

US00D778333S

(12) **United States Design Patent** (10) **Patent No.:** **US D778,333 S**  
**Takatori** (45) **Date of Patent:** **\*\* Feb. 7, 2017**

(54) **LENS FOR LIGHT EMITTING DIODE** 8,939,618 B2 \* 1/2015 Kawahara ..... F21V 5/04  
362/311.09  
(71) Applicant: **ENPLAS CORPORATION,** D727,558 S \* 4/2015 Tang ..... D26/120  
Kawaguchi-shi, Saitama (JP) 2014/0119027 A1 5/2014 Takatori  
2015/0260371 A1 9/2015 Takatori

(72) Inventor: **Hiroshi Takatori,** Kawaguchi (JP)

**FOREIGN PATENT DOCUMENTS**

(73) Assignee: **ENPLAS CORPORATION,** Saitama (JP)

JP D1397487 9/2010  
JP D1403071 12/2010  
JP D1446037 7/2012

(\*\*) Term: **14 Years**

(Continued)

**OTHER PUBLICATIONS**

(21) Appl. No.: **29/522,367**

Decision to Grant Registration, Japanese Patent Application No. 2014-021829, issued Jul. 21, 2015.

(22) Filed: **Mar. 30, 2015**

(Continued)

(30) **Foreign Application Priority Data**

Feb. 16, 2015 (JP) ..... 2015-002966

*Primary Examiner* — Susan Bennett Hattan

(51) **LOC (10) Cl.** ..... **16-06**

*Assistant Examiner* — Jennifer Wright

(52) **U.S. Cl.**

(74) *Attorney, Agent, or Firm* — Staas & Halsey LLP

USPC ..... **D16/134**

(57) **CLAIM**

(58) **Field of Classification Search**

USPC .... 362/249.11, 364, 335, 363; D26/1, 2, 61, D26/65, 66, 68, 69, 72, 74, 76, 86, 87, D26/88, 89, 93, 98, 121, 122, 123–125, D26/128; D16/130–136, 200, 225, 229

The ornamental design for a lens for light emitting diode, as shown.

See application file for complete search history.

**DESCRIPTION**

(56) **References Cited**

**U.S. PATENT DOCUMENTS**

D260,401 S \* 8/1981 Leopoldi ..... D16/135  
D603,438 S \* 11/2009 Takishima ..... D16/130  
D616,005 S \* 5/2010 Peng ..... D16/101  
D630,666 S \* 1/2011 Matsumoto ..... D16/134  
D666,353 S \* 8/2012 Lin ..... D26/124  
D691,322 S \* 10/2013 Tang ..... D26/124  
D691,323 S \* 10/2013 Tang ..... D26/124  
D701,638 S \* 3/2014 Inaba ..... D26/124

FIG. 1 is a front view of the lens for light emitting diode showing the new design;

FIG. 2 is a rear view of FIG. 1;

FIG. 3 is a right side view of FIG. 1, the left side view being a mirror image thereof;

FIG. 4 is a top view of FIG. 1;

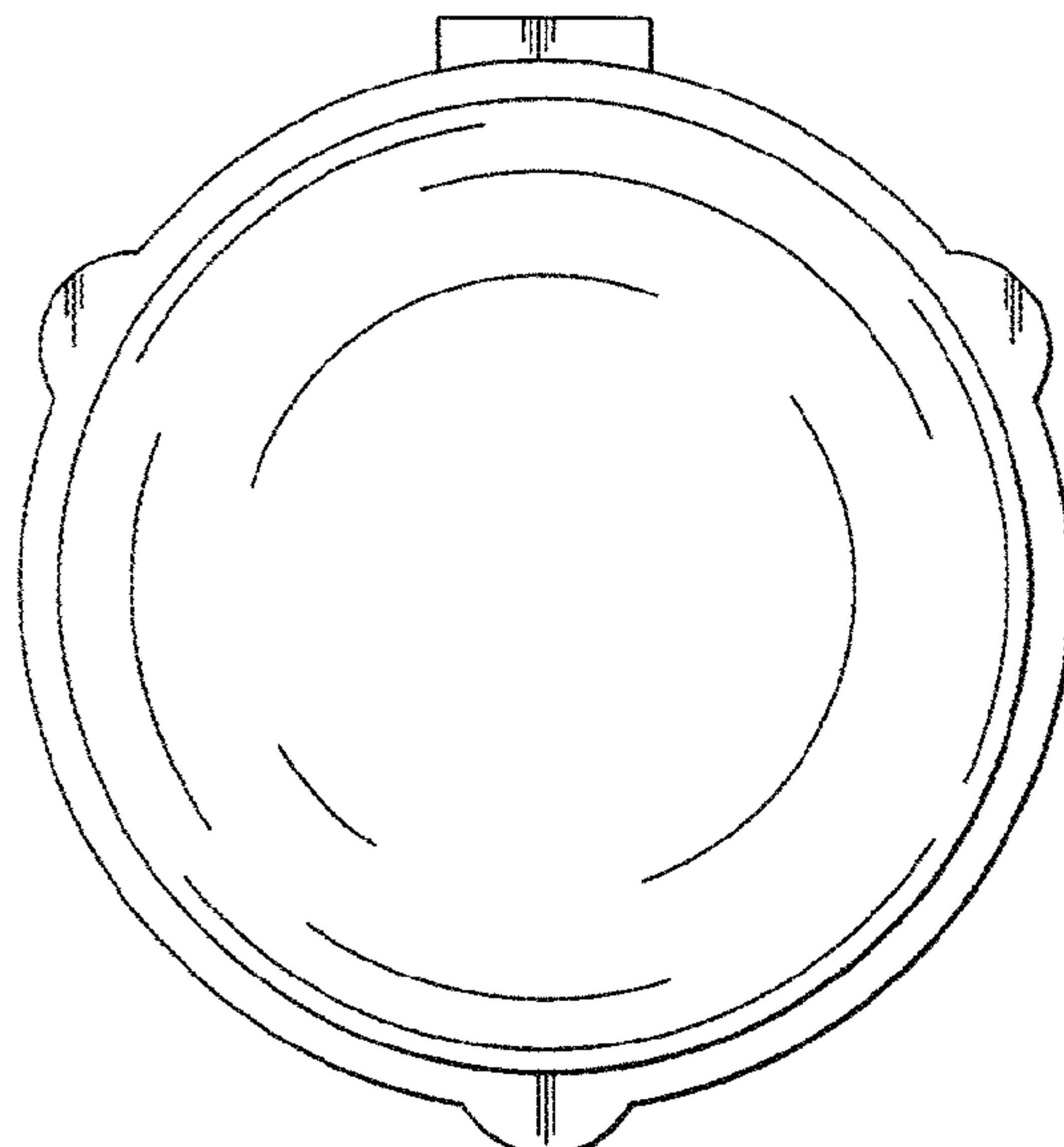
FIG. 5 is a bottom view of FIG. 1;

FIG. 6 is a cross sectional view taken in the direction of line 6-6 in FIG. 2.

FIG. 7 is a front, top and left side perspective view of FIG. 1; and,

FIG. 8 is a rear, top and right side perspective view of FIG. 1.

**1 Claim, 8 Drawing Sheets**



(56)

**References Cited**

FOREIGN PATENT DOCUMENTS

JP	D1459130	1/2013
JP	D1460569	1/2013
JP	D1474061	7/2013
JP	2014-063718	4/2014
JP	2014-086343	5/2014

OTHER PUBLICATIONS

Notification of References, Japanese Patent Application No. 2014-021829, issued Jul. 21, 2015.

Decision to Grant Registration, Japanese Patent Application No. 2015-002966, issued Oct. 26, 2015.

Notification of References, Japanese Patent Application No. 2015-002966, issued Oct. 26, 2015.

Decision to Grant Registration, Japanese Patent Application No. 2015-002967, issued Jul. 21, 2015.

Notification of References, Japanese Patent Application No. 2015-002967, issued Jul. 21, 2015.

U.S. Appl. No. 29/522,363, filed Mar. 30, 2015, Yuichi Suzuki et al., Enplas Corporation.

U.S. Appl. No. 29/522,371, filed Mar. 30, 2015, Hiroshi Takatori et al., Enplas Corporation.

U.S. Appl. No. 29/620,175, filed Aug. 4, 2016, Yu Kamijo, Enplas Corporation.

\* cited by examiner

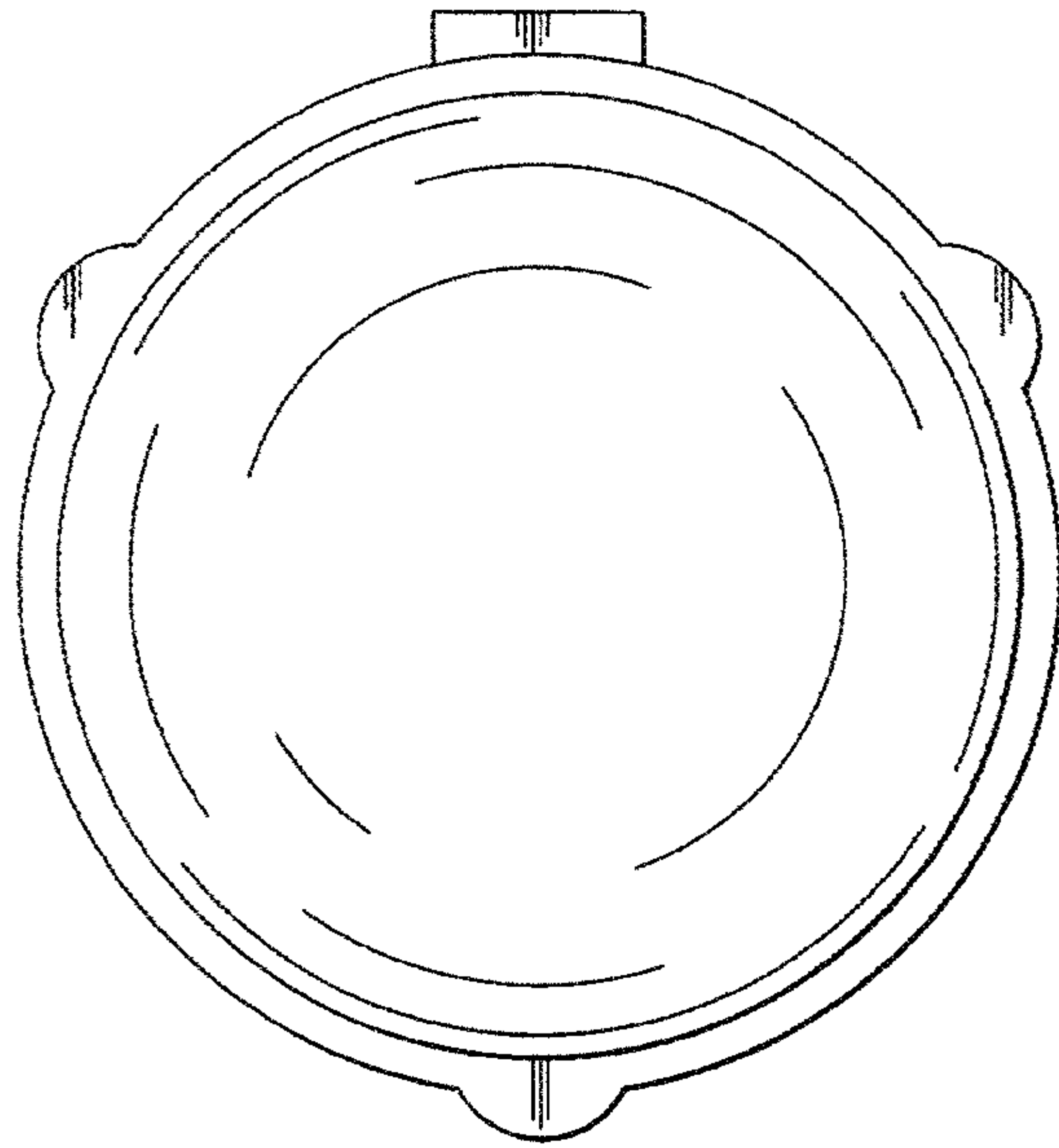


FIG. 1

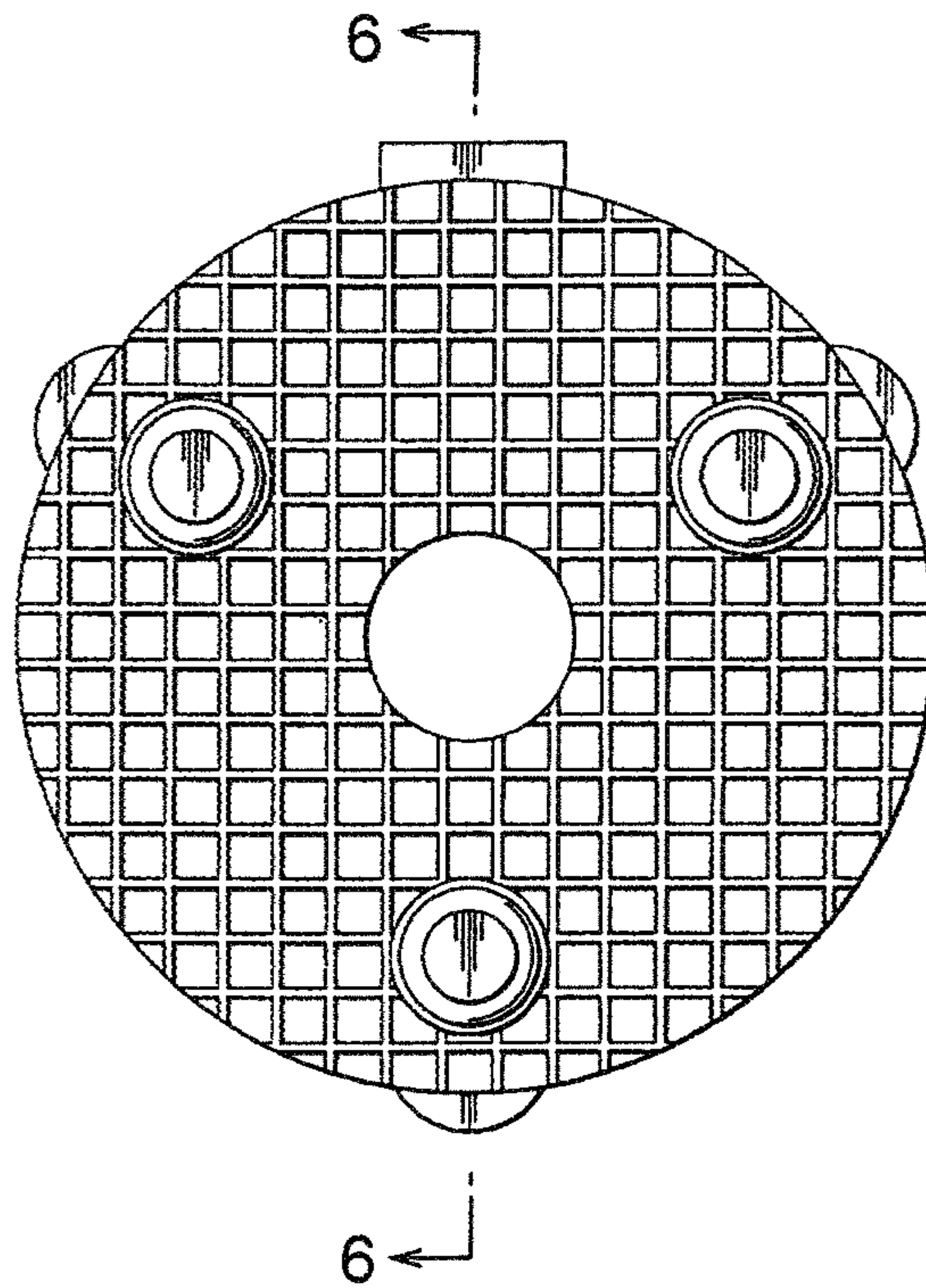


FIG. 2

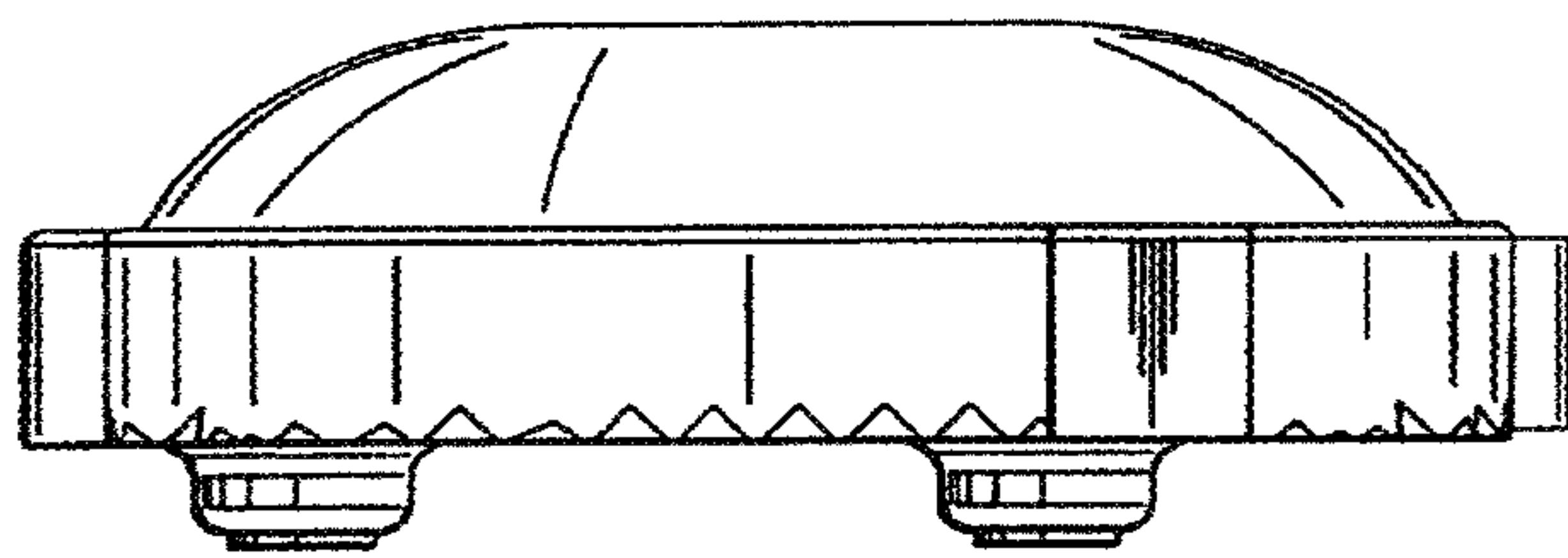


FIG. 3

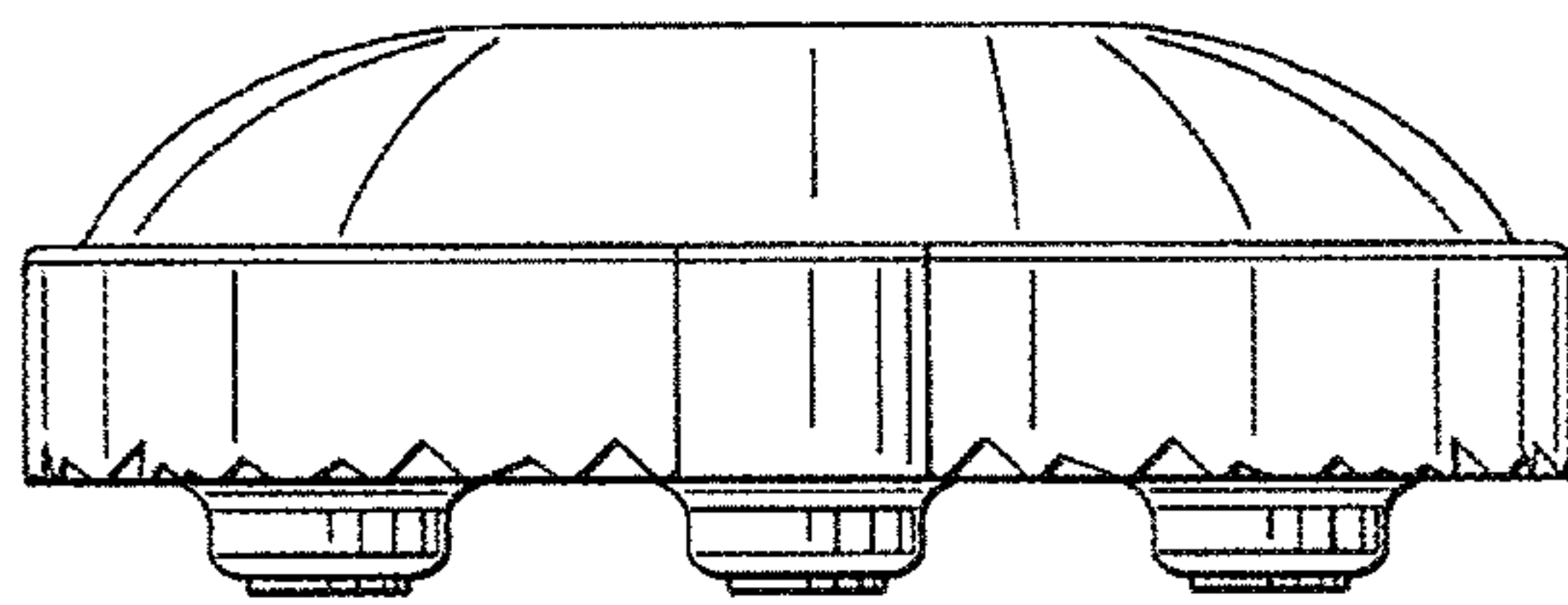


FIG. 4

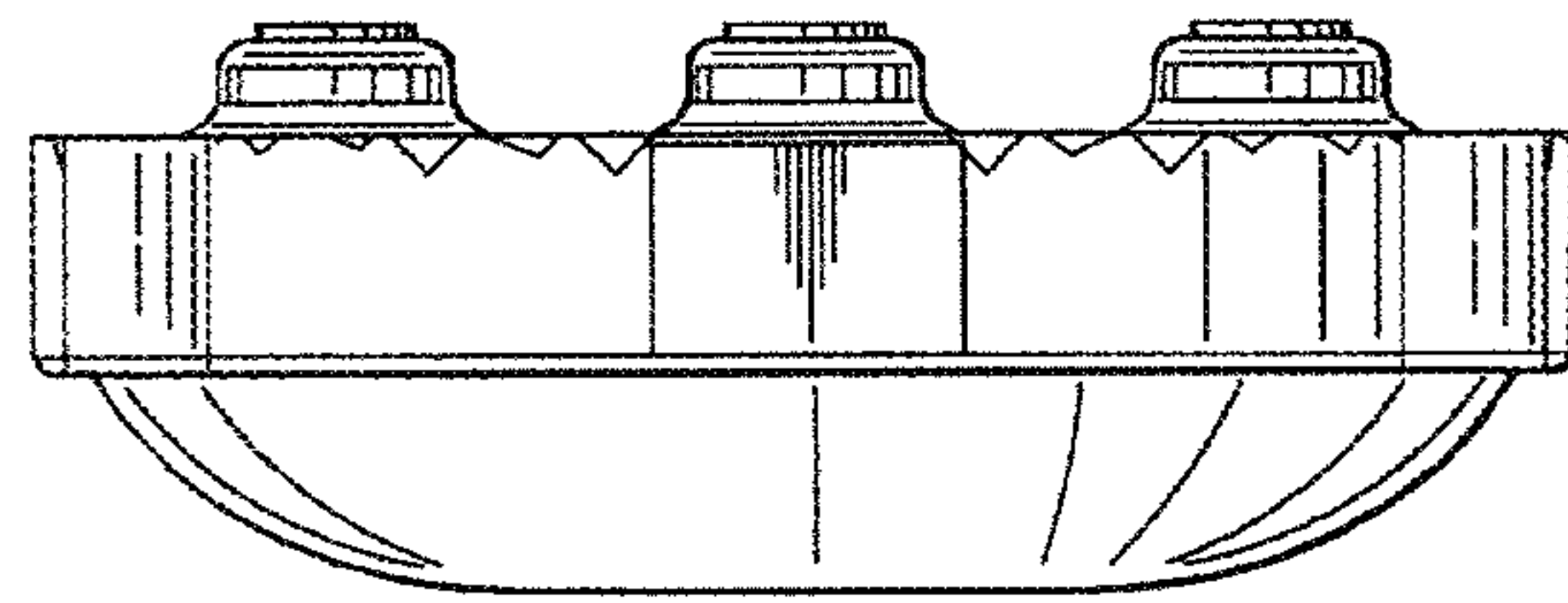


FIG. 5

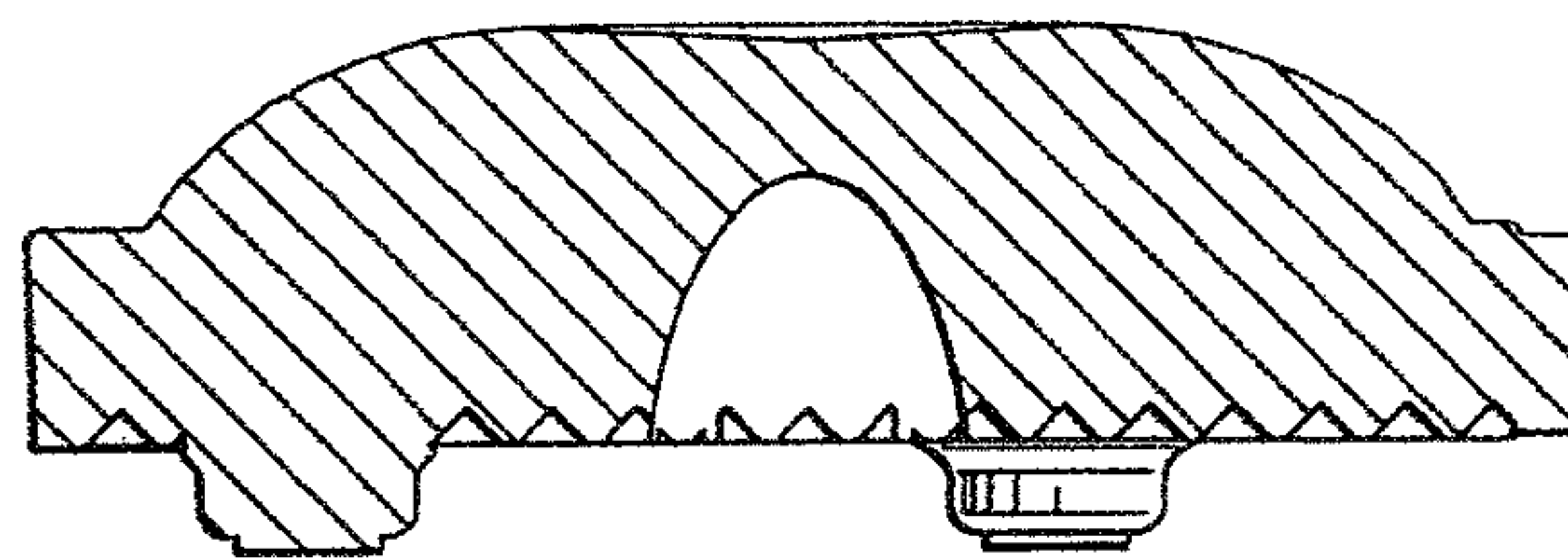


FIG. 6



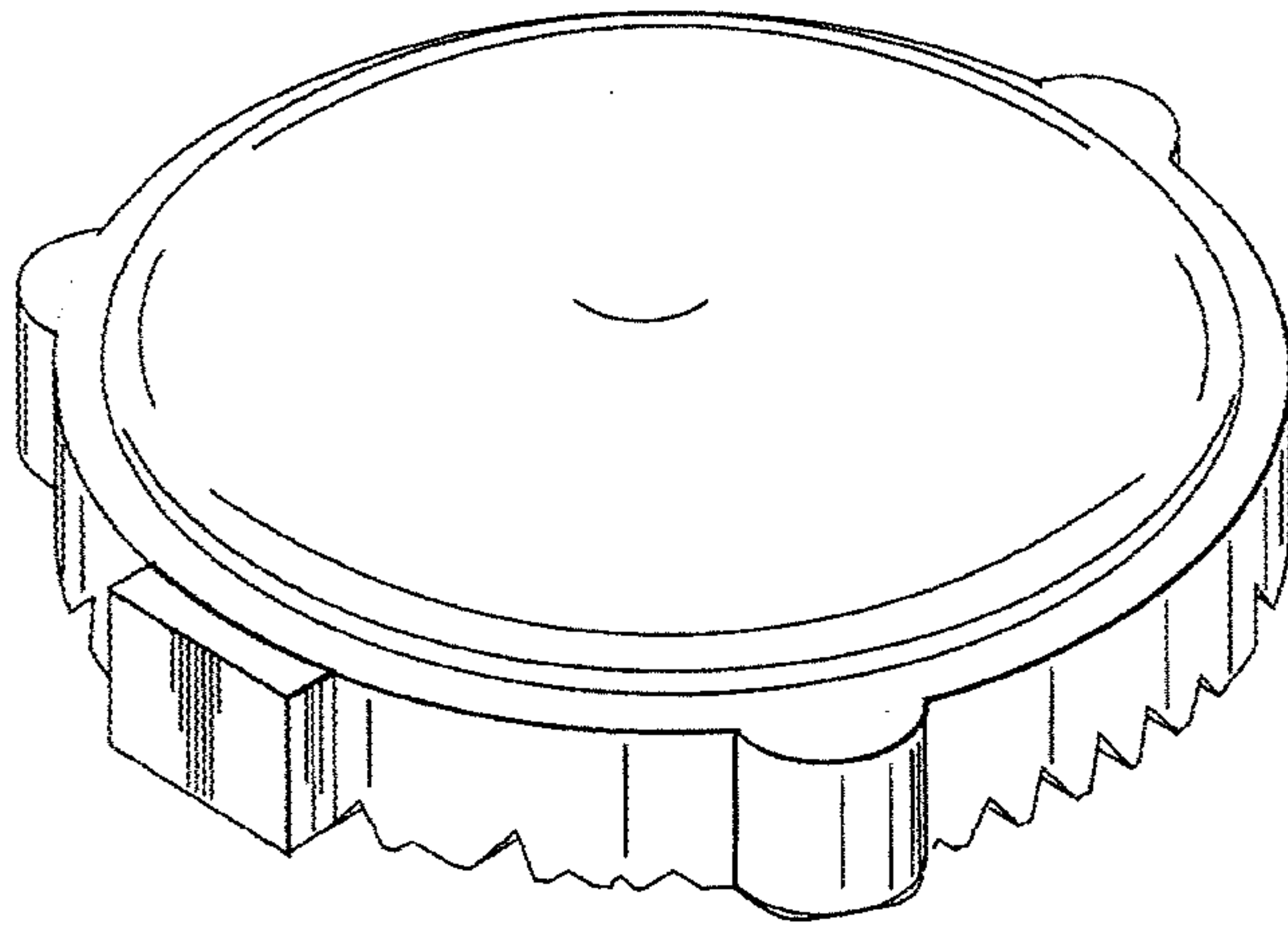


FIG. 7

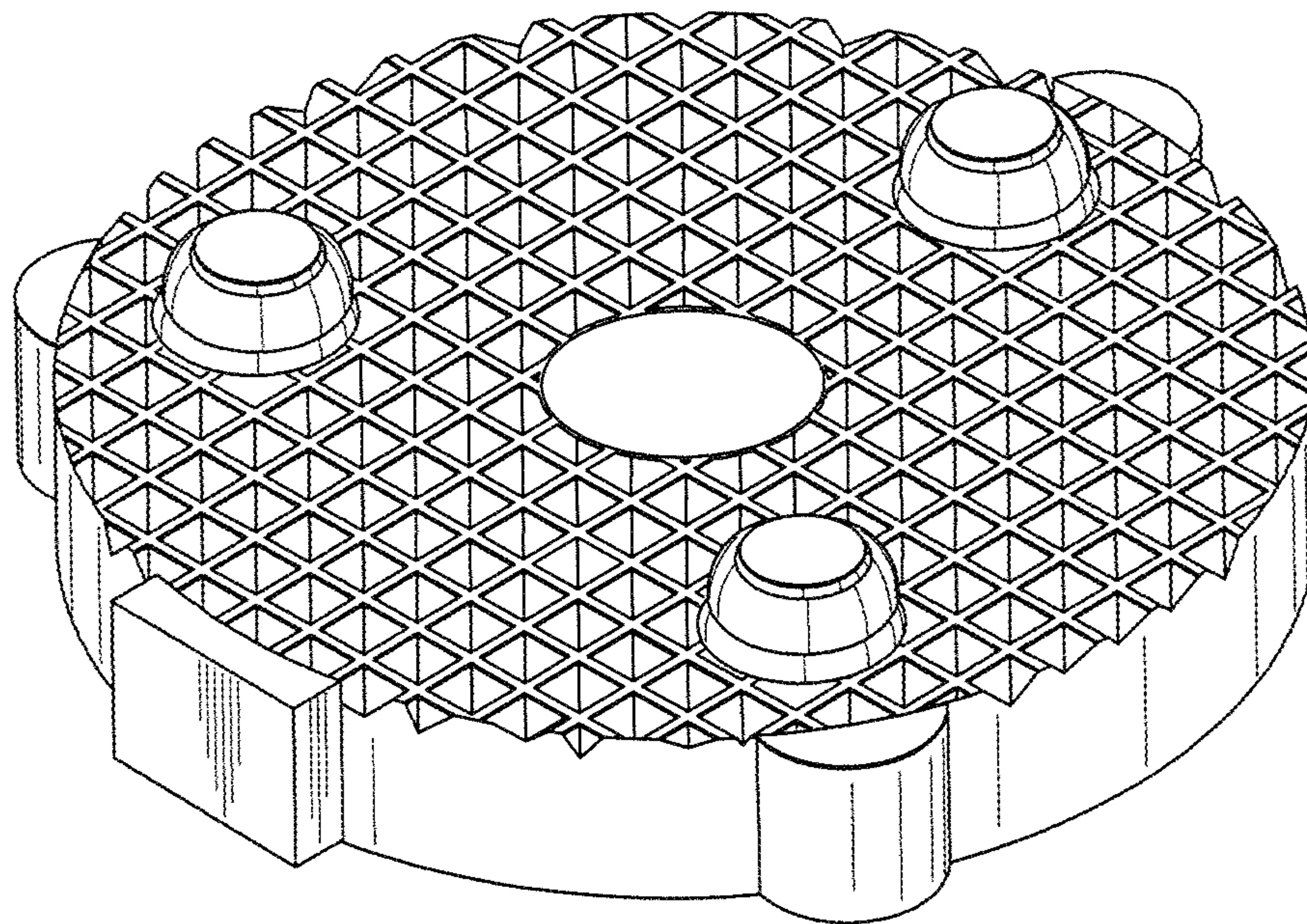


FIG.8

UNITED STATES PATENT AND TRADEMARK OFFICE  
**CERTIFICATE OF CORRECTION**

PATENT NO. : D778,333 S  
APPLICATION NO. : 29/522367  
DATED : February 7, 2017  
INVENTOR(S) : Hiroshi Takatori

Page 1 of 1

It is certified that error appears in the above-identified patent and that said Letters Patent is hereby corrected as shown below:

On the Title Page

In Column 2, under the subheading DESCRIPTION, please correct the following:

Line 34, Delete "FIG. 4 is a top view of FIG. 1;" and insert -- FIG. 4 is a bottom view of FIG. 1; --

Line 35, Delete "FIG. 5 is a bottom view of FIG. 1;" and insert -- FIG. 5 is a top view of FIG. 1; --

Signed and Sealed this  
Fifth Day of September, 2017



Joseph Matal  
*Performing the Functions and Duties of the  
Under Secretary of Commerce for Intellectual Property and  
Director of the United States Patent and Trademark Office*