



US00D778331S

(12) **United States Design Patent**  
**Ide et al.**

(10) **Patent No.:** **US D778,331 S**

(45) **Date of Patent:** **\*\* Feb. 7, 2017**

(54) **WIRE FEEDING APPARATUS FOR WELDING**

(71) Applicant: **DAIHEN CORPORATION**,  
Osaka-shi, Osaka (JP)

(72) Inventors: **Daichi Ide**, Osaka (JP); **Ryuji Tanaka**,  
Osaka (JP); **Junichi Wakita**, Osaka  
(JP); **Yukiya Morita**, Osaka (JP); **Hisao  
Miyahara**, Osaka (JP); **Gen Tsujii**,  
Osaka (JP)

(73) Assignee: **DAIHEN CORPORATION**, Osaka  
(JP)

(\*\*) Term: **15 Years**

(21) Appl. No.: **29/559,148**

(22) Filed: **Mar. 24, 2016**

(30) **Foreign Application Priority Data**

Sep. 30, 2015 (JP) ..... 2015-021510

(51) **LOC (10) Cl.** ..... **15-09**

(52) **U.S. Cl.**  
USPC ..... **D15/144**

(58) **Field of Classification Search**  
USPC ..... D8/29.1, 30; D15/144, 144.1, 144.2  
See application file for complete search history.

(56) **References Cited**

**U.S. PATENT DOCUMENTS**

2,880,305 A \* 3/1959 Baird ..... B23K 9/1336  
219/137.31

D243,459 S \* 2/1977 Bliss ..... D15/144

D275,293 S \* 8/1984 Bouman ..... D15/144

D280,329 S \* 8/1985 Bouman ..... D15/144  
D357,263 S \* 4/1995 Soderholm ..... D15/144.2  
D357,927 S \* 5/1995 Soderholm ..... D15/144.1  
5,465,917 A \* 11/1995 Kosch ..... B65H 59/06  
242/128  
D434,428 S \* 11/2000 Kriek ..... D15/144.2  
6,479,795 B1 \* 11/2002 Albrecht ..... B23K 9/124  
219/136

(Continued)

**FOREIGN PATENT DOCUMENTS**

JP 1206811 S 5/2004  
JP 1402705 S 12/2010

(Continued)

*Primary Examiner* — Patricia Palasik

(74) *Attorney, Agent, or Firm* — Kilpatrick Townsend &  
Stockton LLP

(57) **CLAIM**

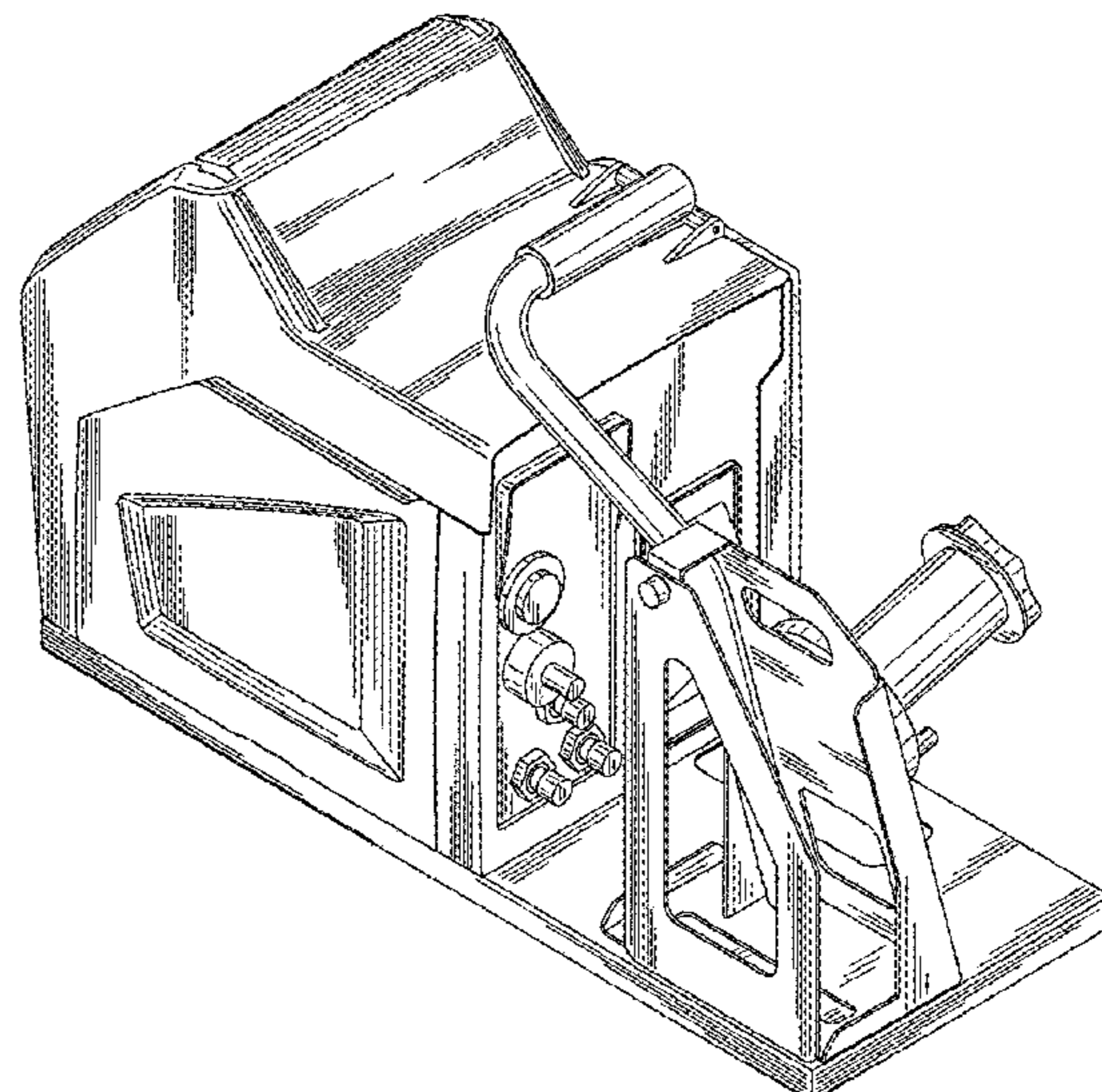
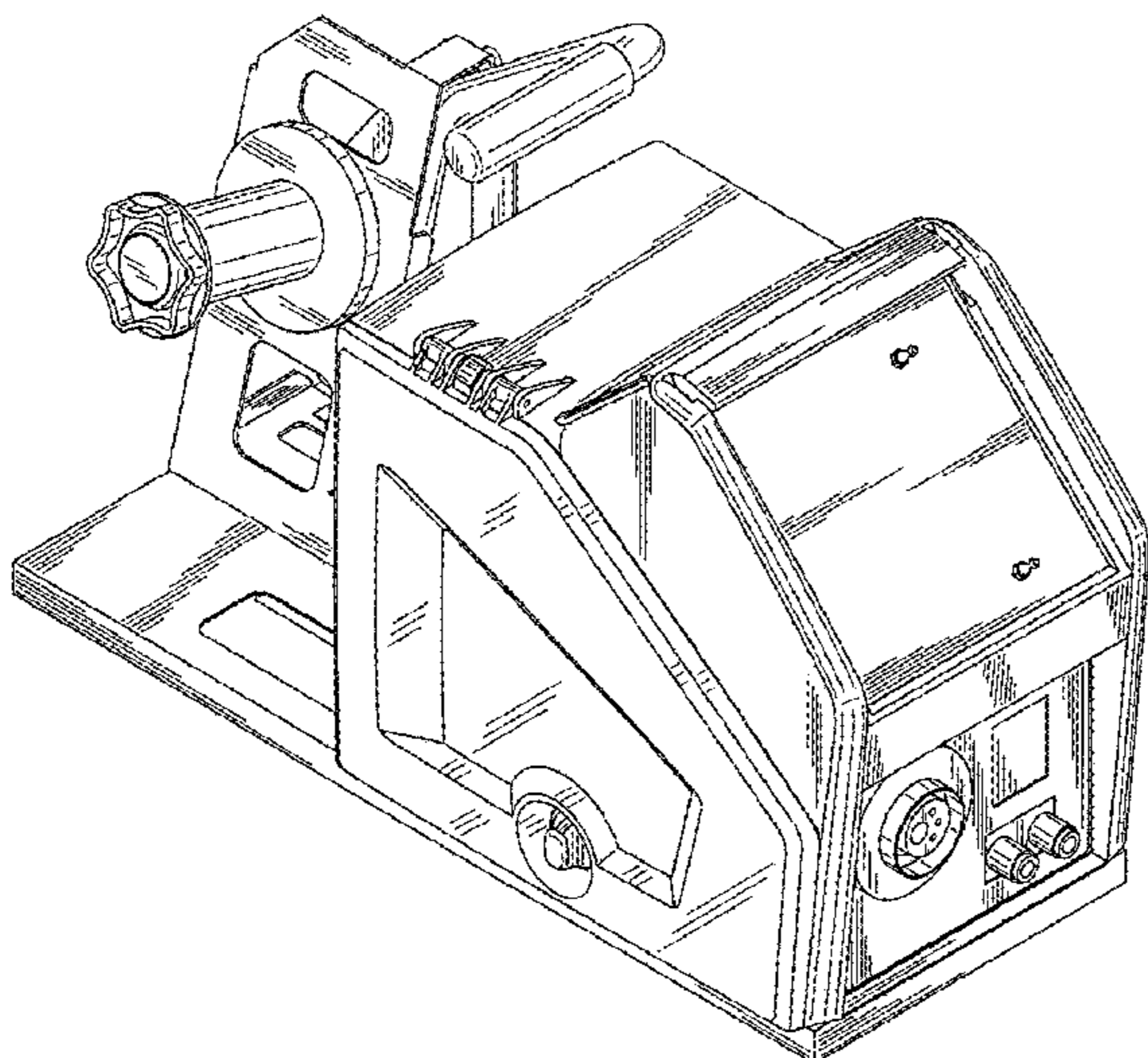
The ornamental design for a wire feeding apparatus for  
welding, as shown and described.

**DESCRIPTION**

FIG. 1 is a front, top, and right side perspective view of a  
wire feeding apparatus for welding showing our new design;  
FIG. 2 is a rear, top, and left side perspective view thereof;  
FIG. 3 is a front view thereof;  
FIG. 4 is a rear view thereof;  
FIG. 5 is a top plan view thereof;  
FIG. 6 is a bottom plan view thereof;  
FIG. 7 is a right side view thereof; and,  
FIG. 8 is a left side view thereof.

The oblique line shading shown in the drawings indicates a  
transparent or translucent surface. Internal structure of the  
transparent or translucent surface is omitted. No claim is  
made to any elements inside the transparent or translucent  
surface.

**1 Claim, 8 Drawing Sheets**



(56)

References Cited

U.S. PATENT DOCUMENTS

D467,257 S \* 12/2002 Andersson ..... D15/144  
 D518,078 S \* 3/2006 Persson ..... D15/144.1  
 D520,038 S \* 5/2006 Ljungfeldt ..... D15/144.1  
 D569,883 S \* 5/2008 Wang ..... D15/144  
 D569,884 S \* 5/2008 Shu ..... D15/144  
 D590,852 S \* 4/2009 Killion ..... D15/144  
 D621,430 S \* 8/2010 Christen ..... D15/144  
 D623,205 S \* 9/2010 Flattinger ..... D15/144  
 D626,576 S \* 11/2010 Gramatyka ..... D15/144  
 D642,604 S \* 8/2011 Rohrer ..... D15/144  
 D652,436 S \* 1/2012 Ostlund ..... D15/144  
 D653,271 S \* 1/2012 Kindig ..... D15/144  
 D654,519 S \* 2/2012 Wujczak ..... D15/144  
 D654,521 S \* 2/2012 Flubacher ..... D15/144  
 D665,434 S \* 8/2012 Mueller ..... D15/144  
 D665,833 S \* 8/2012 Raymond ..... D15/144  
 D679,738 S \* 4/2013 Segala ..... D15/144  
 D727,986 S \* 4/2015 Matiash ..... D15/144  
 D733,777 S \* 7/2015 Miller ..... D15/144  
 2004/0182845 A1\* 9/2004 Crisler, III ..... B23K 9/1006  
 219/130.1  
 2005/0199606 A1\* 9/2005 Enyedy ..... B23K 9/1336  
 219/137.7

2006/0157461 A1\* 7/2006 Diekmann ..... B23K 9/1336  
 219/137.71  
 2006/0207981 A1\* 9/2006 Diekmann ..... B23K 9/1336  
 219/137.2  
 2007/0039934 A1\* 2/2007 Enyedy ..... B23K 9/1336  
 219/137.71  
 2007/0284352 A1\* 12/2007 Lynaugh ..... B23K 9/323  
 219/137.2  
 2008/0156783 A1\* 7/2008 Vanden Heuvel ..... B23K 9/125  
 219/137.2  
 2009/0166345 A1\* 7/2009 Enyedy ..... B23K 9/133  
 219/137.2  
 2009/0277882 A1\* 11/2009 Bornemann ..... B23K 10/00  
 219/121.39  
 2010/0051595 A1\* 3/2010 Diedrick ..... B23K 9/124  
 219/137 R  
 2010/0314373 A1\* 12/2010 Patterson ..... B65H 51/14  
 219/136  
 2014/0238965 A1\* 8/2014 Spisic ..... B23K 9/1087  
 219/132

FOREIGN PATENT DOCUMENTS

JP 1512449 S 11/2014  
 JP 1512450 S 11/2014  
 JP 1512451 S 11/2014

\* cited by examiner

**FIG. 1**

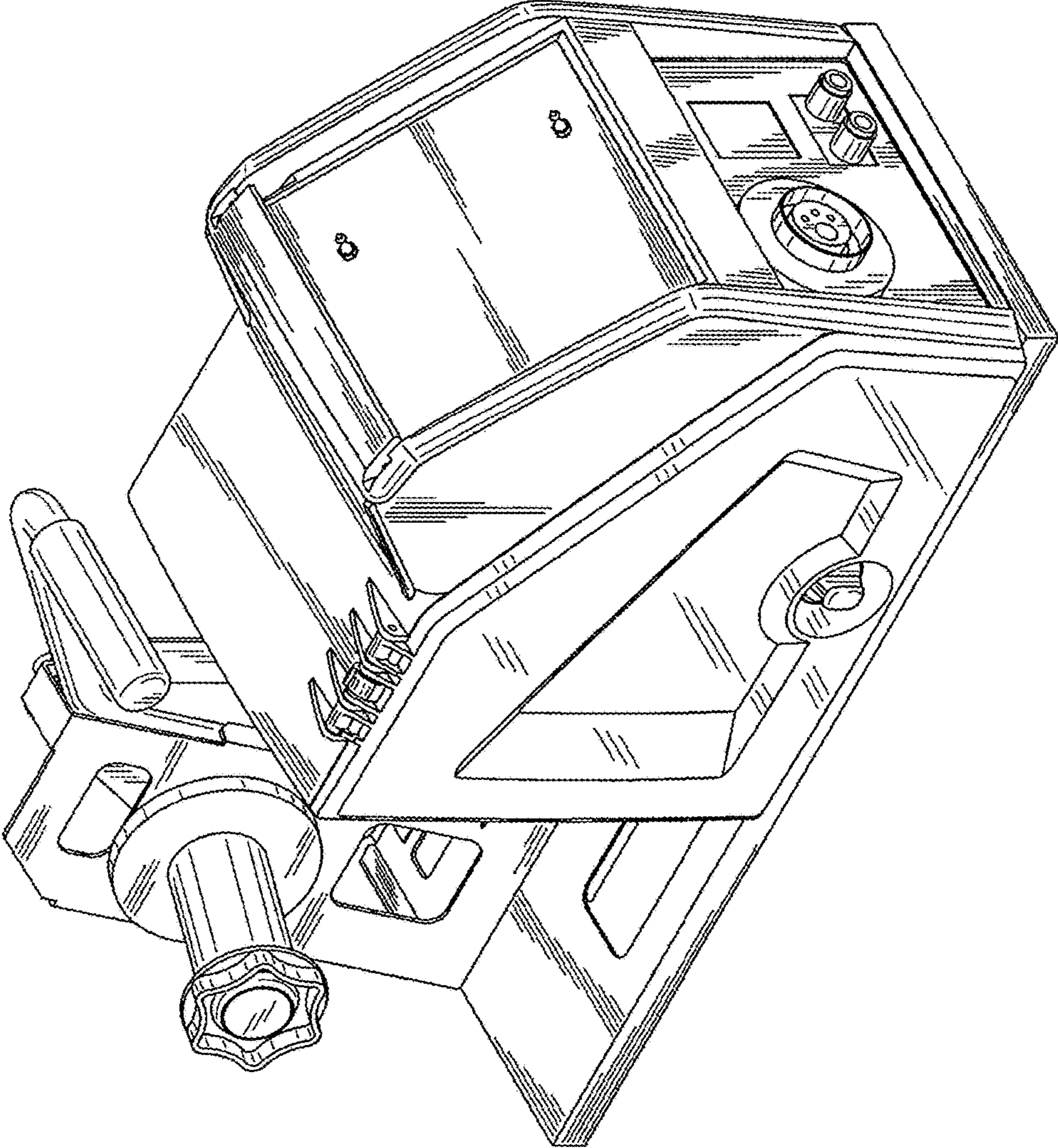
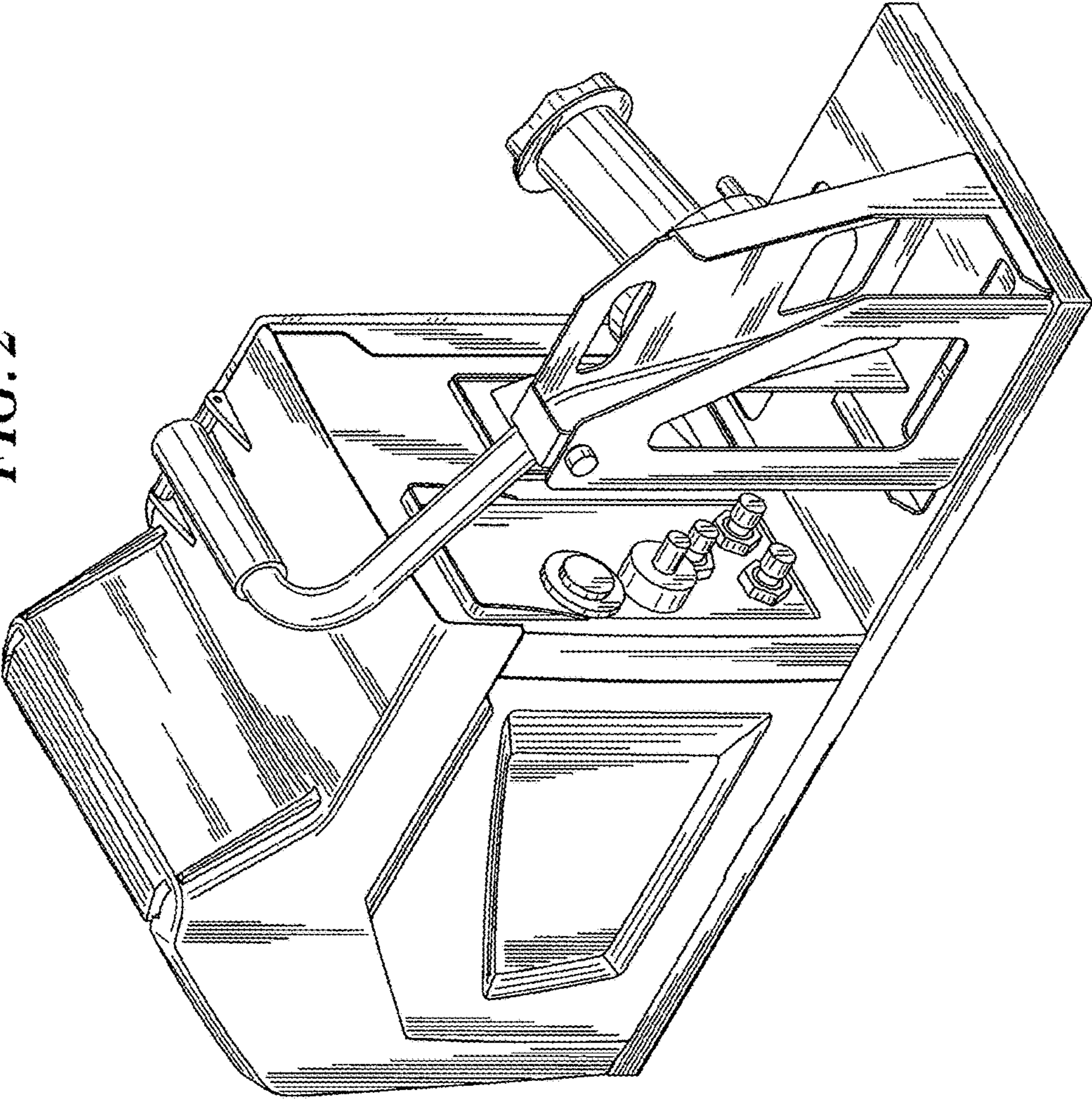
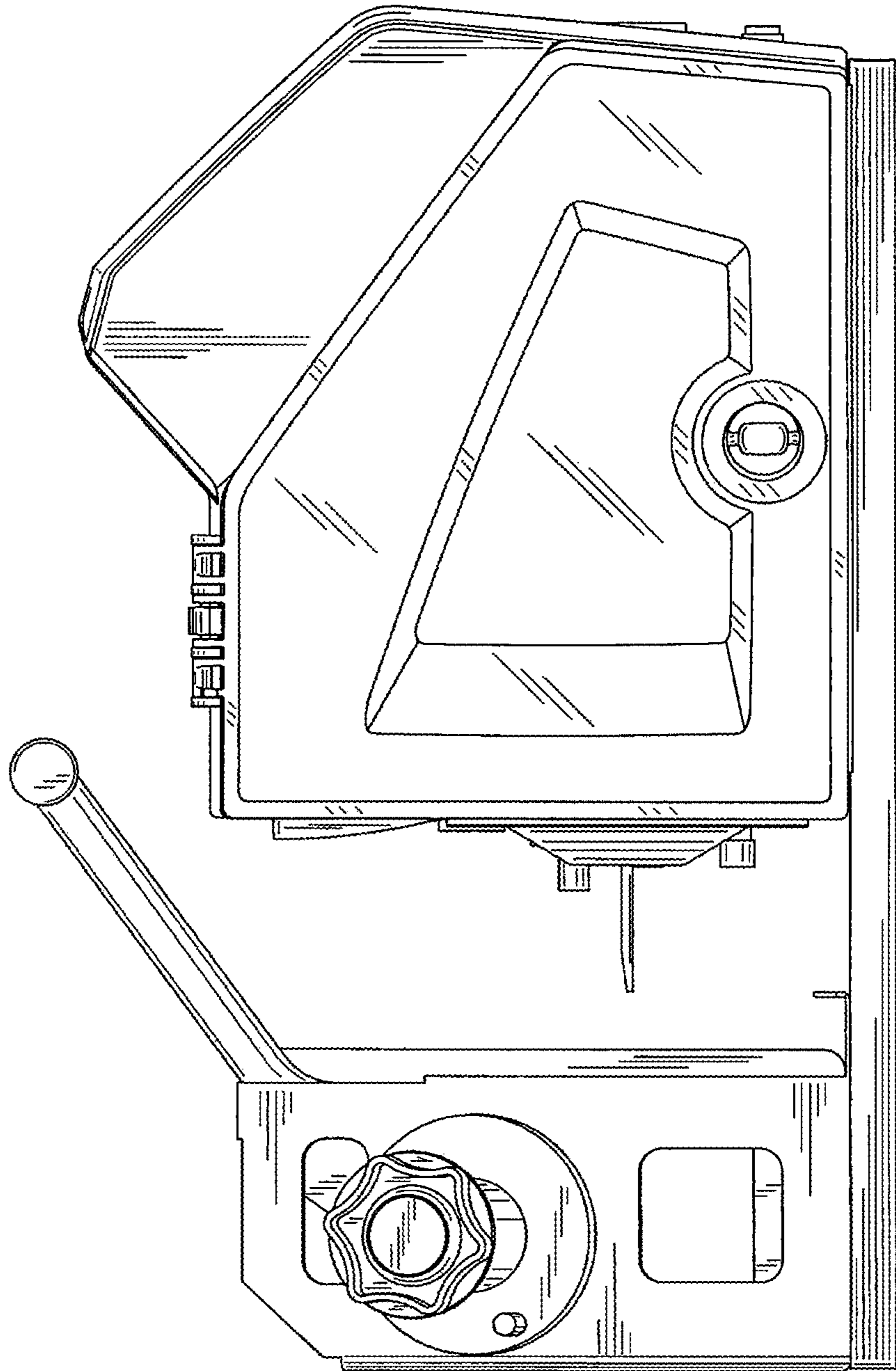


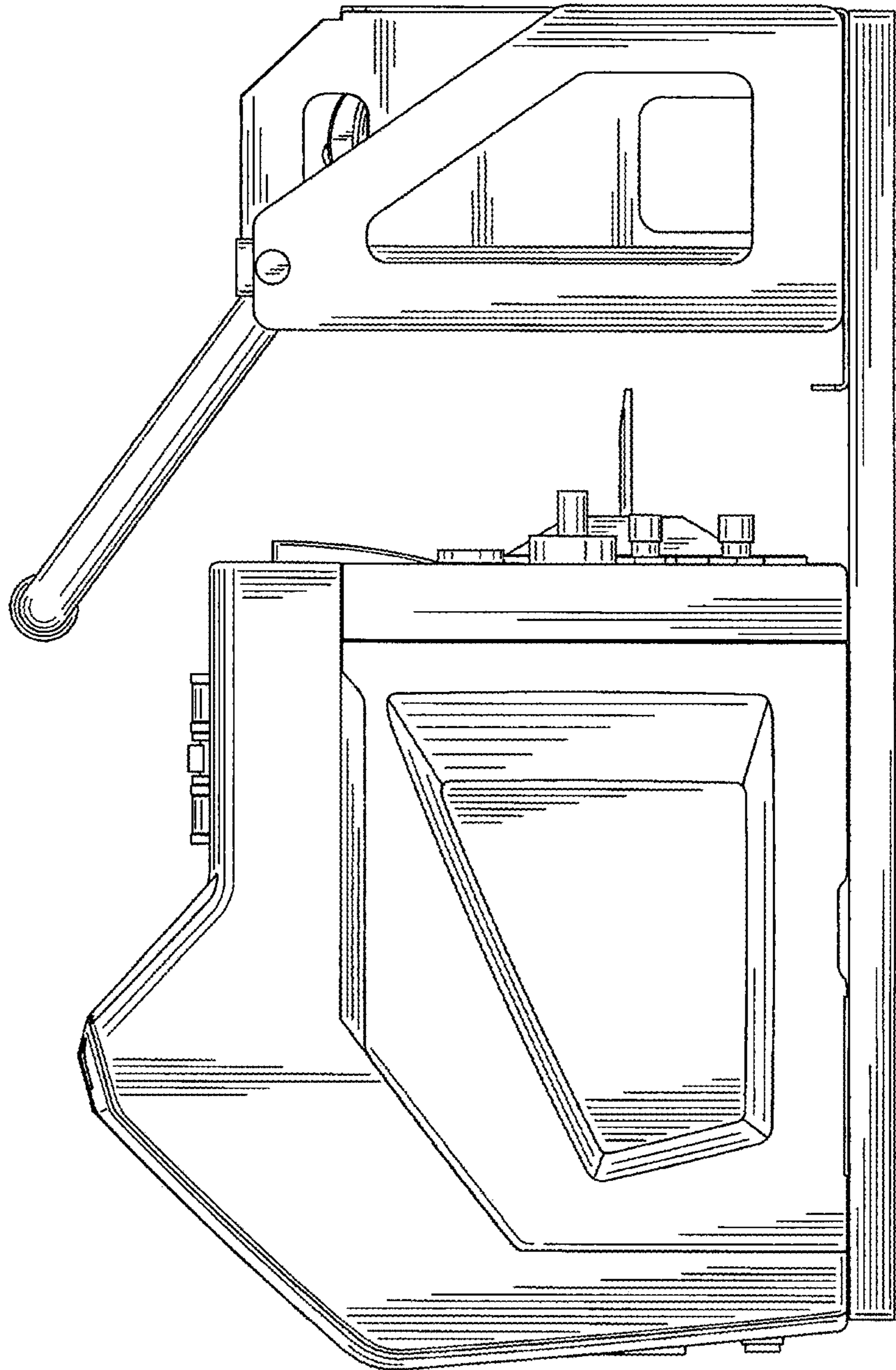
FIG. 2



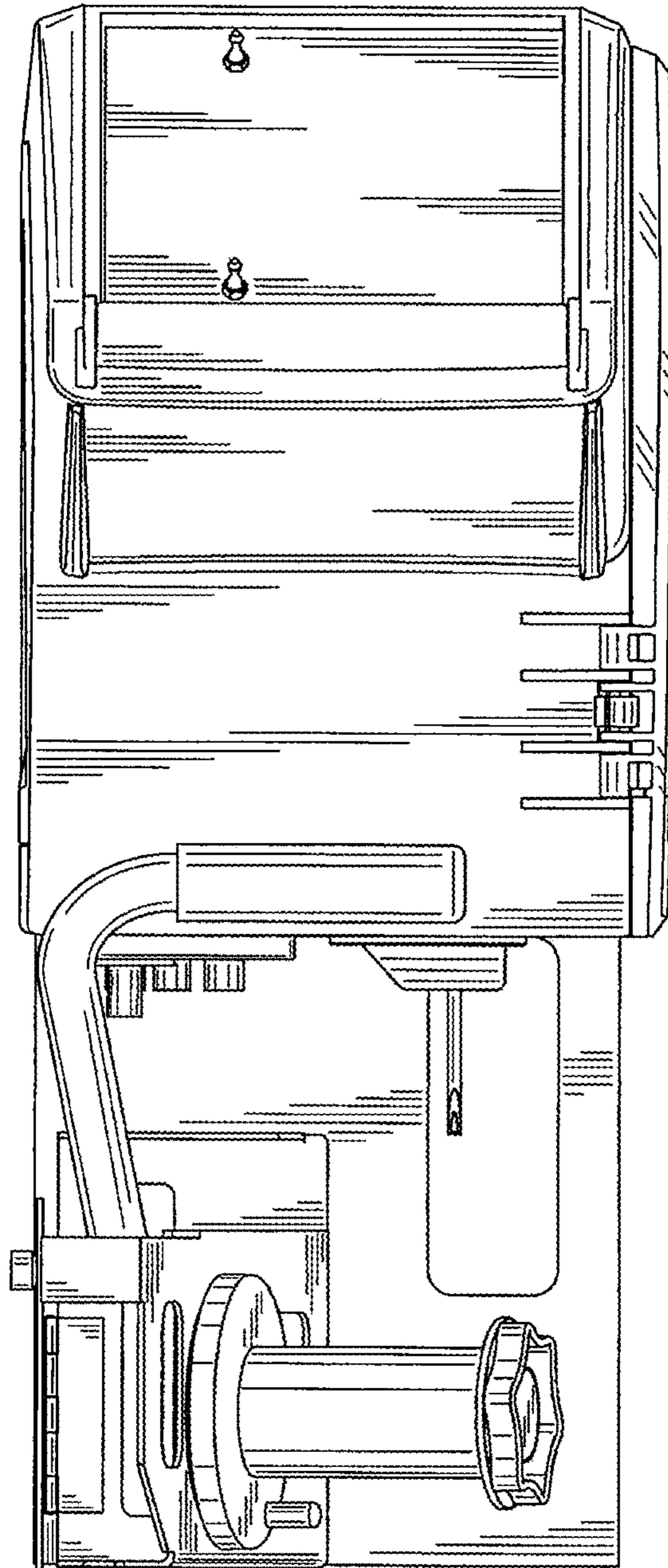
**FIG. 3**



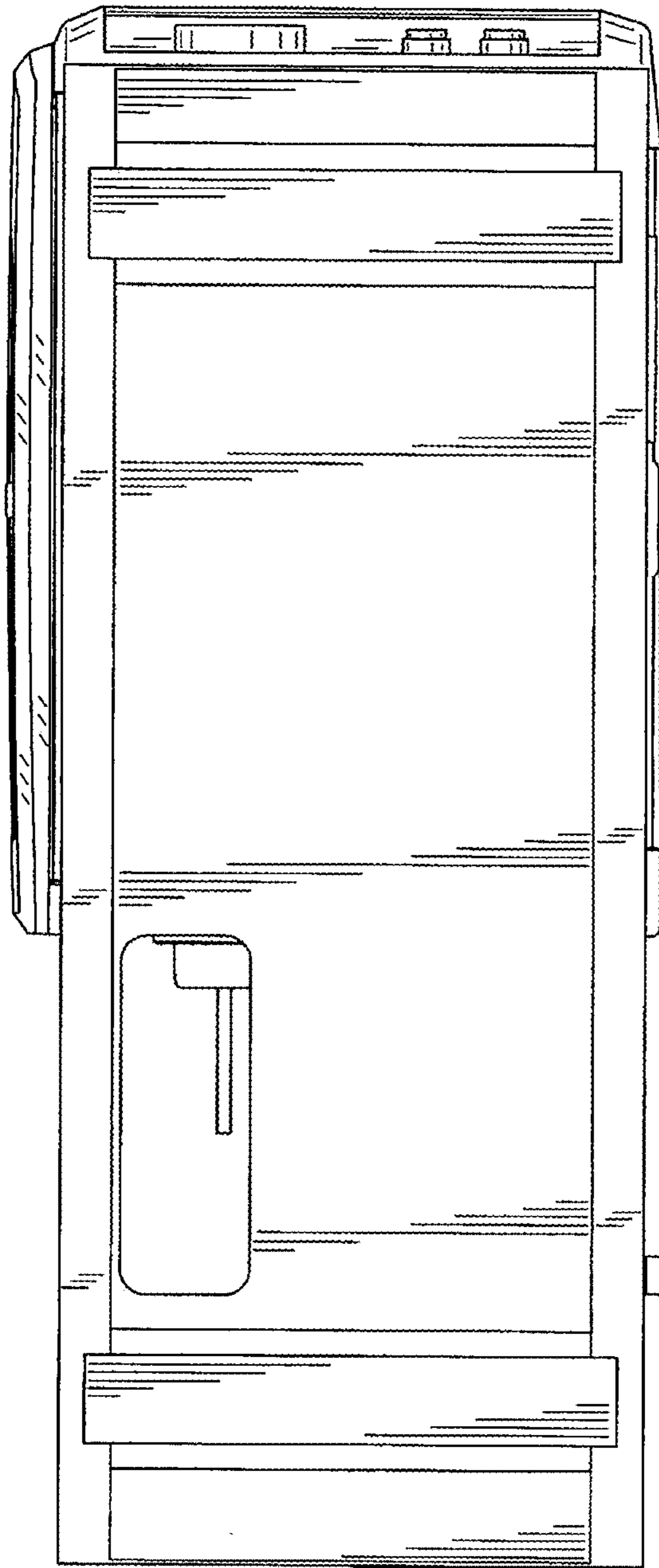
**FIG. 4**



**FIG. 5**

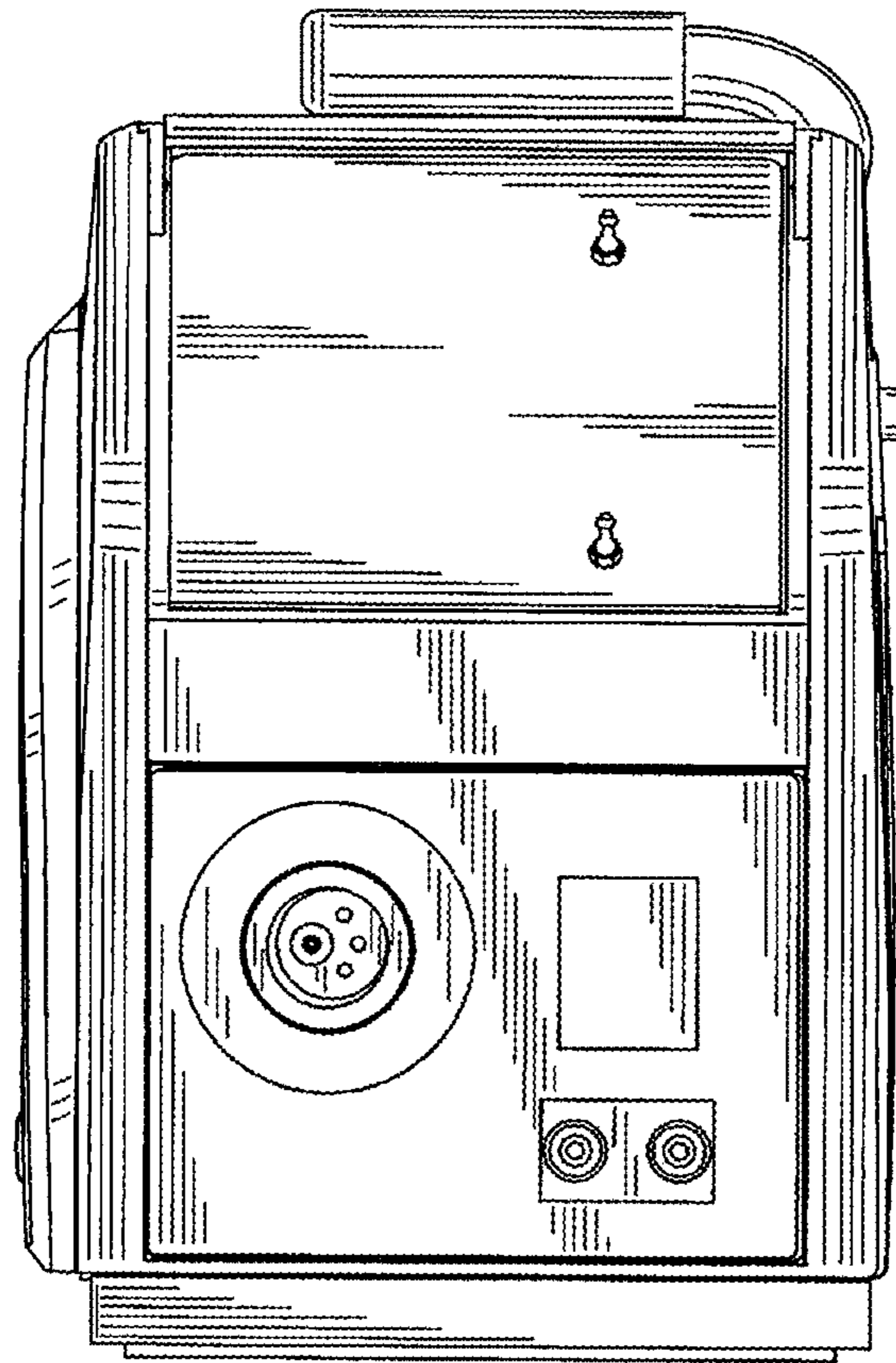


*FIG. 6*





*FIG. 7*



*FIG. 8*

