



US00D778328S

(12) **United States Design Patent**  
**Miller**

(10) **Patent No.:** **US D778,328 S**

(45) **Date of Patent:** **\*\* Feb. 7, 2017**

- (54) **POST PULLING DEVICE**
- (71) Applicant: **Jesse Miller**, Lacombe (CA)
- (72) Inventor: **Jesse Miller**, Lacombe (CA)
- (\*\*) Term: **15 Years**
- (21) Appl. No.: **29/543,269**
- (22) Filed: **Oct. 22, 2015**
- (51) **LOC (10) Cl.** ..... **15-03**
- (52) **U.S. Cl.**  
USPC ..... **D15/28**
- (58) **Field of Classification Search**  
USPC ..... D8/51; D15/28; 294/111, 102.1; 254/30,  
254/133 R  
CPC ..... B66C 1/00; E04H 17/265; E21B 19/00;  
E02D 9/02  
See application file for complete search history.

- 7,137,616 B2 \* 11/2006 Kysely ..... E04H 17/265  
254/30
- 7,290,754 B2 \* 11/2007 Mensi ..... E04H 17/265  
254/133 R
- D609,540 S \* 2/2010 Oberg ..... D8/51
- 7,963,051 B2 \* 6/2011 Ford ..... B66C 1/16  
254/30
- D657,218 S \* 4/2012 Wilder ..... D8/51
- 8,166,676 B2 \* 5/2012 Ford ..... B66C 1/16  
254/30
- 8,282,077 B1 \* 10/2012 Bonney ..... A01G 23/02  
254/132
- 8,375,606 B2 \* 2/2013 Ford ..... B66C 1/16  
37/195
- 8,444,361 B1 5/2013 Hershey
- 9,187,927 B1 \* 11/2015 Hamel ..... E04H 17/265
- 2007/0090332 A1 \* 4/2007 Mensi ..... E04H 17/265  
254/30

(Continued)

*Primary Examiner* — Mark Goodwin  
(74) *Attorney, Agent, or Firm* — Robert C. Montgomery;  
Montgomery Patent and Design LLC

(56) **References Cited**

U.S. PATENT DOCUMENTS

- 791,968 A 6/1905 Wiley
- 1,218,714 A 3/1917 Sunderland et al.
- 1,699,480 A 1/1929 Snow, Jr.
- 2,215,935 A 9/1940 Pyeatt
- 4,422,621 A \* 12/1983 Ekern ..... E04H 17/265  
254/30
- 4,856,836 A 8/1989 Delphin
- 5,242,152 A \* 9/1993 Schatz ..... E04H 17/265  
254/30
- 5,464,192 A \* 11/1995 Burnham ..... E04H 17/265  
254/30
- 6,367,779 B1 \* 4/2002 Martin ..... E04H 17/265  
254/243
- 6,641,347 B2 11/2003 Ewington
- 6,669,172 B1 \* 12/2003 Bearden ..... E04H 17/265  
254/29 R
- 7,059,587 B1 \* 6/2006 Fimple ..... E04H 17/265  
254/133 R

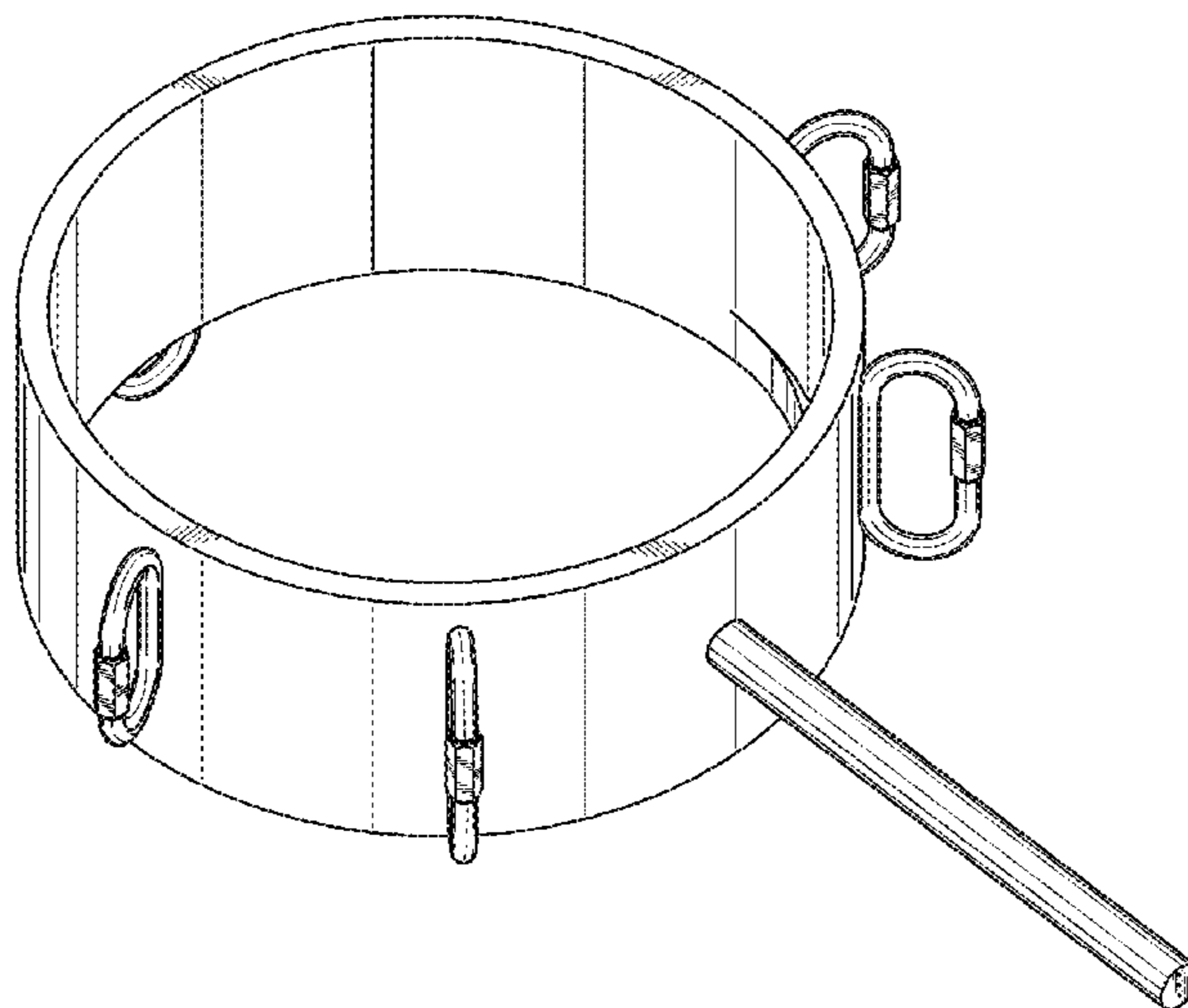
(57) **CLAIM**

The ornamental design for a post pulling device, as shown and described.

**DESCRIPTION**

FIG. 1 is a front perspective view of a post pulling device, showing my new design;  
FIG. 2 is a rear perspective view thereof;  
FIG. 3 is a front elevation view thereof;  
FIG. 4 is a rear elevation view thereof;  
FIG. 5 is a left side elevation view thereof, wherein a right side elevation view is a mirror image thereof;  
FIG. 6 is a top plan view; and,  
FIG. 7 is a bottom plan view thereof.

**1 Claim, 6 Drawing Sheets**



(56)

**References Cited**

U.S. PATENT DOCUMENTS

2012/0074362 A1\* 3/2012 Sanchez ..... E04H 17/265  
254/30  
2012/0321416 A1 12/2012 Nobles  
2013/0069025 A1\* 3/2013 Schooley ..... E04H 17/265  
254/30  
2016/0222695 A1\* 8/2016 Hoovler ..... E04H 17/265

\* cited by examiner

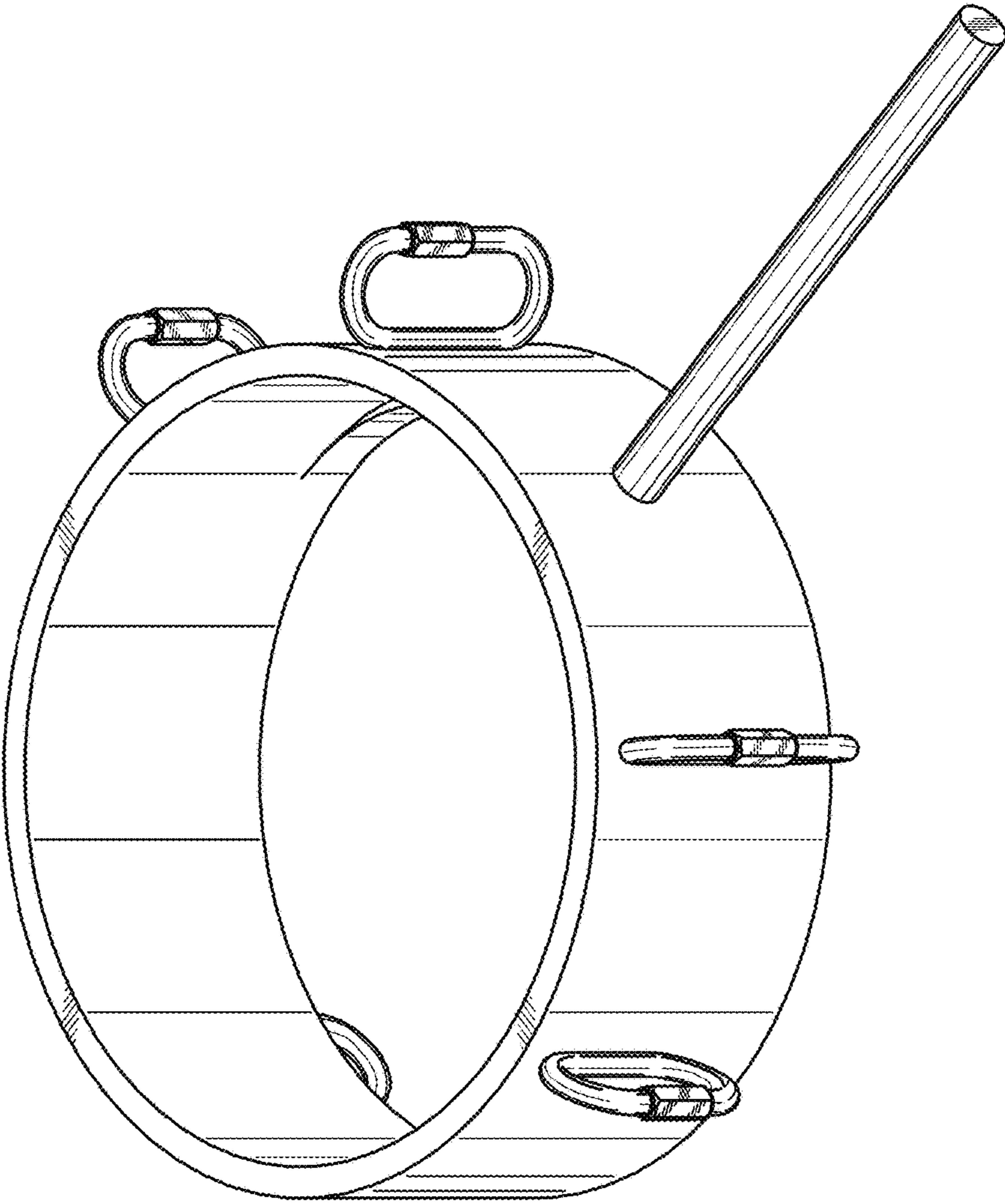


FIG. 1

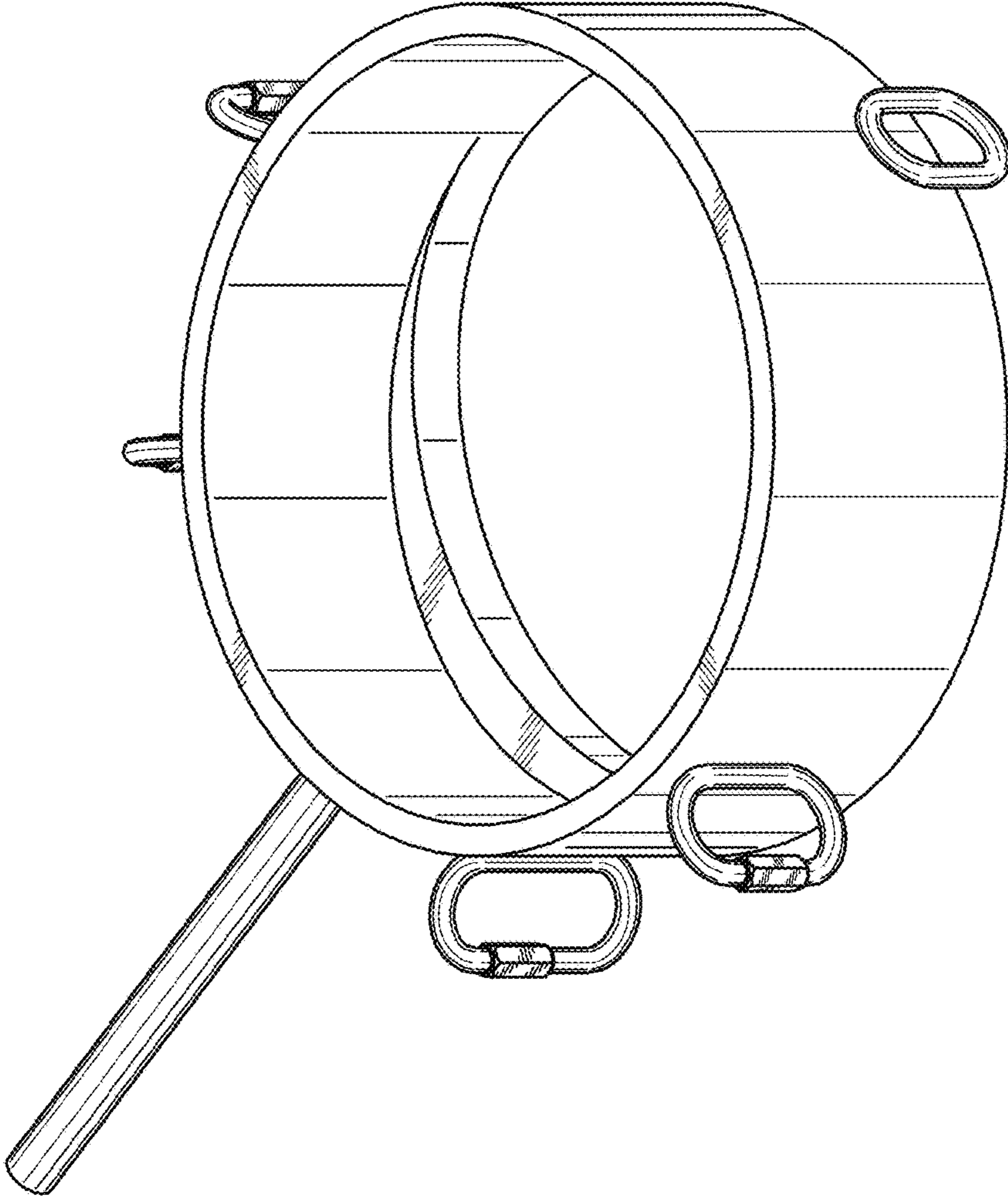


FIG. 2

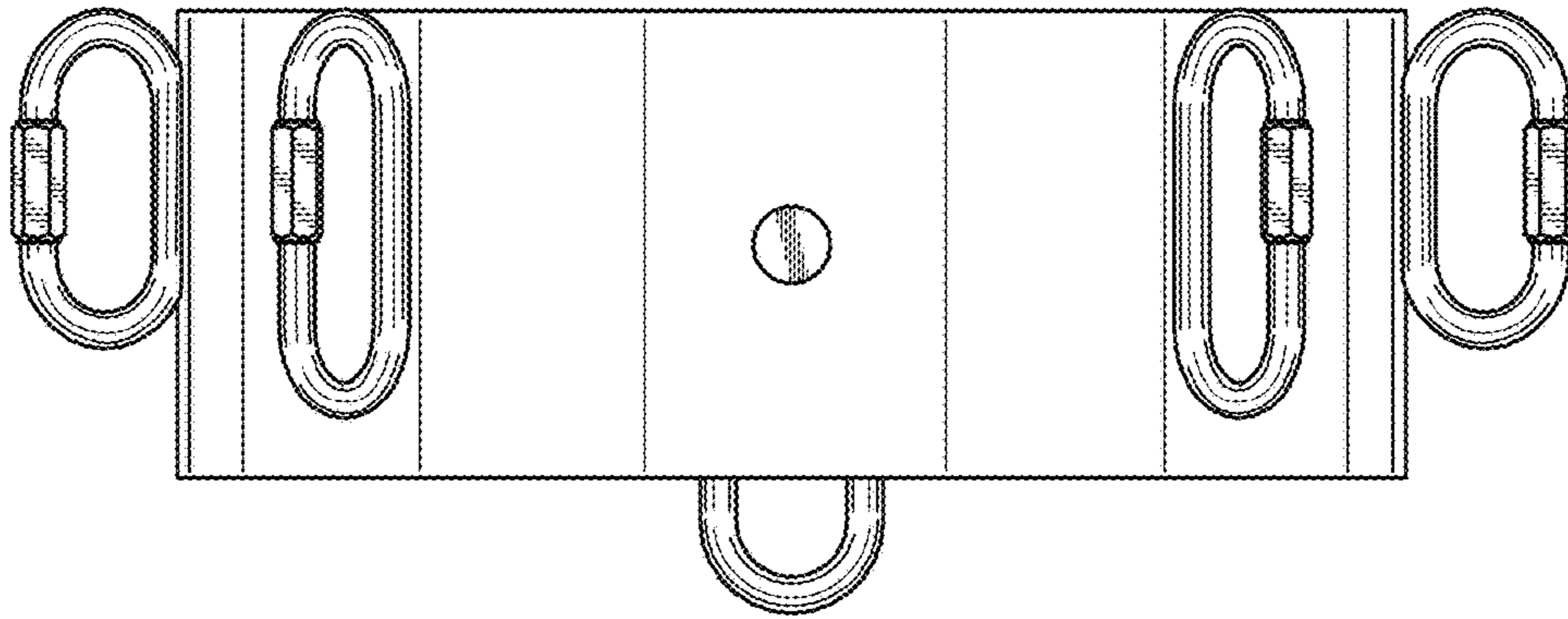


FIG. 3

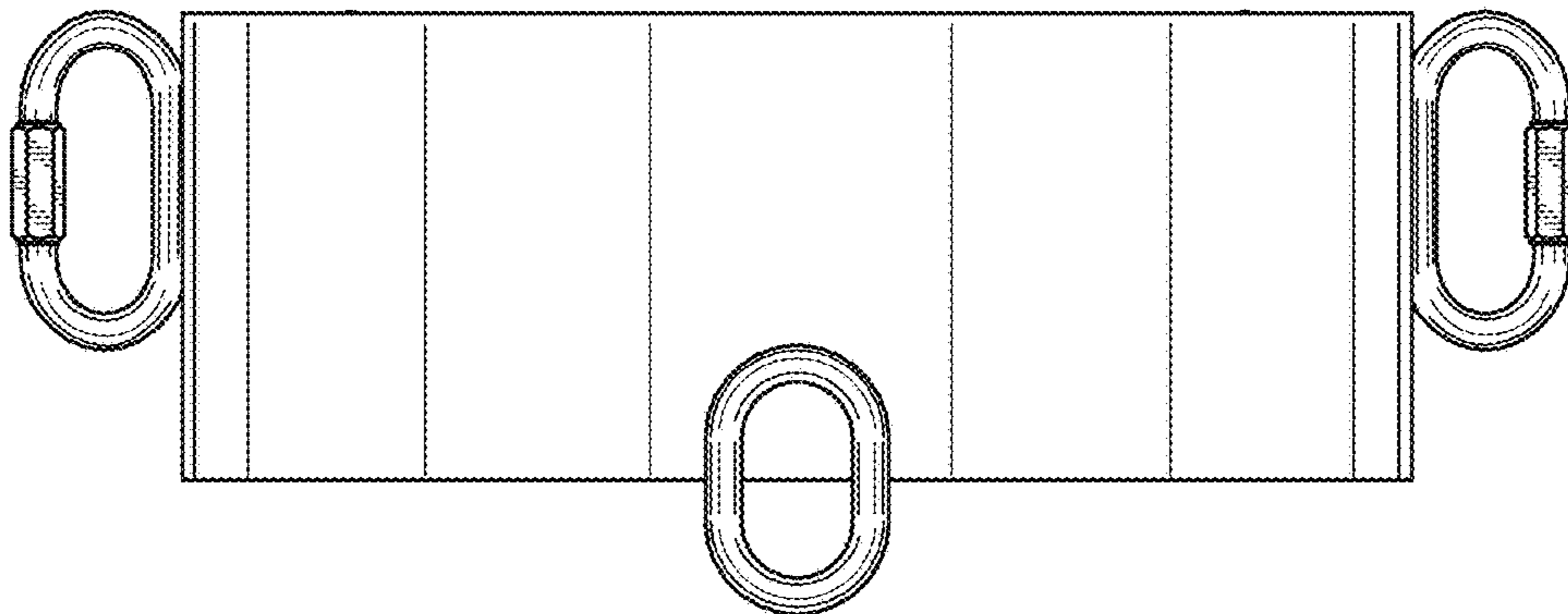


FIG. 4



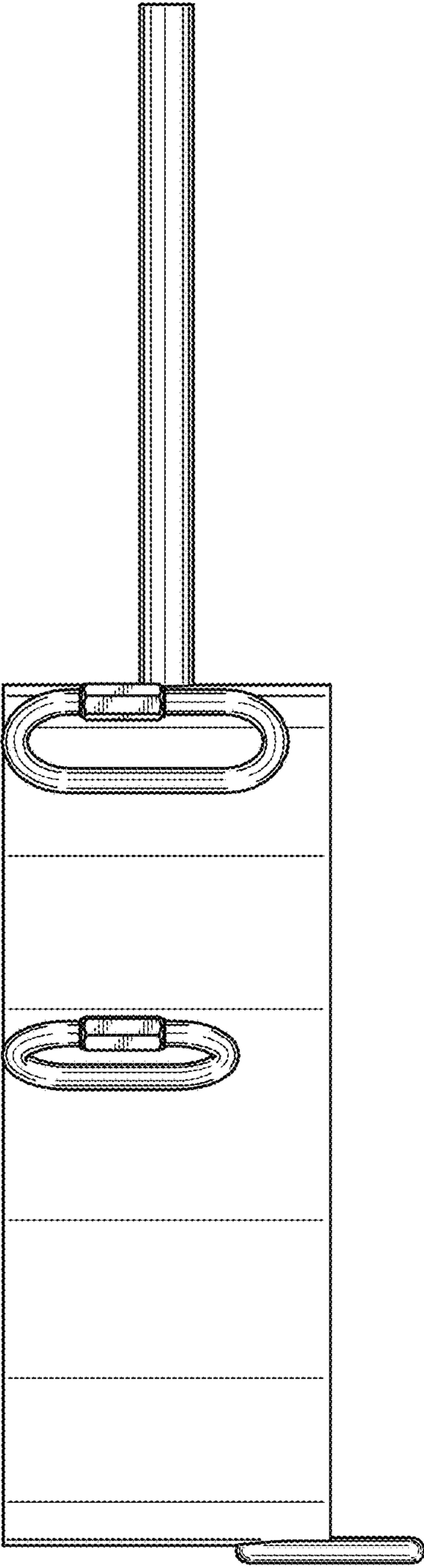


FIG. 5

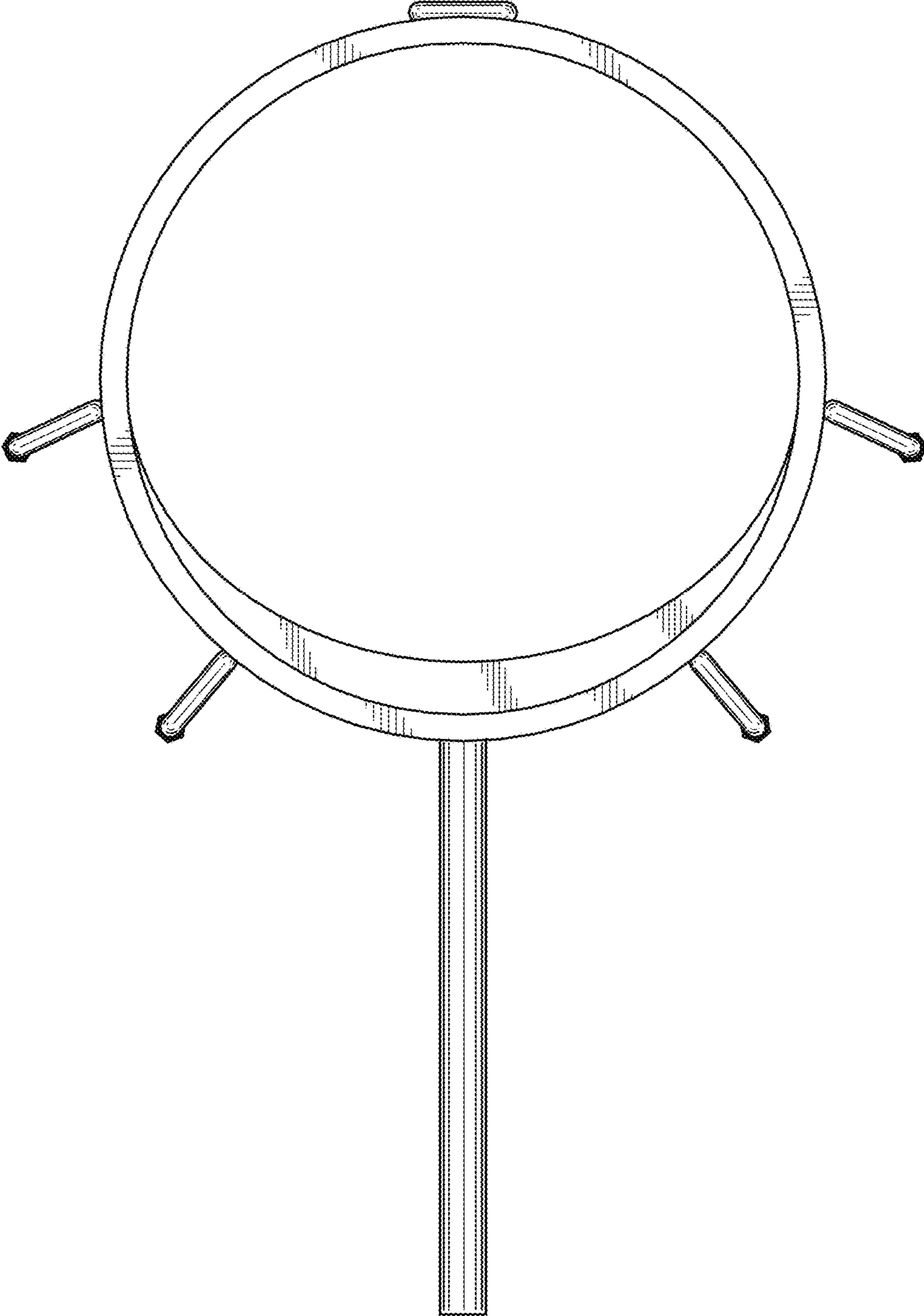


FIG. 6

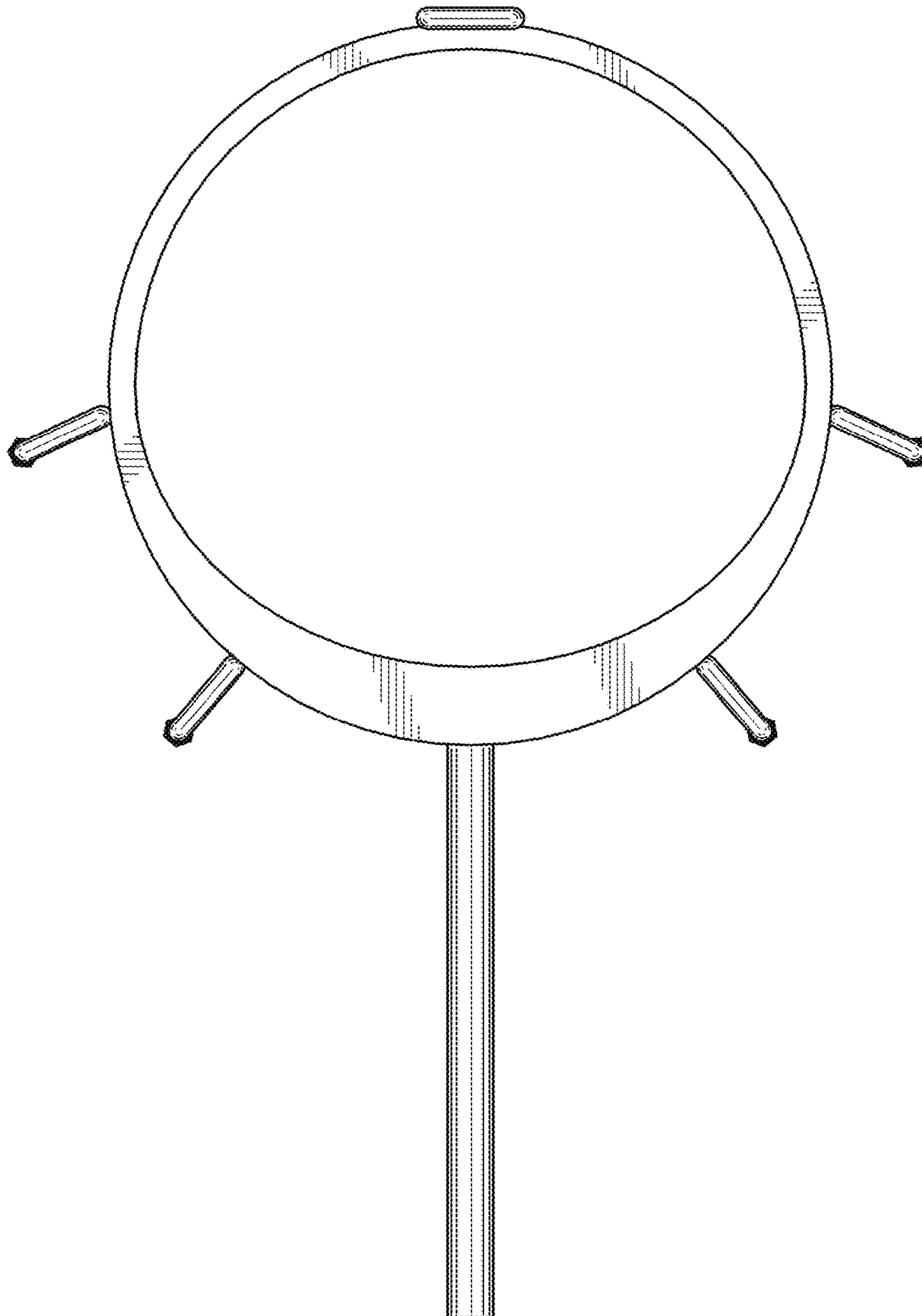


FIG. 7