

US00D778327S

(12) **United States Design Patent**  
**Machelett**

(10) **Patent No.:** **US D778,327 S**

(45) **Date of Patent:** **\*\* Feb. 7, 2017**

(54) **PLOW**

(71) Applicant: **Nathan Machelett**, Sullivan, MO (US)

(72) Inventor: **Nathan Machelett**, Sullivan, MO (US)

(73) Assignee: **Nate Machelett**, Sullivan, MO (US)

(\*\*) Term: **15 Years**

(21) Appl. No.: **29/505,486**

(22) Filed: **Nov. 19, 2015**

(51) **LOC (10) Cl.** ..... **15-03**

(52) **U.S. Cl.**  
USPC ..... **D15/11**

(58) **Field of Classification Search**

USPC ..... D15/10-13; D8/10  
CPC ..... E01H 5/06; E01H 5/061; E01H 5/066;  
E01H 5/02; E01H 5/065; E01H  
5/062; E01H 5/045; E01H 5/063; E01H  
1/0818; E01H 1/101; E01H 5/076; E01H  
1/00; E01H 1/056; E01H 5/04; E01H  
5/067; E01H 1/05; E01H 1/0809

See application file for complete search history.

(56) **References Cited**

**U.S. PATENT DOCUMENTS**

D138,846 S \* 9/1944 Orsett ..... 172/354  
3,002,656 A \* 10/1961 Garber ..... A01C 15/02  
222/43

D275,957 S \* 10/1984 Sterrett ..... D15/11  
D310,225 S \* 8/1990 Eberle ..... D15/11  
D390,575 S \* 2/1998 LeBlanc ..... D15/11  
D407,723 S \* 4/1999 Weisman ..... D15/11  
7,631,443 B2 \* 12/2009 Noonan ..... A01B 1/02  
37/265  
D623,667 S \* 9/2010 Cichy ..... D15/13  
D656,162 S \* 3/2012 Wiik ..... D15/11  
8,631,593 B1 \* 1/2014 Ferris ..... E01H 5/02  
37/270  
D718,792 S \* 12/2014 Lapham ..... D15/11

\* cited by examiner

*Primary Examiner* — Ian Simmons

*Assistant Examiner* — Khawaja Anwar

(57) **CLAIM**

I claim the ornamental design for a plow, as shown and described.

**DESCRIPTION**

FIG. 1 is the right side perspective view of a plow, showing my new design;

FIG. 2 is the left rear perspective view thereof; and, FIG. 3 is the left side perspective view thereof.

The broken line in figure drawings 1 and 3 represents unclaimed environment only and forms no part of the claimed design.

**1 Claim, 3 Drawing Sheets**

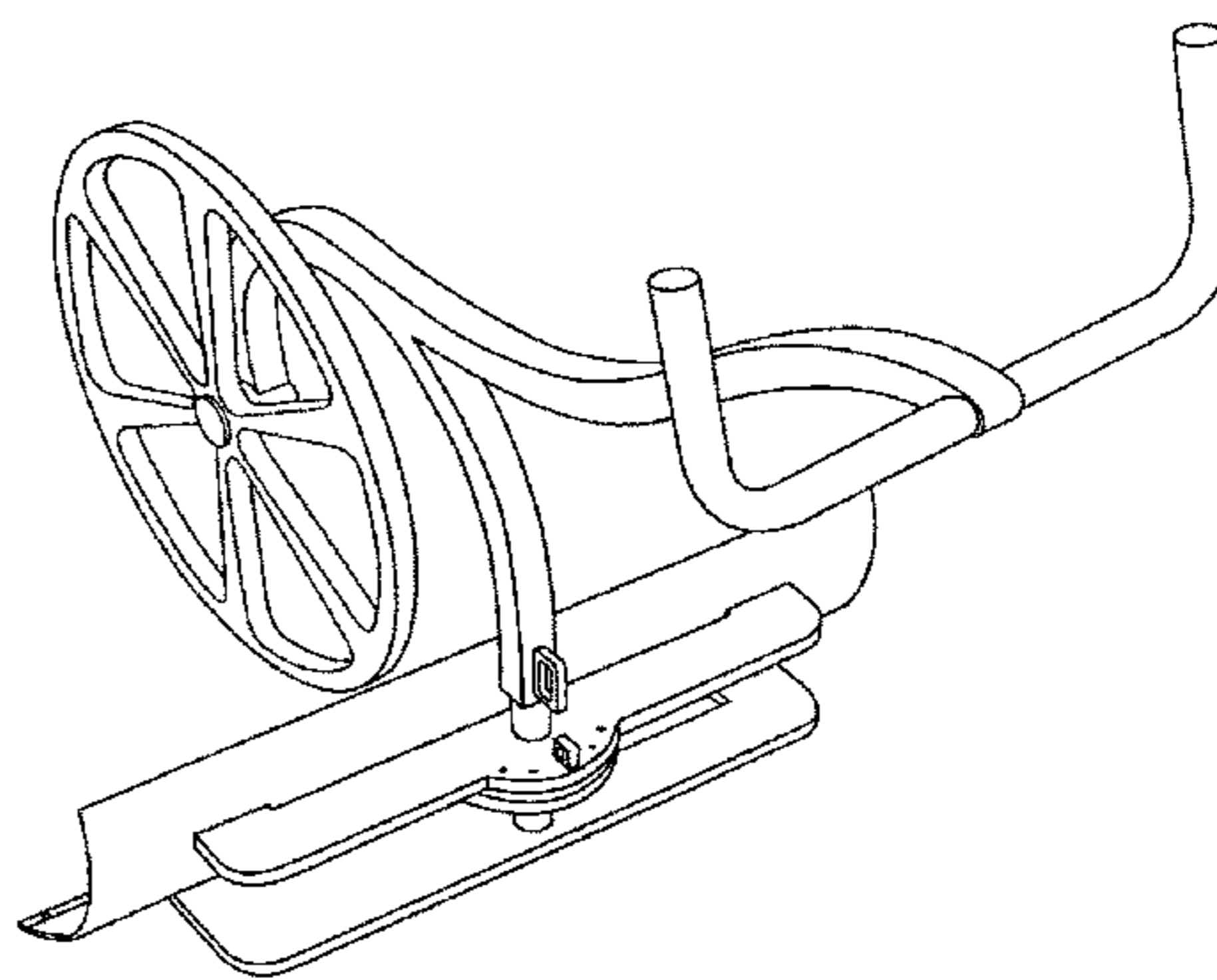
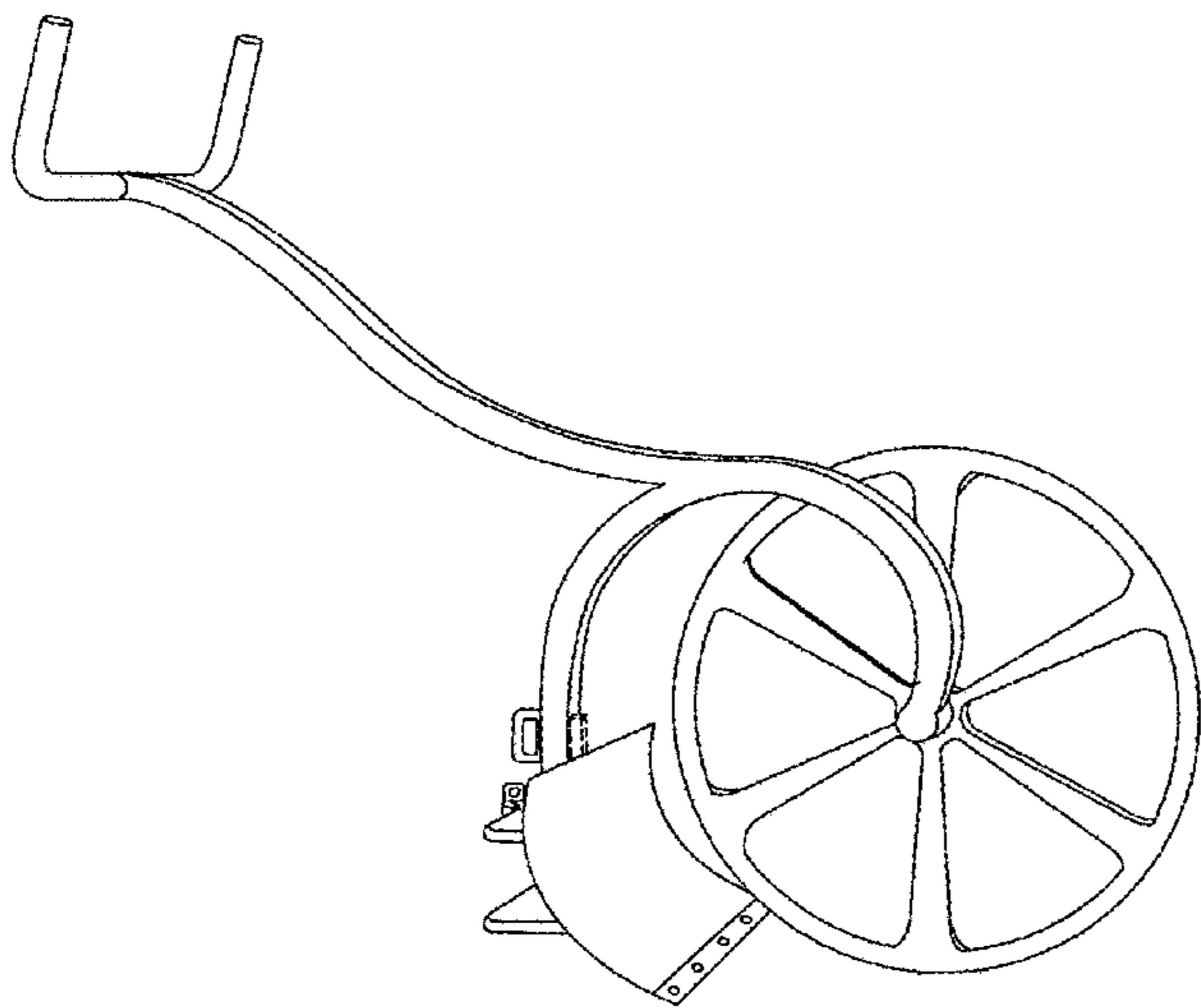


Fig. 1

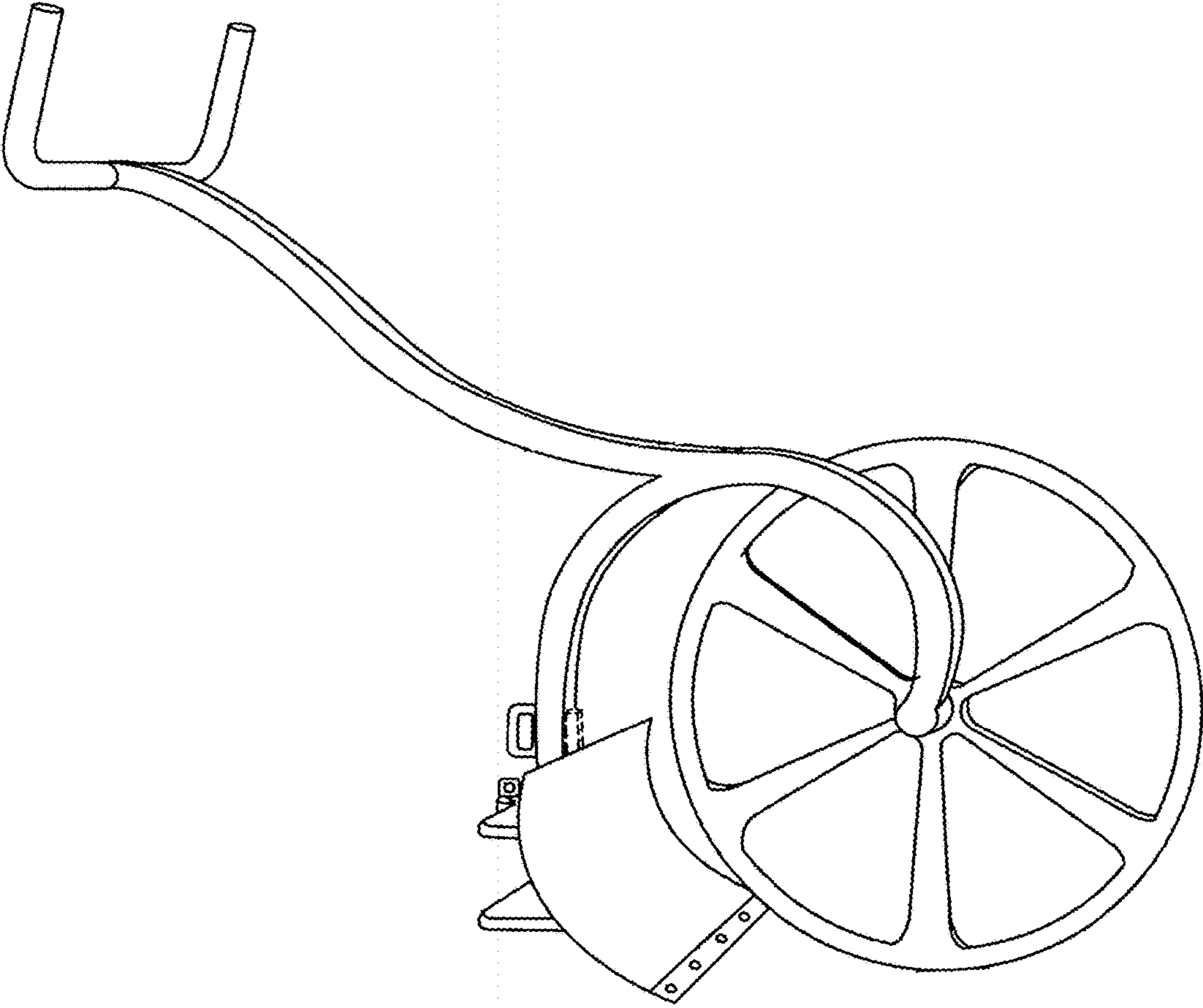


Fig. 2

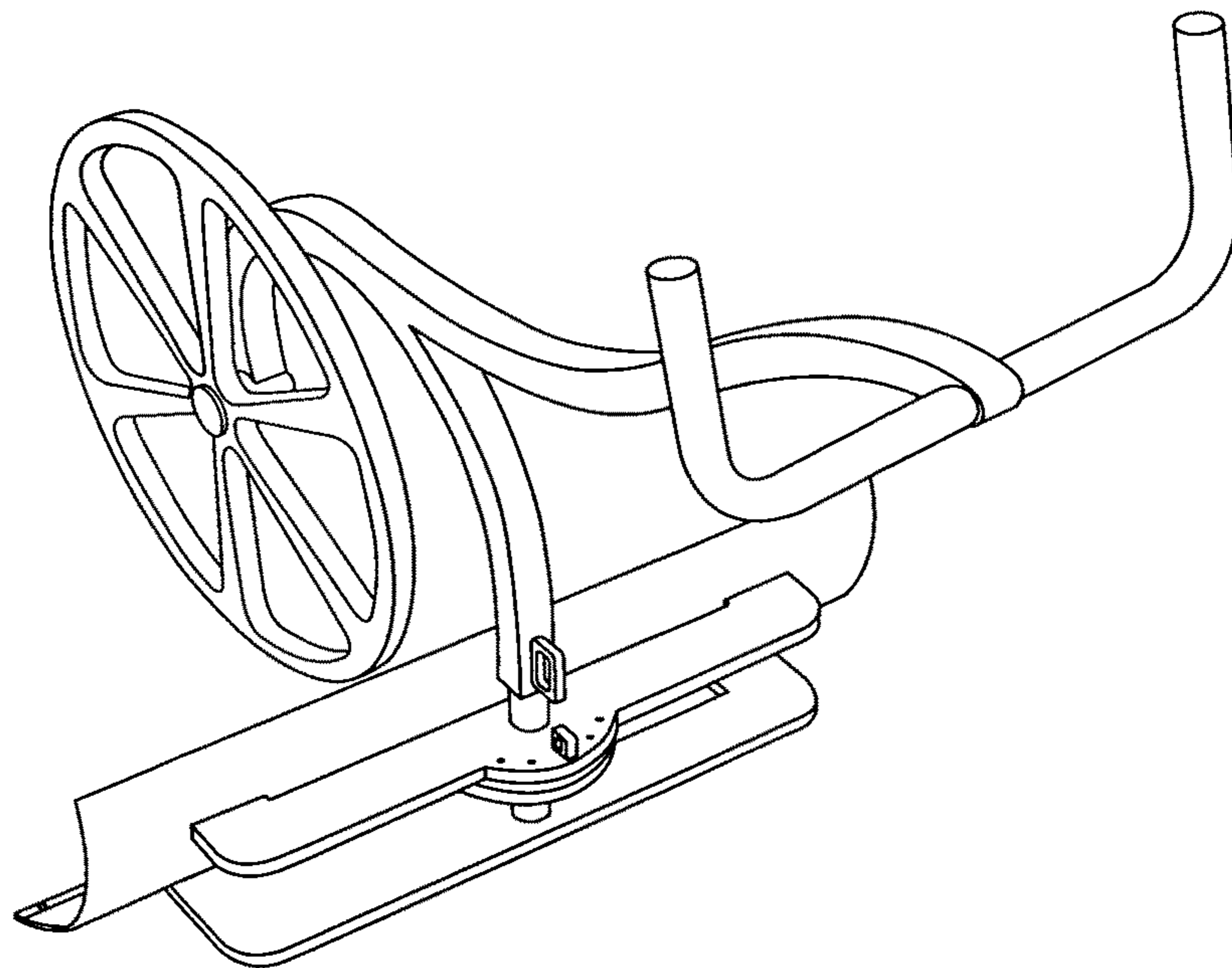


Fig. 3

