



US00D778326S

(12) **United States Design Patent**
Machelett

(10) **Patent No.:** **US D778,326 S**

(45) **Date of Patent:** **** Feb. 7, 2017**

(54) **PLOW**

(71) Applicant: **Nathan Machelett**, Sullivan, MO (US)

(72) Inventor: **Nathan Machelett**, Sullivan, MO (US)

(73) Assignee: **Nate Machelett**, Sullivan, MO (US)

(**) Term: **15 Years**

(21) Appl. No.: **29/505,485**

(22) Filed: **Nov. 19, 2015**

(51) **LOC (10) Cl.** **15-03**

(52) **U.S. Cl.**
USPC **D15/11**

(58) **Field of Classification Search**

USPC D15/10-13; D8/10
CPC E01H 5/06; E01H 5/061; E01H 5/066;
E01H 5/02; E01H 5/065; E01H
5/062; E01H 5/045; E01H 5/063; E01H
1/0818; E01H 1/101; E01H 5/076; E01H
1/00; E01H 1/056; E01H 5/04; E01H
5/067; E01H 1/05; E01H 1/0809

See application file for complete search history.

(56) **References Cited**

U.S. PATENT DOCUMENTS

D138,846 S * 9/1944 Orsett 172/354
3,002,656 A * 10/1961 Garber A01C 15/02
222/43

D275,957 S * 10/1984 Sterrett D15/11
D310,225 S * 8/1990 Eberle D15/11
D390,575 S * 2/1998 LeBlanc D15/11
D407,723 S * 4/1999 Weisman D15/11
7,631,443 B2 * 12/2009 Noonan A01B 1/02
37/265
D623,667 S * 9/2010 Cichy D15/13
D656,162 S * 3/2012 Wiik D15/11
8,631,593 B1 * 1/2014 Ferris E01H 5/02
37/270
D718,792 S * 12/2014 Lapham D15/11

* cited by examiner

Primary Examiner — Ian Simmons

Assistant Examiner — Khawaja Anwar

(57) **CLAIM**

I claim the ornamental design for a plow, as shown and described.

DESCRIPTION

FIG. 1 is the right side perspective view of a plow, showing my new design;

FIG. 2 is the left rear perspective view thereof; and, FIG. 3 is the left side perspective view thereof.

The broken line in figure drawings 1 and 3 represents unclaimed environment only and forms no part of the claimed design.

1 Claim, 3 Drawing Sheets

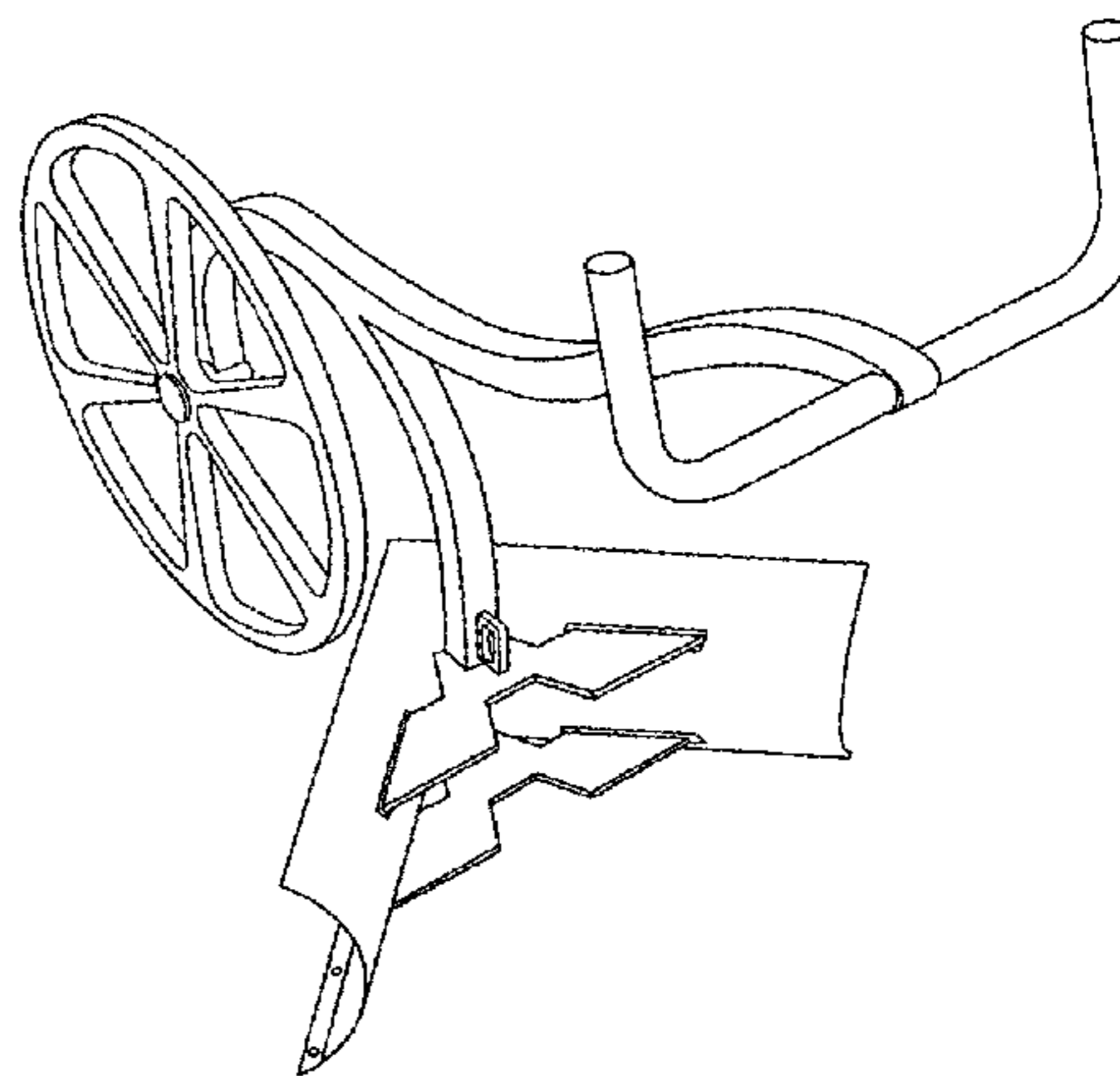
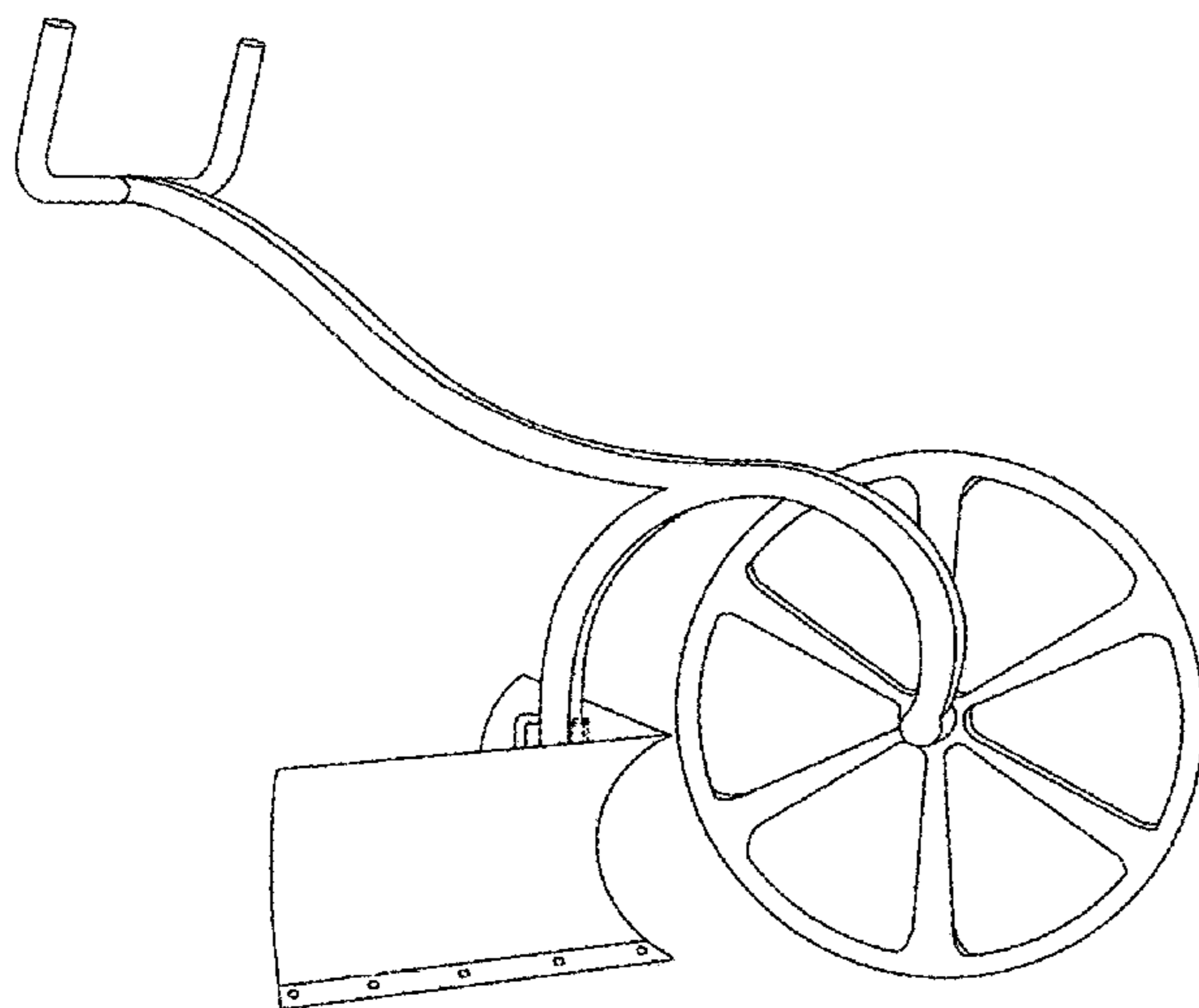


Fig. 1

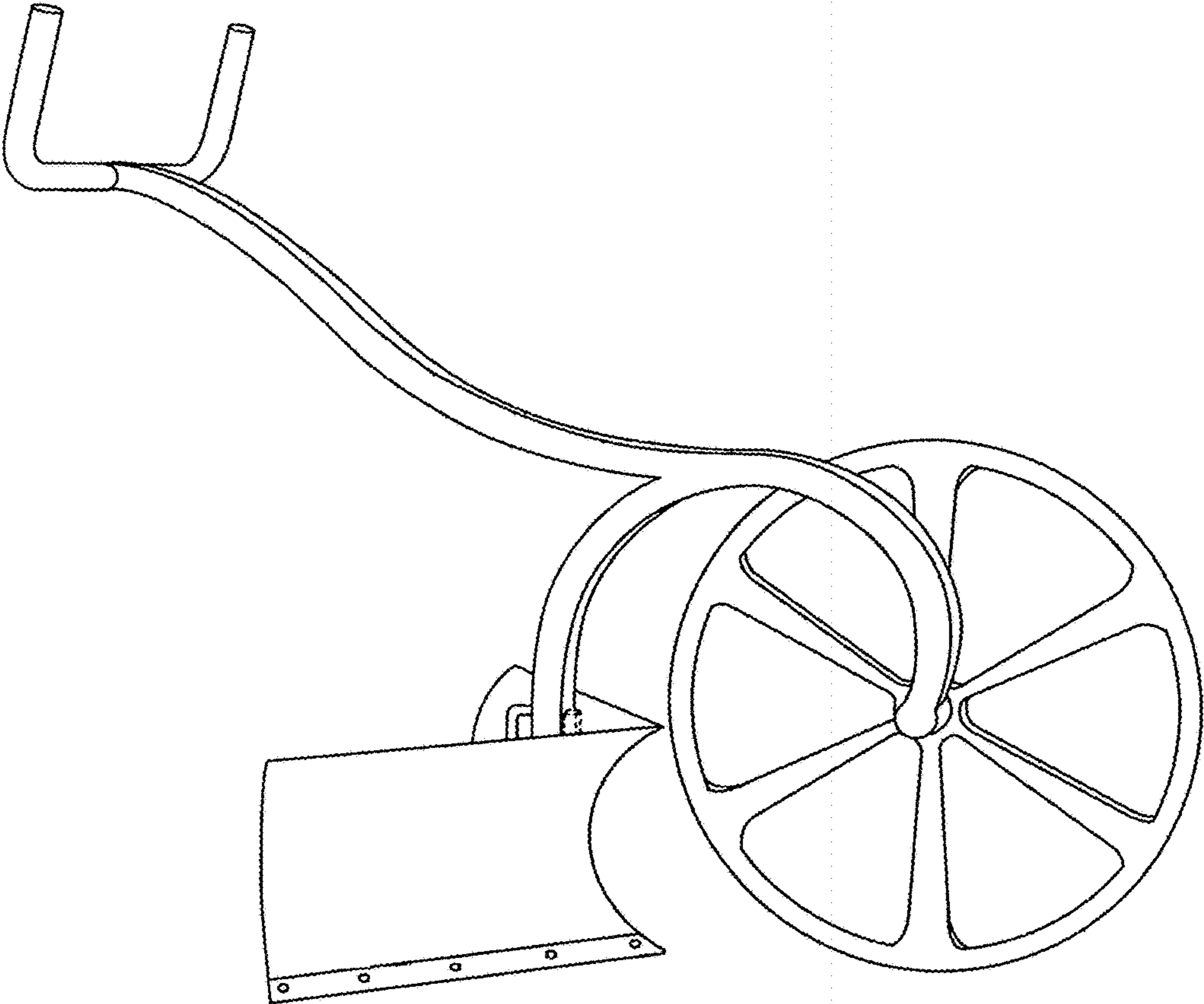


Fig. 2

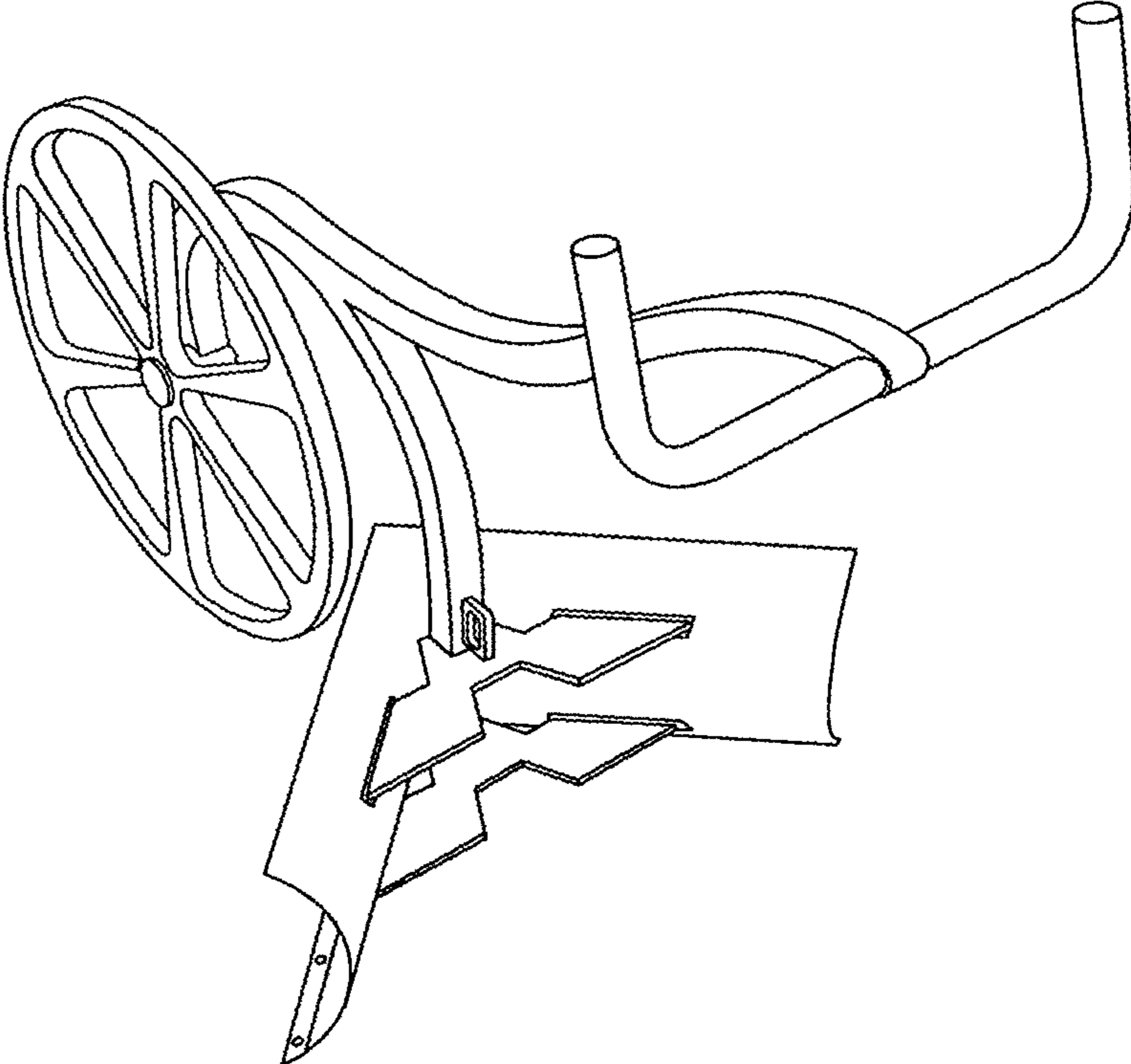


Fig. 3

