



US00D778325S

(12) **United States Design Patent** (10) **Patent No.:** **US D778,325 S**
Green (45) **Date of Patent:** **** Feb. 7, 2017**

- (54) **HOUSING**
- (71) Applicant: **Home Depot Product Authority, LLC**,
Atlanta, GA (US)
- (72) Inventor: **Adam Green**, Atlanta, GA (US)
- (73) Assignee: **Home Depot Product Authority, LLC**,
Atlanta, GA (US)

D497,917 S *	11/2004	Harper	D15/9
D502,710 S *	3/2005	Hsiao	D15/9
D515,102 S *	2/2006	Buck	D15/7
D517,569 S *	3/2006	Hsiao	D15/7
D528,566 S *	9/2006	Hsiao	D15/9
D572,273 S *	7/2008	Carpenter	D15/7
D575,308 S *	8/2008	Plunk	D15/9
D617,347 S *	6/2010	Plunk	D15/9
D622,739 S *	8/2010	Bass	D15/9
D727,363 S *	4/2015	Carpenter	D15/7
D757,824 S *	5/2016	Green	D15/7

- (**) Term: **15 Years**
- (21) Appl. No.: **29/565,790**
- (22) Filed: **May 24, 2016**

Related U.S. Application Data

- (62) Division of application No. 29/501,520, filed on Sep. 4, 2014, now Pat. No. Des. 757,824.
- (51) **LOC (10) Cl.** **15-02**
- (52) **U.S. Cl.**
USPC **D15/7**
- (58) **Field of Classification Search**
USPC D15/7-9; D23/231, 232, 225; 417/60,
417/235, 265, 321, 355, 358, 363, 359,
417/410.1, 415-416, 405, 900; 60/408,
60/412; 184/26-37; 415/140-147;
137/565.34; 123/495, 509
CPC F02M 37/04; F02M 37/14
See application file for complete search history.

(56) **References Cited**

U.S. PATENT DOCUMENTS

D472,560 S *	4/2003	Shiau	D15/9
D484,514 S *	12/2003	Hsiao	D15/9
D484,890 S *	1/2004	Hsiao	D15/9

OTHER PUBLICATIONS

Office Action received in Canadian Counterpart Application No. 168968, dated Jun. 23, 2016, 1 pg.

* cited by examiner

Primary Examiner — Ralf Seifert

(74) *Attorney, Agent, or Firm* — Greenberg Traurig, LLP

(57) **CLAIM**

The ornamental design for a housing, as shown and described.

DESCRIPTION

FIG. 1 is a perspective view of an embodiment of my housing, in which only a portion of the housing is shown in solid lines;

FIG. 2 is another perspective view thereof;

FIG. 3 is a front view thereof;

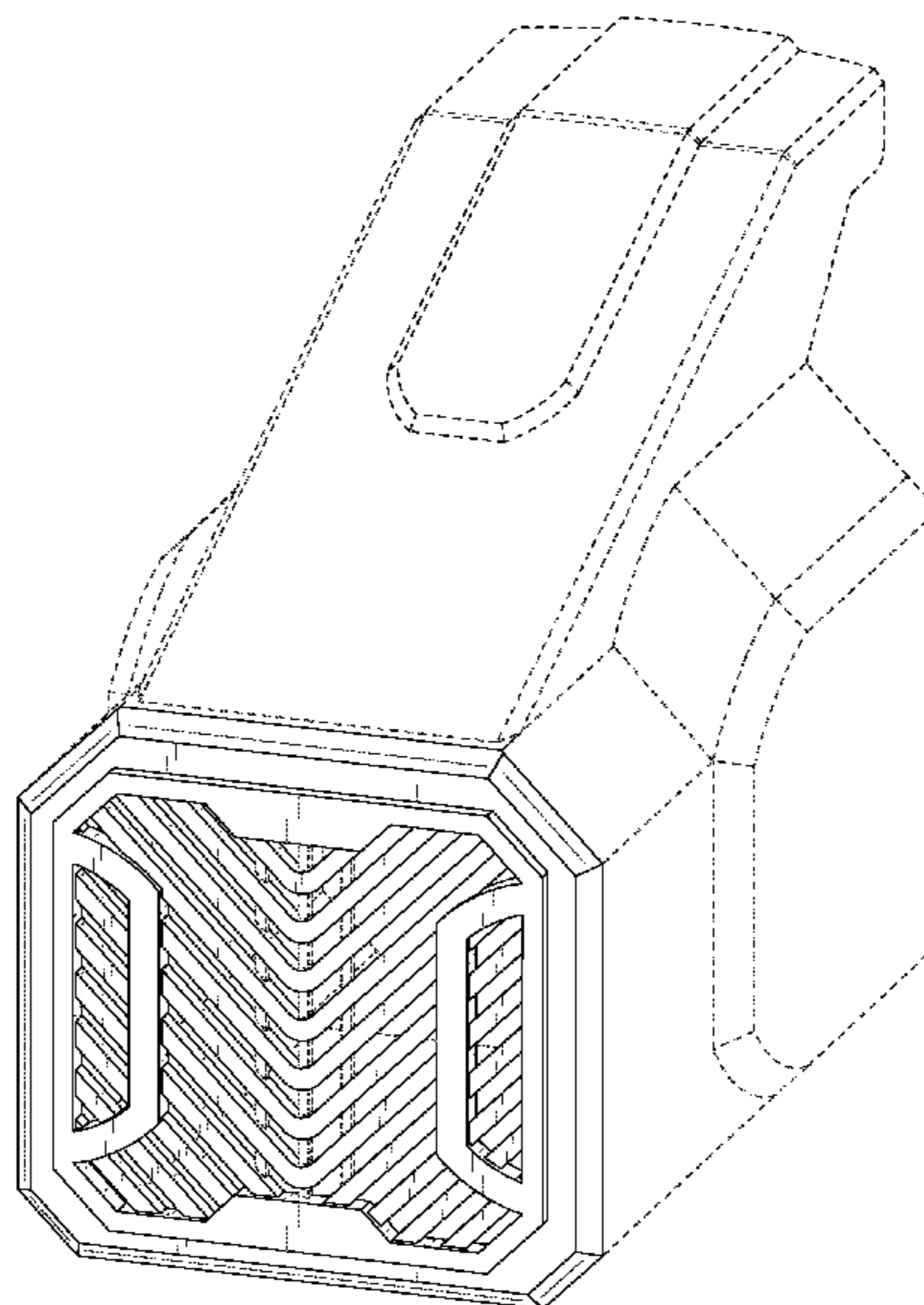
FIG. 4 is a back view thereof;

FIG. 5 is a left side view thereof, the right side being a mirror image thereof;

FIG. 6 is a top view thereof; and,

FIG. 7 is a bottom view thereof.

1 Claim, 7 Drawing Sheets



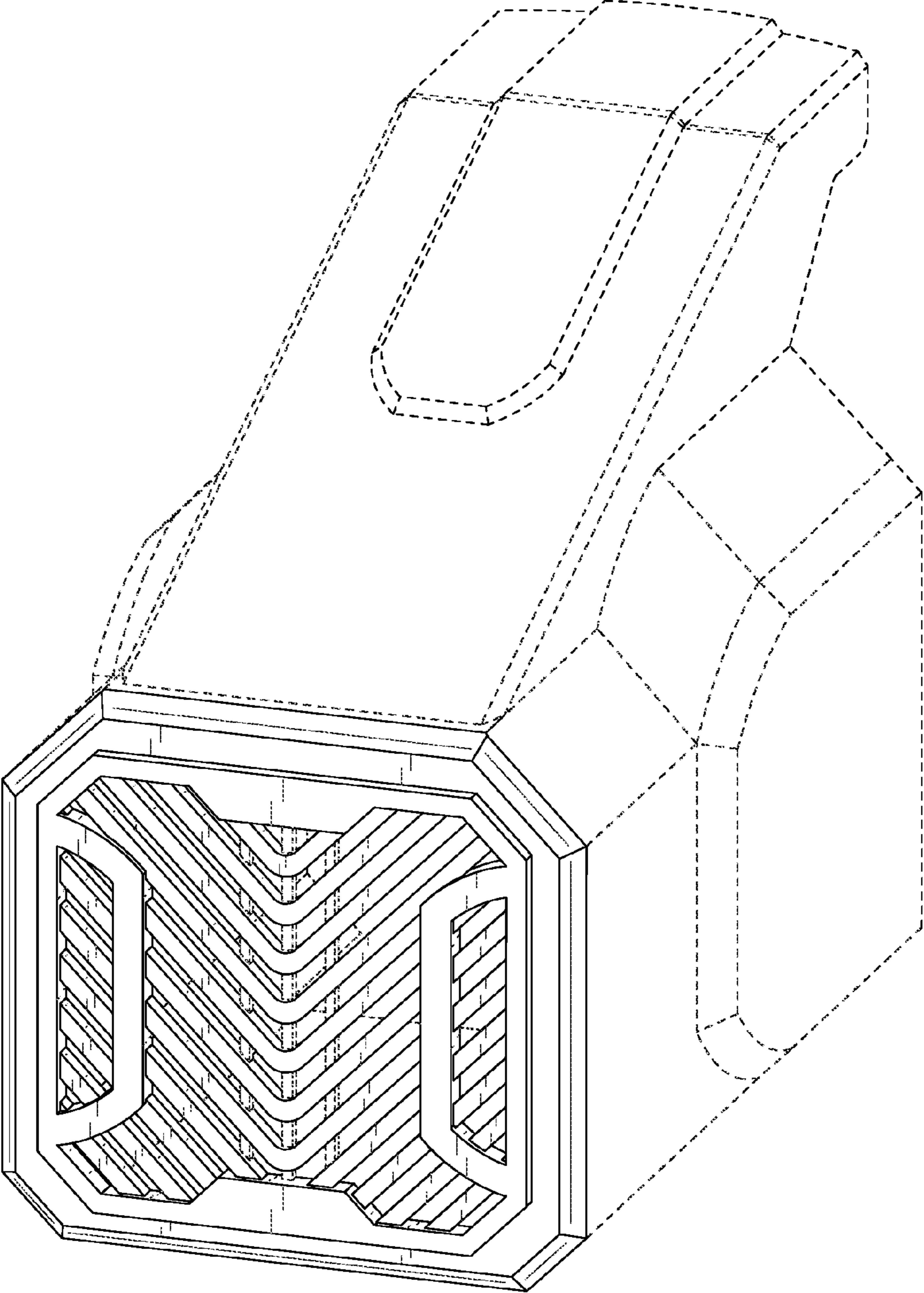


FIG. 1

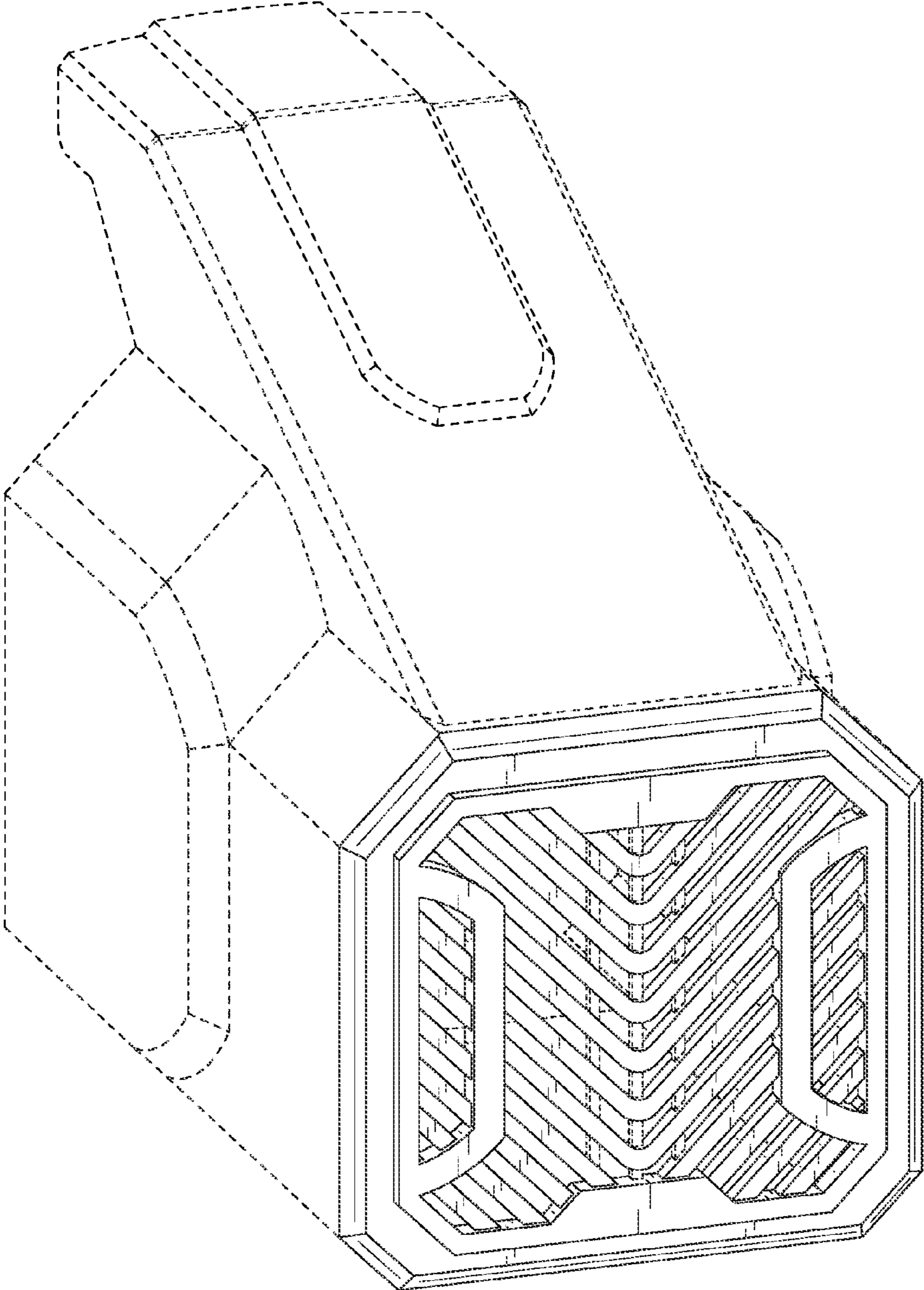


FIG. 2

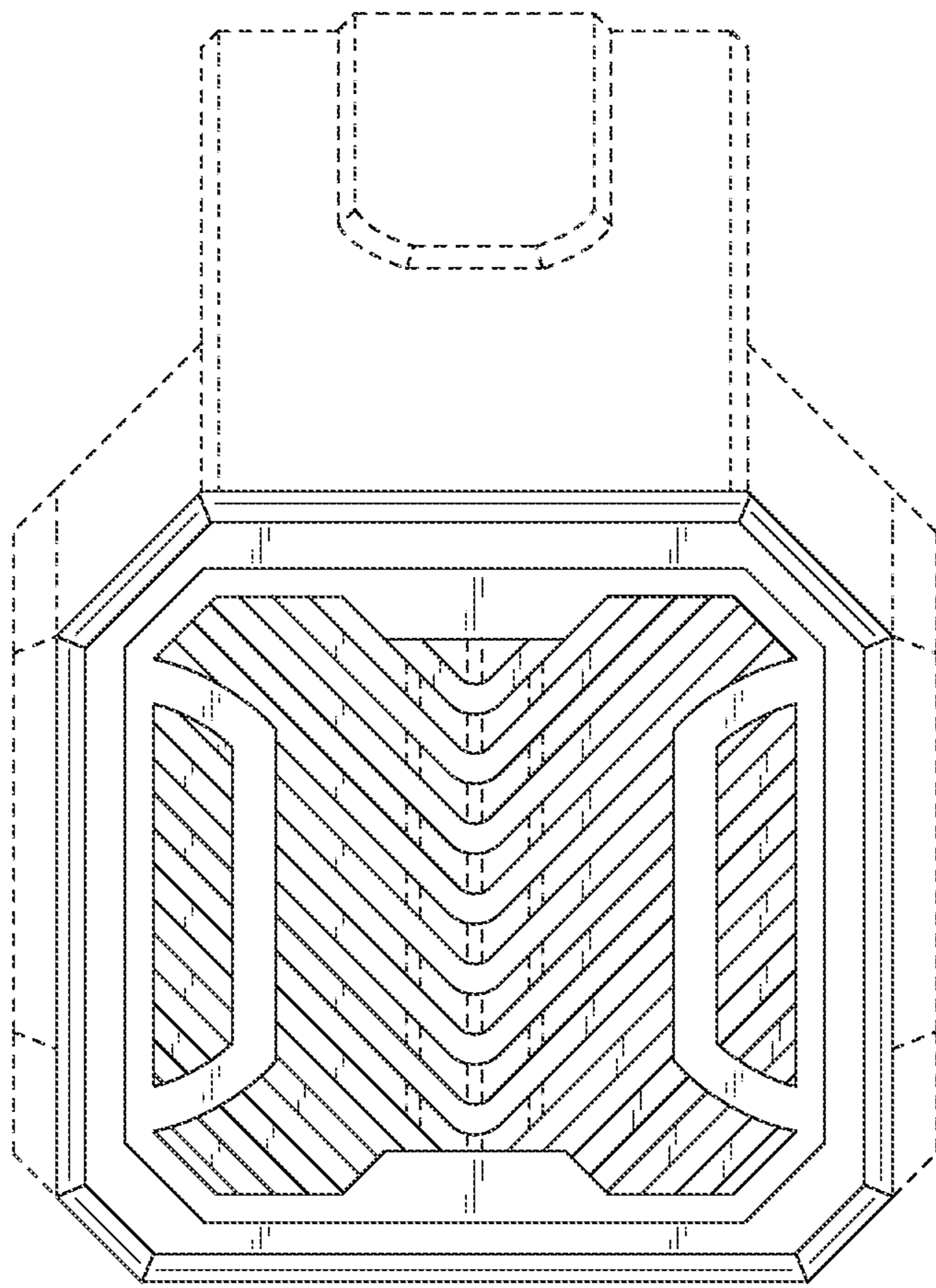


FIG. 3

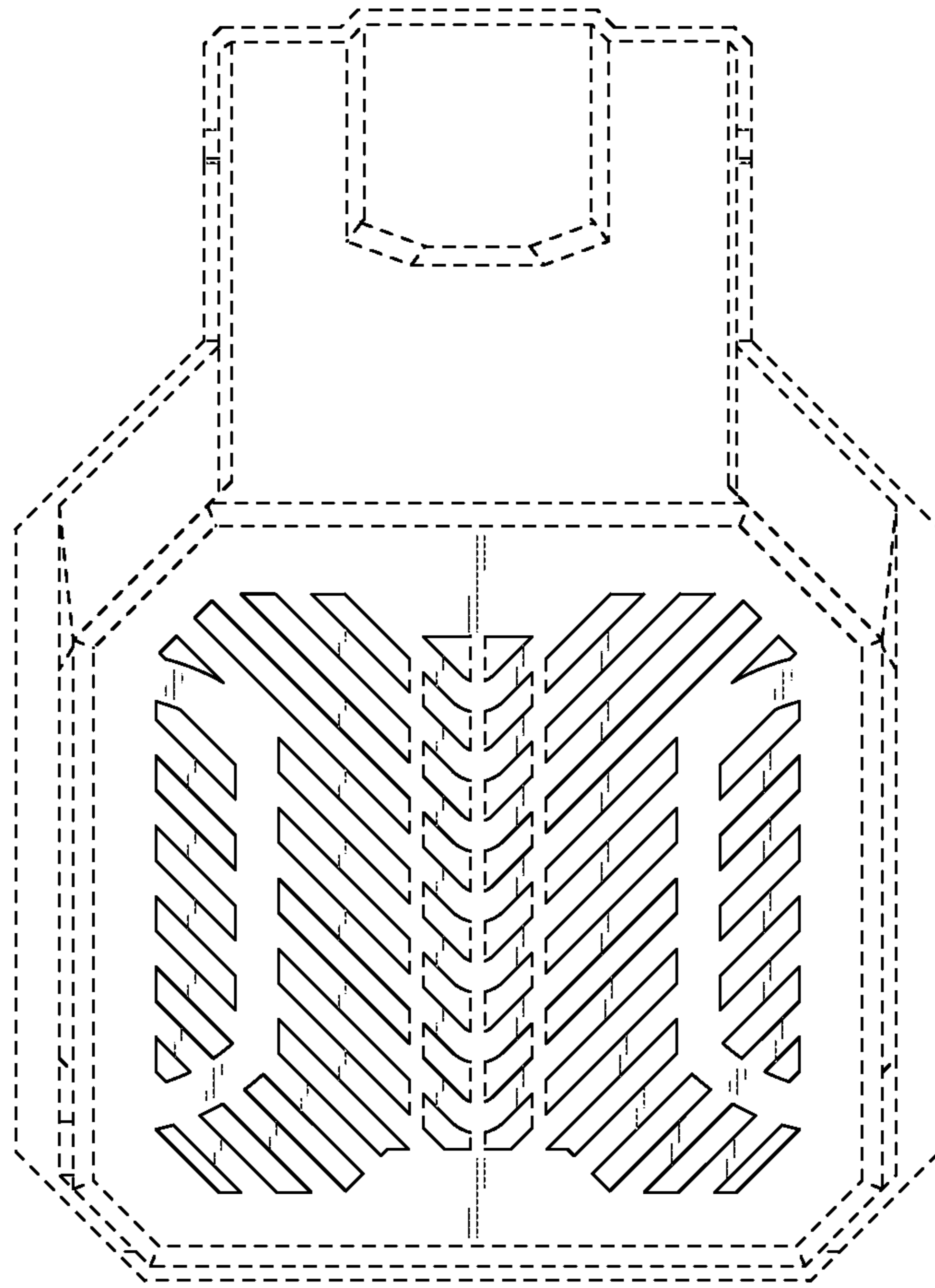


FIG. 4

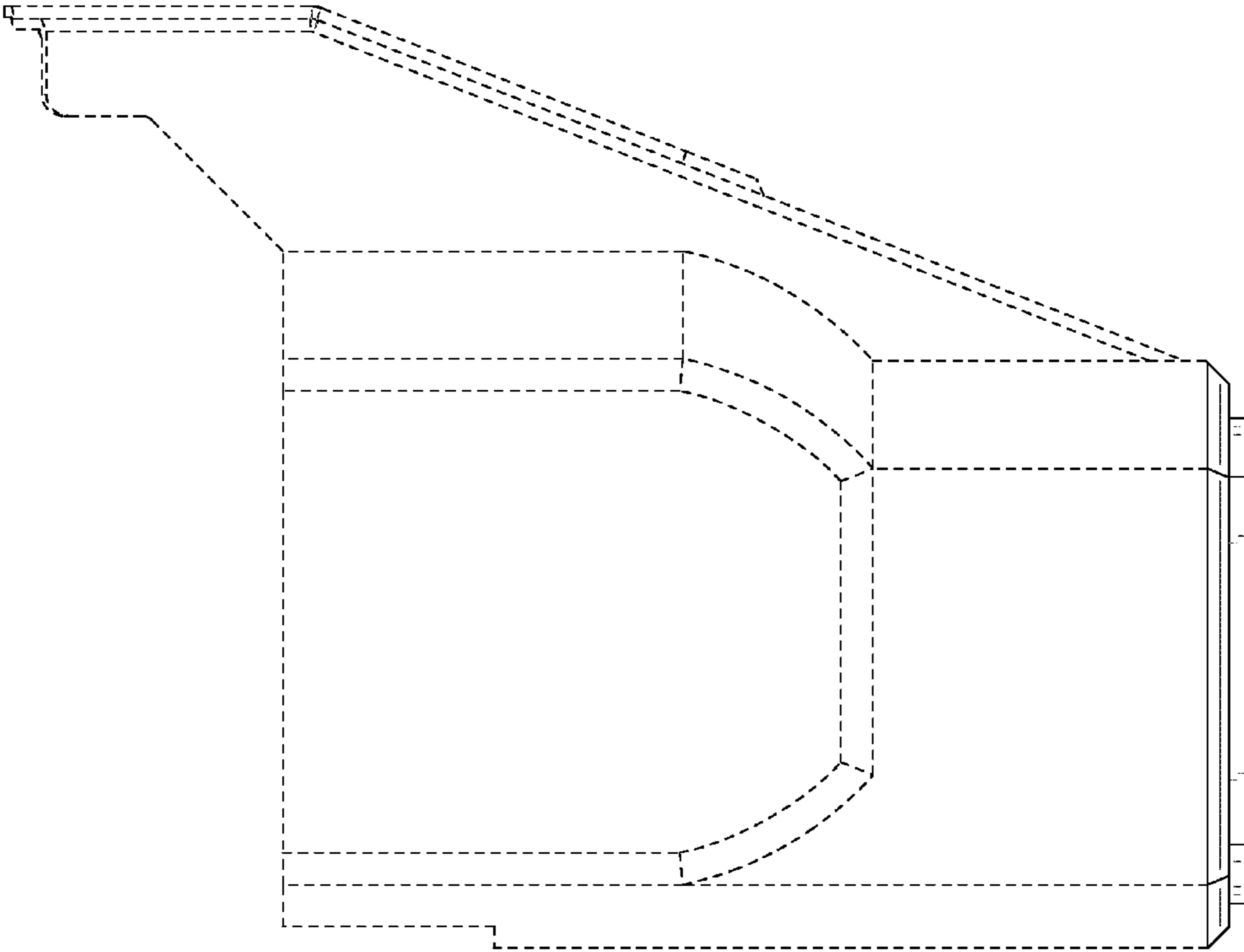


FIG. 5

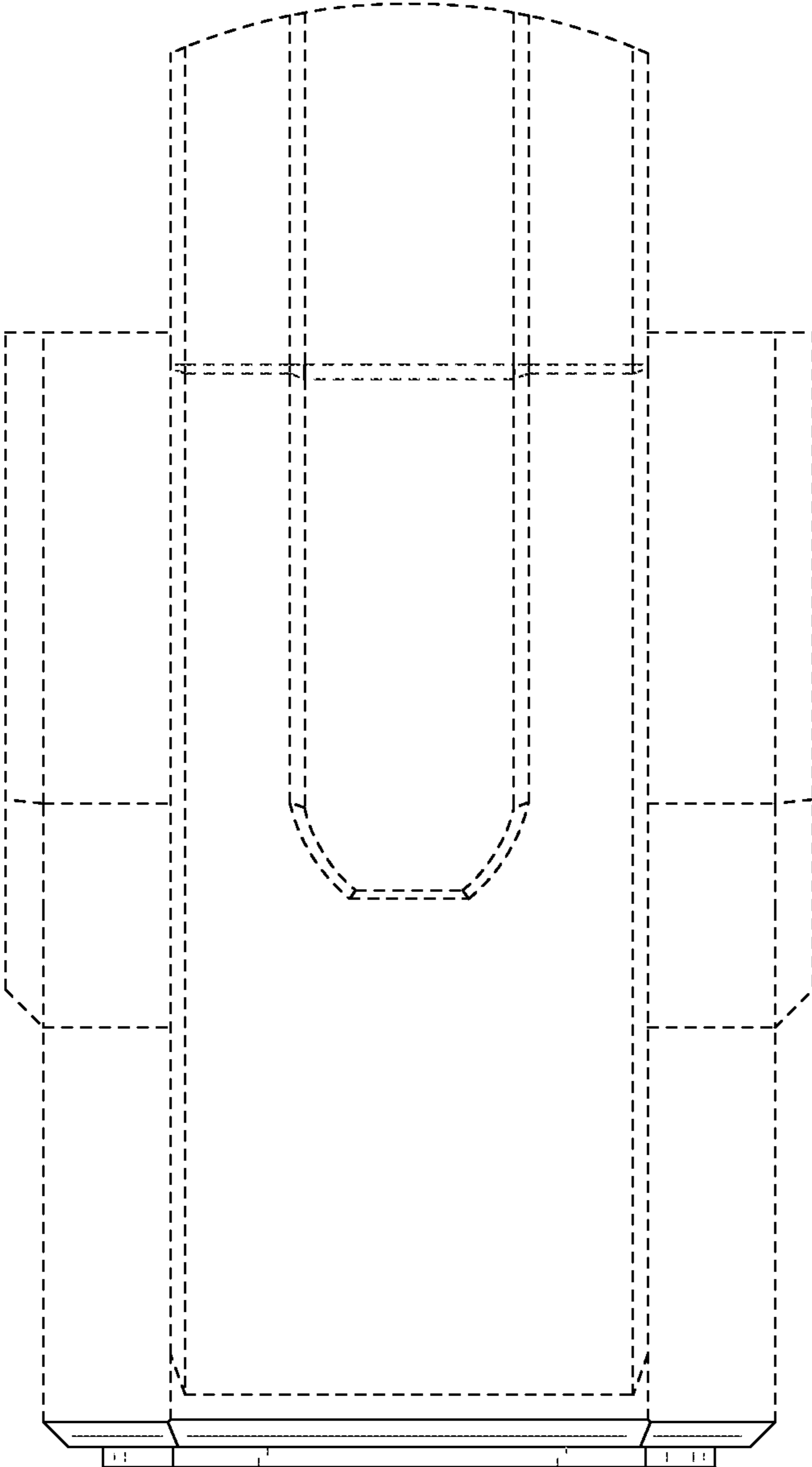


FIG. 6

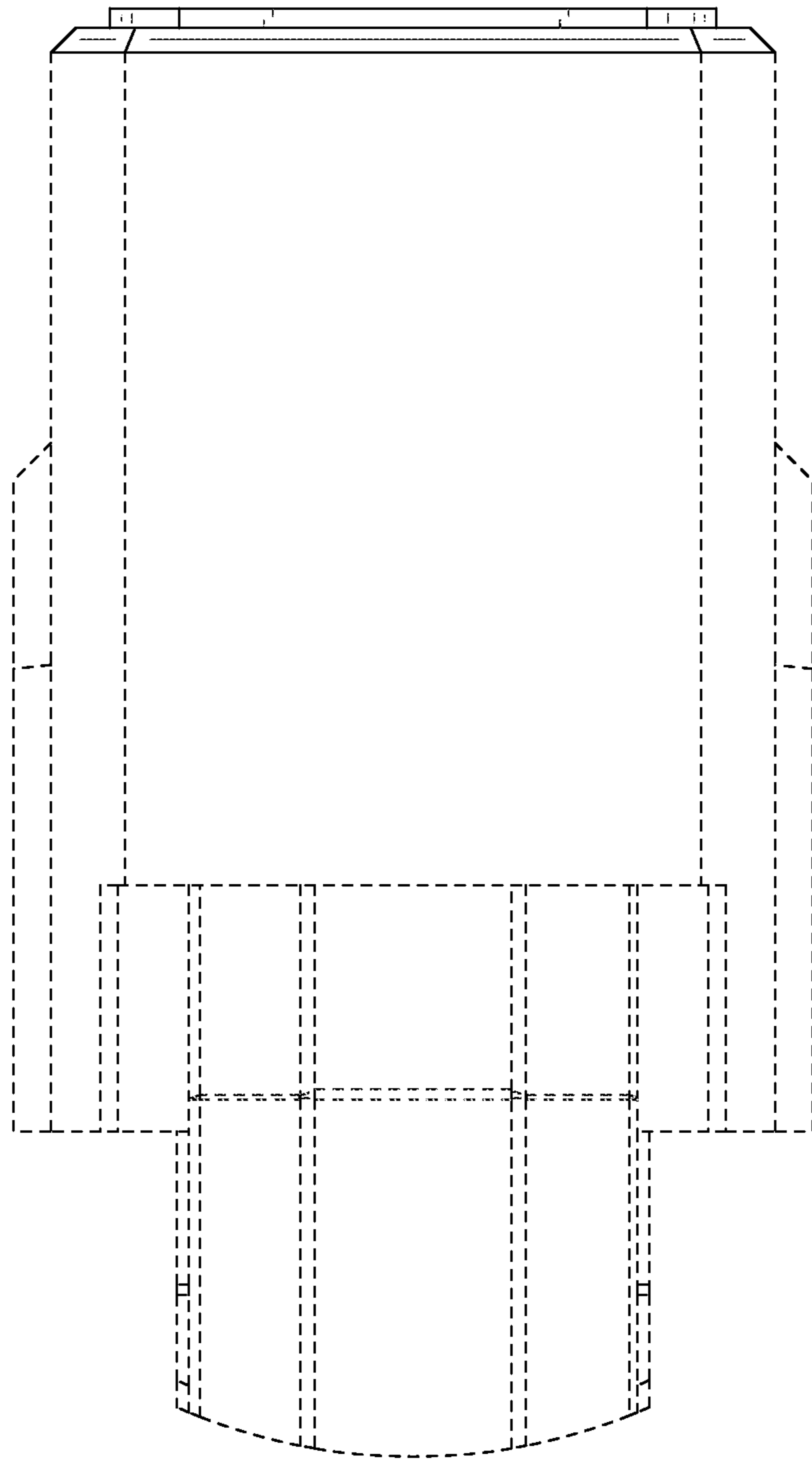


FIG. 7