



US00D778324S

(12) **United States Design Patent** (10) **Patent No.:** **US D778,324 S**  
**Green** (45) **Date of Patent:** **\*\* Feb. 7, 2017**

(54) **HOUSING**

*Primary Examiner* — Ralf Seifert

(71) Applicant: **Home Depot Product Authority, LLC**,  
Atlanta, GA (US)

(74) *Attorney, Agent, or Firm* — Greenberg Traurig, LLP

(72) Inventor: **Adam Green**, Atlanta, GA (US)

(57) **CLAIM**

(73) Assignee: **Home Depot Product Authority, LLC**,  
Atlanta, GA (US)

The ornamental design for a housing, as shown and described.

(\*\*) Term: **15 Years**

(21) Appl. No.: **29/565,789**

**DESCRIPTION**

(22) Filed: **May 24, 2016**

**Related U.S. Application Data**

(62) Division of application No. 29/501,520, filed on Sep. 4, 2014, now Pat. No. Des. 757,824.

(51) **LOC (10) Cl.** ..... **15-02**

(52) **U.S. Cl.**  
USPC ..... **D15/7**

(58) **Field of Classification Search**  
USPC ..... D15/7-9; D23/231, 232, 225; 417/60,  
417/235, 265, 321, 355, 358, 363, 359,  
417/410.1, 415-416, 405, 900; 60/408,  
60/412; 184/26-37; 415/140-147;  
123/495, 509; 137/565.34  
CPC ..... F02M 37/04; F02M 37/14  
See application file for complete search history.

FIG. 1 is a perspective view of a first embodiment of my housing;  
FIG. 2 is another perspective view thereof;  
FIG. 3 is front view thereof;  
FIG. 4 is a back view thereof;  
FIG. 5 is a left side view thereof, the right side being a mirror image thereof;  
FIG. 6 is a top view thereof;  
FIG. 7 is a bottom view thereof;  
FIG. 8 is a perspective view of a second embodiment of my housing, in which only a portion of the housing of the first embodiment is shown in solid lines;  
FIG. 9 is another perspective view of FIG. 8;  
FIG. 10 is front view of FIG. 8;  
FIG. 11 is a back view of FIG. 8;  
FIG. 12 is a left side view of FIG. 8, the right side being a mirror image;  
FIG. 13 is a top view of FIG. 8;  
FIG. 14 is a bottom view of FIG. 8;  
FIG. 15 is a perspective view of a third embodiment of my housing, in which only a portion of the housing of the first embodiment is shown in solid lines;  
FIG. 16 is another perspective view of FIG. 15;  
FIG. 17 is a front view of FIG. 15;  
FIG. 18 is a back view of FIG. 15;  
FIG. 19 is a left side view of FIG. 15, the right side being a mirror image thereof;  
FIG. 20 is a top view of FIG. 15; and,  
FIG. 21 is a bottom view of FIG. 15.

(56) **References Cited**

**U.S. PATENT DOCUMENTS**

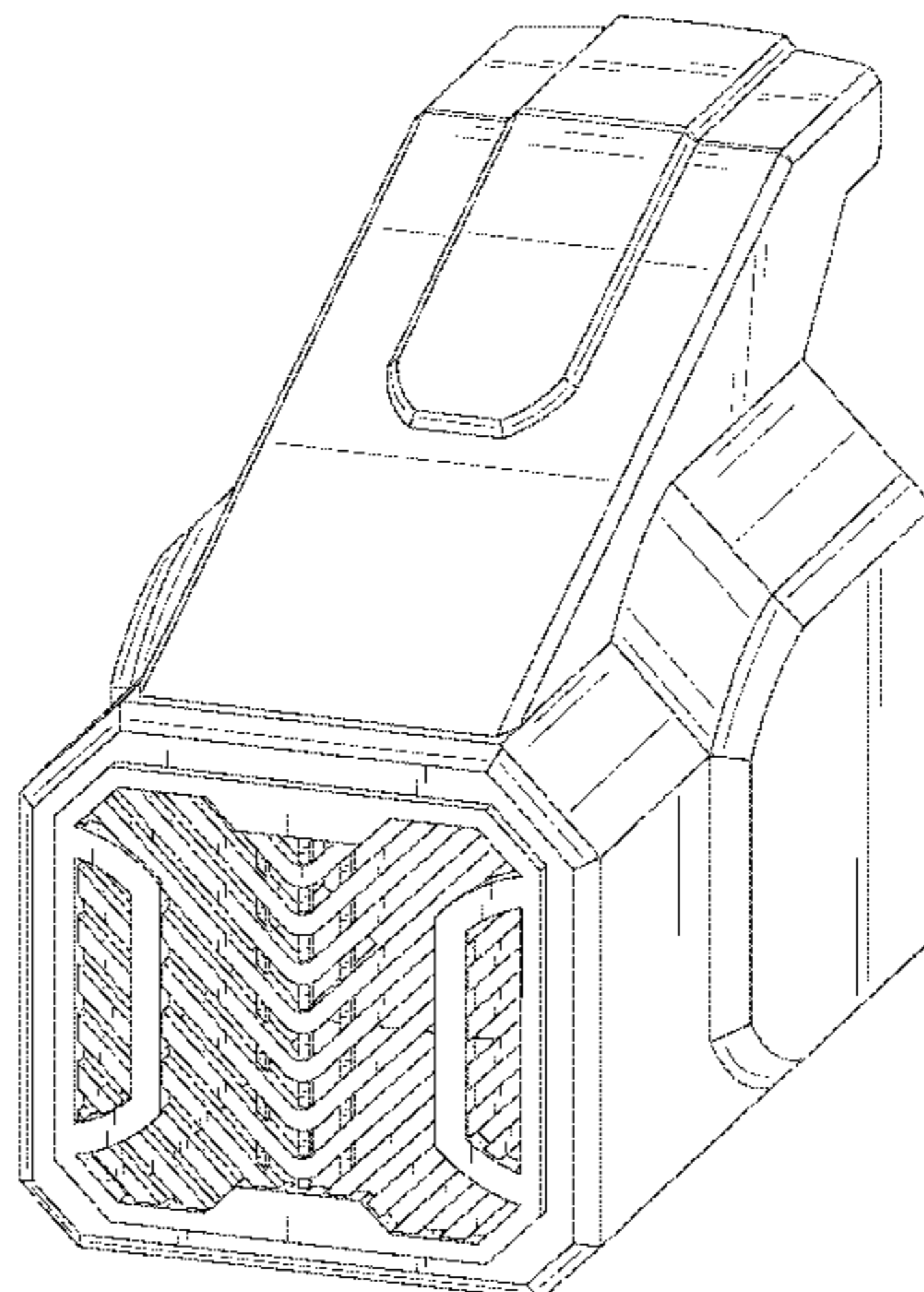
D472,560 S \* 4/2003 Shiao ..... D15/9  
D484,514 S \* 12/2003 Hsiao ..... D15/9  
D484,890 S \* 1/2004 Hsiao ..... D15/9  
D497,917 S \* 11/2004 Harper ..... D15/9

(Continued)

**OTHER PUBLICATIONS**

Office Action received in Canadian Counterpart Application No. 168968, dated Jun. 23, 2016, 1 pg.

**1 Claim, 21 Drawing Sheets**



(56)

**References Cited**

U.S. PATENT DOCUMENTS

|              |        |                 |       |
|--------------|--------|-----------------|-------|
| D502,710 S * | 3/2005 | Hsiao .....     | D15/9 |
| D515,102 S * | 2/2006 | Buck .....      | D15/7 |
| D517,569 S * | 3/2006 | Hsiao .....     | D15/7 |
| D528,566 S * | 9/2006 | Hsiao .....     | D15/9 |
| D572,273 S * | 7/2008 | Carpenter ..... | D15/7 |
| D575,308 S * | 8/2008 | Plunk .....     | D15/9 |
| D617,347 S * | 6/2010 | Plunk .....     | D15/9 |
| D622,739 S * | 8/2010 | Bass .....      | D15/9 |
| D757,824 S * | 5/2016 | Green .....     | D15/7 |

\* cited by examiner

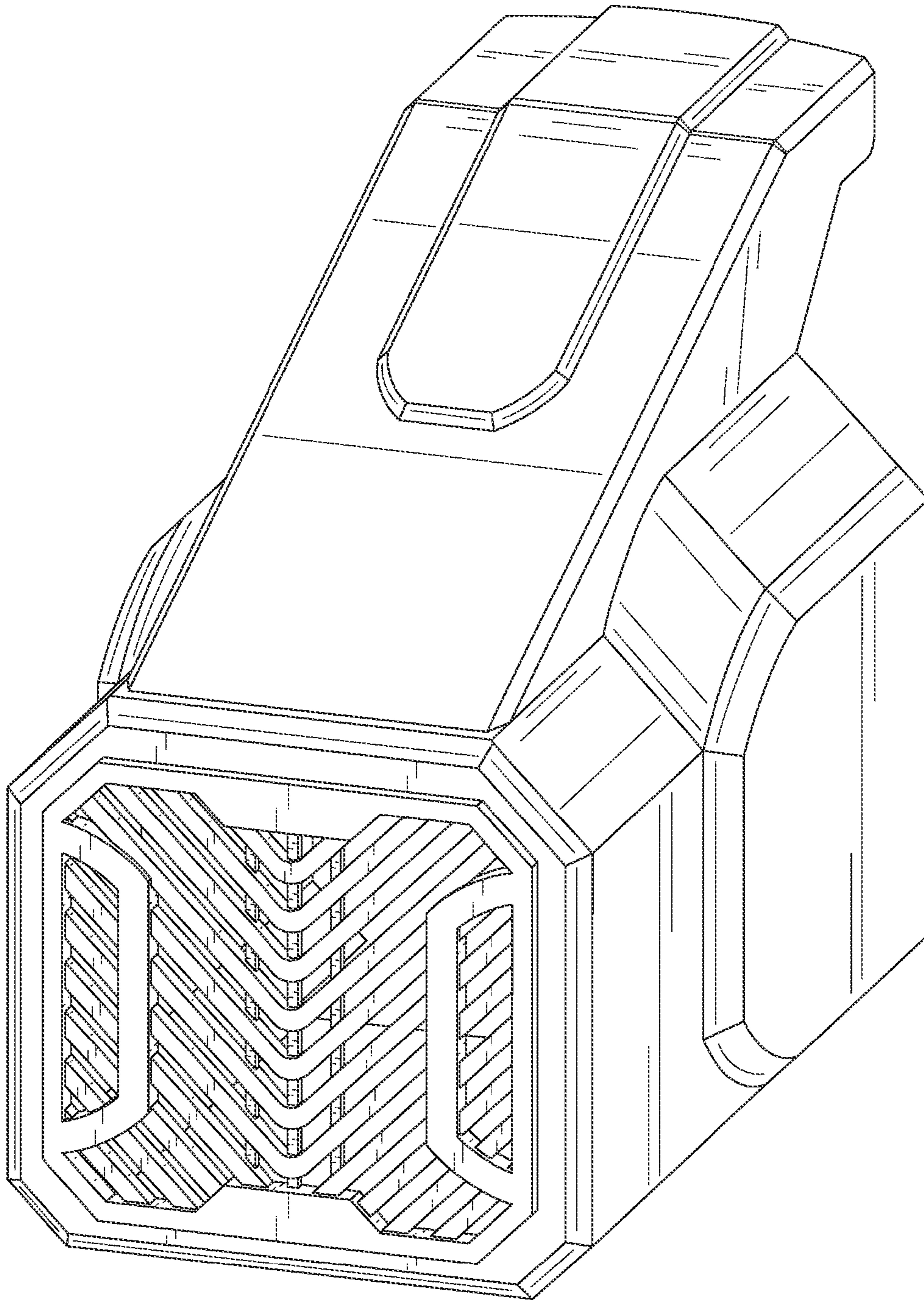


FIG. 1



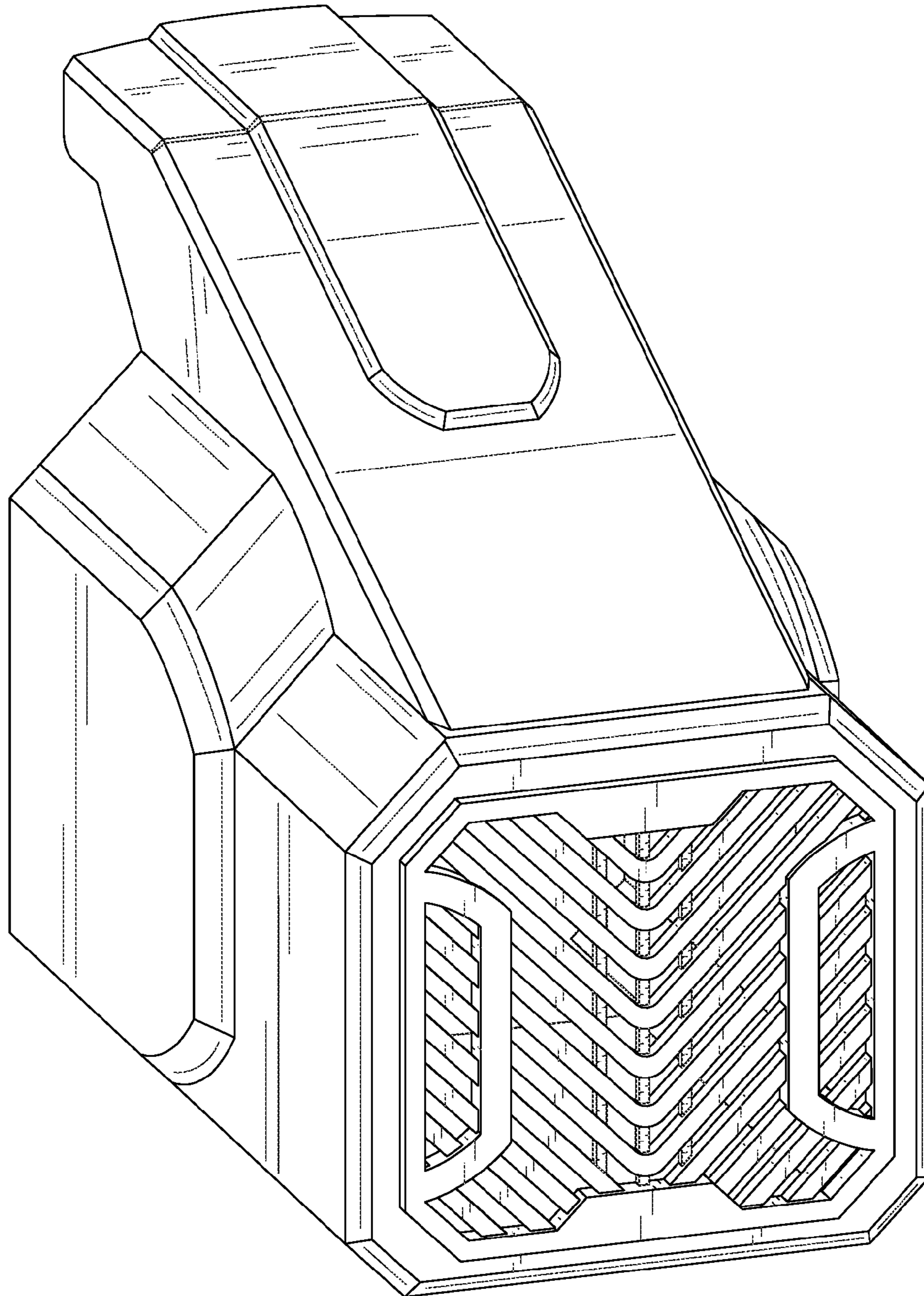


FIG. 2

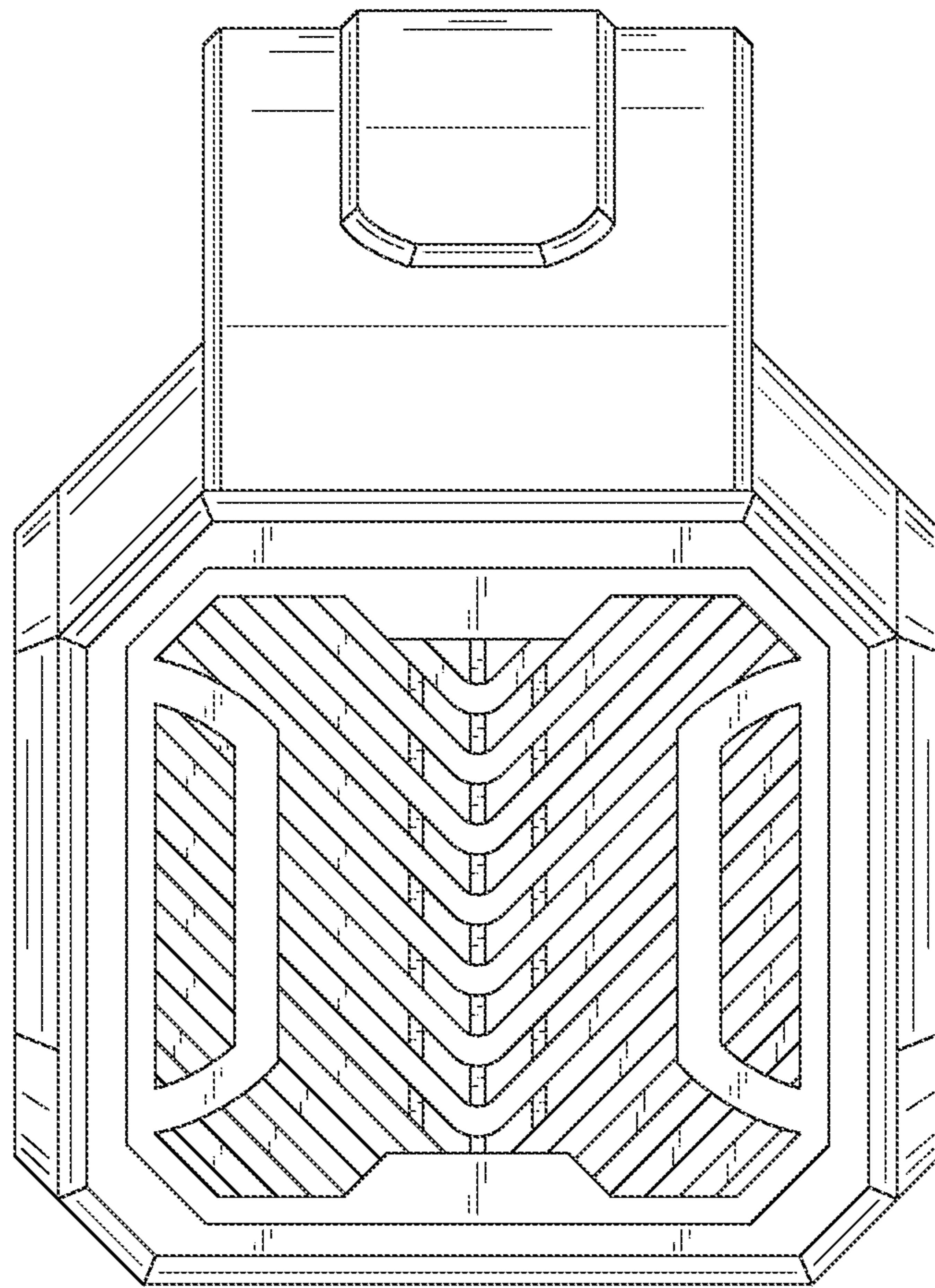


FIG. 3

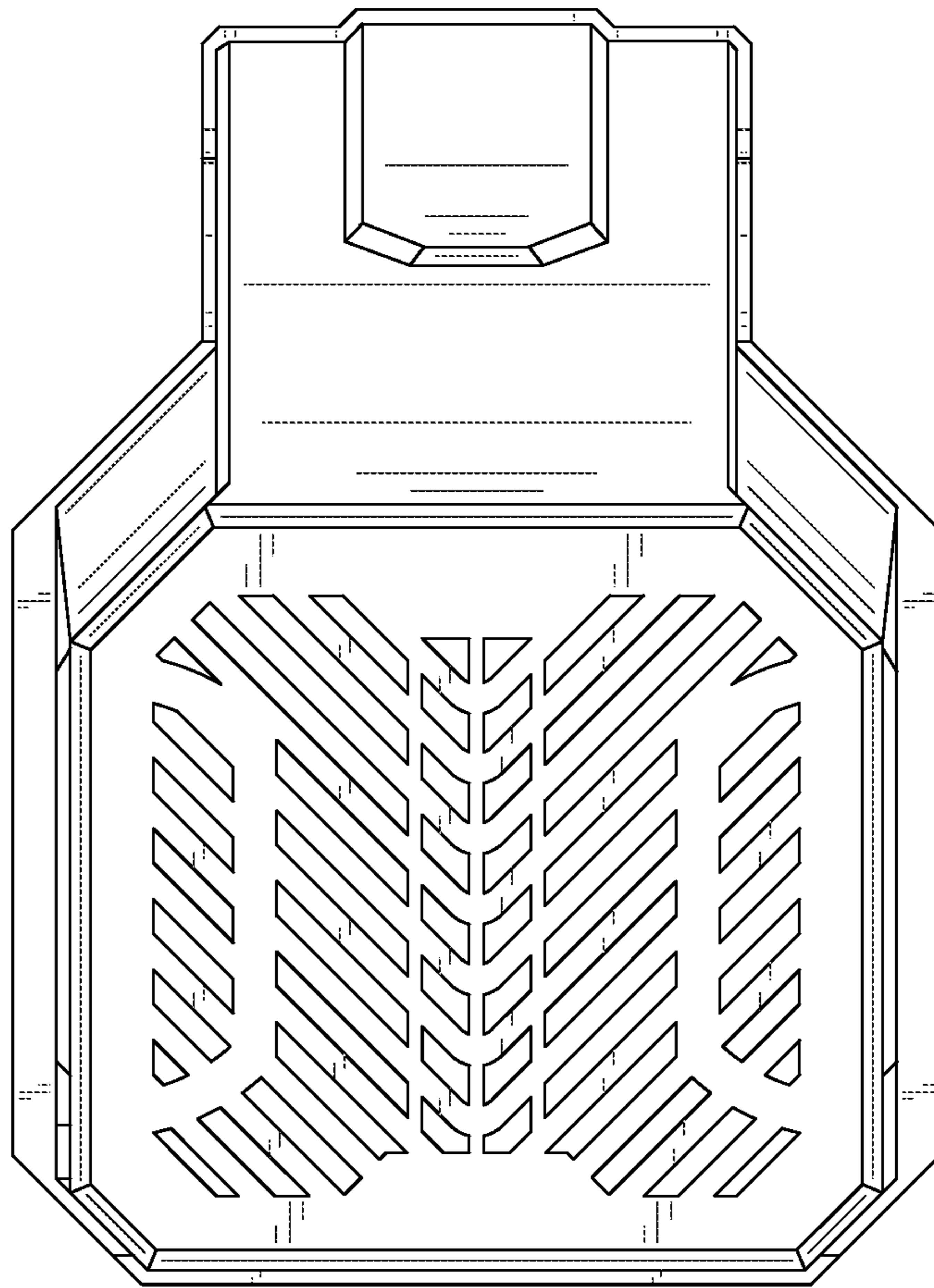


FIG. 4

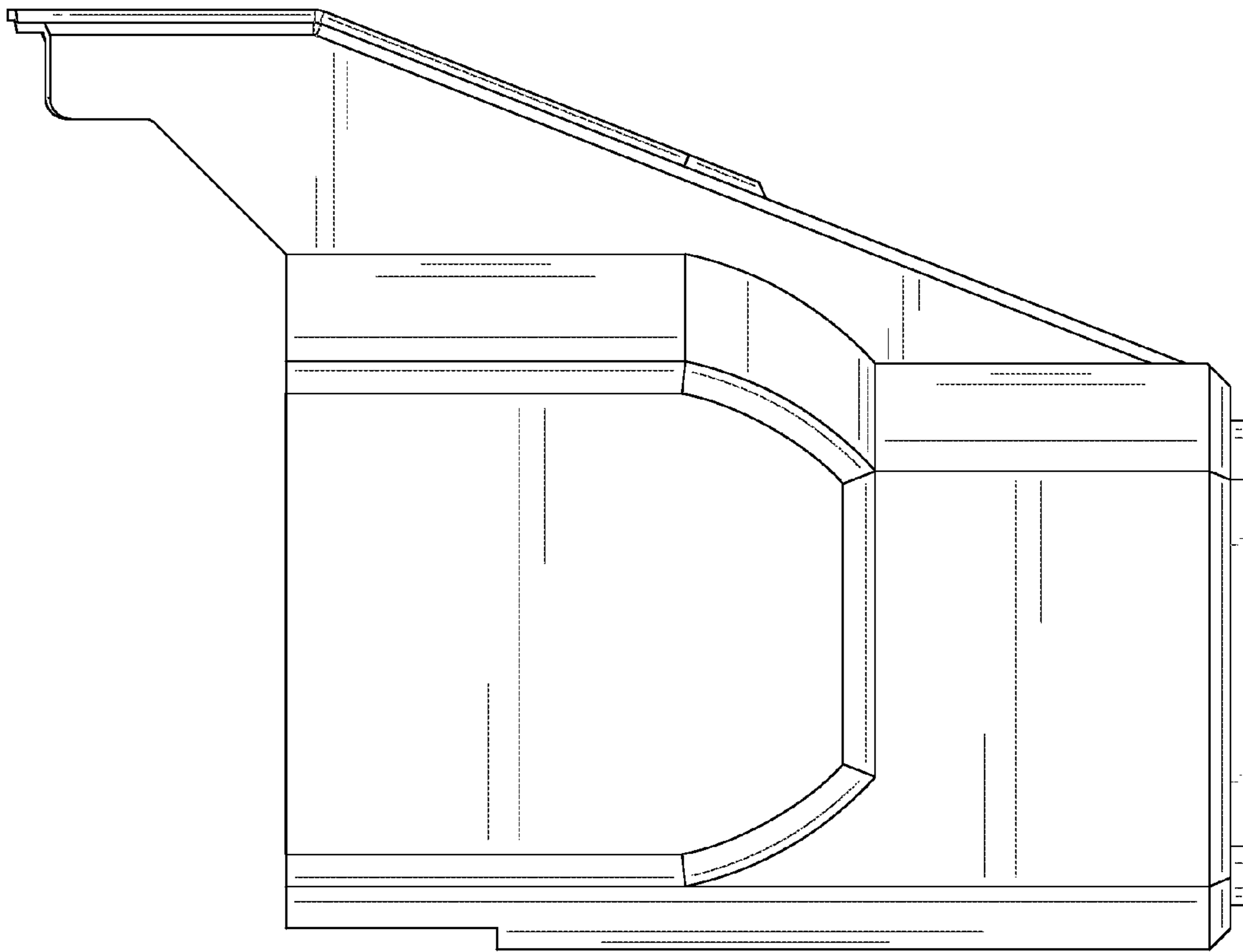


FIG. 5

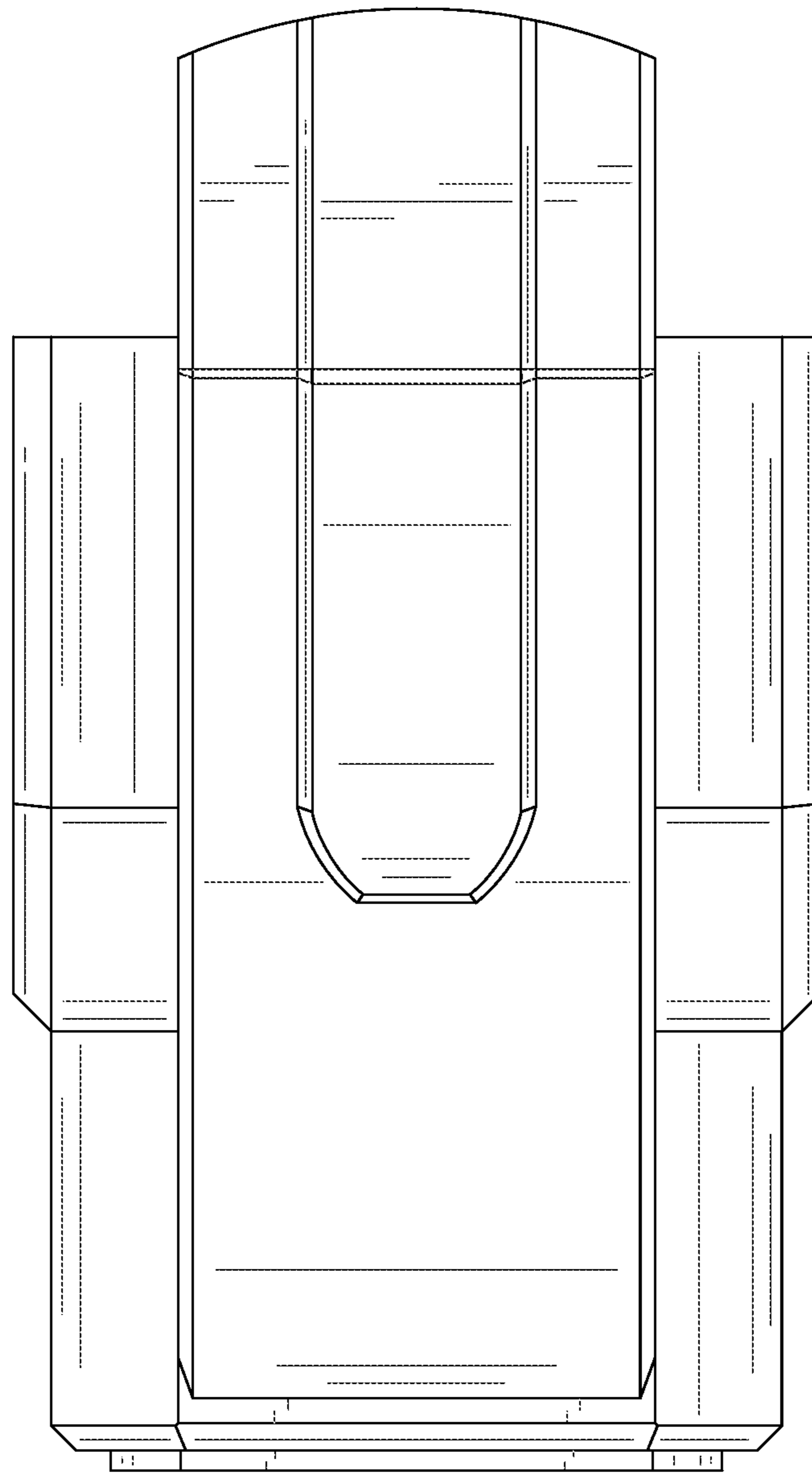


FIG.6



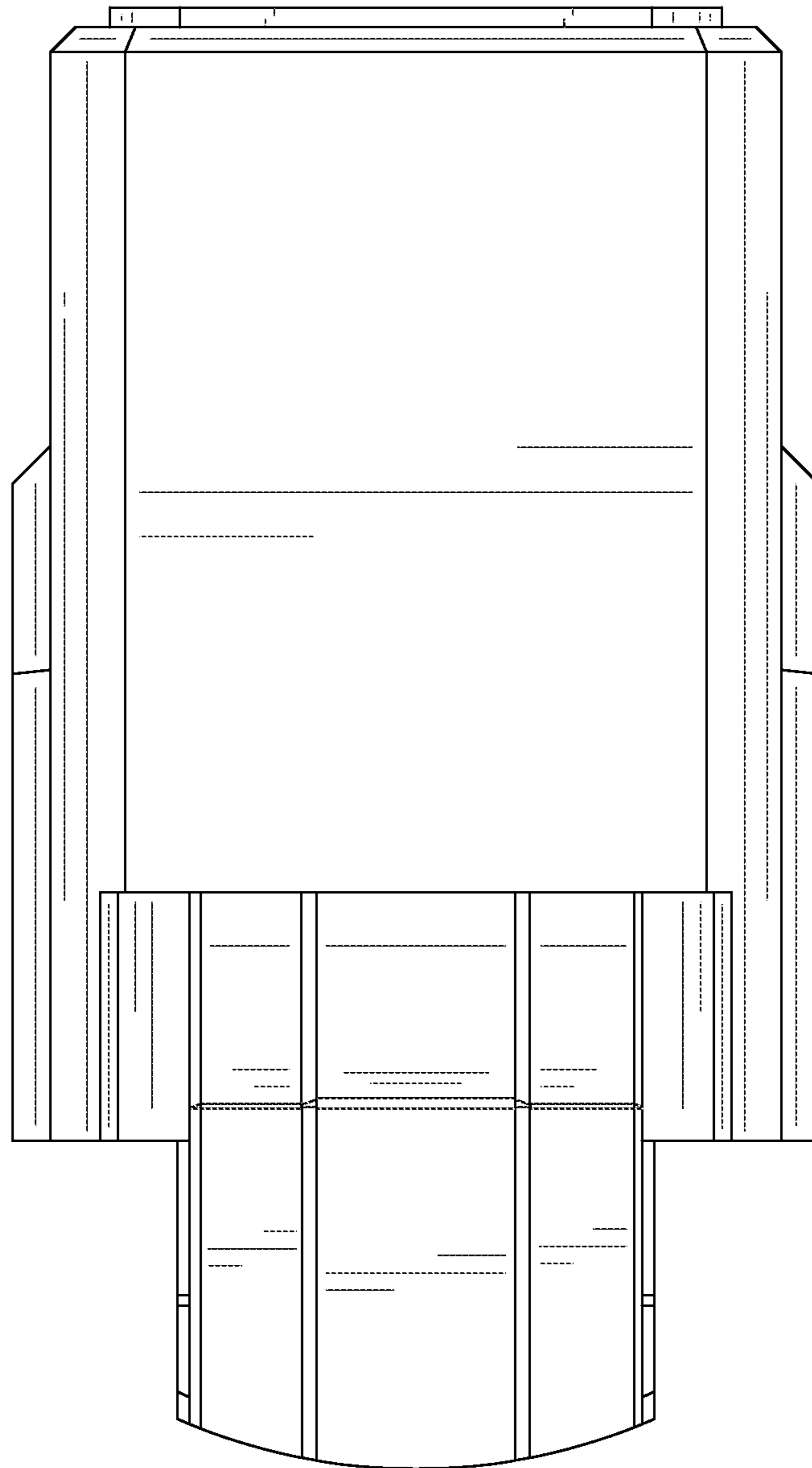


FIG. 7

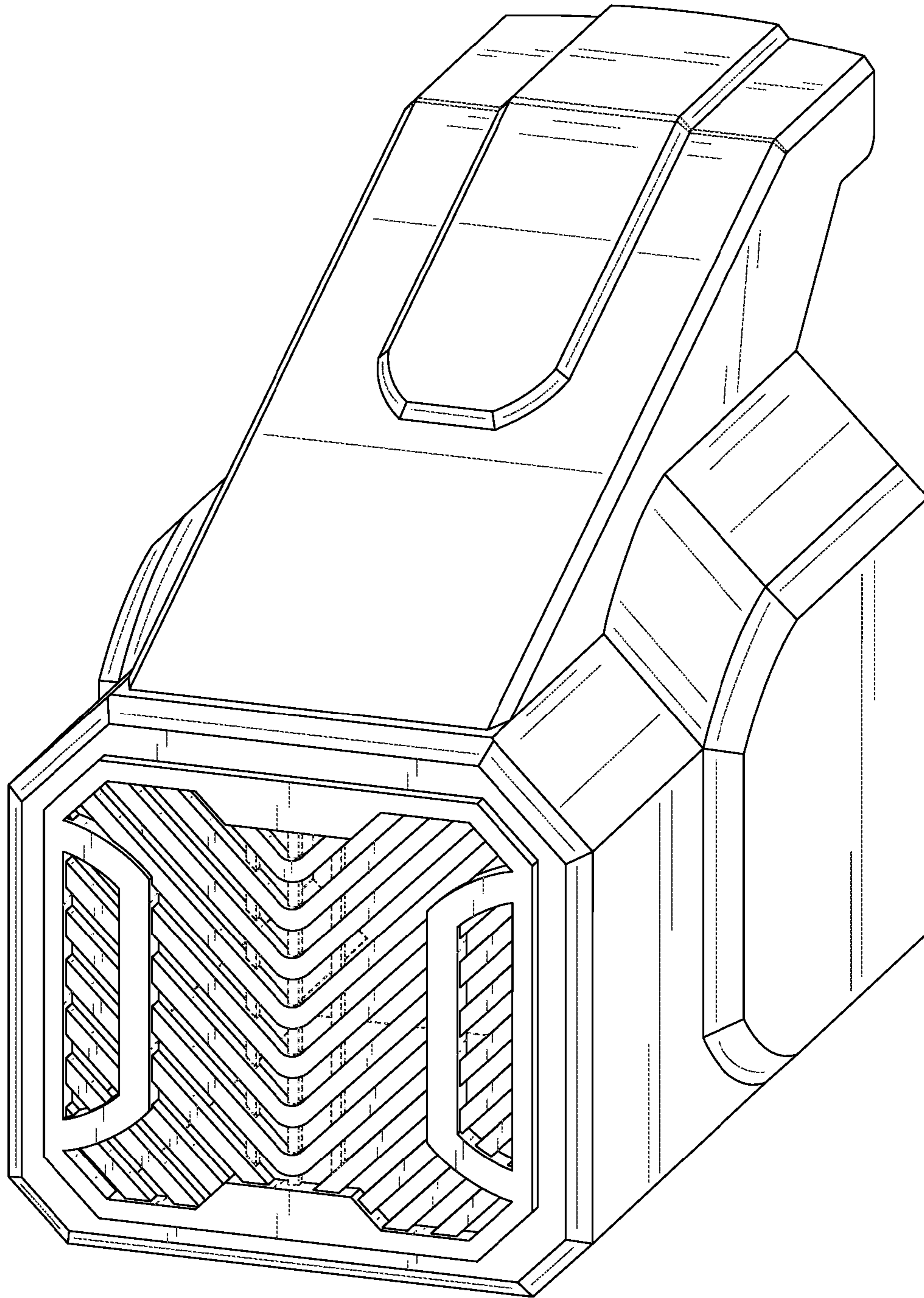


FIG. 8

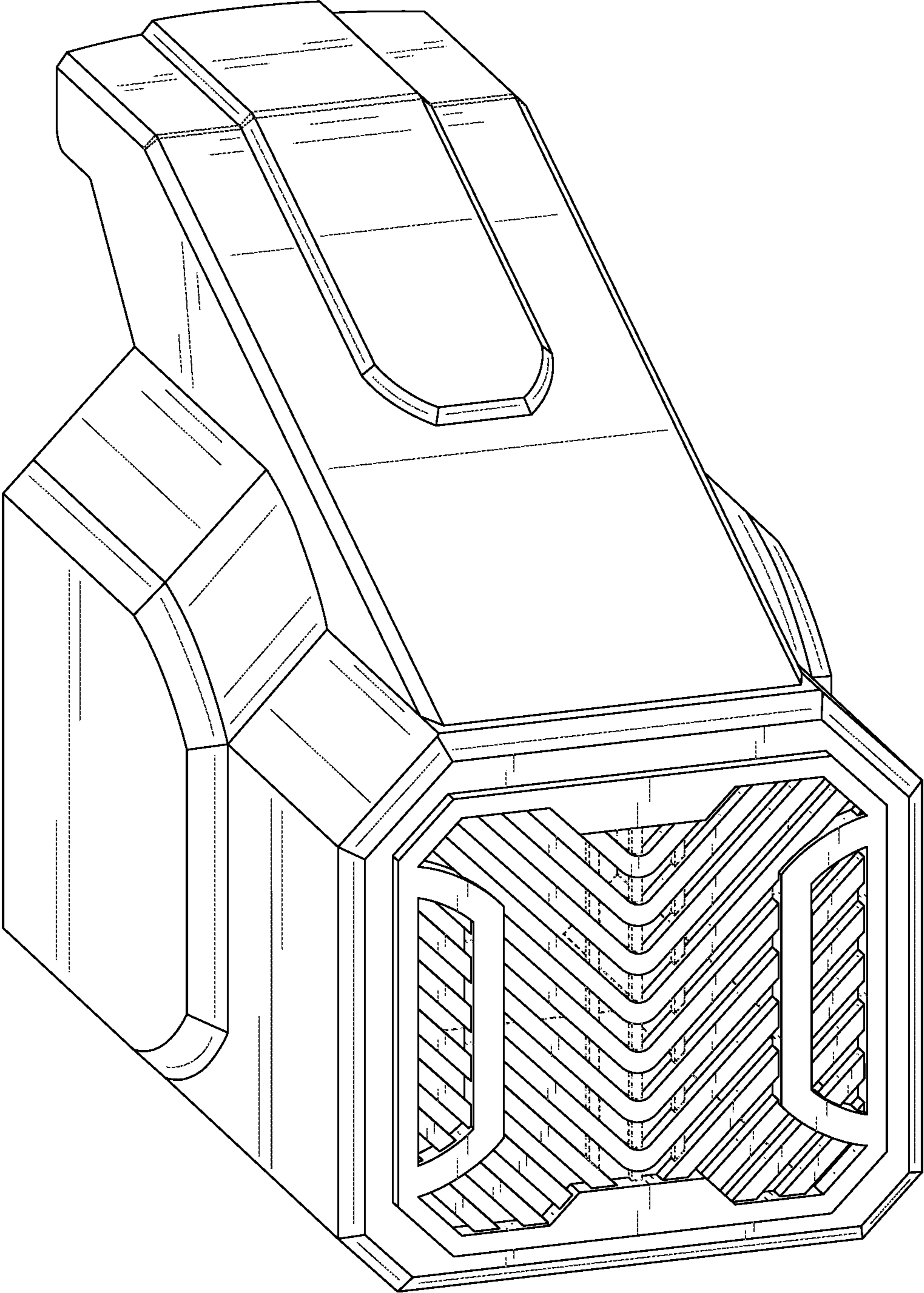


FIG. 9

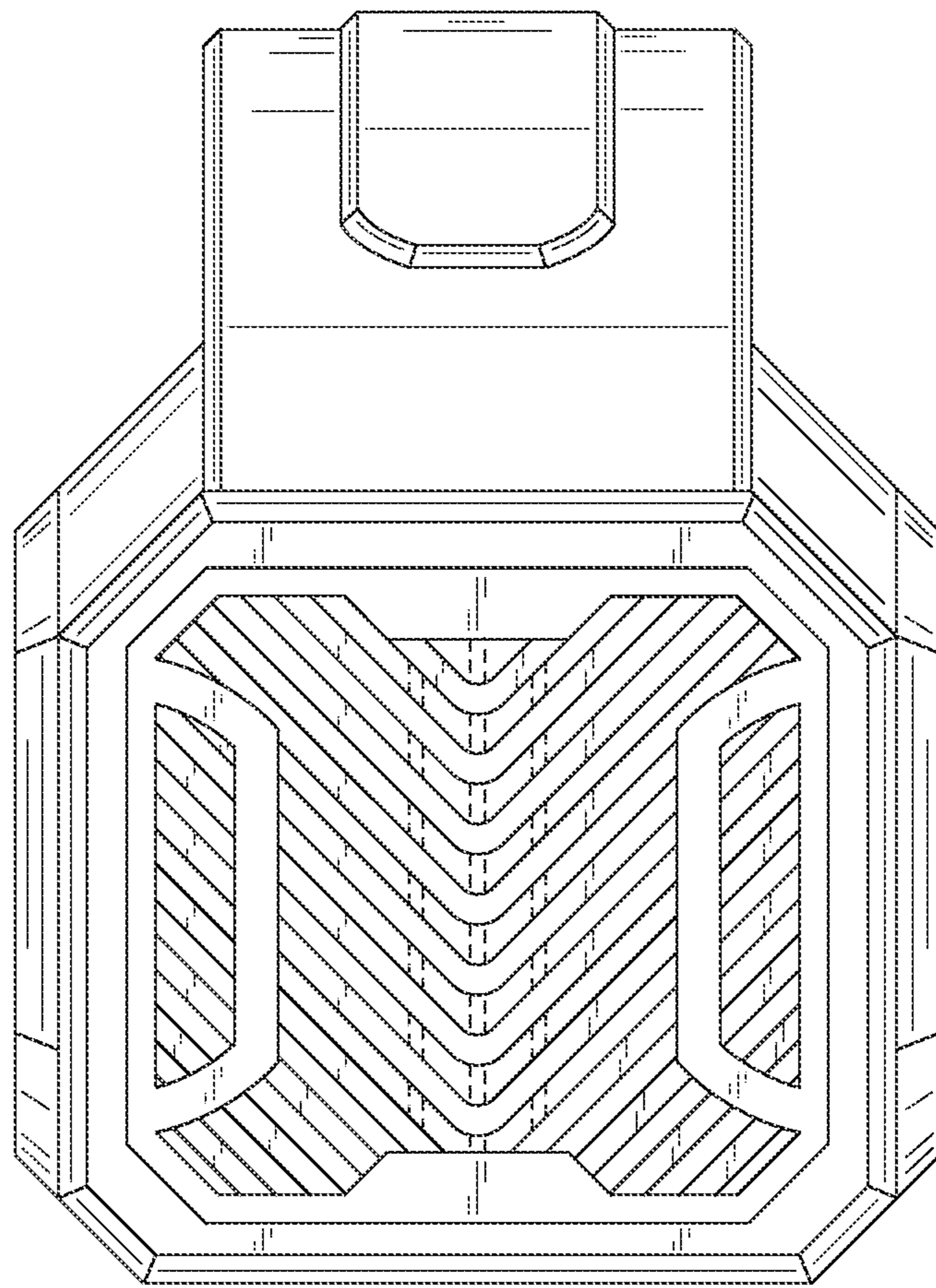


FIG. 10



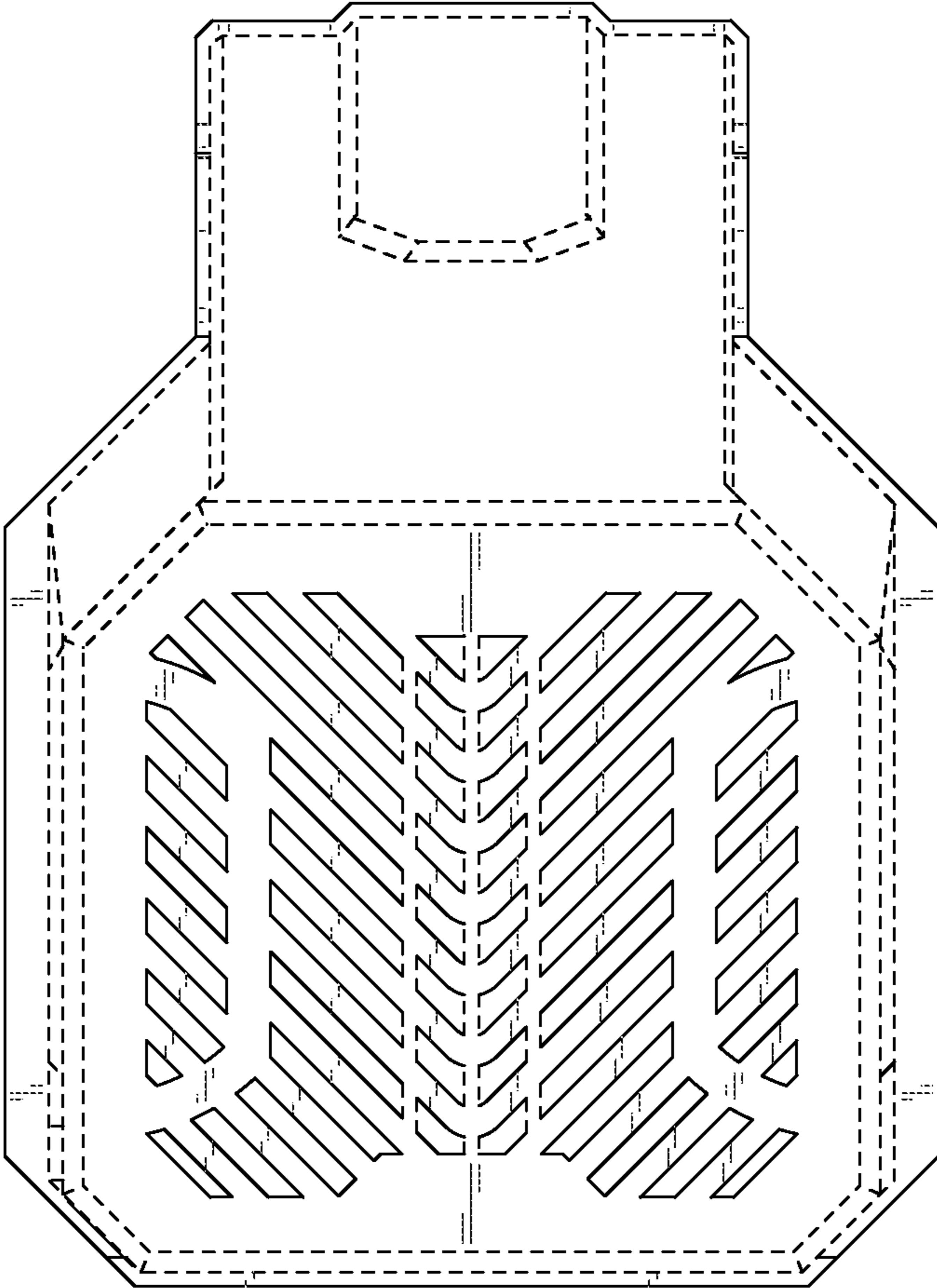


FIG. 11

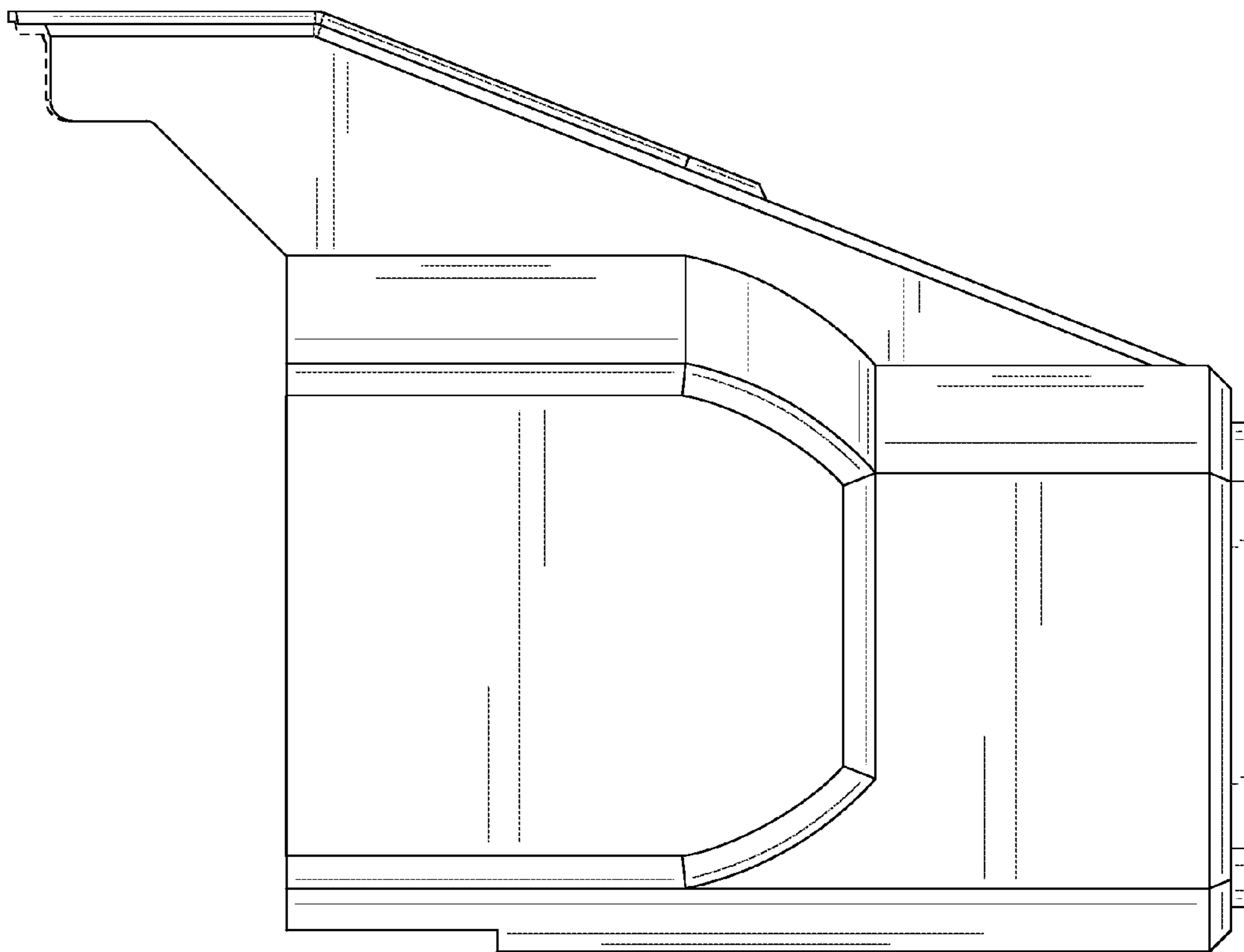


FIG. 12

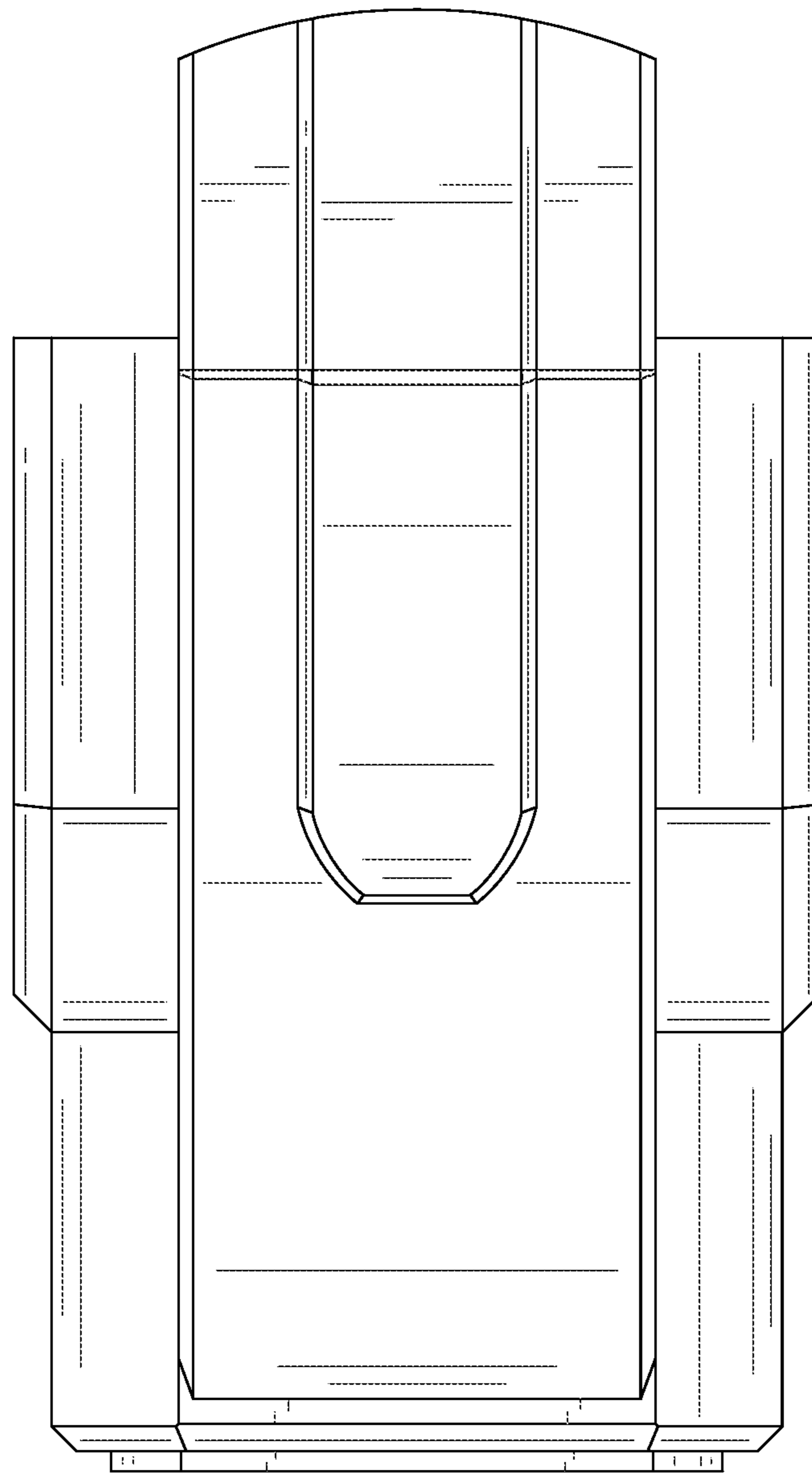


FIG. 13

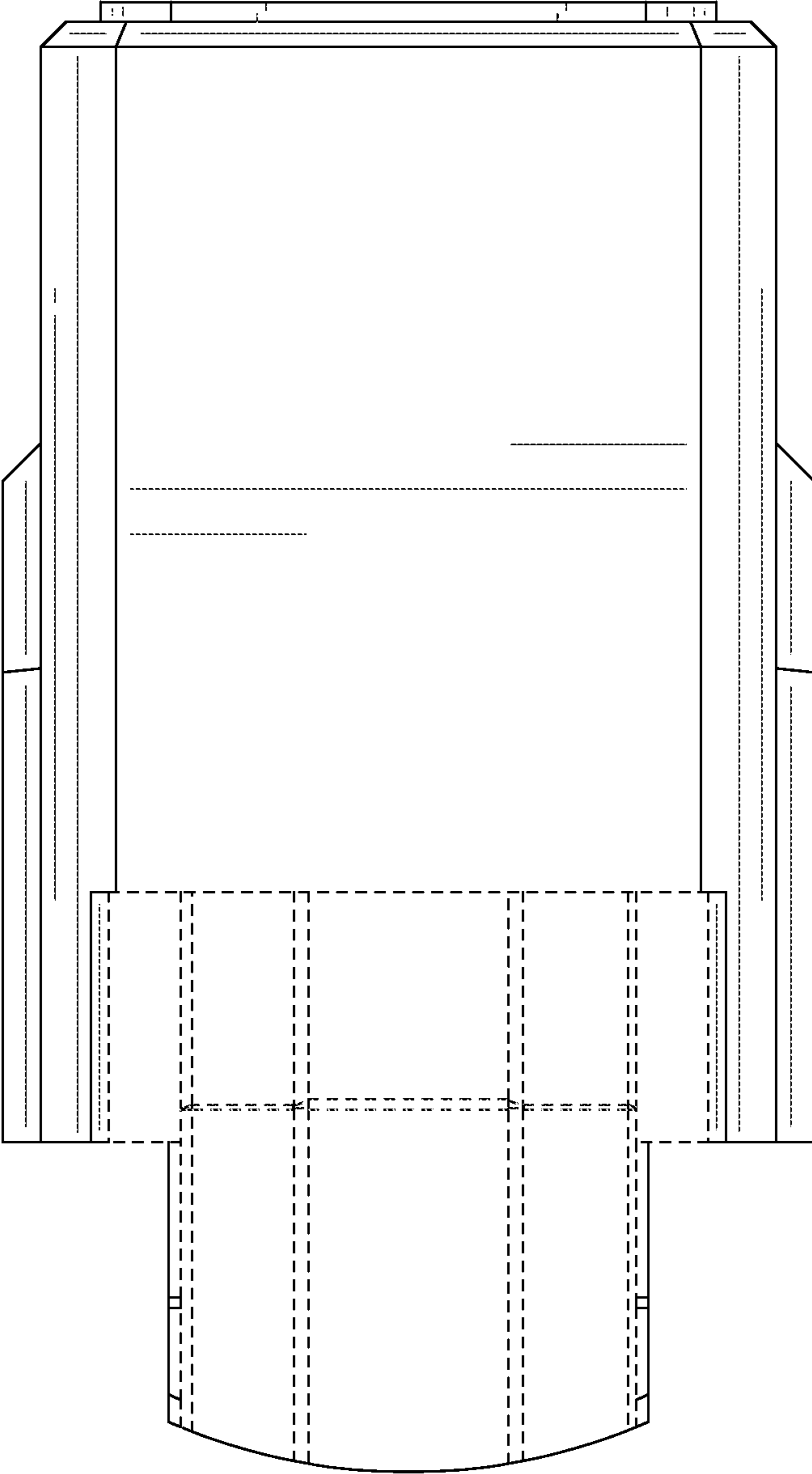


FIG. 14



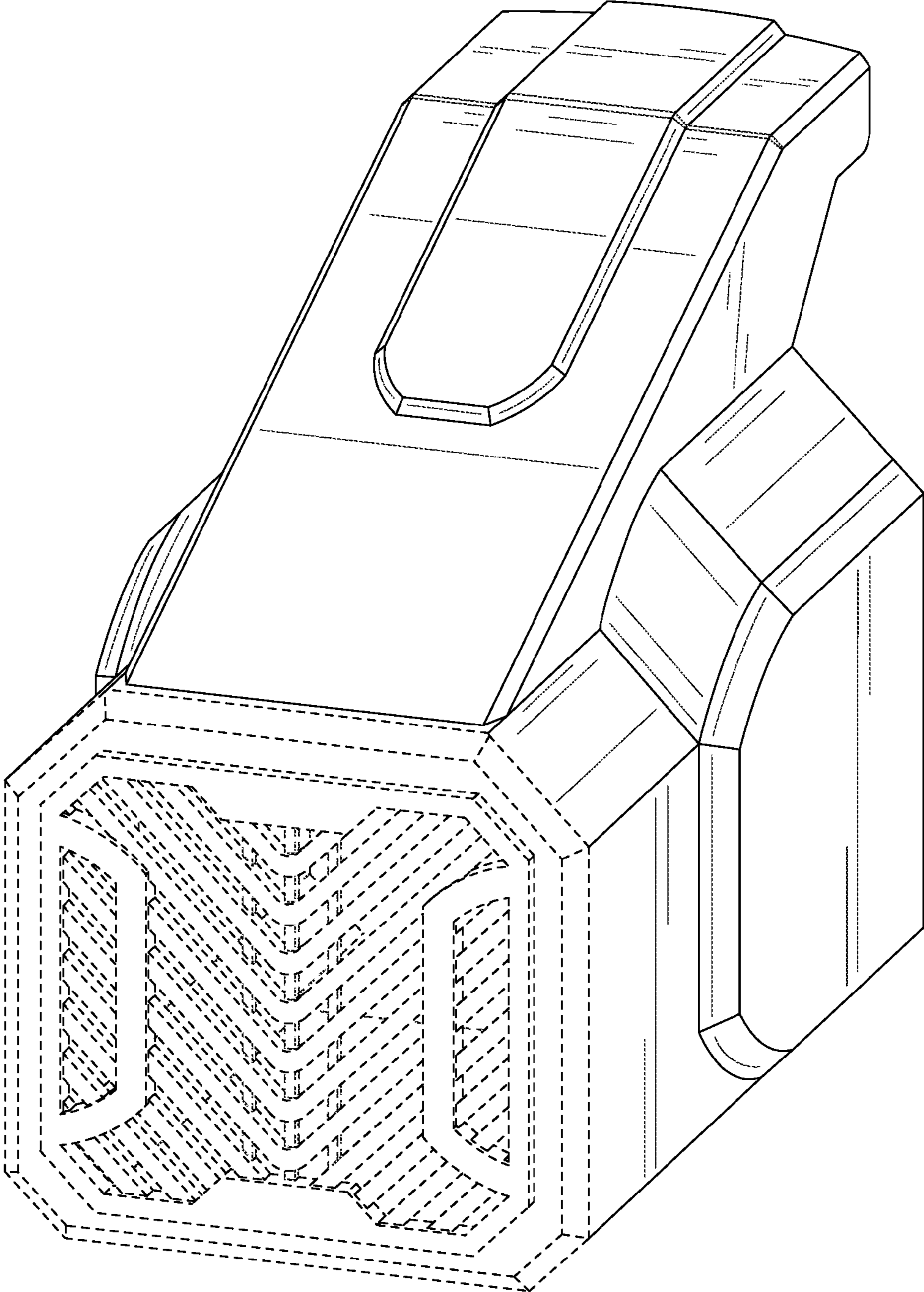


FIG. 15

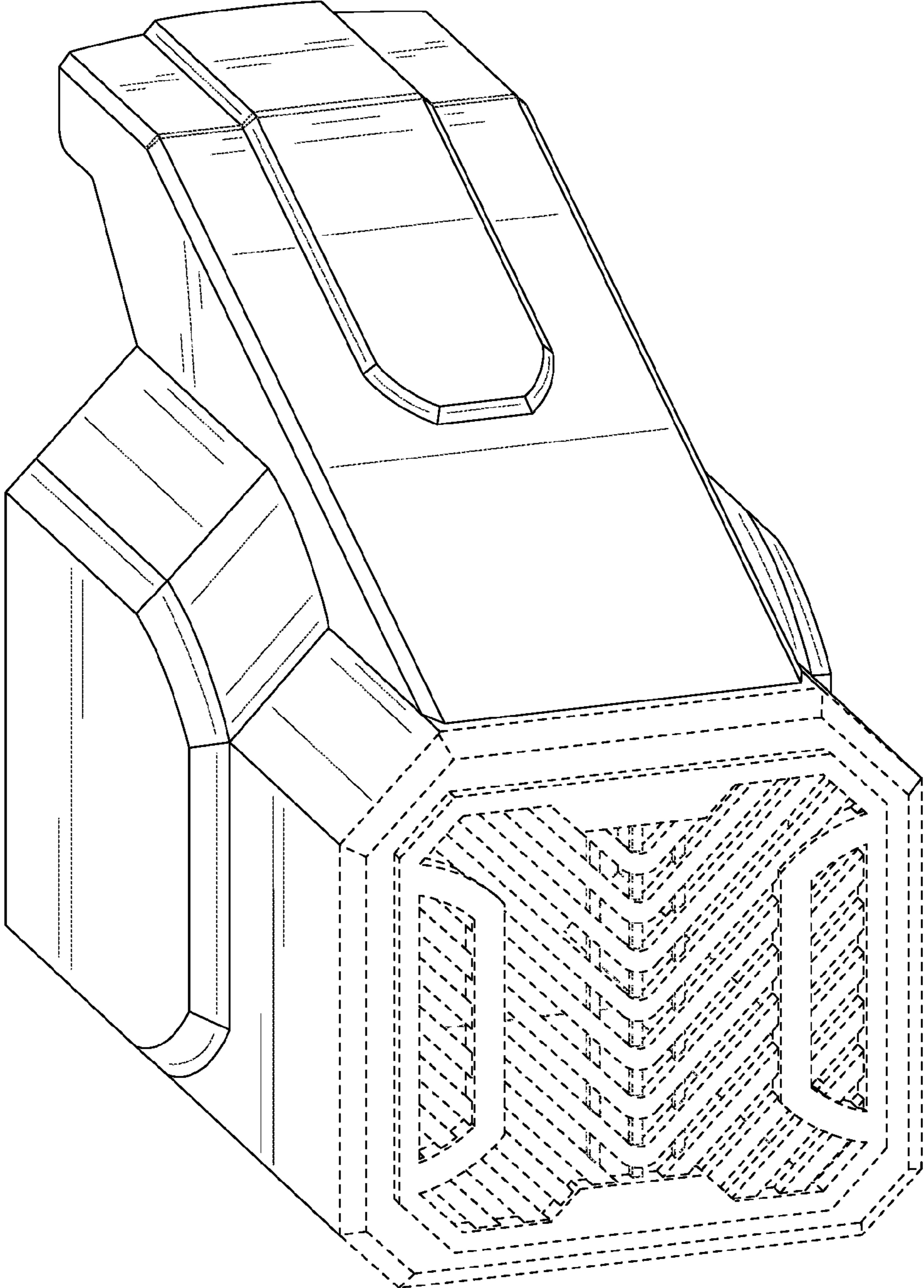


FIG. 16

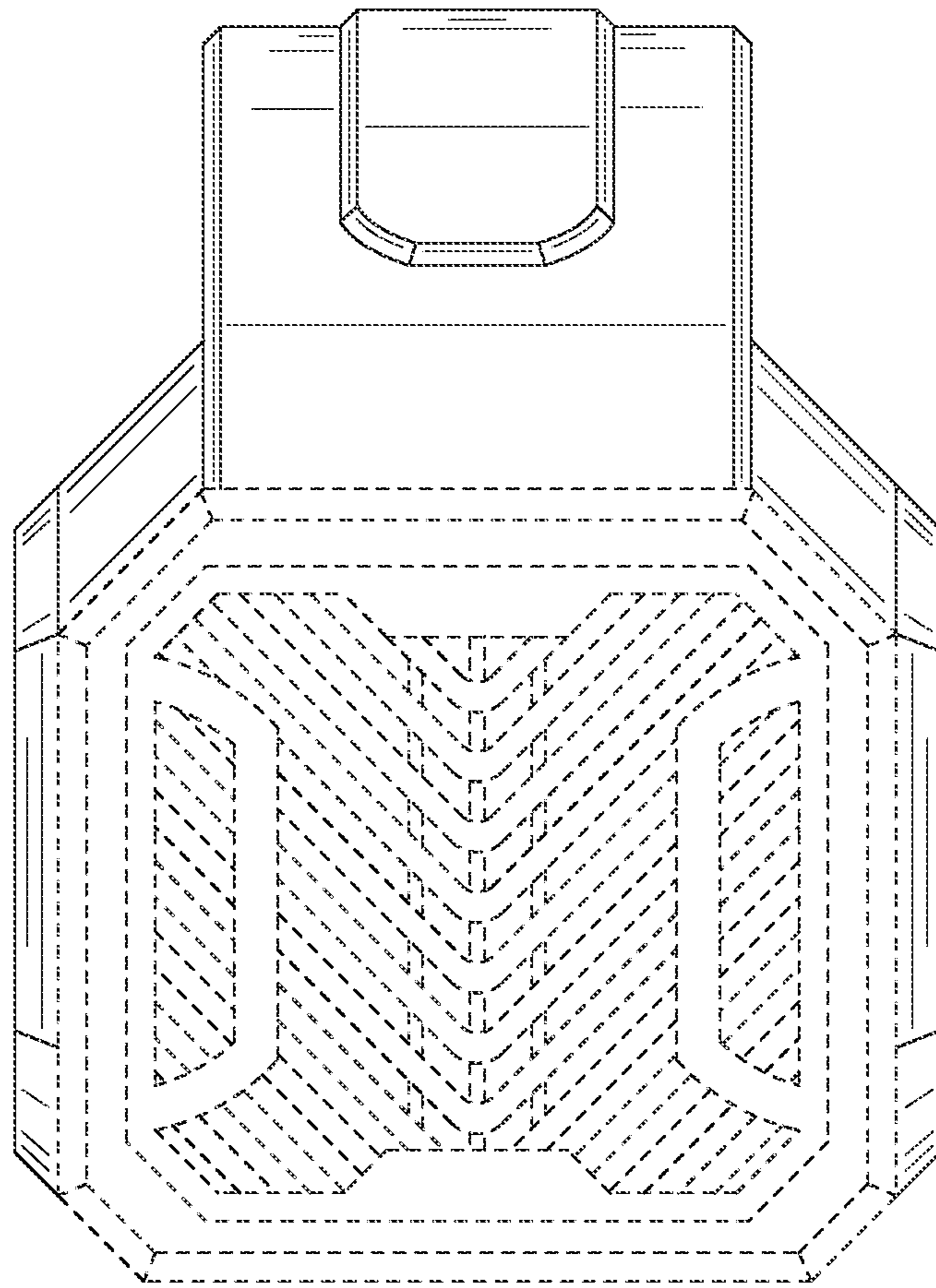


FIG. 17

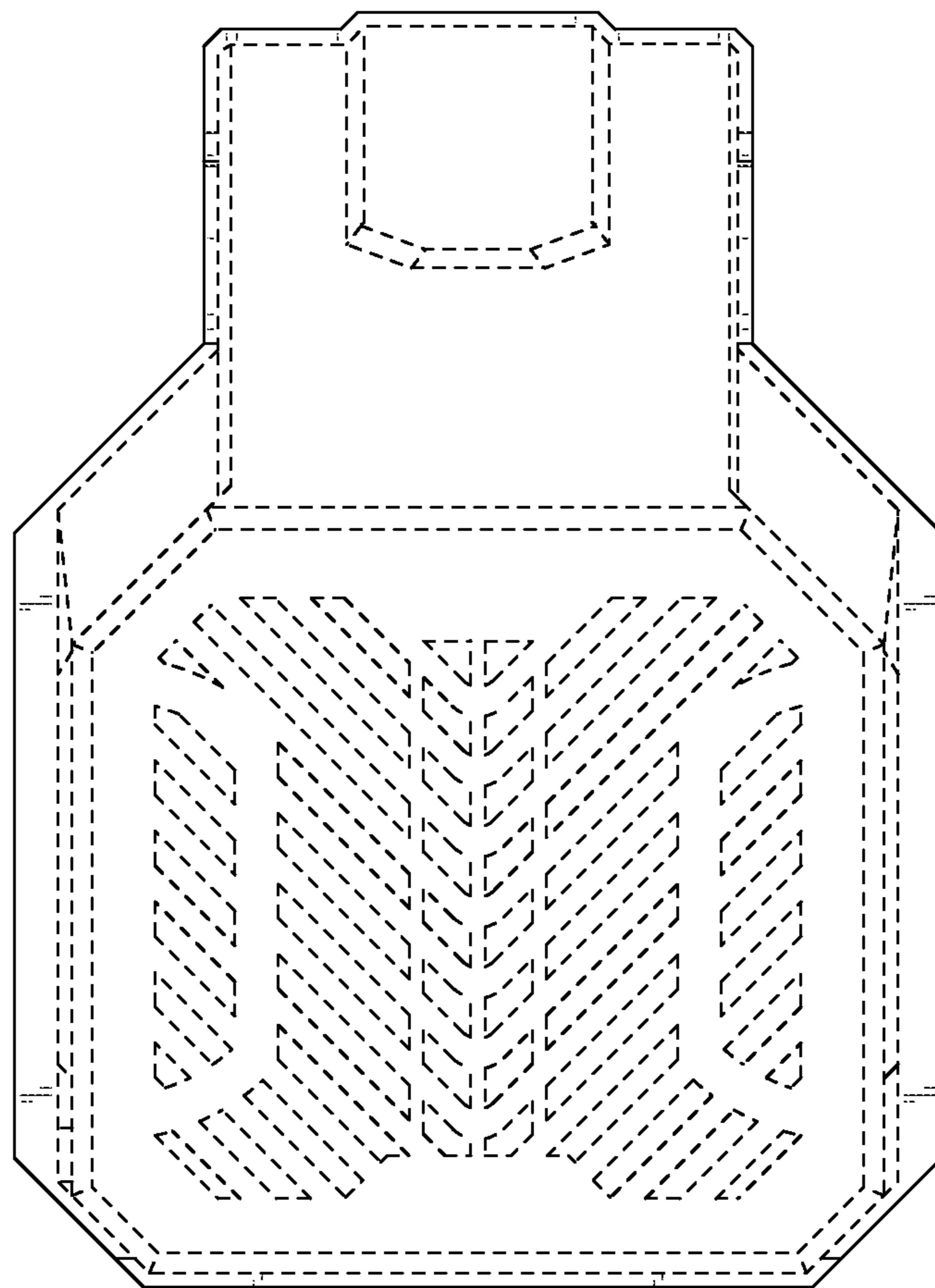


FIG. 18



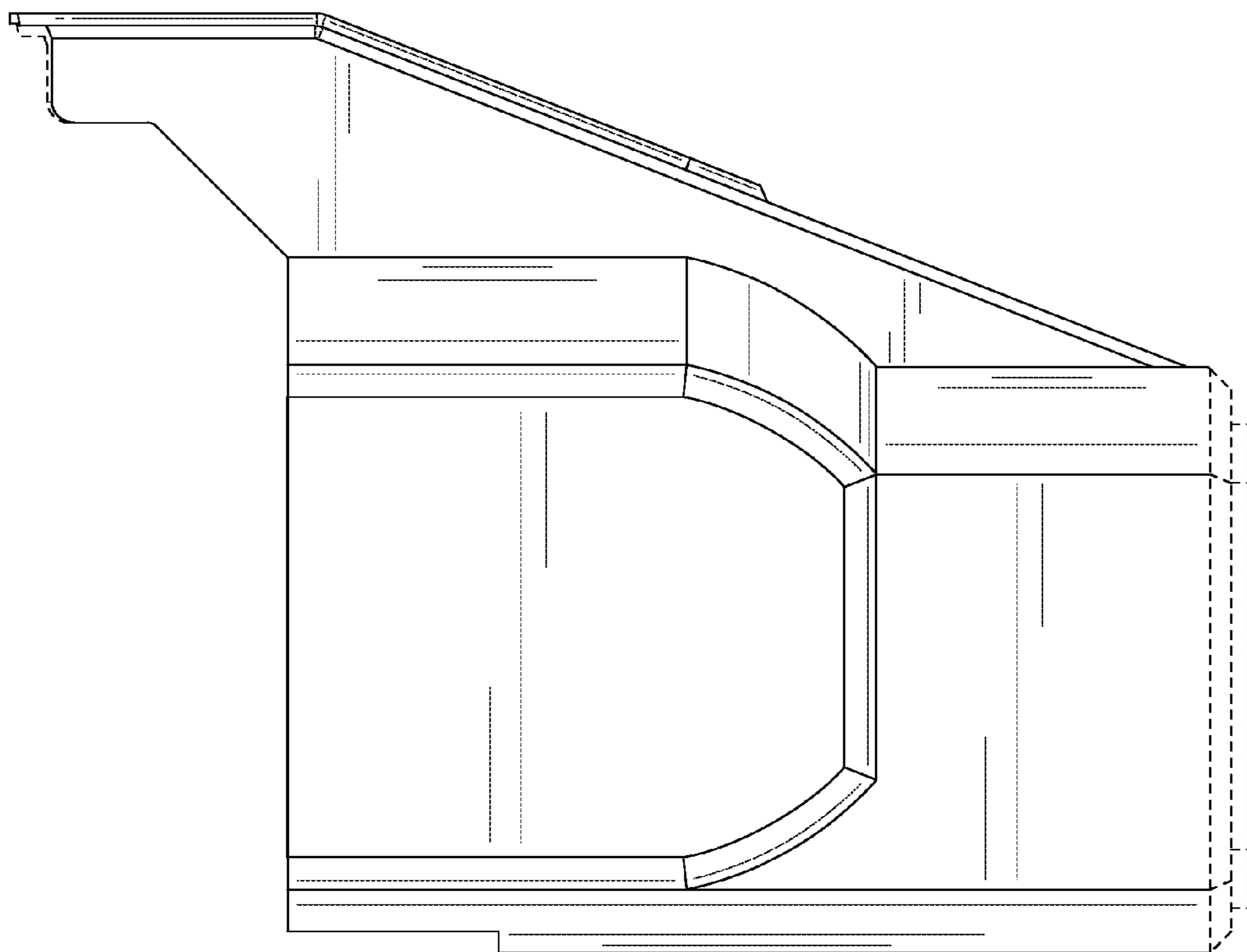


FIG. 19

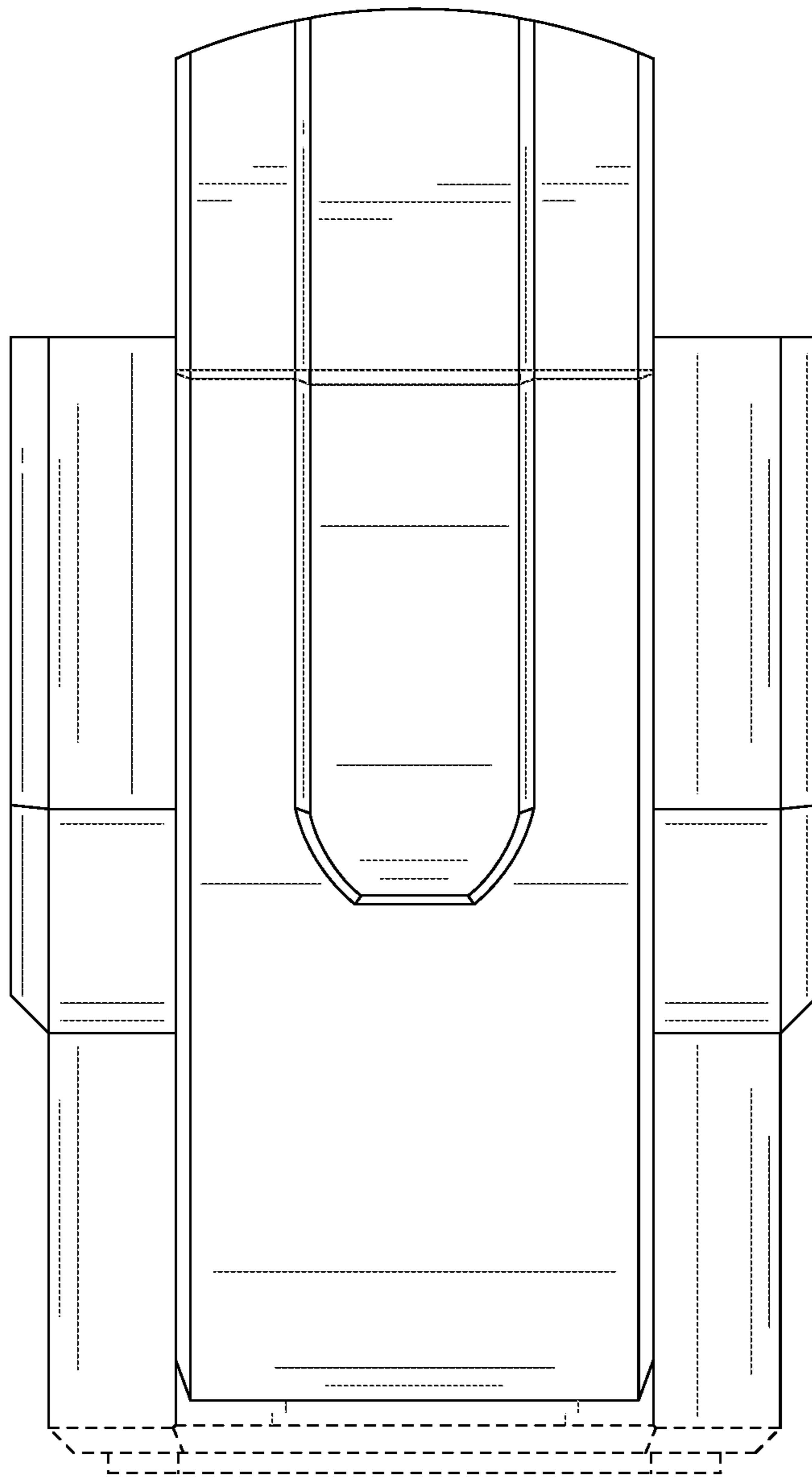


FIG. 20

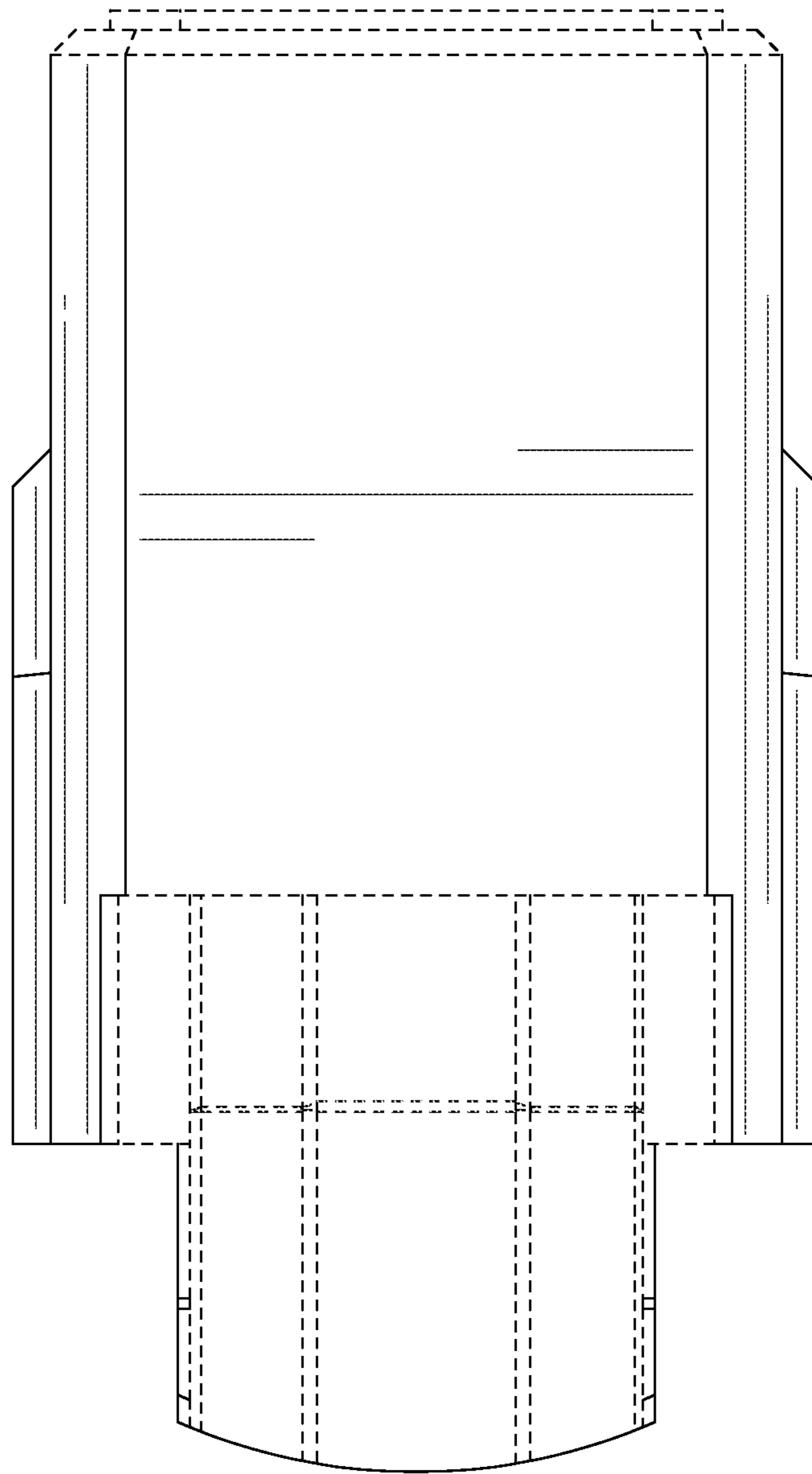


FIG. 21