



US00D778323S

(12) **United States Design Patent**
Hashimoto et al.

(10) **Patent No.:** **US D778,323 S**

(45) **Date of Patent:** **** *Feb. 7, 2017**

(54) **PUMP**

(71) Applicant: **ULVAC KIKO, INC.**, Miyazaki (JP)

(72) Inventors: **Yasuhiro Hashimoto**, Miyazaki (JP);
Naohito Taniguchi, Miyazaki (JP);
Kazuaki Miyata, Miyazaki (JP); **Koya Saeki**, Miyazaki (JP)

(73) Assignee: **ULVAC KIKO, INC.**, Miyazaki (JP)

(*) Notice: This patent is subject to a terminal disclaimer.

(**) Term: **14 Years**

(21) Appl. No.: **29/457,580**

(22) Filed: **Jun. 11, 2013**

(30) **Foreign Application Priority Data**

Dec. 18, 2012 (JP) 2012-030774

(51) **LOC (10) Cl.** **15-02**

(52) **U.S. Cl.**
USPC **D15/7**

(58) **Field of Classification Search**

USPC D15/7-9; D23/231, 232, 225; 417/60, 417/235, 265, 321, 355, 358, 363, 359, 417/410.1, 415-416, 405, 900, 360; 60/408, 412; 184/26-37; 415/140-147; 123/495, 509
CPC F04B 25/00; F04B 27/00; F04B 33/00; F04B 35/00; F04B 37/00; F04B 39/00; F04B 39/12; F04B 41/00; F04B 7/00; F04B 9/08; F04B 43/00; F04B 43/04; F04B 43/06

See application file for complete search history.

(56) **References Cited**

U.S. PATENT DOCUMENTS

5,269,664	A	*	12/1993	Buse	417/360
D391,270	S	*	2/1998	Chowdhury	D15/7
6,328,538	B1	*	12/2001	Rademacher	417/307
D602,500	S	*	10/2009	Tokunaga et al.	D15/7
D680,134	S	*	4/2013	Fordyce et al.	D15/7
D696,300	S	*	12/2013	Arotzarena et al.	D15/7
D700,215	S	*	2/2014	Ueda	D15/9
D700,216	S	*	2/2014	Ueda	D15/9
D701,537	S	*	3/2014	Ueda et al.	D15/9

* cited by examiner

Primary Examiner — Ralf Seifert

(74) *Attorney, Agent, or Firm* — Saliwanchik, Lloyd & Eisenschenk

(57) **CLAIM**

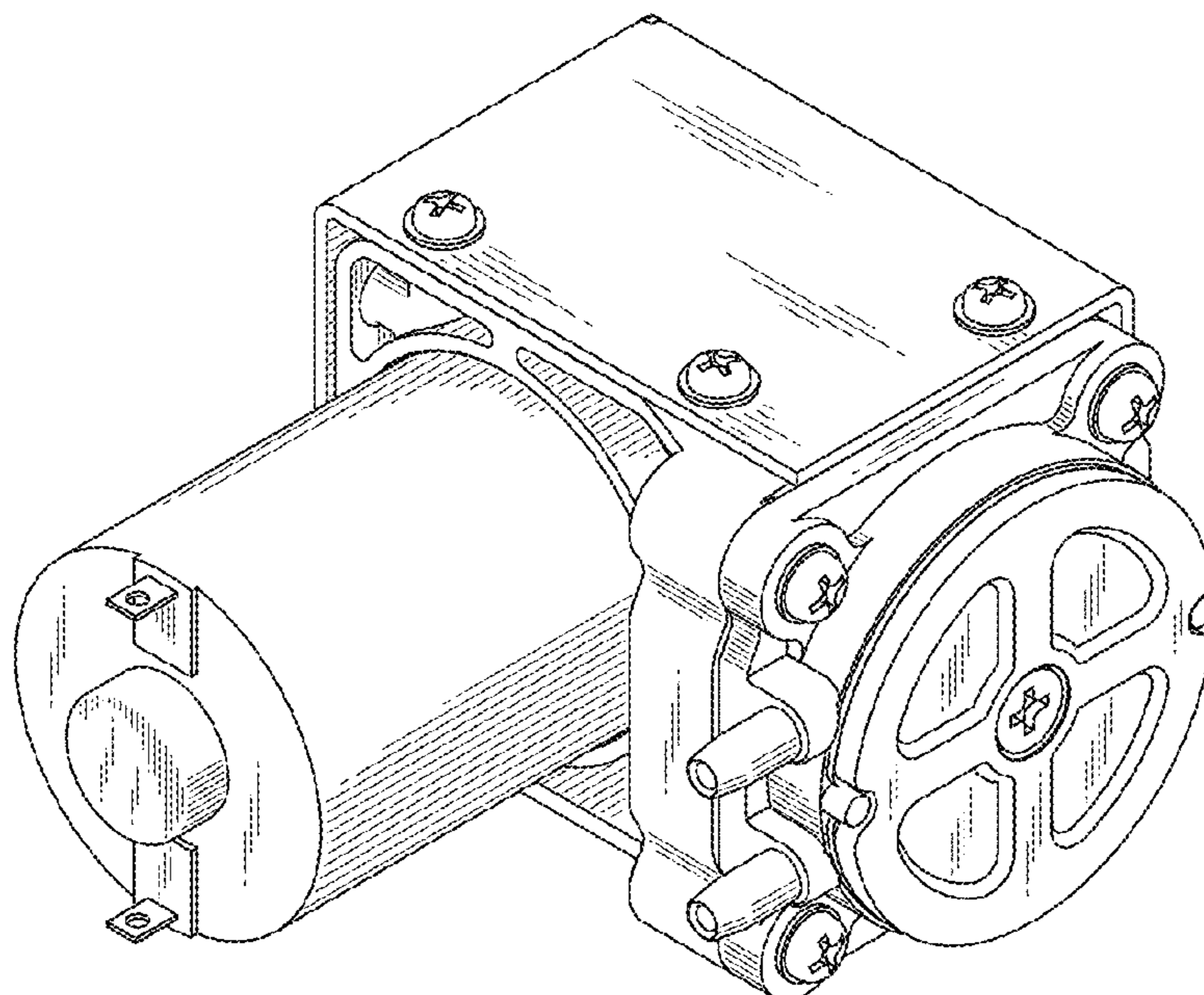
The ornamental design for a pump, as shown and described.

DESCRIPTION

FIG. 1 is a top, front and right side perspective view of a pump showing our new design; FIG. 2 is a top, front and left side perspective view thereof; FIG. 3 is a front elevational view thereof; FIG. 4 is a rear elevational view thereof; FIG. 5 is a right side elevational view thereof; FIG. 6 is a left side elevational view thereof; FIG. 7 is a top plan view thereof; and, FIG. 8 is a bottom plan view thereof.

The broken lines are included for the purpose of illustrating portions of the pump that form no part of the claimed design.

1 Claim, 4 Drawing Sheets



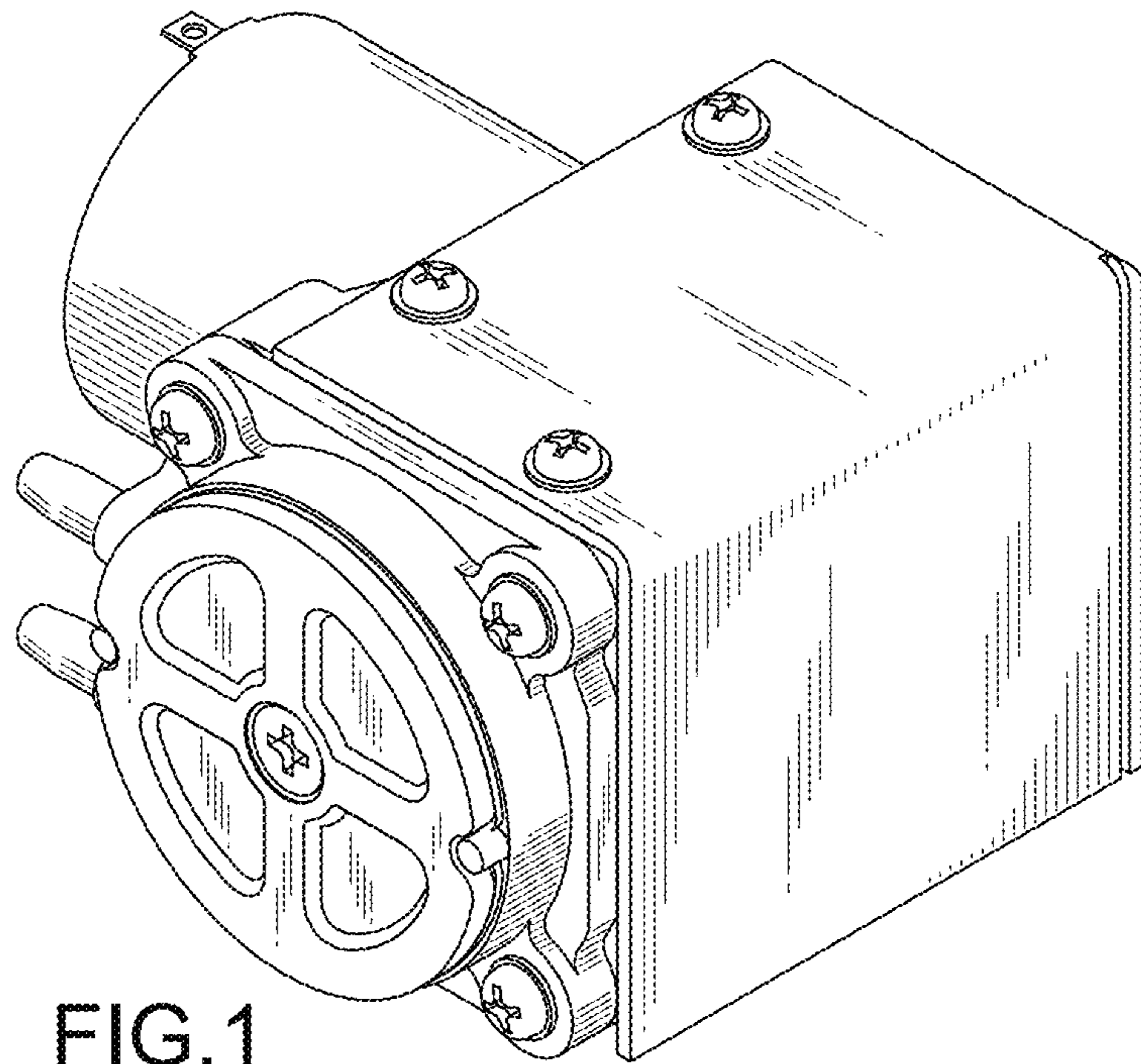


FIG.1

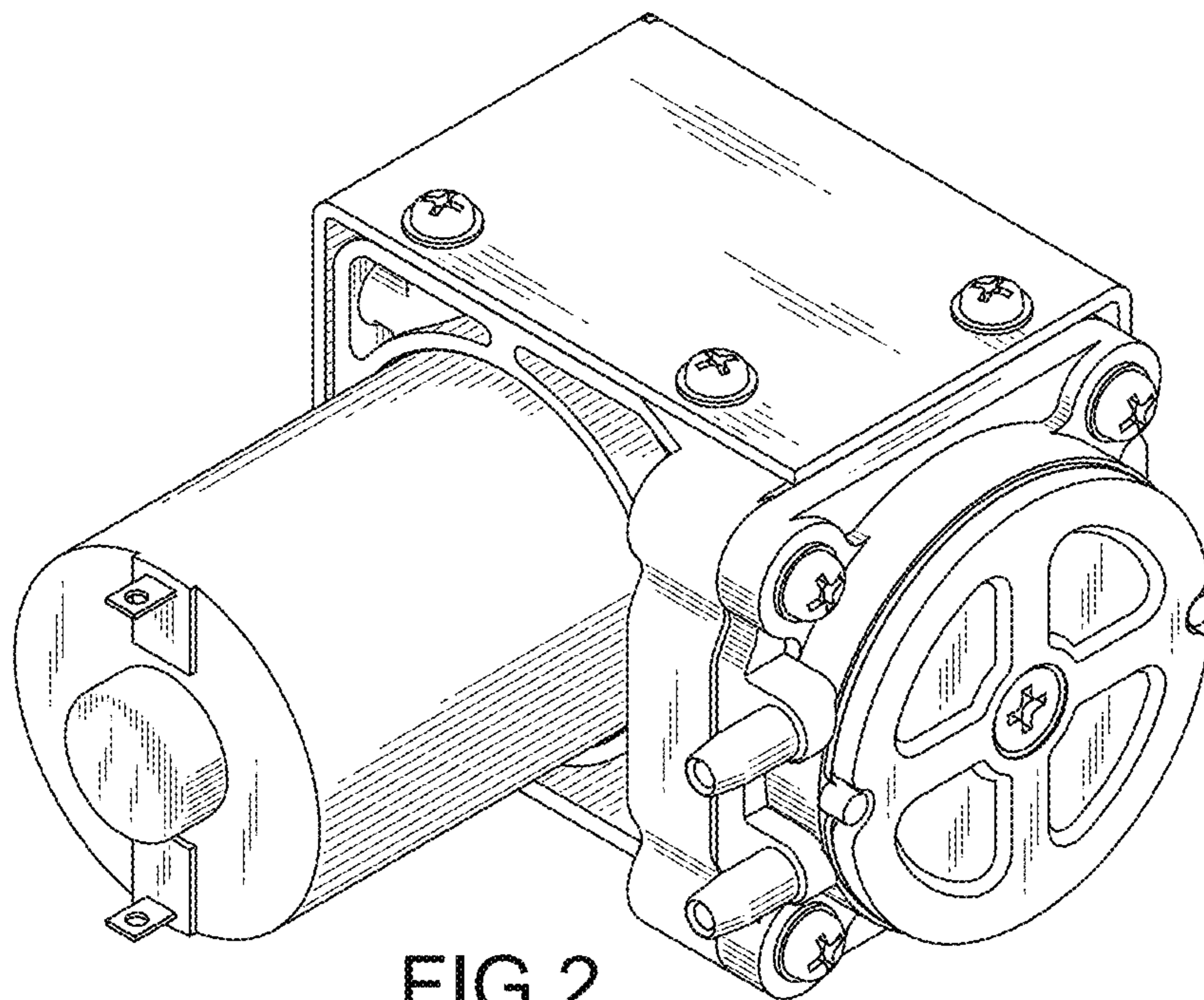


FIG.2

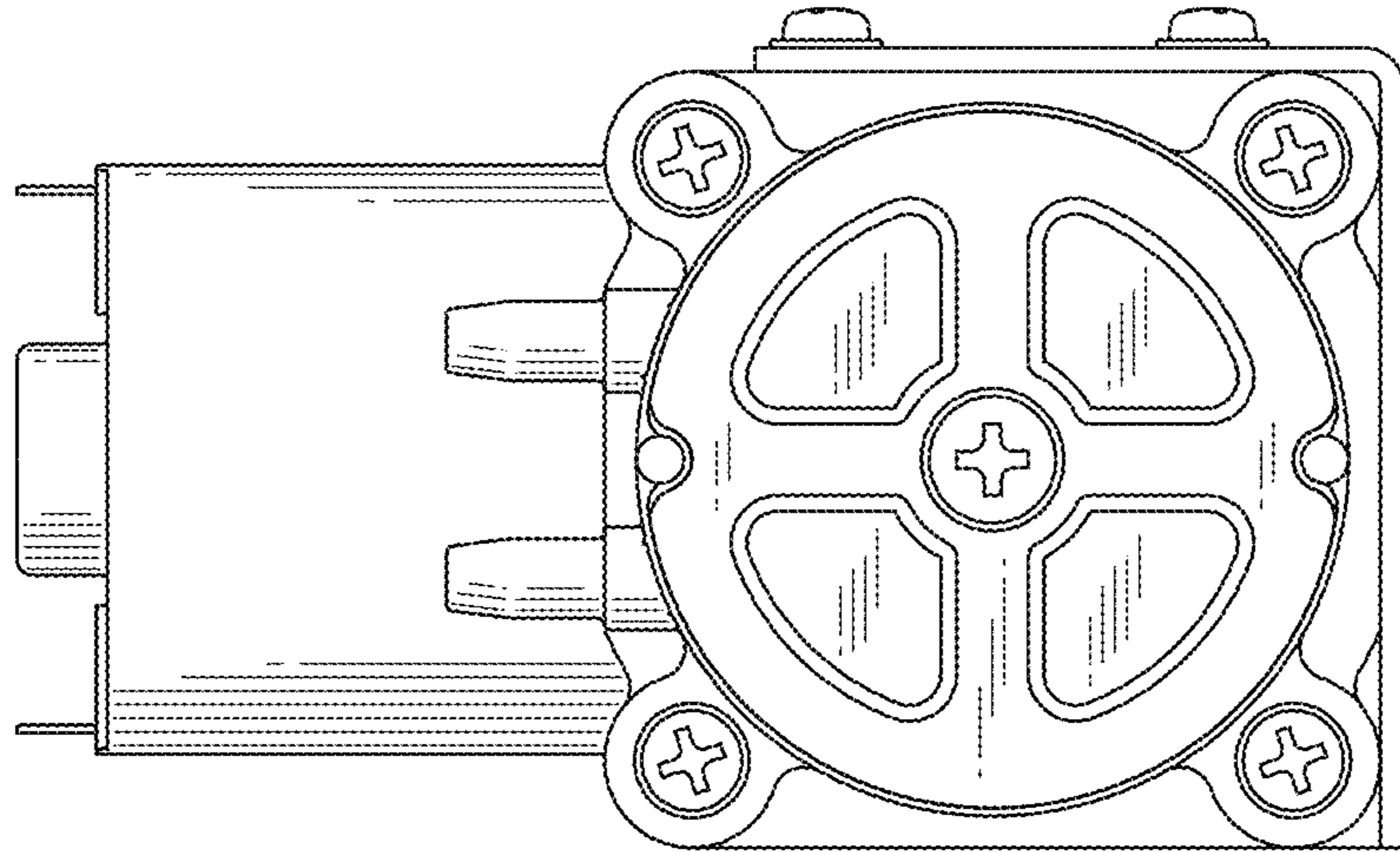


FIG.3

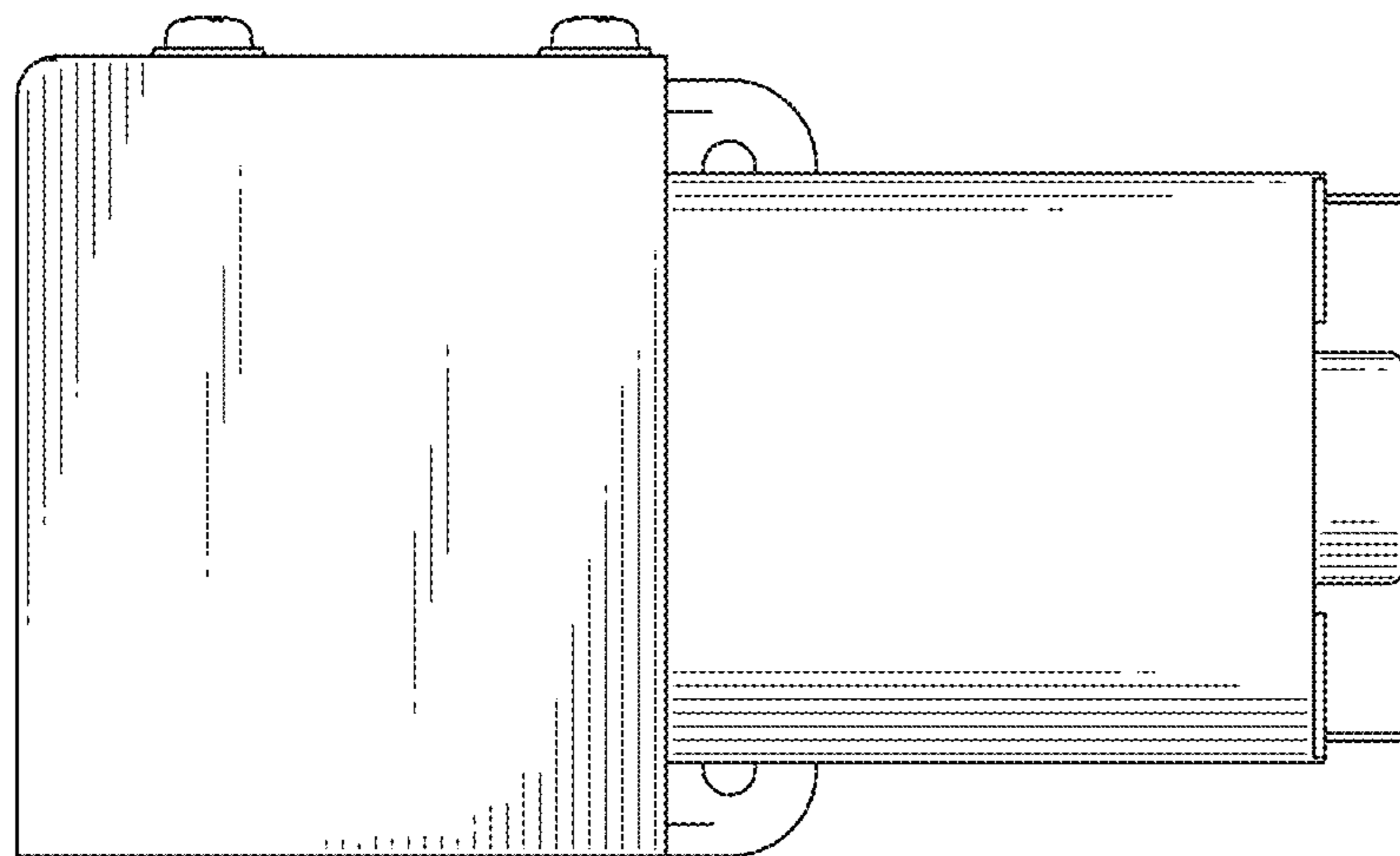


FIG.4

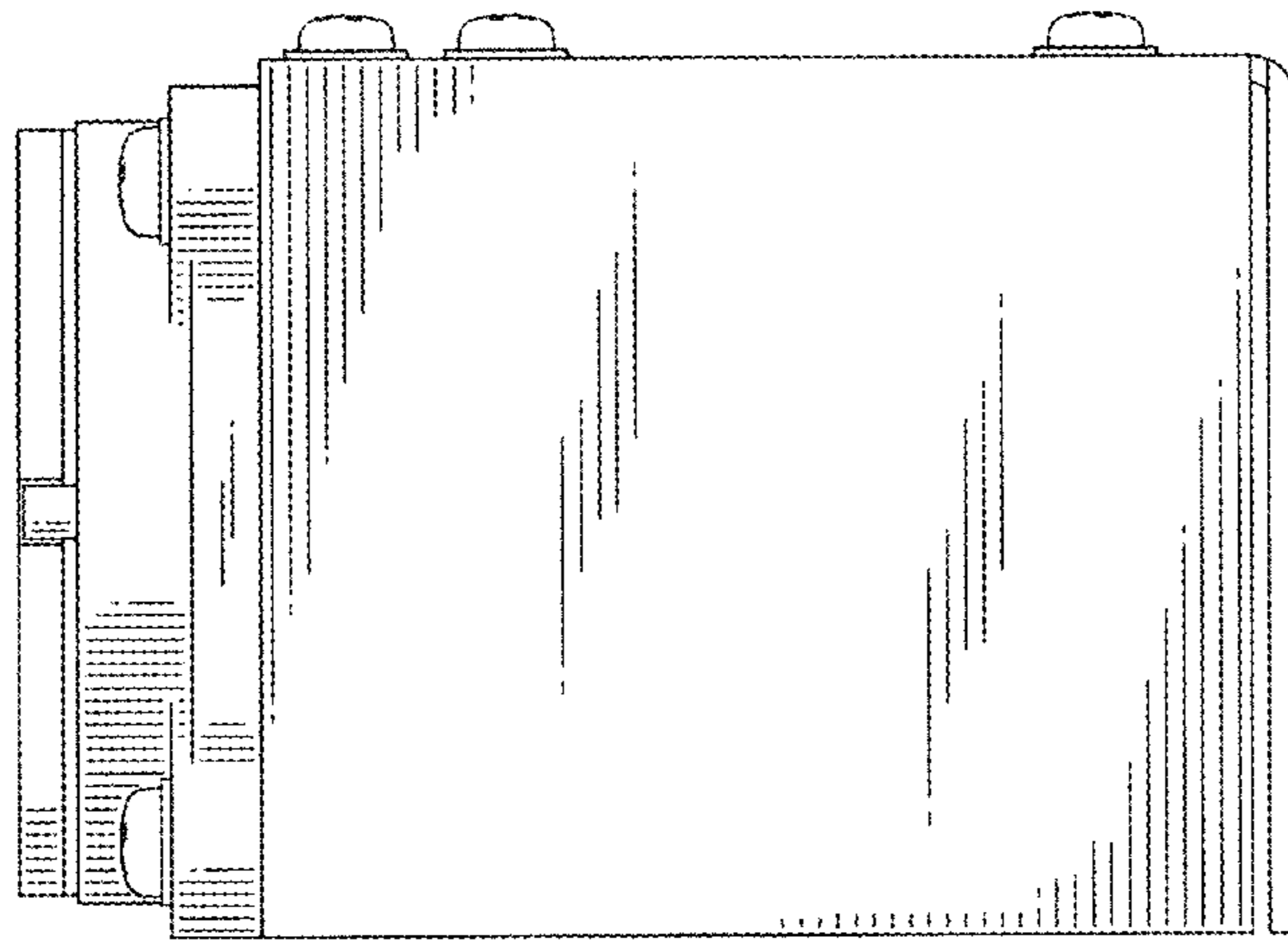


FIG. 5

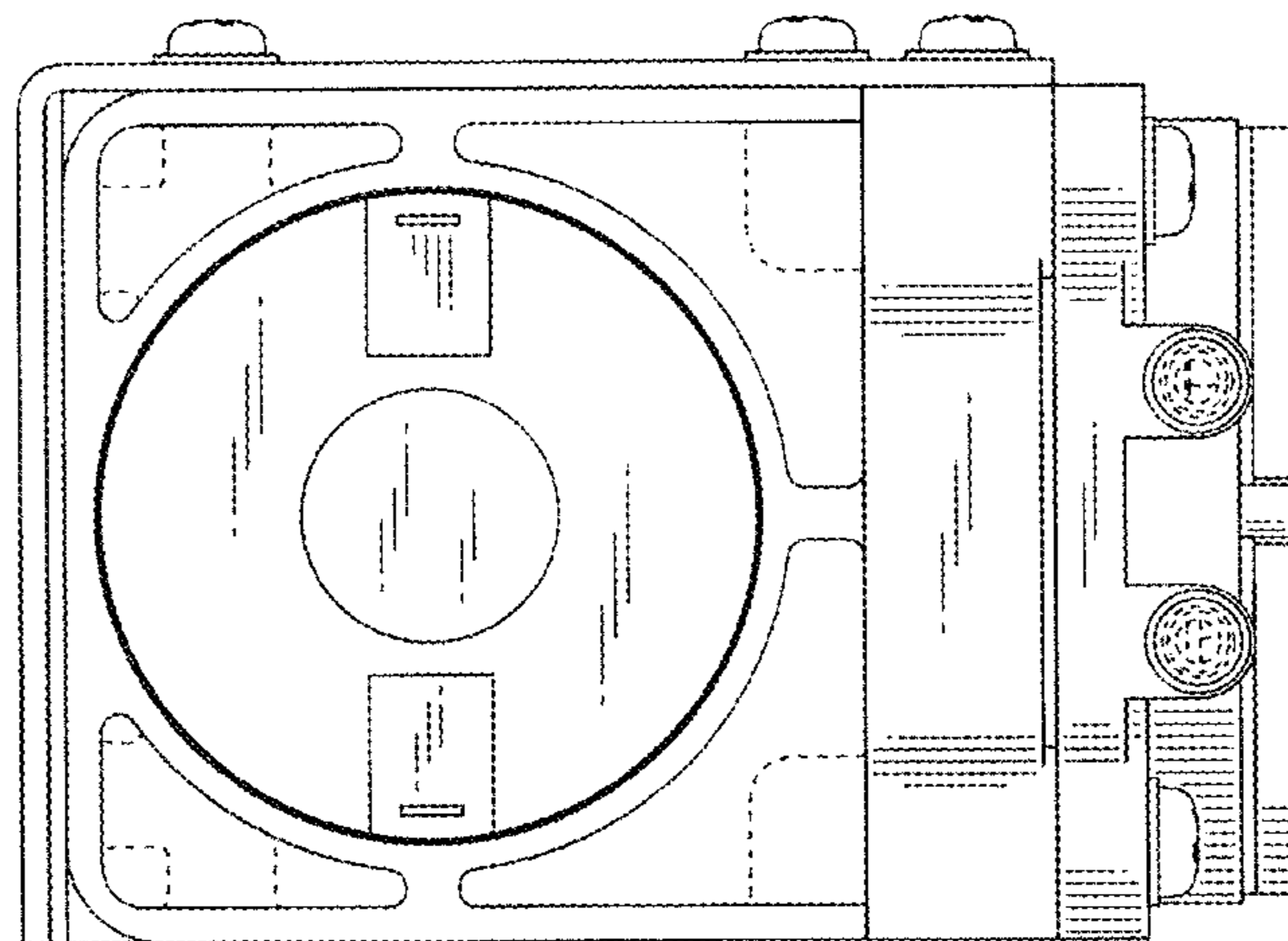


FIG. 6

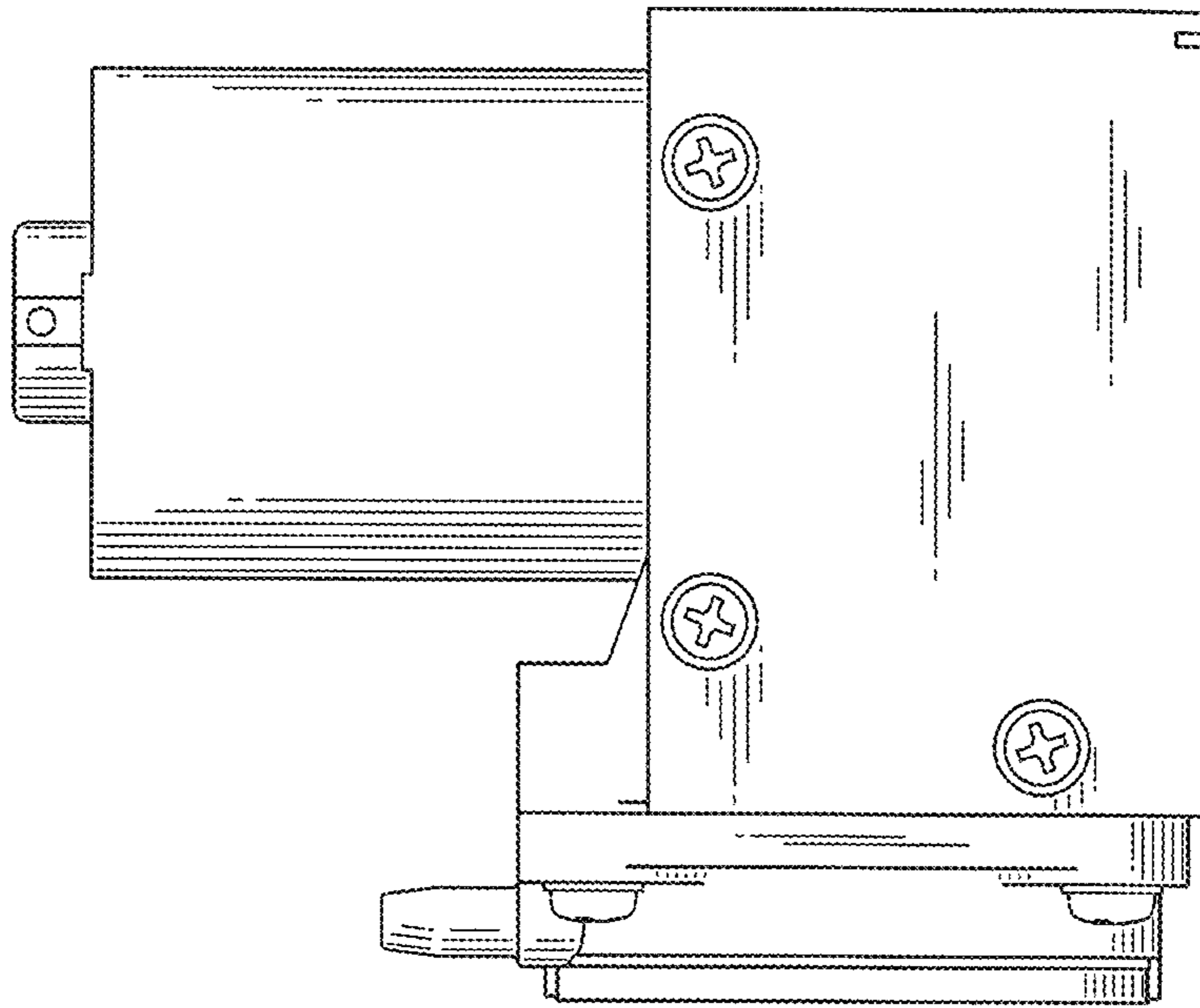


FIG. 7

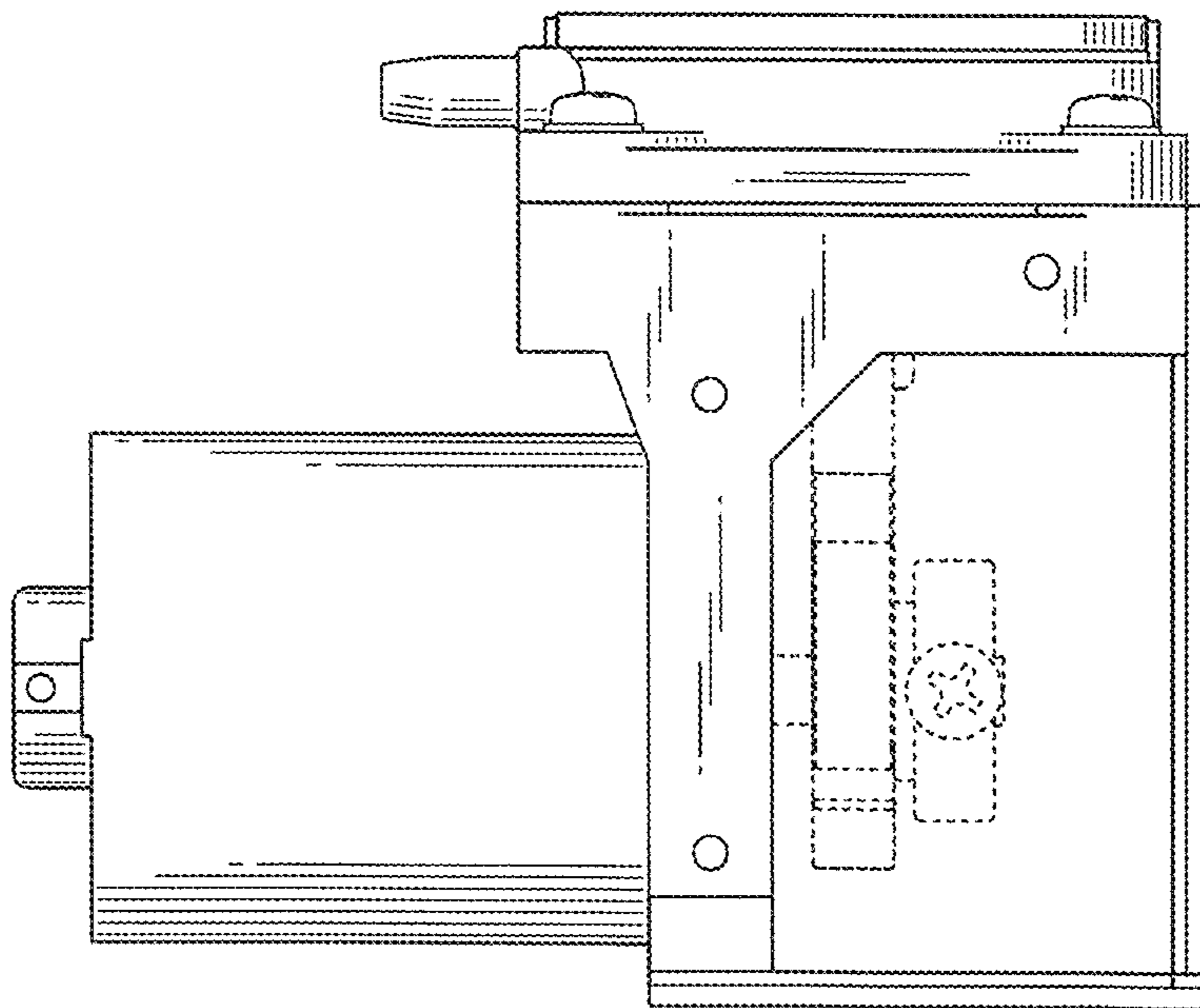


FIG. 8