



US00D778322S

(12) **United States Design Patent** (10) **Patent No.:** **US D778,322 S**  
**Hansen et al.** (45) **Date of Patent:** **\*\* Feb. 7, 2017**

(54) **SUPERCHARGER ROLLER SHUTTLE**

1/00; F01D 17/146; F01D 17/143; F01D 17/16; F01D 17/148; F05D 2220/40; F05D 2250/70; F05D 2240/12; F21V 33/0096

(71) Applicants: **Craig N. Hansen**, Plymouth, MN (US);  
**Paul C. Cross**, Shorewood, MN (US)

See application file for complete search history.

(72) Inventors: **Craig N. Hansen**, Plymouth, MN (US);  
**Paul C. Cross**, Shorewood, MN (US)

(56) **References Cited**

(73) Assignee: **HANSEN ENGINE CORPORATION**,  
Plymouth, MN (US)

U.S. PATENT DOCUMENTS

(\*\*) Term: **15 Years**

|                |        |                 |                          |
|----------------|--------|-----------------|--------------------------|
| 3,088,659 A    | 5/1963 | Nilsson et al.  |                          |
| 4,281,975 A    | 8/1981 | Blackwell       |                          |
| 4,610,613 A *  | 9/1986 | Szymaszek ..... | F04C 28/125<br>417/310   |
| 6,227,834 B1 * | 5/2001 | Andersen .....  | F04C 28/125<br>418/201.2 |

(21) Appl. No.: **29/544,370**

\* cited by examiner

(22) Filed: **Nov. 3, 2015**

(51) **LOC (10) Cl.** ..... **15-01**

(52) **U.S. Cl.**  
USPC ..... **D15/5**

(58) **Field of Classification Search**  
USPC ..... D15/1-5, 7, 9; 123/559.1; 29/888.02;  
418/178, 179, 1, 206.5, 201.2; 415/9,  
415/173.4, 174.4, 118; 464/127, 72, 74,  
464/75; D23/370, 375, 376, 377, 379,  
D23/411, 413, 414

CPC ..... F16D 2500/1068; F16D 3/70; F16D 3/64;  
F16D 3/68; F16D 3/78; F16D 3/12; F16D  
41/20; F16D 3/00; F02B 39/12; F02B  
39/04; F02B 37/04; F02B 33/38; F02B  
33/00; F02B 39/16; F02B 39/00; F04C  
29/122; F04C 27/005; F04C 18/126; F04C  
18/16; F04C 18/165; F04C 18/18; F04C  
18/20; F04C 18/14; F04C 28/125; F16C  
1/00; F04D 29/005; F04D 27/0269; F04D  
29/424; F04D 29/4246; F04D  
29/4253; F04D 25/088; F04D  
29/22; F04D 17/08; F04D 29/28; F04D

*Primary Examiner* — T. Chase Nelson

*Assistant Examiner* — Ania Aman

(74) *Attorney, Agent, or Firm* — Richard John Bartz

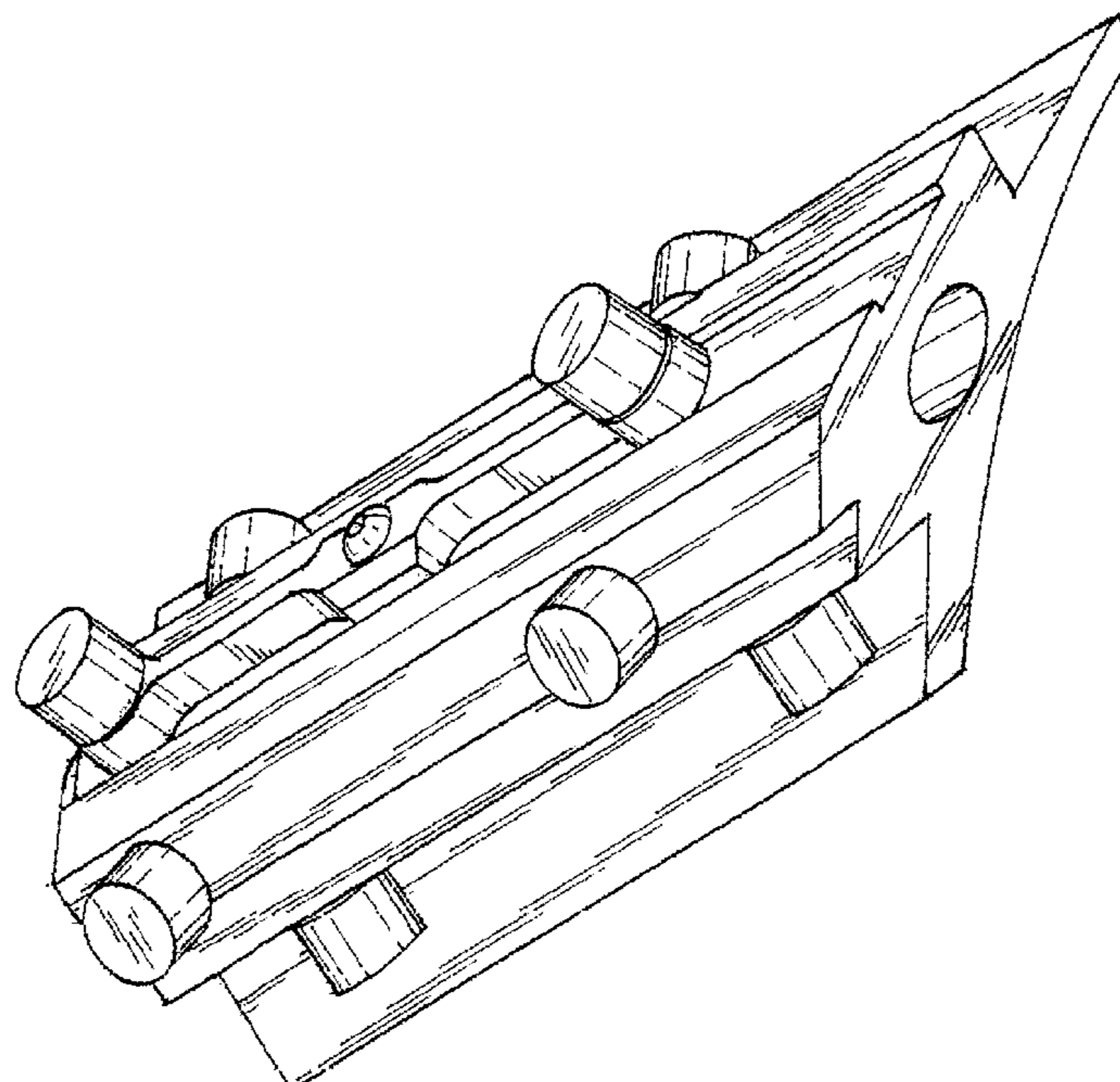
(57) **CLAIM**

The ornamental design of the supercharger roller shuttle, as shown and described.

**DESCRIPTION**

FIG. 1 is a perspective view of the supercharger roller shuttle of our new design;  
FIG. 2 is a top plan view thereof;  
FIG. 3 is a front elevational view thereof;  
FIG. 4 is a back view thereof;  
FIG. 5 is an end elevational view of the left end thereof;  
FIG. 6 is an end elevational view of the right end thereof;  
FIG. 7 is a bottom plan view thereof; and,  
FIG. 8 is a sectional view taken along line 8-8 of FIG. 2.

**1 Claim, 4 Drawing Sheets**



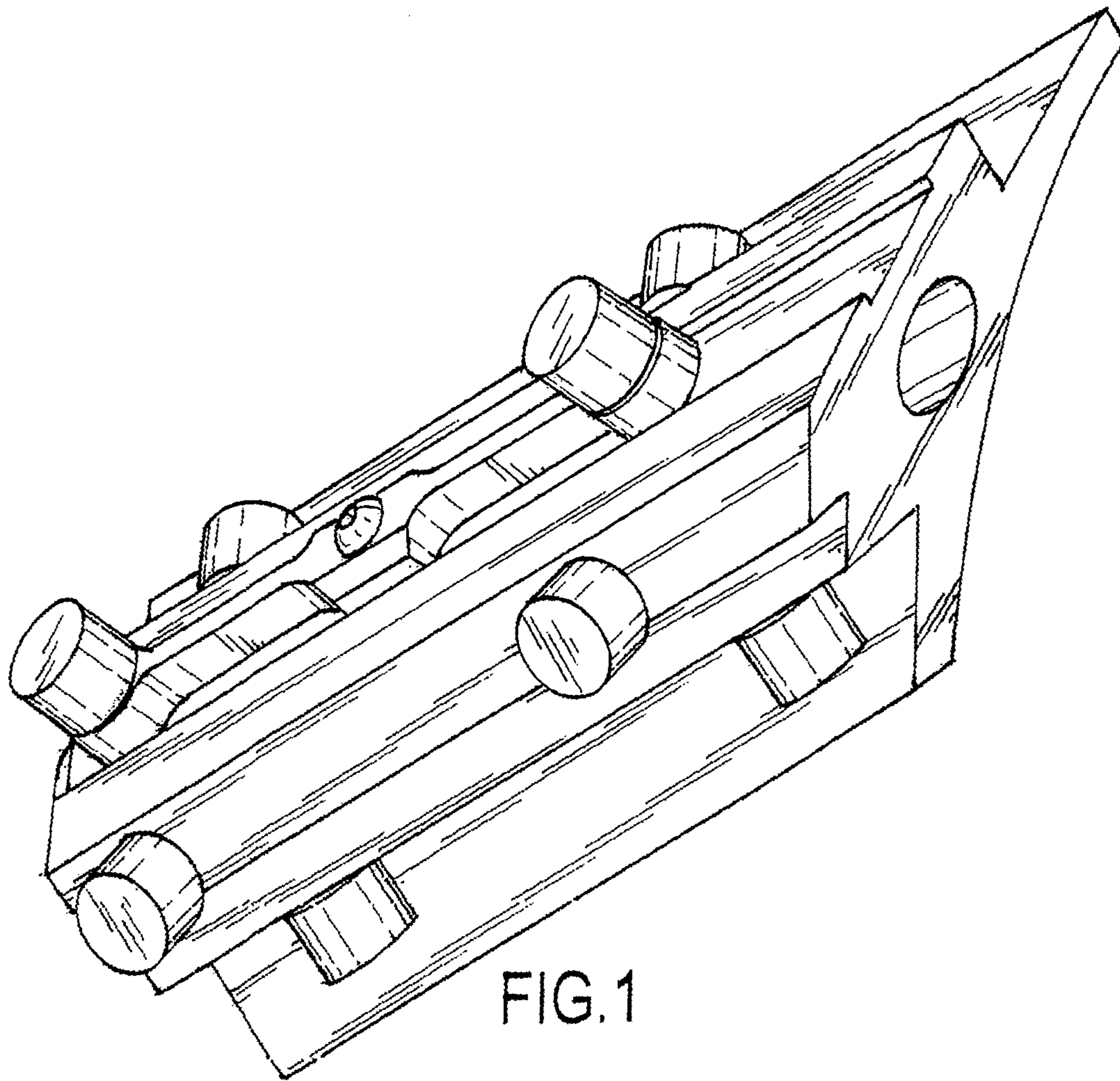


FIG. 1

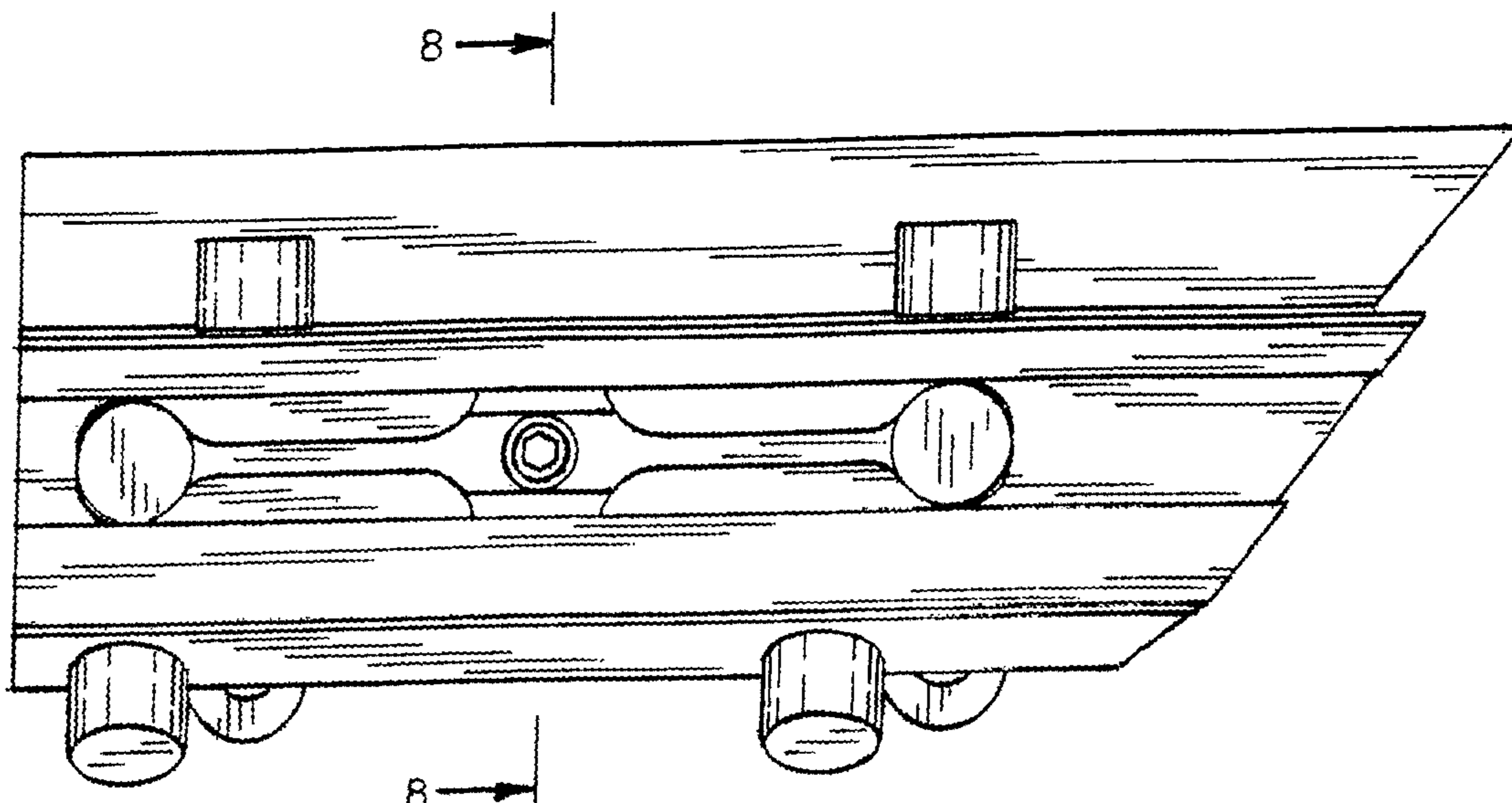


FIG. 2



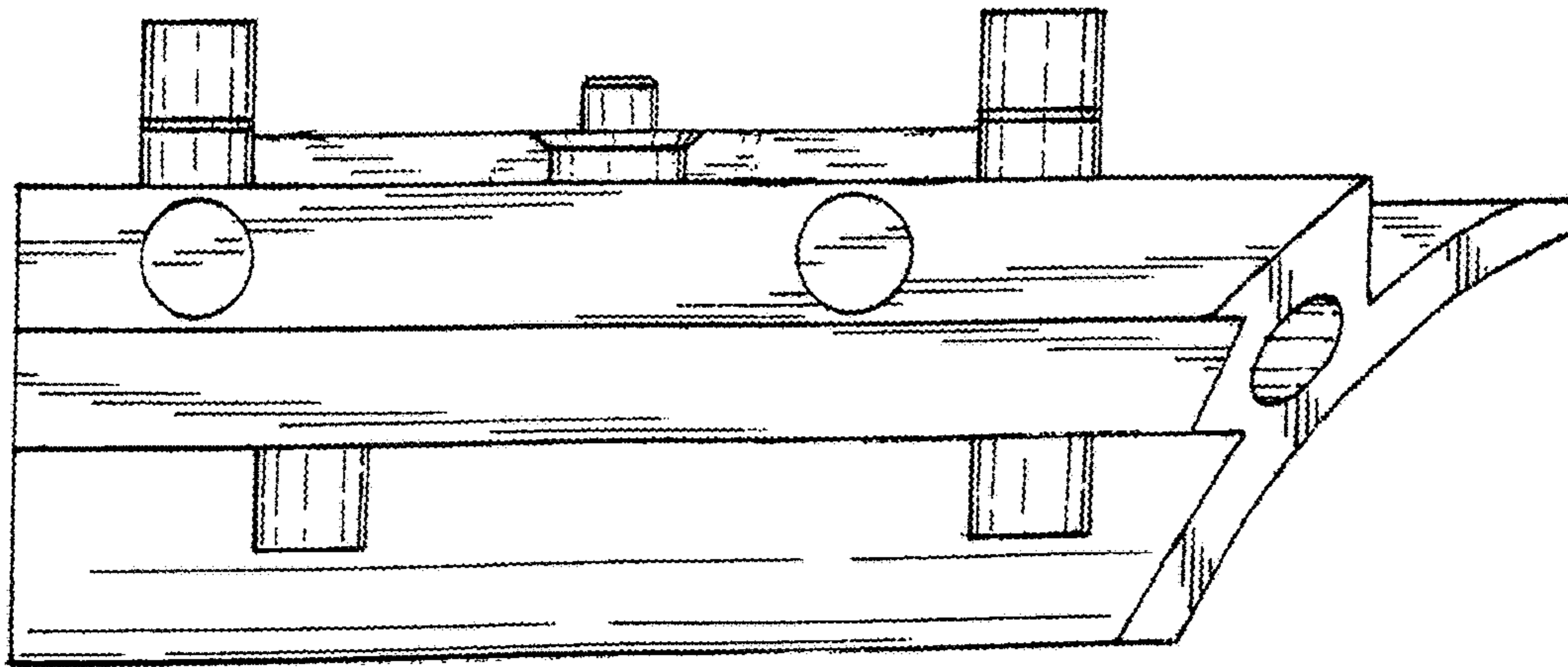


FIG.3

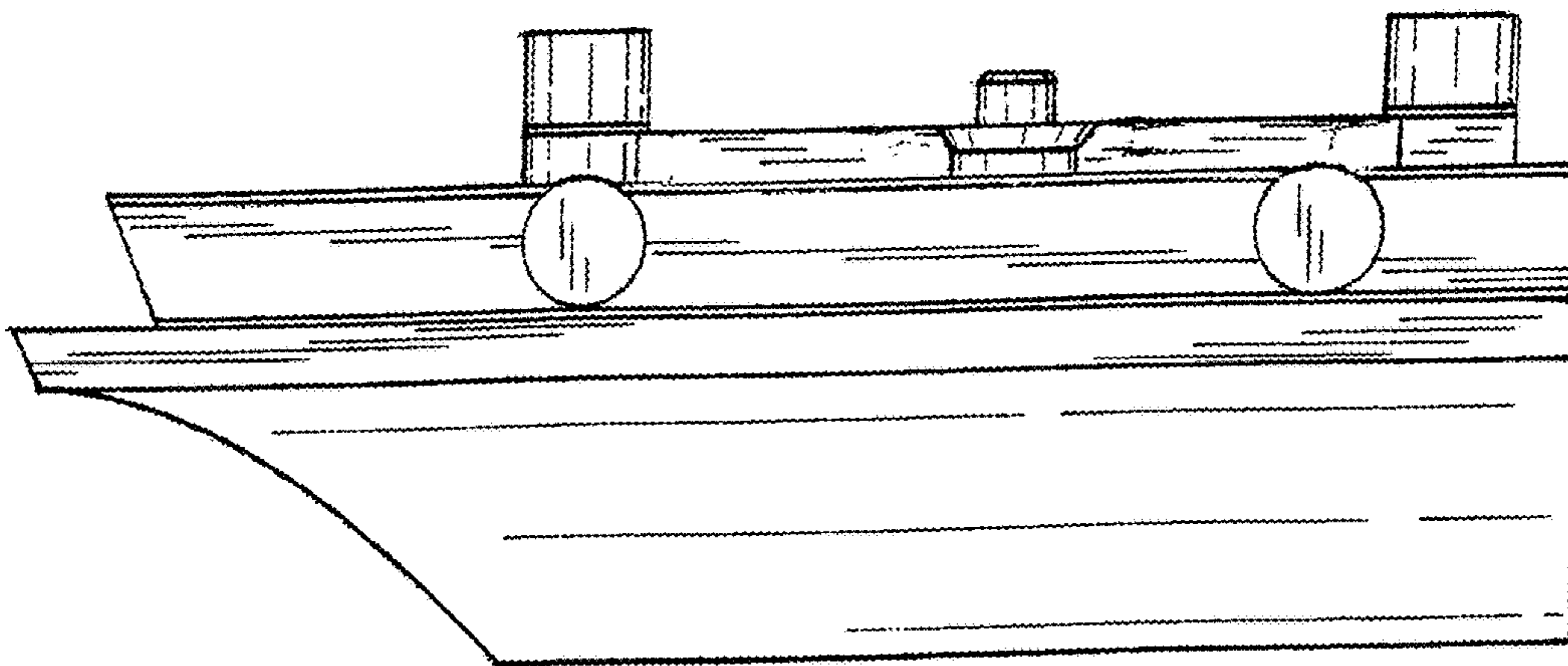


FIG.4

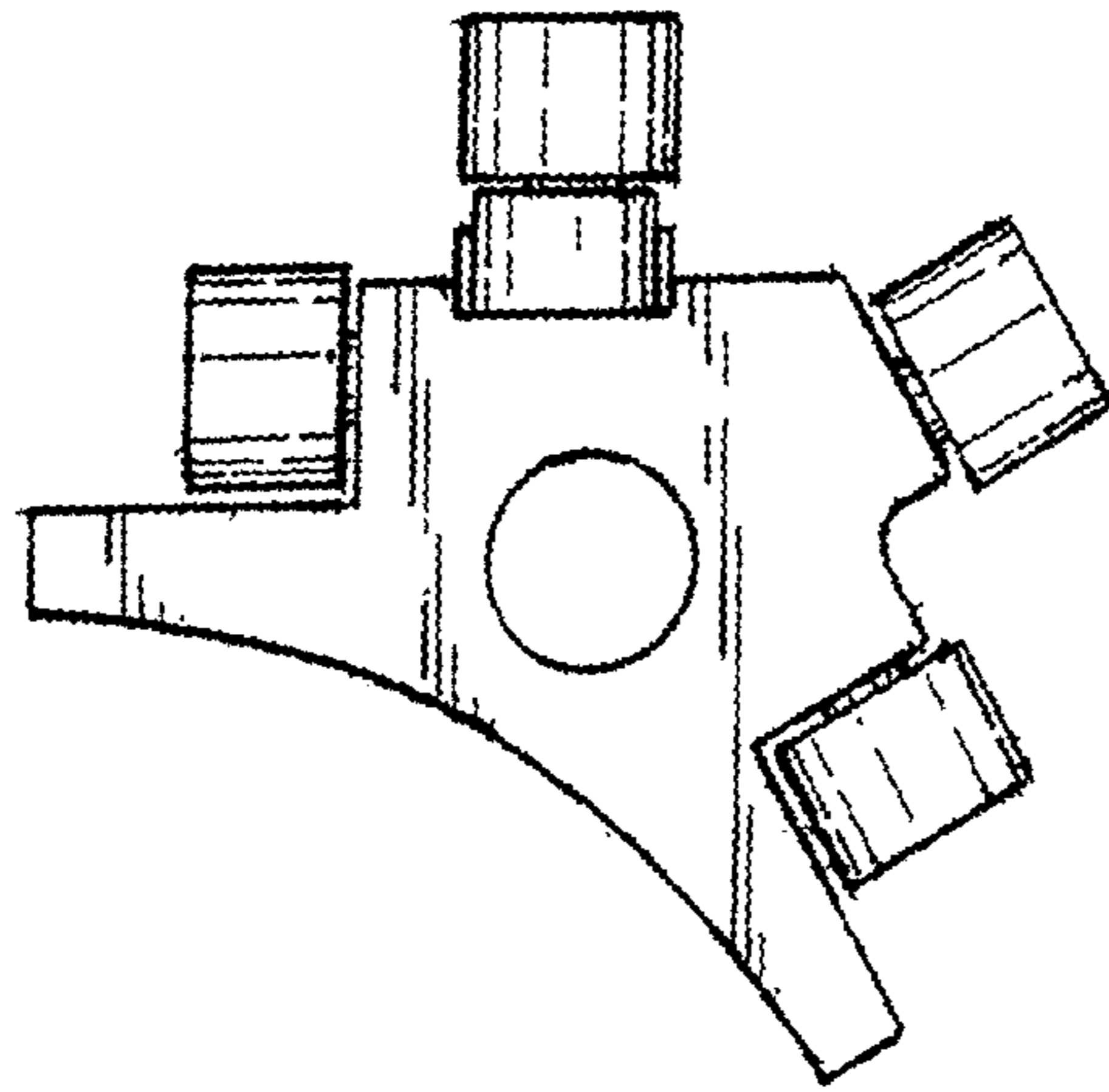


FIG.5

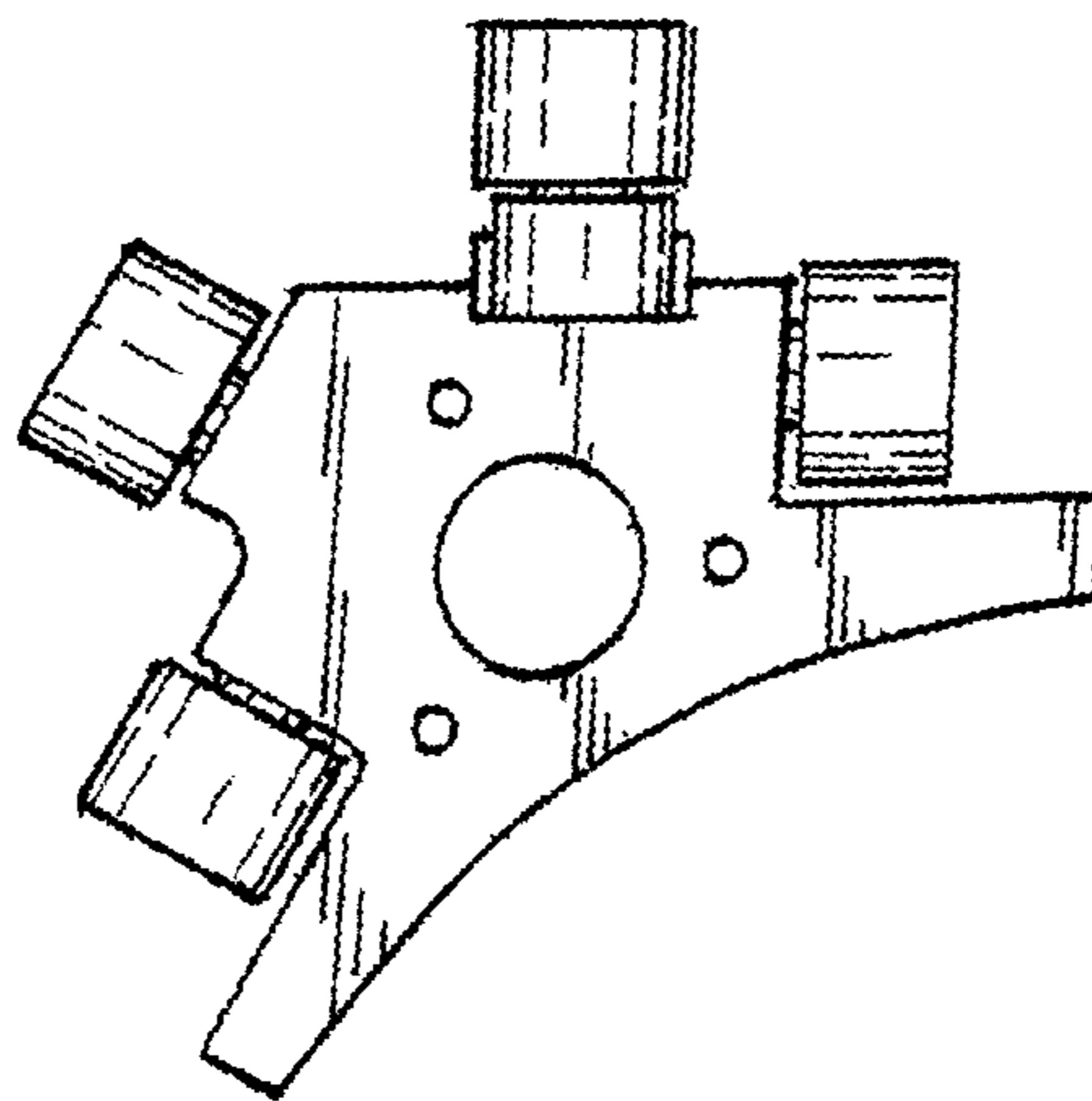


FIG.6

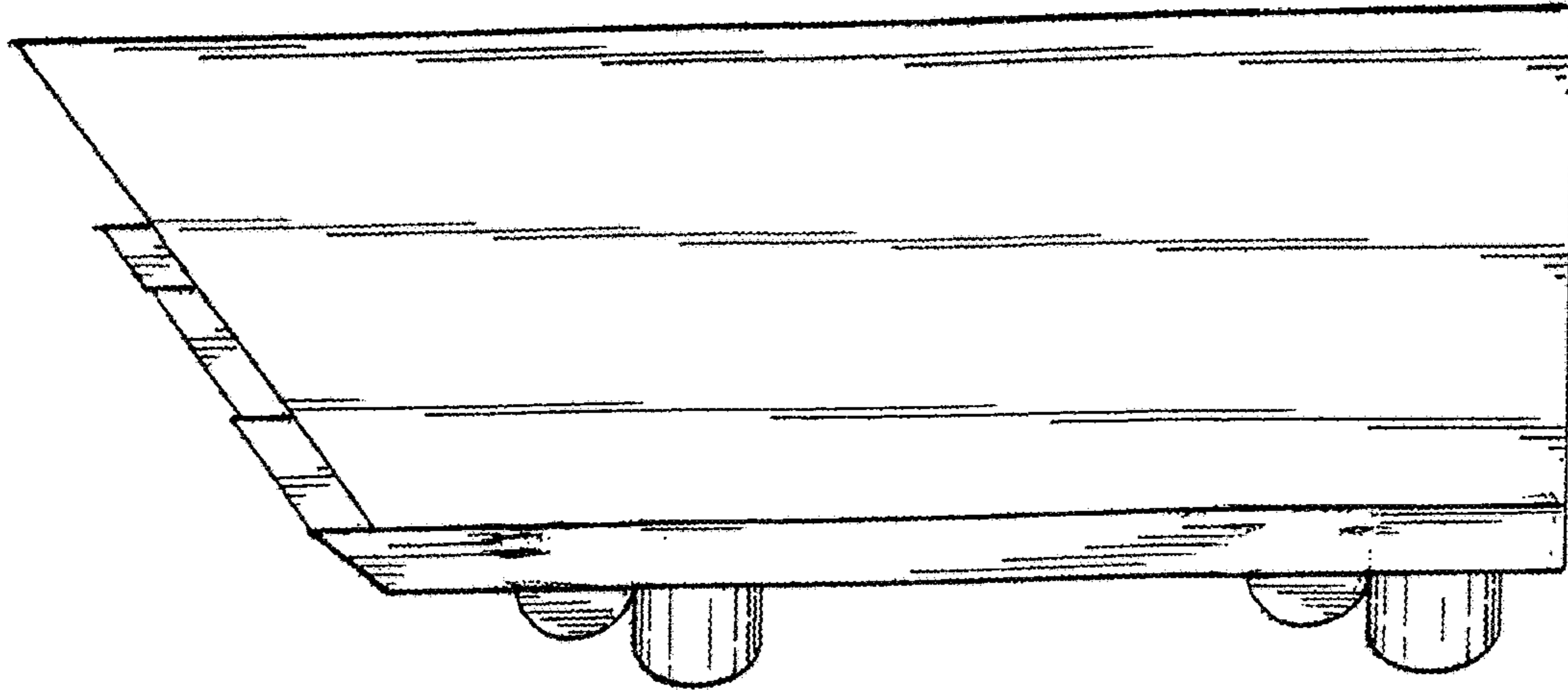


FIG. 7

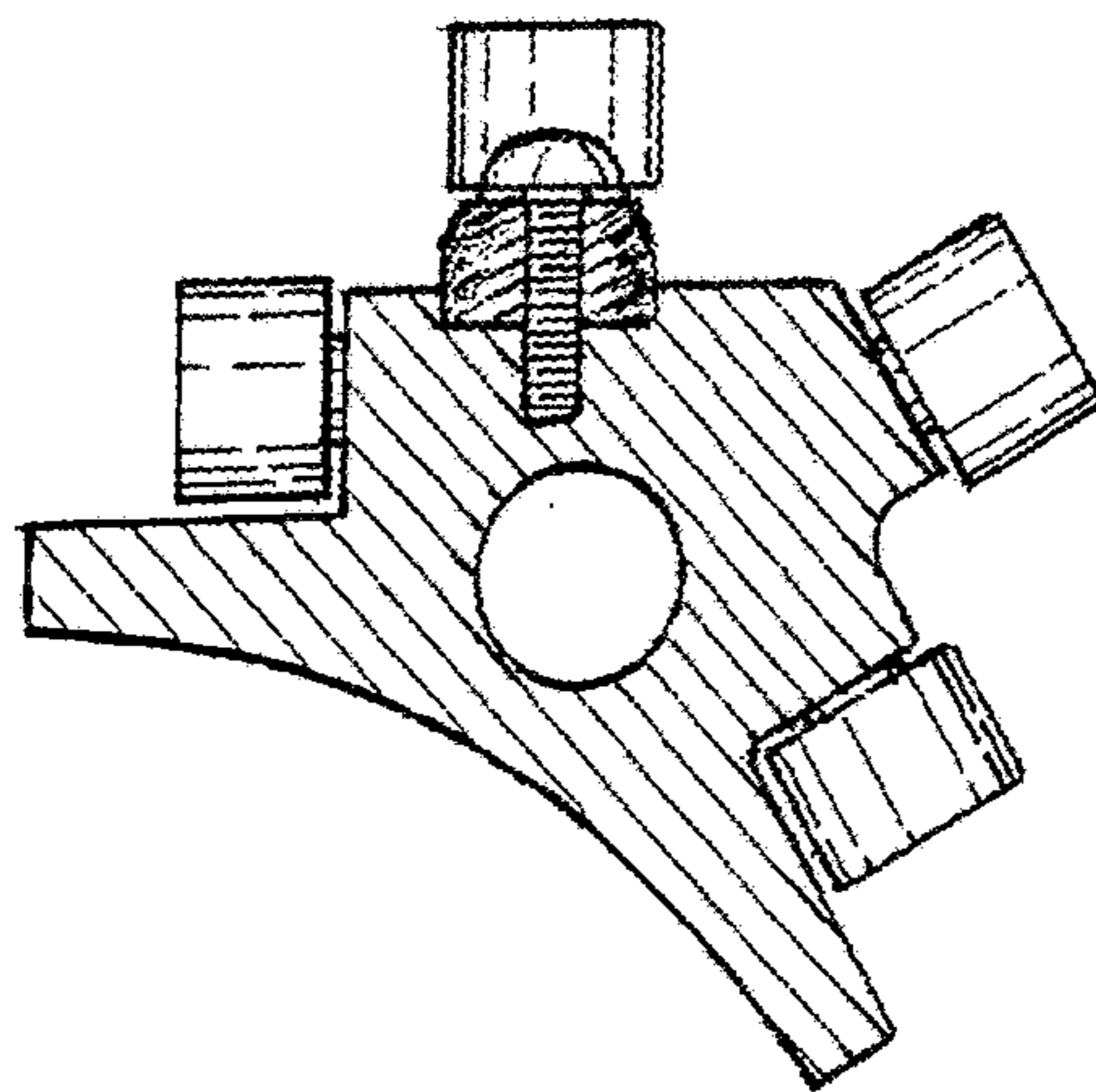


FIG. 8