



US00D778308S

(12) **United States Design Patent** (10) **Patent No.:** **US D778,308 S**
Wang et al. (45) **Date of Patent:** **** Feb. 7, 2017**

(54) **DISPLAY SCREEN OR PORTION THEREOF WITH ANIMATED GRAPHICAL USER INTERFACE**

(71) Applicant: **Leauto Intelligent Technology (BEIJING) Co. Ltd.**, Chaoyang District, Beijing (CN)

(72) Inventors: **Lei Wang**, Beijing (CN); **Fan Yang**, Beijing (CN); **XiuBin Yang**, Beijing (CN); **Ting Wu**, Beijing (CN)

(73) Assignee: **Leauto Intelligent Technology (Beijing) Co. Ltd.**, Chaoyang District, Beijing (CN)

(**) Term: **15 Years**

(21) Appl. No.: **29/548,972**

(22) Filed: **Dec. 17, 2015**

(30) **Foreign Application Priority Data**

Oct. 26, 2015 (CN) 2015 3 0416810

(51) **LOC (10) Cl.** **14-04**

(52) **U.S. Cl.**
USPC **D14/486**

(58) **Field of Classification Search**
USPC D14/485-495

(Continued)

(56) **References Cited**

U.S. PATENT DOCUMENTS

D613,300 S * 4/2010 Chaudhri D14/488

D624,932 S * 10/2010 Chaudhri D14/488

(Continued)

Primary Examiner — Darlington Ly

Assistant Examiner — Daniel J Domino

(74) *Attorney, Agent, or Firm* — Haynes Beffel & Wolfeld LLP

(57) **CLAIM**

The ornamental design of a display screen or portion thereof with animated graphical user interface, as shown and described.

DESCRIPTION

FIG. 1 is a front view of the first image of a display screen or portion thereof with animated graphical user interface, showing our new design;

FIG. 2 is a front view of a second image thereof;

FIG. 3 is a front view of a third image thereof;

FIG. 4 is a front view of a fourth image thereof;

FIG. 5 is a front view of a fifth image thereof;

FIG. 6 is a front view of a sixth image thereof;

FIG. 7 is a front view of the first image of a second embodiment thereof;

FIG. 8 is a front view of a second image thereof;

FIG. 9 is a front view of a third image thereof;

FIG. 10 is a front view of a fourth image thereof;

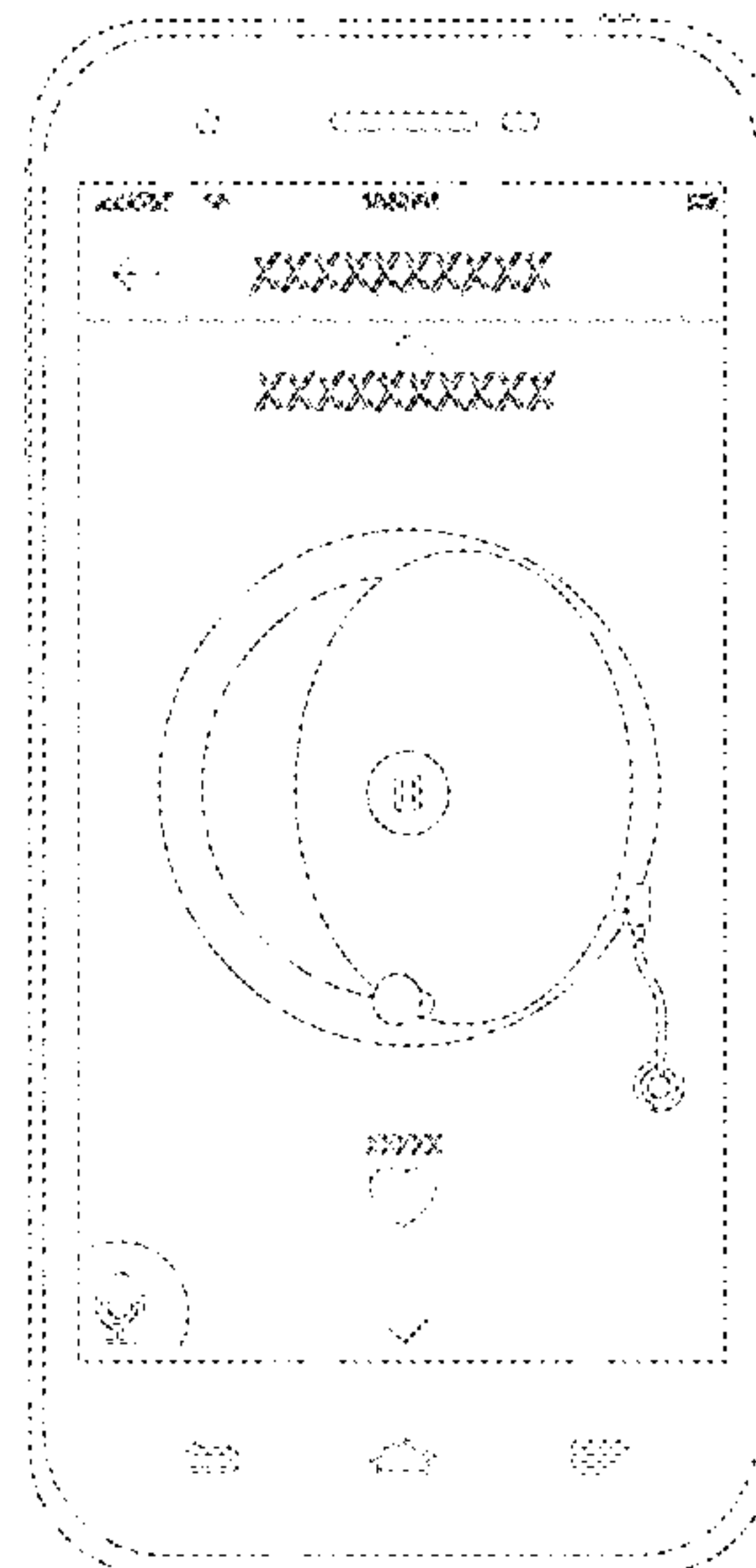
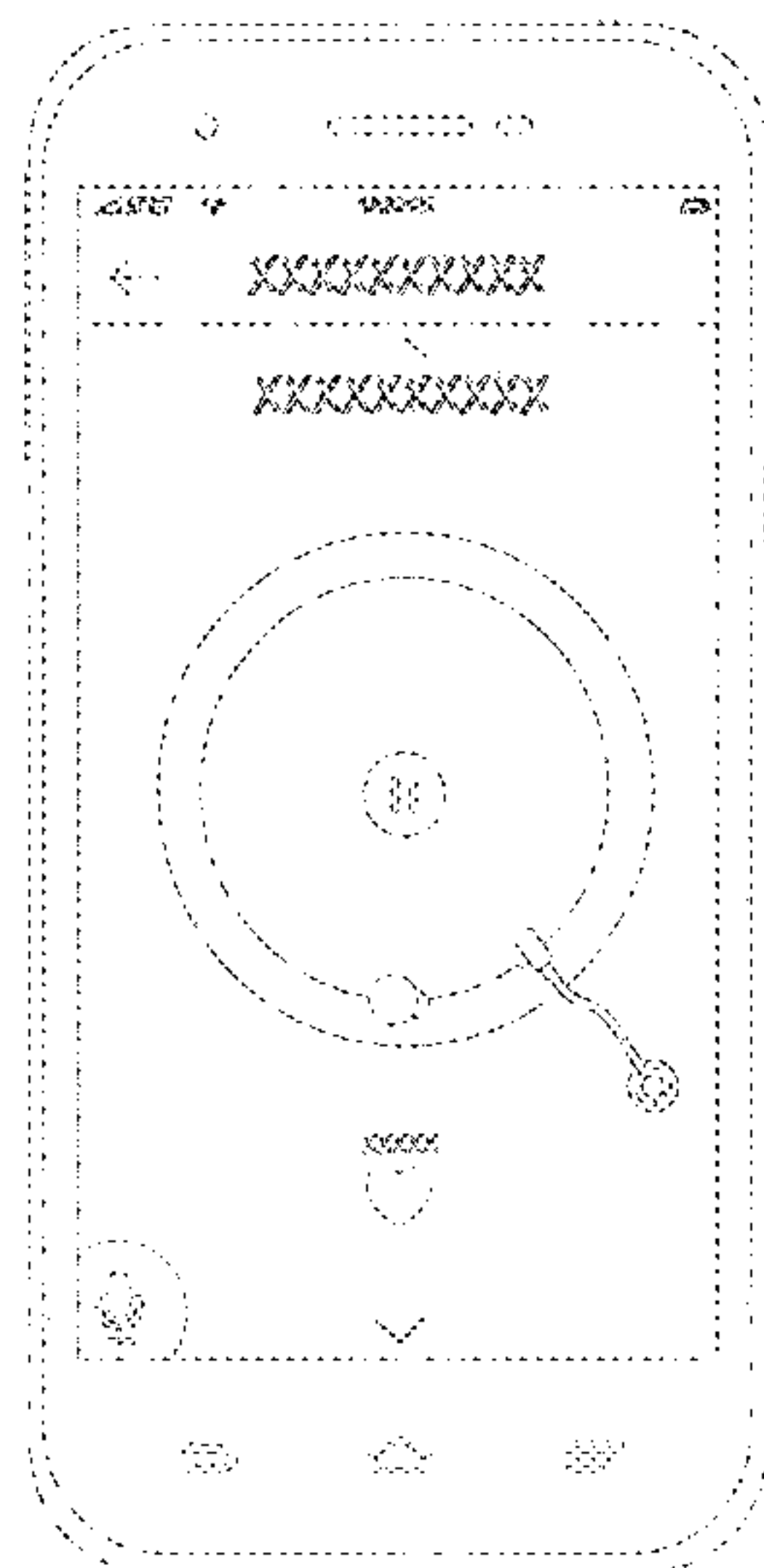
FIG. 11 is a front view of a fifth image thereof; and

FIG. 12 is a front view of a sixth image thereof.

The broken lines showing a device illustrates environment, whereas the broken lines showing a display screen and portions of the graphical user interface illustrate portions of the article. None of the broken lines form part of the claimed design.

The appearance of the transitional image sequentially transitions between the images shown in FIG. 1 through FIG. 6, and FIG. 7 through FIG. 12, respectively. The process or period in which one image transitions to another image forms no part of the claimed design.

1 Claim, 12 Drawing Sheets



(58) **Field of Classification Search**

CPC .. G06F 3/048; G06F 3/04842; G06F 3/04847;
 G06F 3/0481; G06F 17/211; G06F 17/212
 See application file for complete search history.

(56) **References Cited**

U.S. PATENT DOCUMENTS

D701,527	S	*	3/2014	Brinda	D14/488
D701,528	S	*	3/2014	Brinda	D14/488
D706,821	S	*	6/2014	Park	D14/489
D707,249	S	*	6/2014	Yamada	D14/488
D721,722	S	*	1/2015	Lee	D14/486
D733,167	S	*	6/2015	Schoger	D14/486
D746,855	S	*	1/2016	Choi	D14/488
D749,107	S	*	2/2016	Amiya	D14/486
D757,775	S	*	5/2016	Iwamoto	D14/486
D758,403	S	*	6/2016	Lee	D14/486
D759,682	S	*	6/2016	Myung	D14/485
D760,250	S	*	6/2016	Myung	D14/485
D760,251	S	*	6/2016	Myung	D14/485
D761,840	S	*	7/2016	Patterson	D14/488
D765,091	S	*	8/2016	Del Lima	D14/485
D765,115	S	*	8/2016	Pierson	D14/486
D765,672	S	*	9/2016	Raff	D14/485
D765,674	S	*	9/2016	Kim	D14/485
D765,681	S	*	9/2016	Nagel	D14/486
D765,695	S	*	9/2016	Leabman	D14/486
D765,698	S	*	9/2016	Kwon	D14/486
D765,718	S	*	9/2016	Vinna	D14/488
2008/0250344	A1	*	10/2008	Yoshida	G06F 3/04815 715/788
2011/0107223	A1	*	5/2011	Tilton	G06Q 10/10 715/730

* cited by examiner

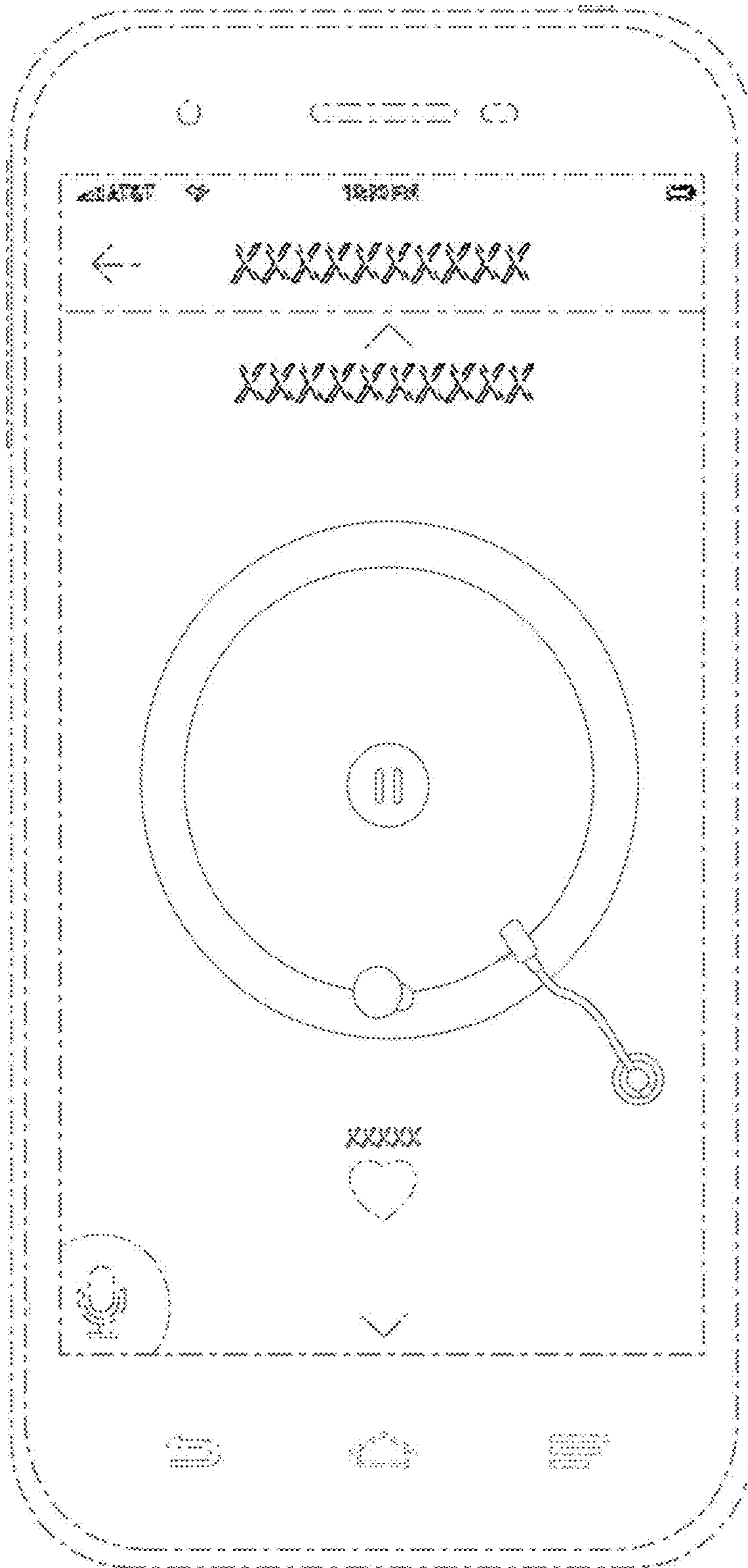


FIG. 1

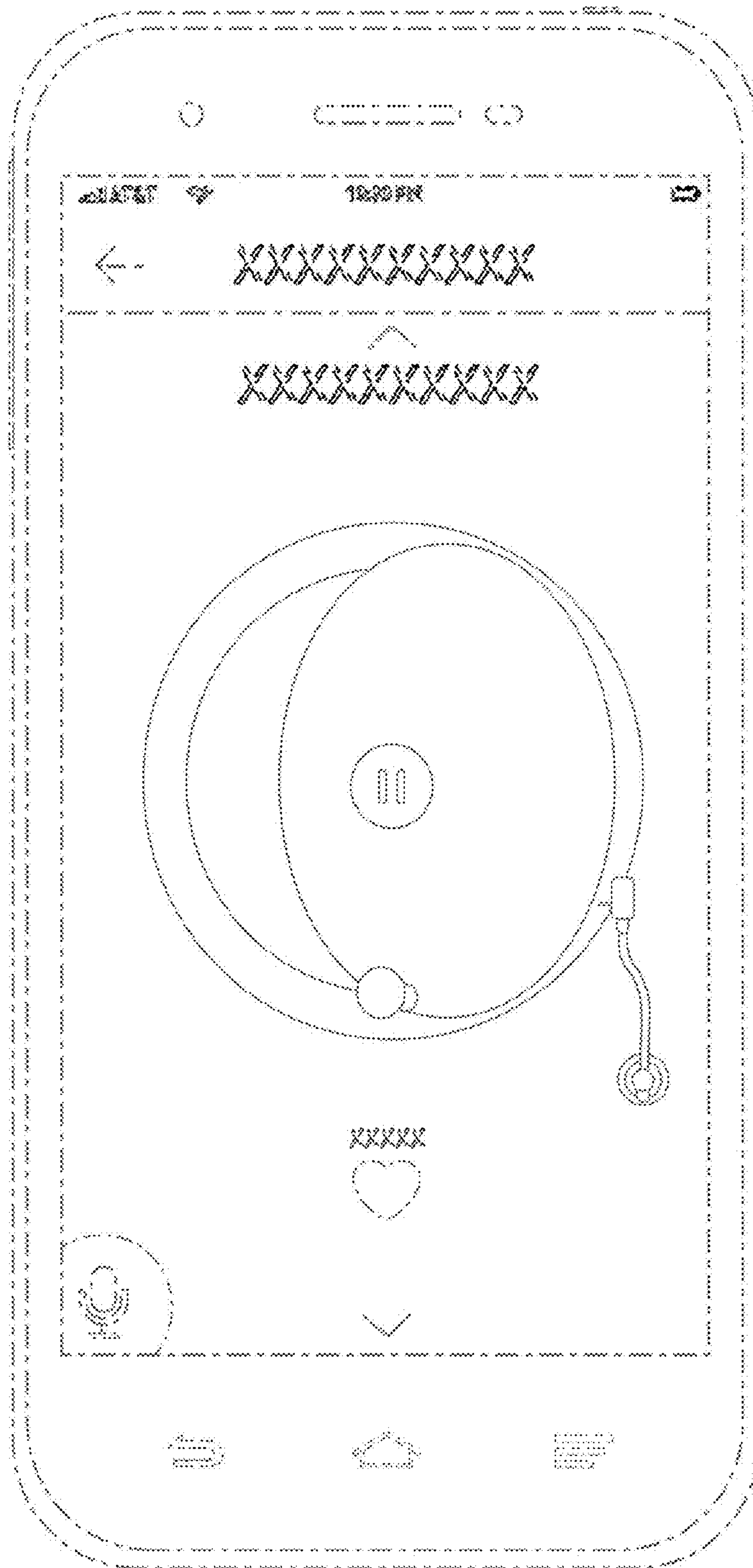


FIG. 2

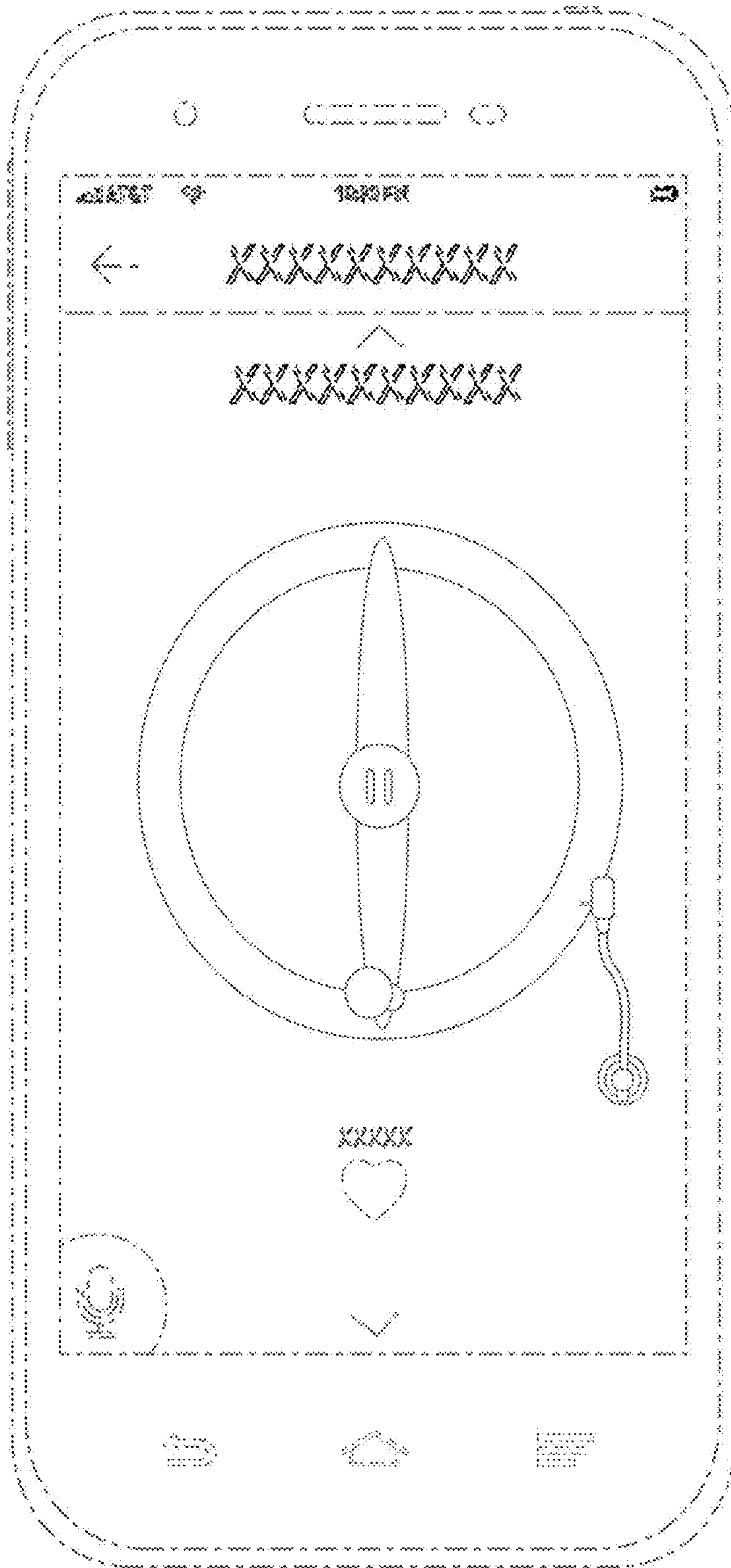


FIG. 3

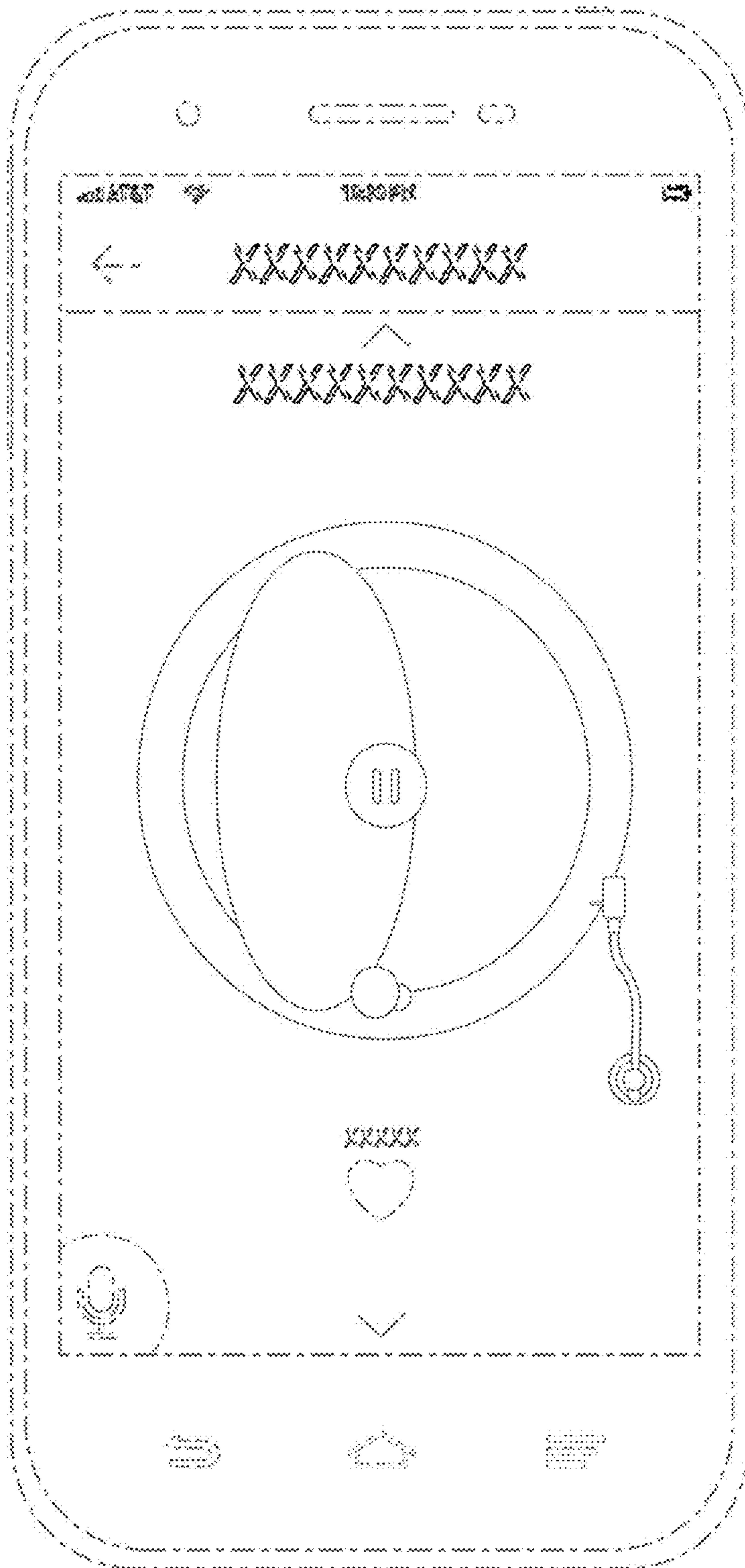


FIG. 4

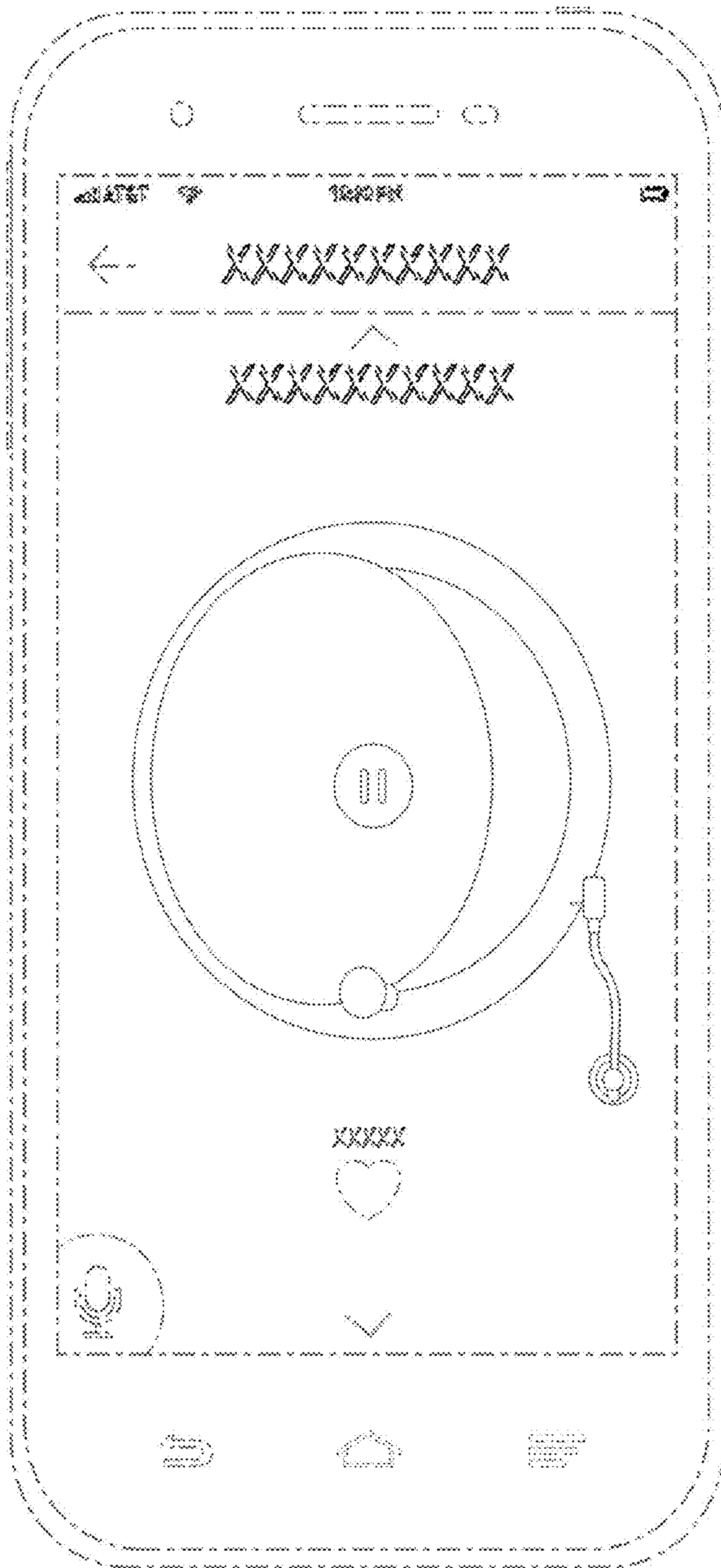


FIG. 5

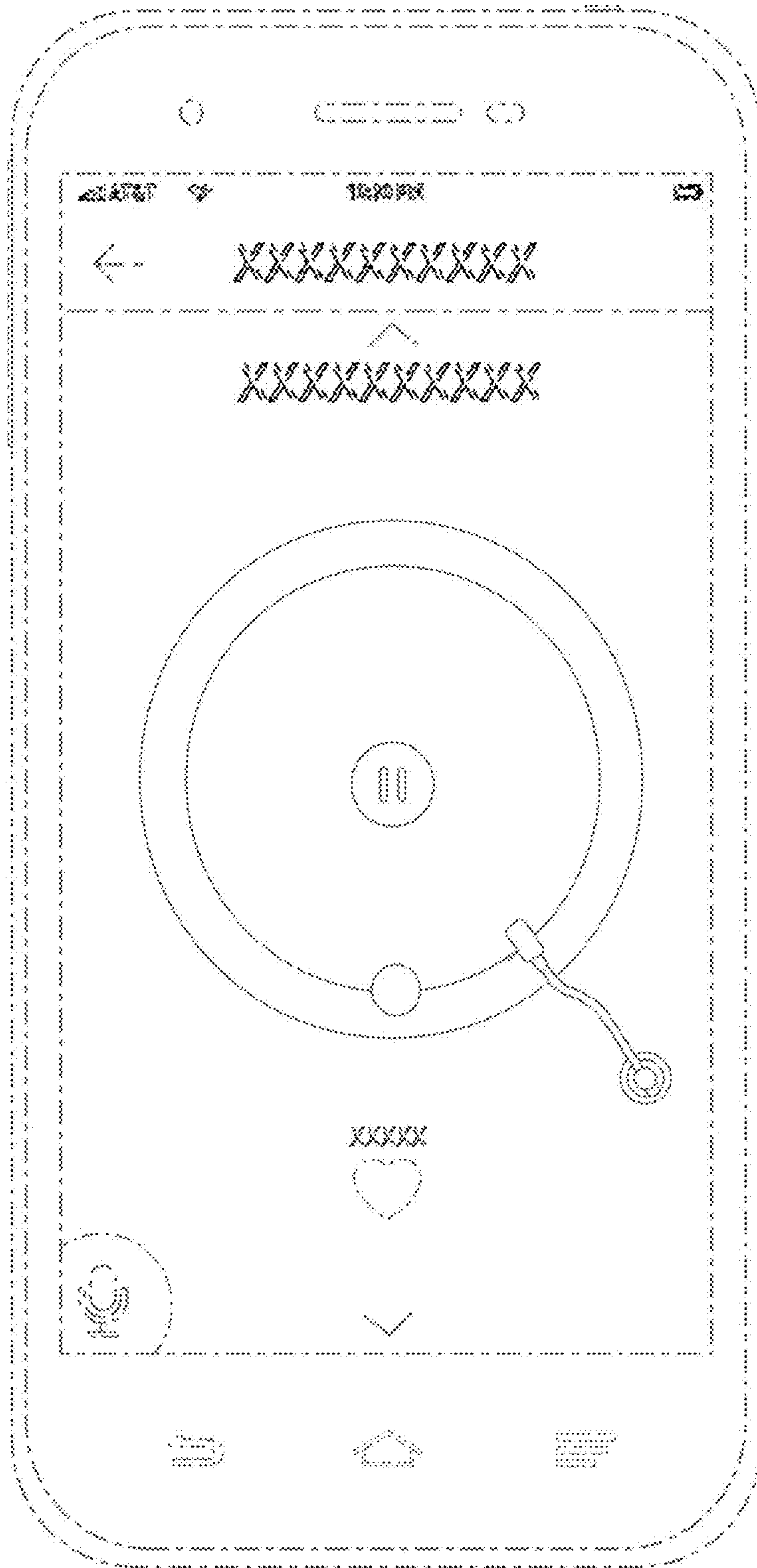


FIG. 6

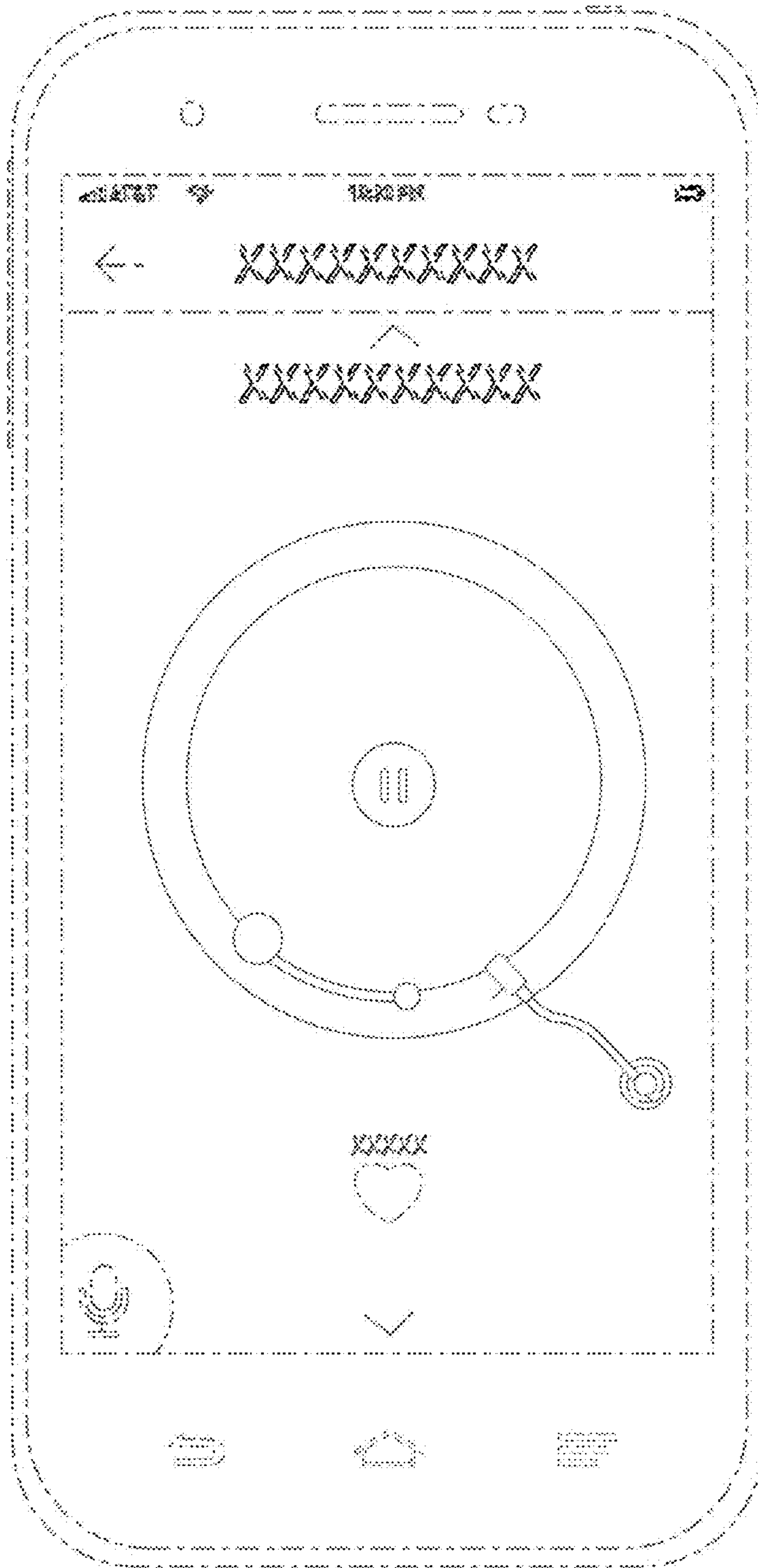


FIG. 7

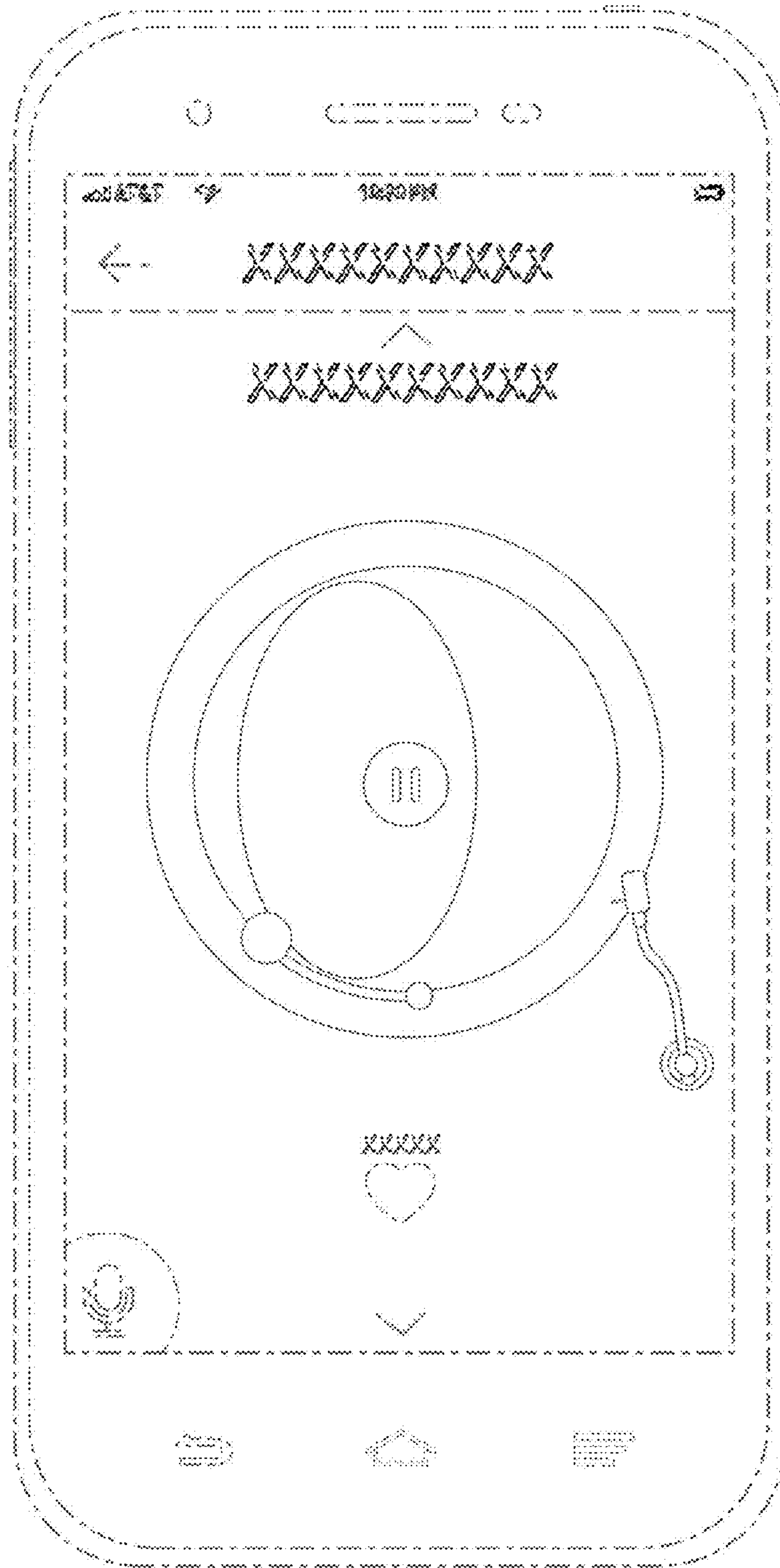


FIG. 8

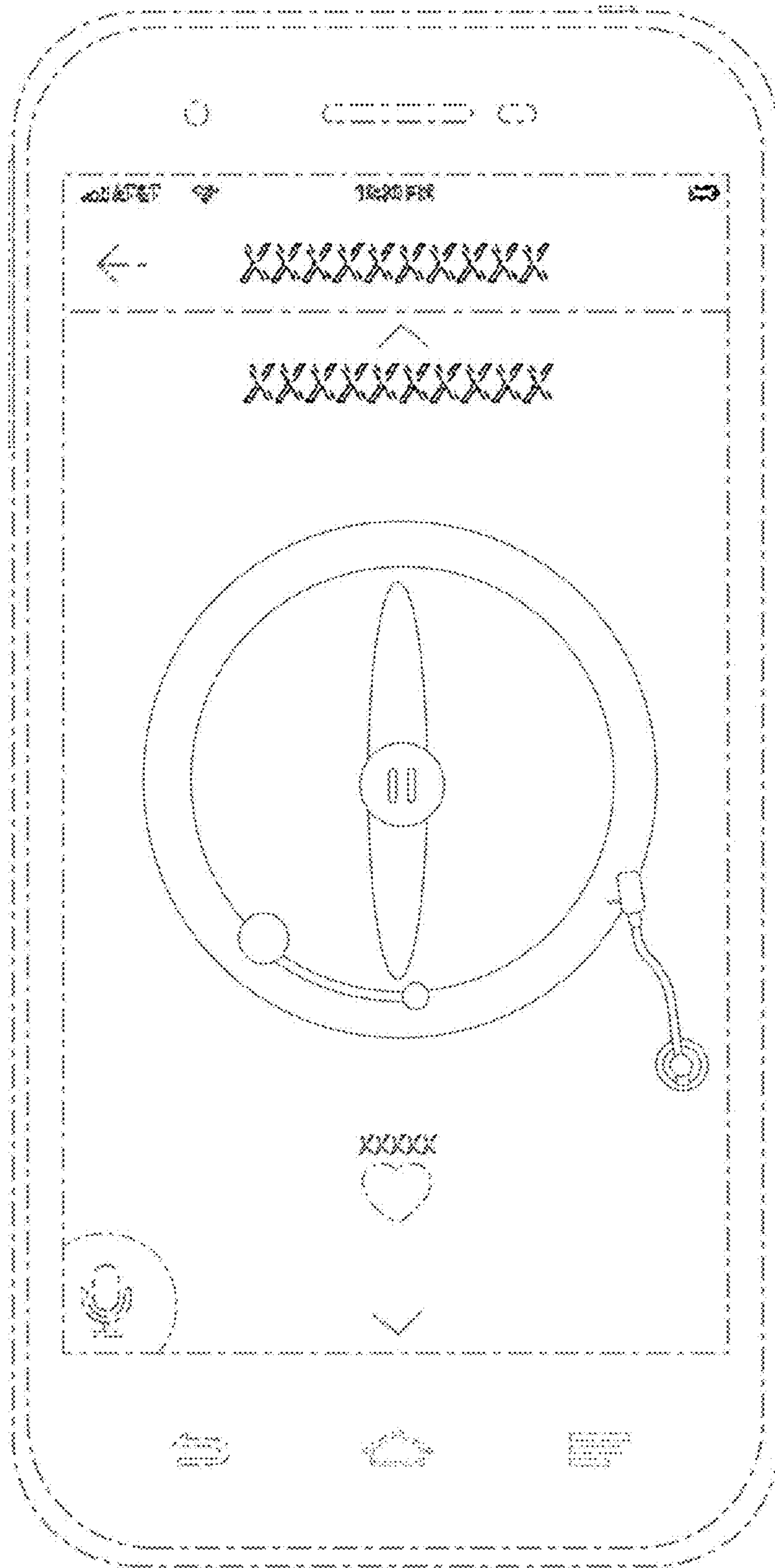


FIG. 9

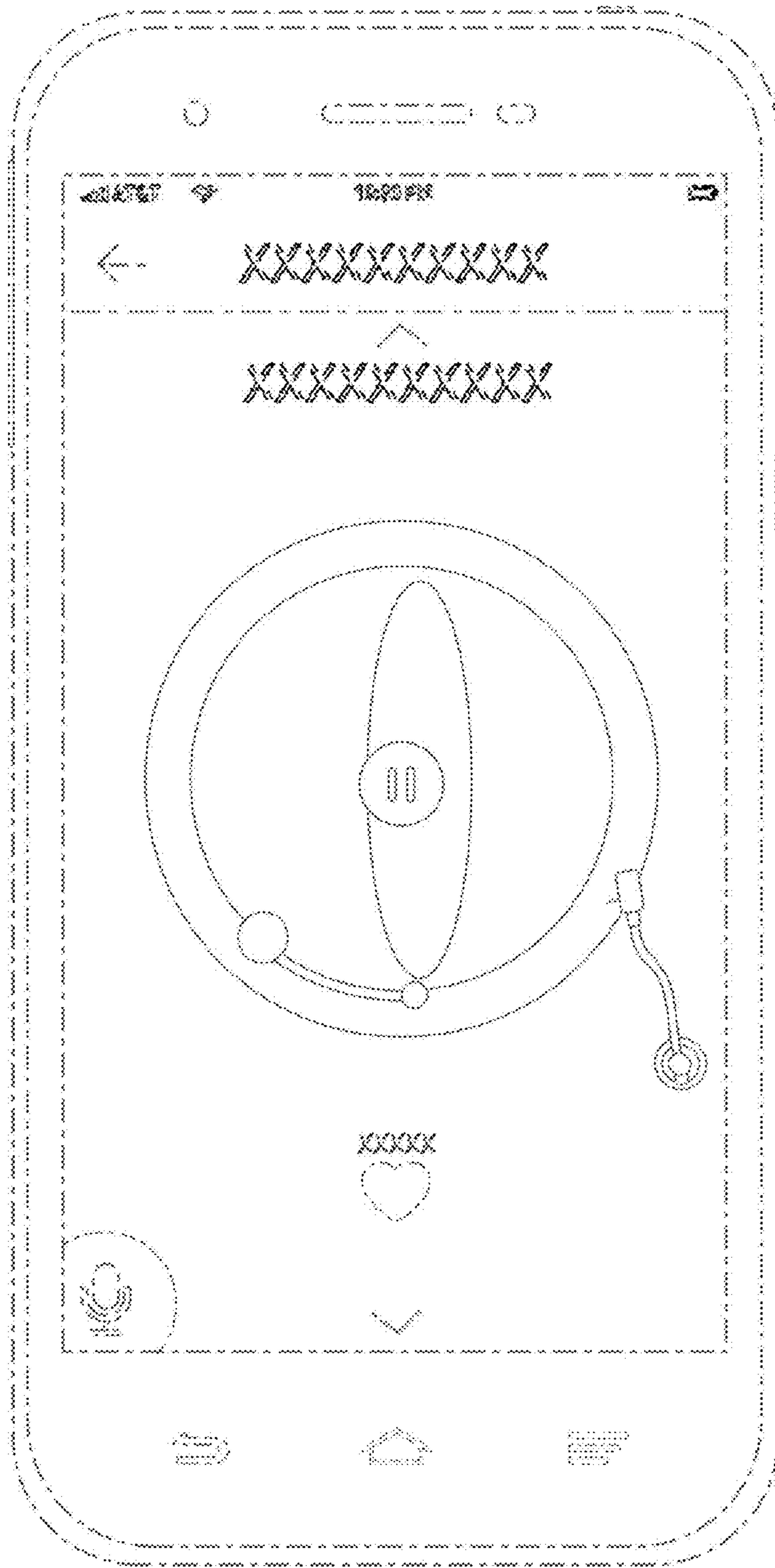


FIG. 10

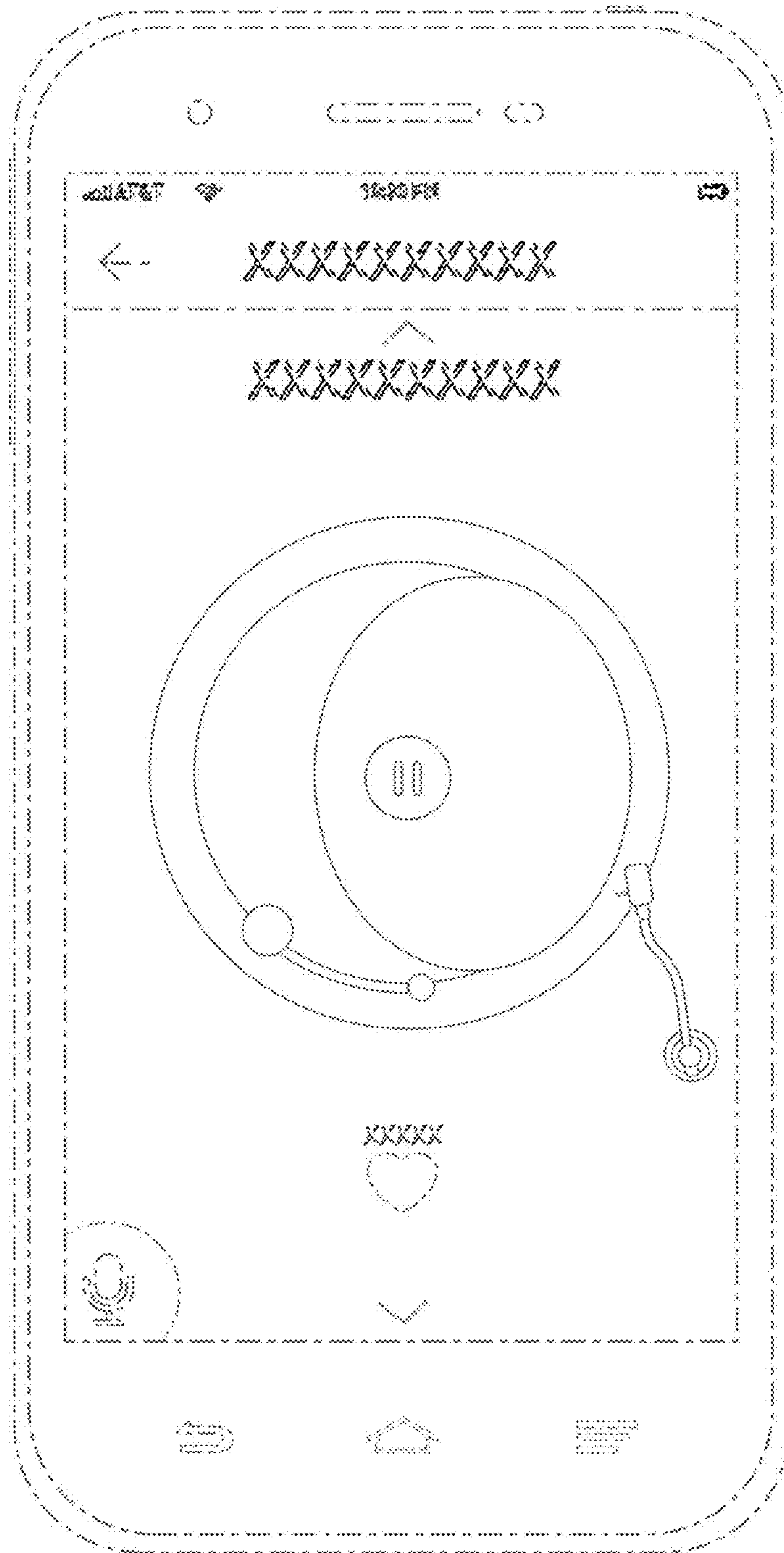


FIG. 11

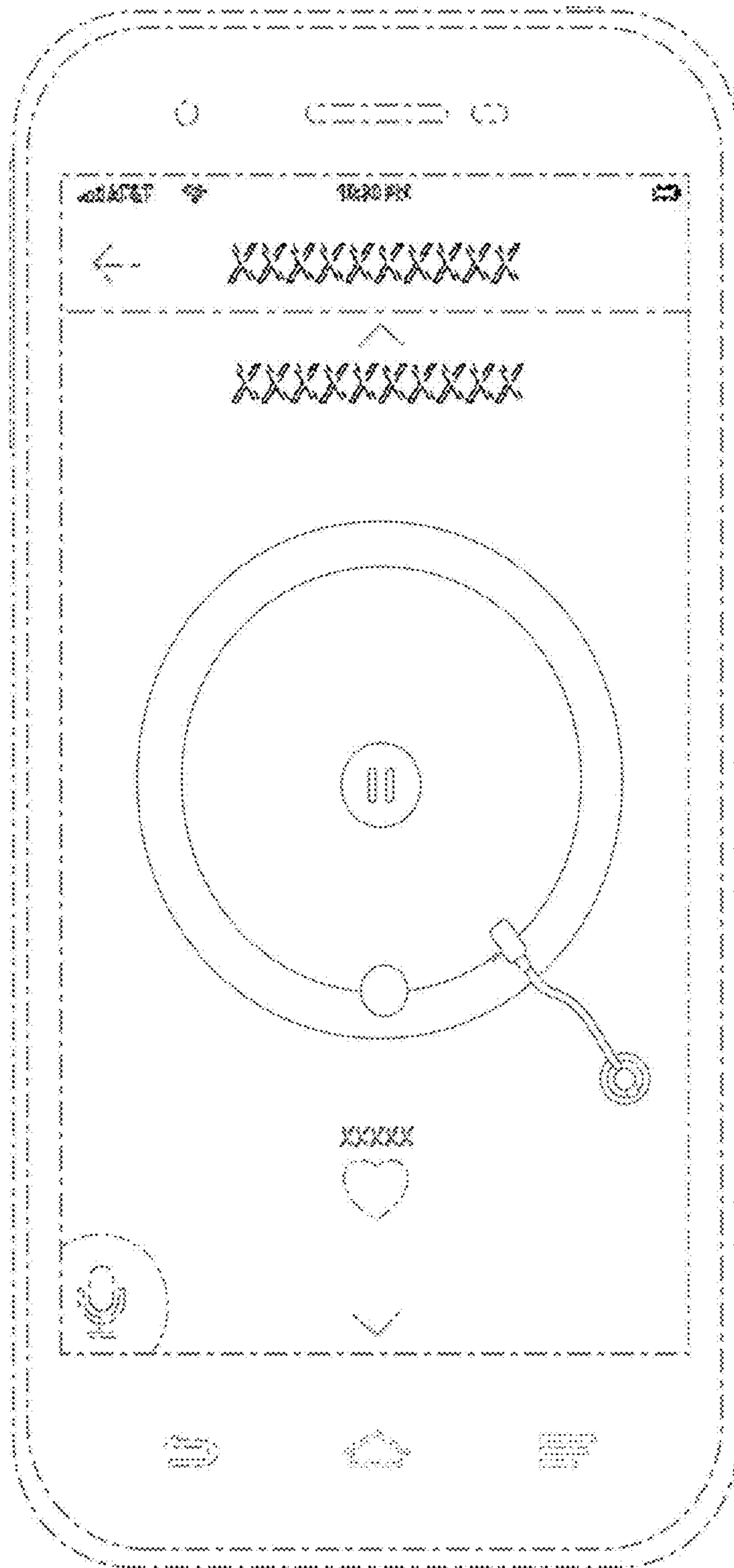


FIG. 12