



US00D778299S

(12) **United States Design Patent** (10) **Patent No.:** **US D778,299 S**
Binder et al. (45) **Date of Patent:** **** Feb. 7, 2017**

(54) **DISPLAY SCREEN OR PORTION THEREOF WITH GRAPHICAL USER INTERFACE**

D745,020 S * 12/2015 Mariet D14/486
D745,027 S * 12/2015 Scott D14/486
D752,063 S * 3/2016 Nuovo D14/485

(Continued)

(71) Applicant: **Layer3 TV, Inc.**, Denver, CO (US)

(72) Inventors: **Jeffrey Binder**, Denver, CO (US);
Miles Fenn, Denver, CO (US); **Jeff Bacon**, Shrewsbury, MA (US); **Vic Odryna**, Boston, MA (US); **Barry Lam**, Boston, MA (US); **Martin Fisher**, Cambridge, MA (US); **Phil Sutherland**, Wellesley, MA (US); **Patrick Herlihy**, Boston, MA (US)

(73) Assignee: **LAYER3 TV, INC.**, Denver, CO (US)

(**) Term: **15 Years**

(21) Appl. No.: **29/527,659**

(22) Filed: **May 20, 2015**

(51) **LOC (10) Cl.** **14-04**

(52) **U.S. Cl.**
USPC **D14/486**

(58) **Field of Classification Search**
USPC D14/485-495
CPC H04N 21/472; H04N 21/478
See application file for complete search history.

(56) **References Cited**

U.S. PATENT DOCUMENTS

D596,192 S * 7/2009 Shotel D14/486
D614,194 S * 4/2010 Guntaur D14/486
D614,196 S * 4/2010 Guntaur D14/486
D653,258 S * 1/2012 Cahill D14/486
D669,910 S * 10/2012 Tanghe D14/486
D719,970 S * 12/2014 Ebtakar D14/486
D736,789 S * 8/2015 Tursi D14/485
D744,519 S * 12/2015 Tursi D14/487

OTHER PUBLICATIONS

Dobie, Alex, Archos releases video player on Google Play, posted at Android Central, posting date Dec. 20, 2012. [online], [site visited Apr. 25, 2016]. Available from Internet, <URL: <http://www.androidcentral.com/archos-releases-video-player-google-play>>.*

(Continued)

Primary Examiner — Kevin Rudzinski

Assistant Examiner — Kathleen Jones

(74) *Attorney, Agent, or Firm* — Brownstein Hyatt Farber Schreck, LLP

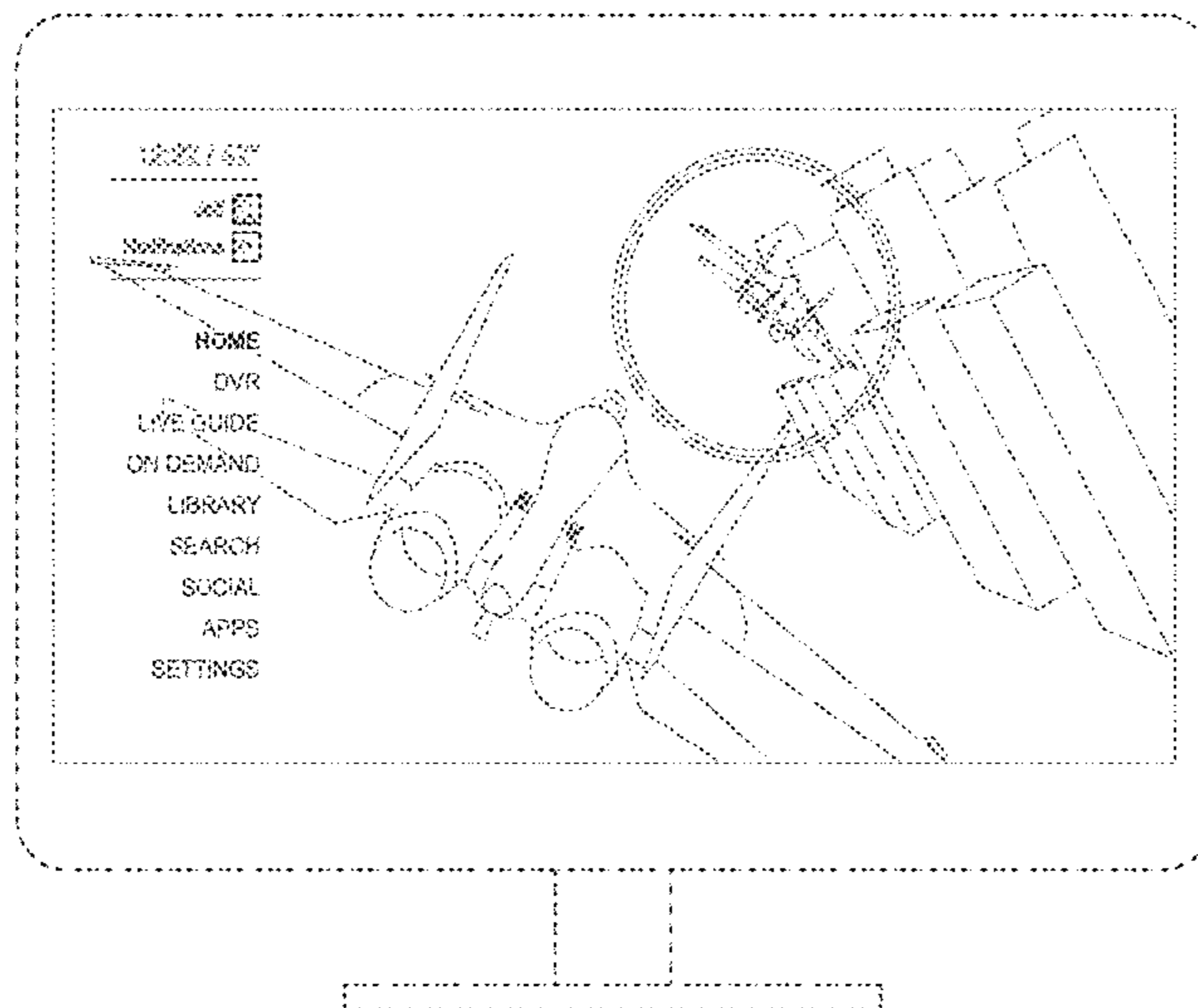
(57) **CLAIM**

The ornamental design for a display screen or portion thereof with graphical user interface, as shown and described.

DESCRIPTION

FIG. 1 is a front view of a display screen or portion thereof with a graphical user interface shown in an environment with a tablet;
FIG. 2 is a perspective view thereof;
FIG. 3 a front view of a display screen or portion thereof with a graphical user interface shown in an environment with a monitor; and,
FIG. 4 is a perspective view thereof.
The broken line showing the tablet in FIGS. 1 and 2 and the monitor in FIGS. 3 and 4 are included for the purpose illustrating environmental structure; the broken rectangle within the tablet or monitor showing the display screen and all other broken lines showing portions of the graphical user interface in all FIGS. are included for the purpose of illustrating portions of the article; all broken lines form no part of the claimed design.

1 Claim, 4 Drawing Sheets



(56)

References Cited

U.S. PATENT DOCUMENTS

D753,164 S * 4/2016 Vazquez D14/486
D754,690 S * 4/2016 Park D14/486
D757,061 S * 5/2016 Lee D14/486
D757,063 S * 5/2016 Odemchuk D14/486
D759,685 S * 6/2016 Wielgosz D14/486
D765,673 S * 9/2016 Leabman D14/485
D765,694 S * 9/2016 Knapp D14/486
D766,277 S * 9/2016 Dart D14/486
D766,286 S * 9/2016 Lee D14/486
D766,956 S * 9/2016 Eder D14/486
D768,163 S * 10/2016 Holl D14/486
D768,641 S * 10/2016 Wielgosz D14/485
D769,305 S * 10/2016 Williamson D14/488
2009/0228838 A1 * 9/2009 Ryan G09G 5/14
715/853
2016/0188308 A1 * 6/2016 Machalani G06F 8/61
717/178

OTHER PUBLICATIONS

Million, Jason, Nexus 5 VS Oneplus One: Killer Specs With Cheap Prices, posted at JMillionNYC, posting date Oct. 16, 2014. [online], [site visited Apr. 25, 2016]. Available from Internet, <URL: <http://www.jmillionnyc.com/category/gadgets/>>.*

Phillips, Jon, Google TV, Take 2: Android Apps Join the Smart TV Party, posted at WIRED, posting date Oct. 28, 2011. [online], [site visited Apr. 25, 2016]. Available from Internet, <URL: <http://www.wired.com/2011/10/google-tv-android-market/>>.*

Witting, Alexander, Test: Amazon Fire TV, posted at Hardwareluxx, posting date Oct. 22, 2014. [online], [site visited Apr. 25, 2016]. Available from Internet, <URL: <http://www.hardwareluxx.com/index.php/reviews/consumer-electronics/home-cinema/32959-test-amazon-fire-tv.html>>.*

* cited by examiner

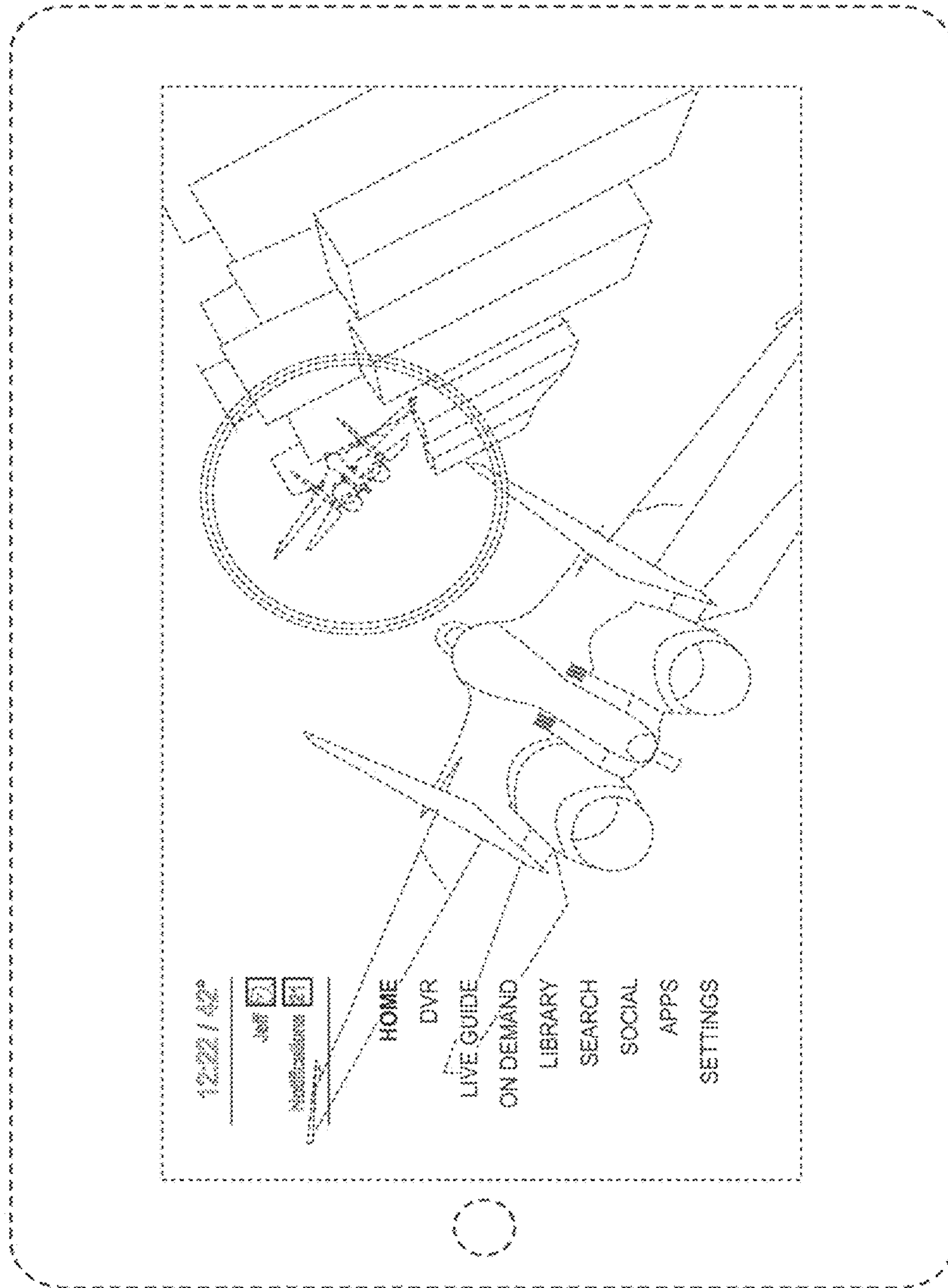


FIG. 1

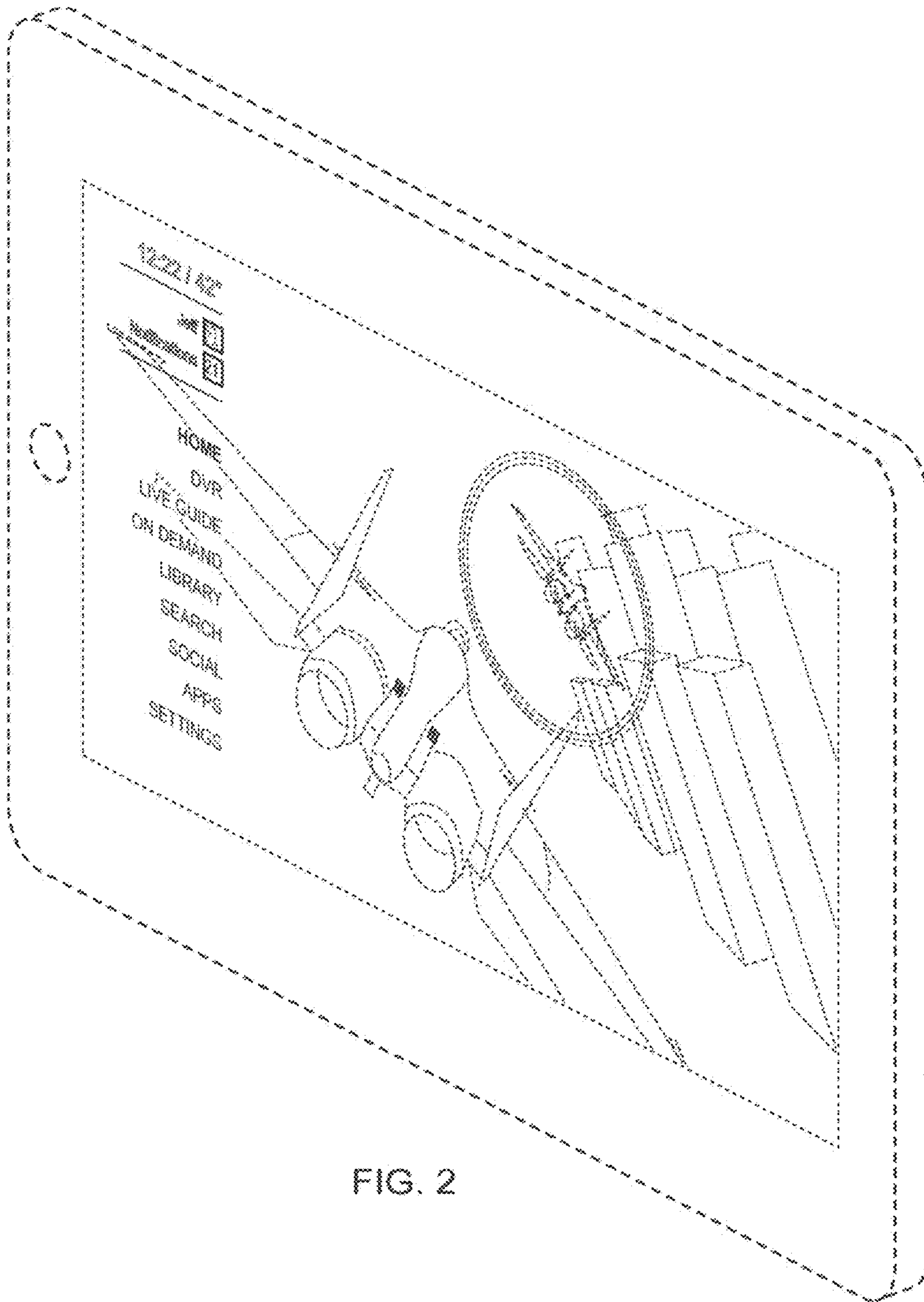


FIG. 2

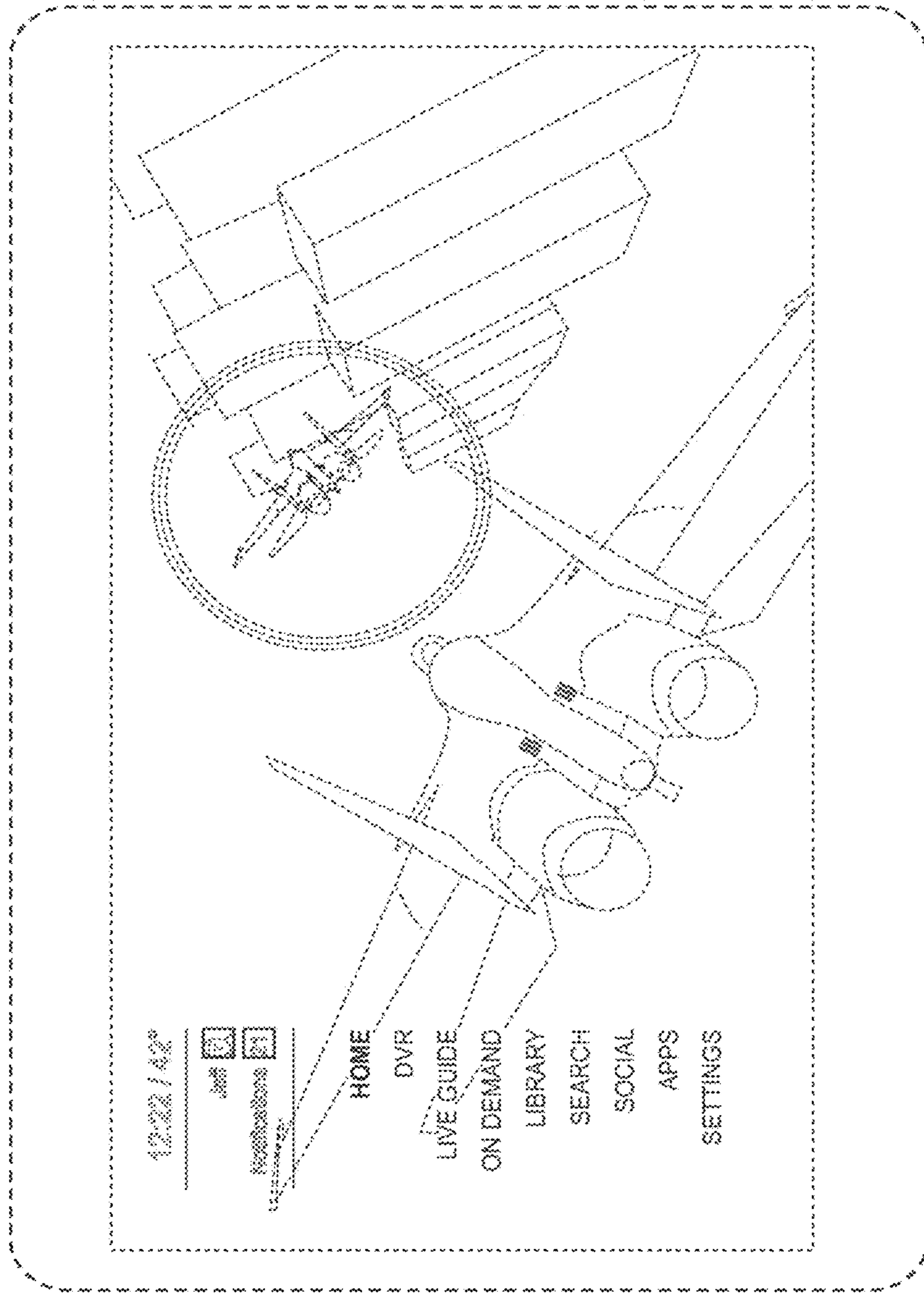


FIG. 3

