



US00D778283S

(12) **United States Design Patent**
Tsai

(10) **Patent No.:** **US D778,283 S**

(45) **Date of Patent:** **** Feb. 7, 2017**

(54) **SUPPORTING STAND FOR MOBILE
COMPUTER**

(71) Applicant: **GETAC TECHNOLOGY
CORPORATION**, Hsinchu County
(TW)

(72) Inventor: **Wan-Hua Tsai**, Taipei (TW)

(73) Assignee: **Getac Technology Corporation**,
Hsinchu County (TW)

(**) Term: **15 Years**

(21) Appl. No.: **29/542,854**

(22) Filed: **Oct. 19, 2015**

(51) **LOC (10) Cl.** **08-07**

(52) **U.S. Cl.**
USPC **D14/447**

(58) **Field of Classification Search**
USPC D14/447, 432, 434, 439, 440, 451, 452,
D14/457, 239; D8/363, 373, 380;
D6/406.3, 406.4, 406.5, 406.6; D12/415
CPC A47B 21/04; A47B 2097/006; A47B
2097/005; A47B 2023/049; A45C
2011/002; A45C 2011/003; F16M
2200/00; F16M 13/00

See application file for complete search history.

(56) **References Cited**

U.S. PATENT DOCUMENTS

D648,727 S	*	11/2011	Van Den Nieuwenhuizen	D14/447
D680,122 S	*	4/2013	Yang	D14/447
D685,380 S	*	7/2013	Richter	D14/253
D688,670 S	*	8/2013	Huang	D14/447
D692,013 S	*	10/2013	Crysell	D14/447
D695,748 S	*	12/2013	Morris	D14/447
D697,515 S	*	1/2014	Adelman	D14/447

D704,200 S	*	5/2014	Rayner	D14/447
D710,365 S	*	8/2014	Huang	D14/447
D714,793 S	*	10/2014	Kim	D14/447
D717,804 S	*	11/2014	Budge	D14/447
D723,042 S	*	2/2015	Lee	D14/447

(Continued)

Primary Examiner — Angela J Lee

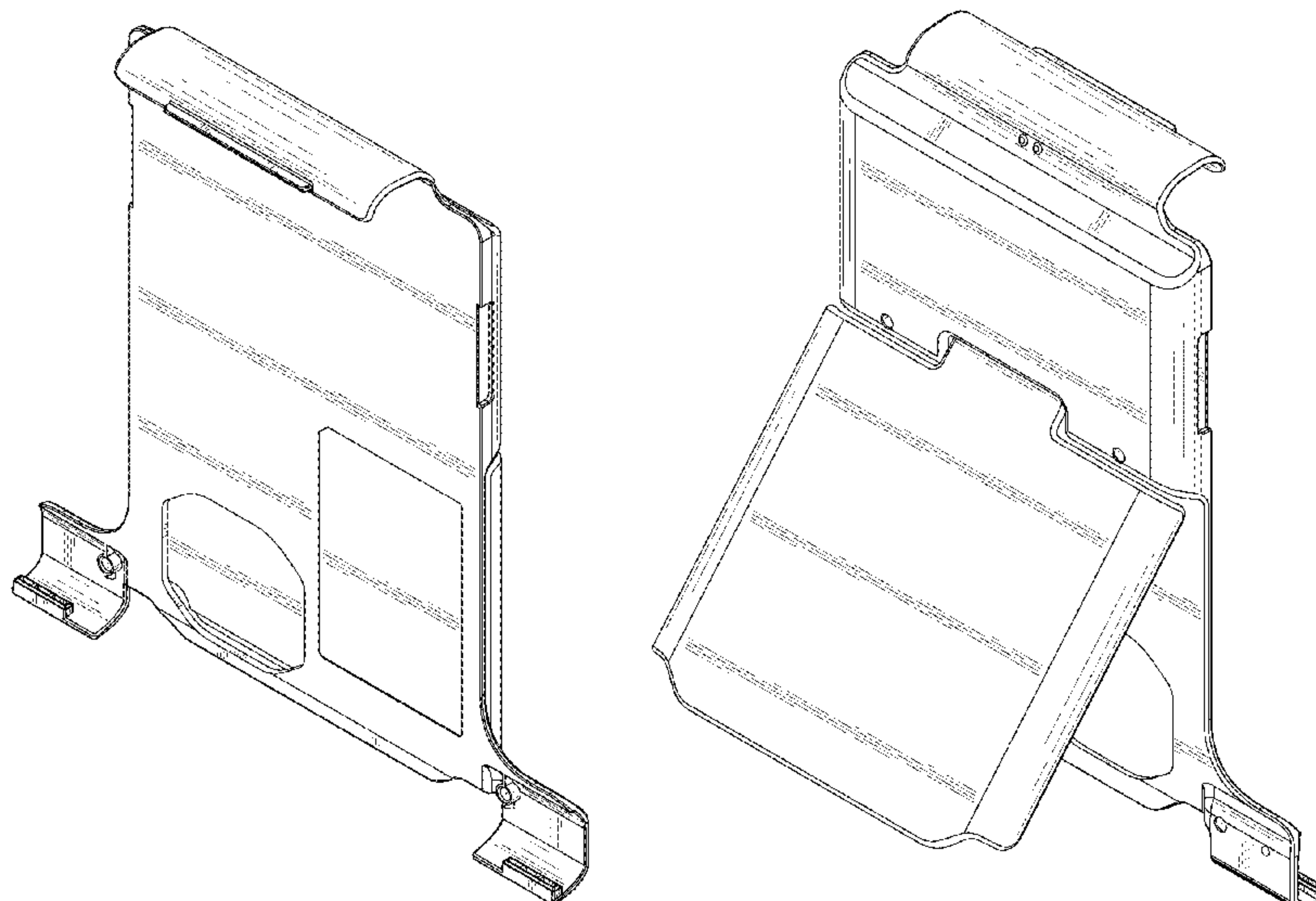
(57) **CLAIM**

The ornamental design for a supporting stand for mobile computer, as shown and described.

DESCRIPTION

FIG. 1 is a top front right perspective view showing a first embodiment of my new design;
 FIG. 2 is a top rear left perspective view showing a first embodiment of my new design;
 FIG. 3 is a bottom rear left perspective view showing a first embodiment of my new design;
 FIG. 4 is a front view of the first embodiment of my new design;
 FIG. 5 is a rear view of the first embodiment of my new design;
 FIG. 6 is a left side view of the first embodiment of my new design;
 FIG. 7 is a right side view of the first embodiment of my new design;
 FIG. 8 is a top view of the first embodiment of my new design;
 FIG. 9 is a bottom view of the first embodiment of my new design;
 FIG. 10 is a top rear left perspective view of the first embodiment of my new design to the open state;
 FIG. 11 is a top rear left perspective view of the first embodiment of my new design with a wristbands; and,
 FIG. 12 is a top rear left perspective view of the first embodiment of my new design with a mobile computer.
 The broken lines shown in the drawings represent environment that form no part of the claimed design.

1 Claim, 12 Drawing Sheets



(56)

References Cited

U.S. PATENT DOCUMENTS

D723,569 S * 3/2015 Peng D14/440

* cited by examiner

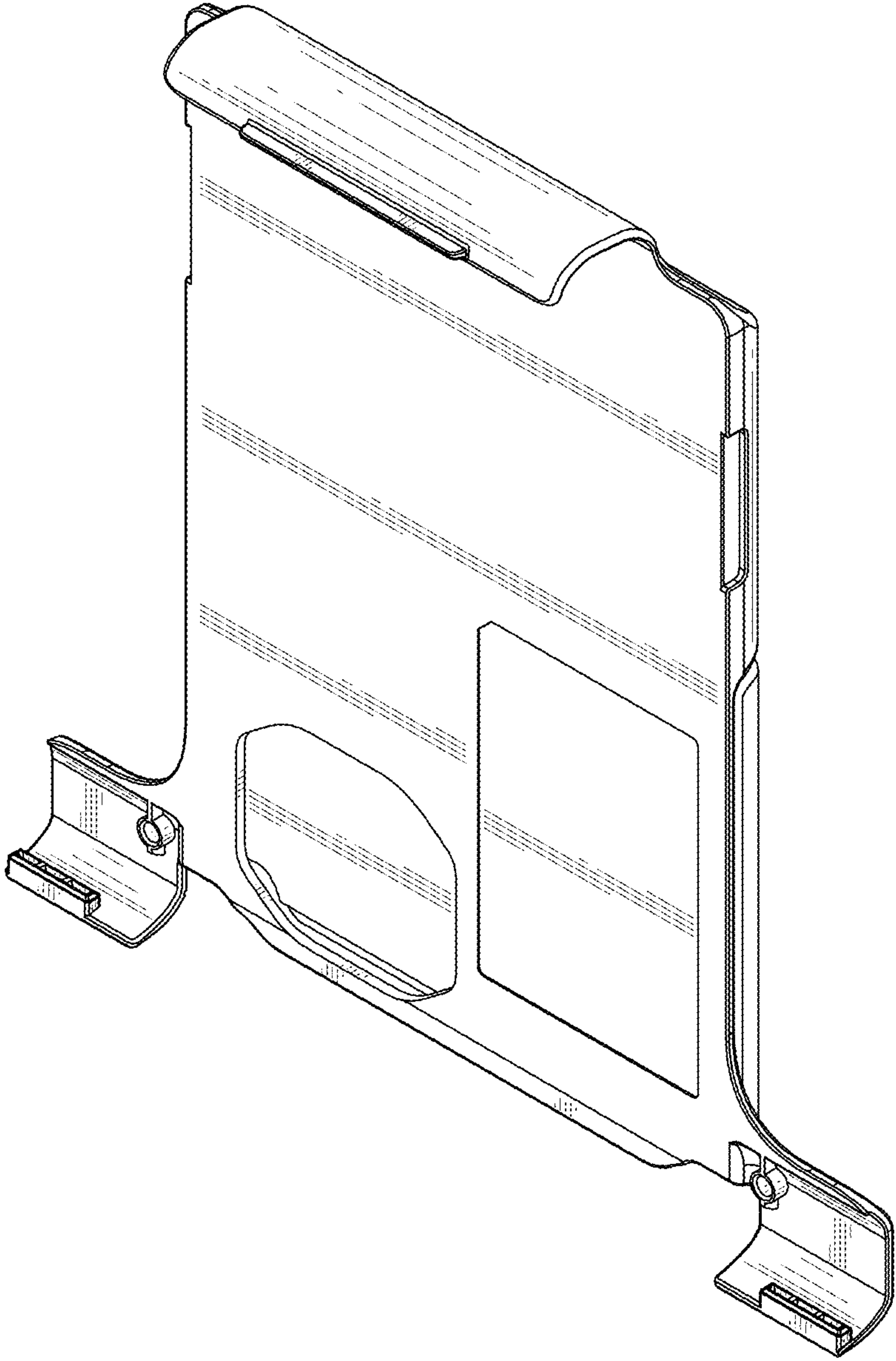


FIG. 1

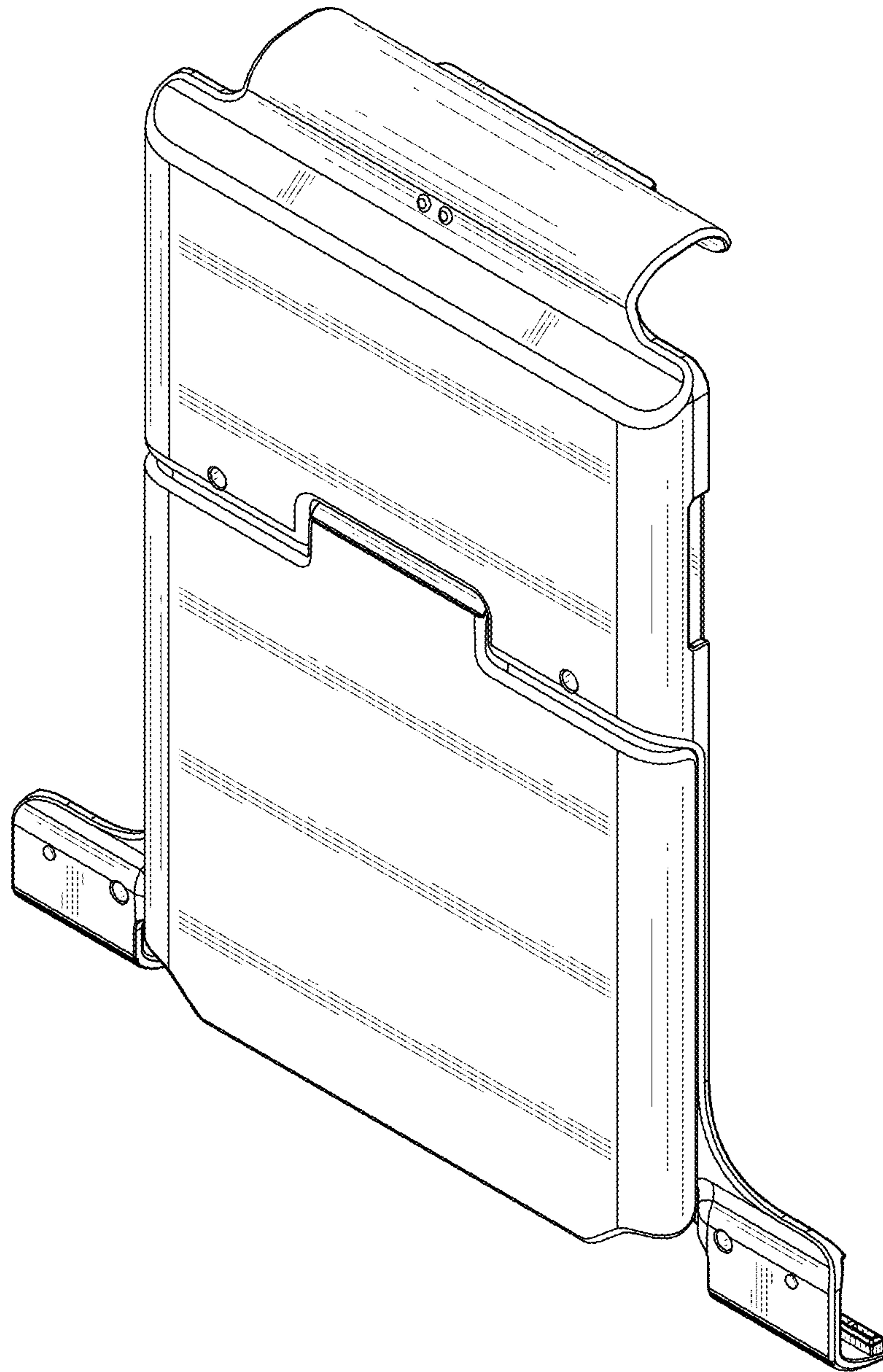


FIG. 2

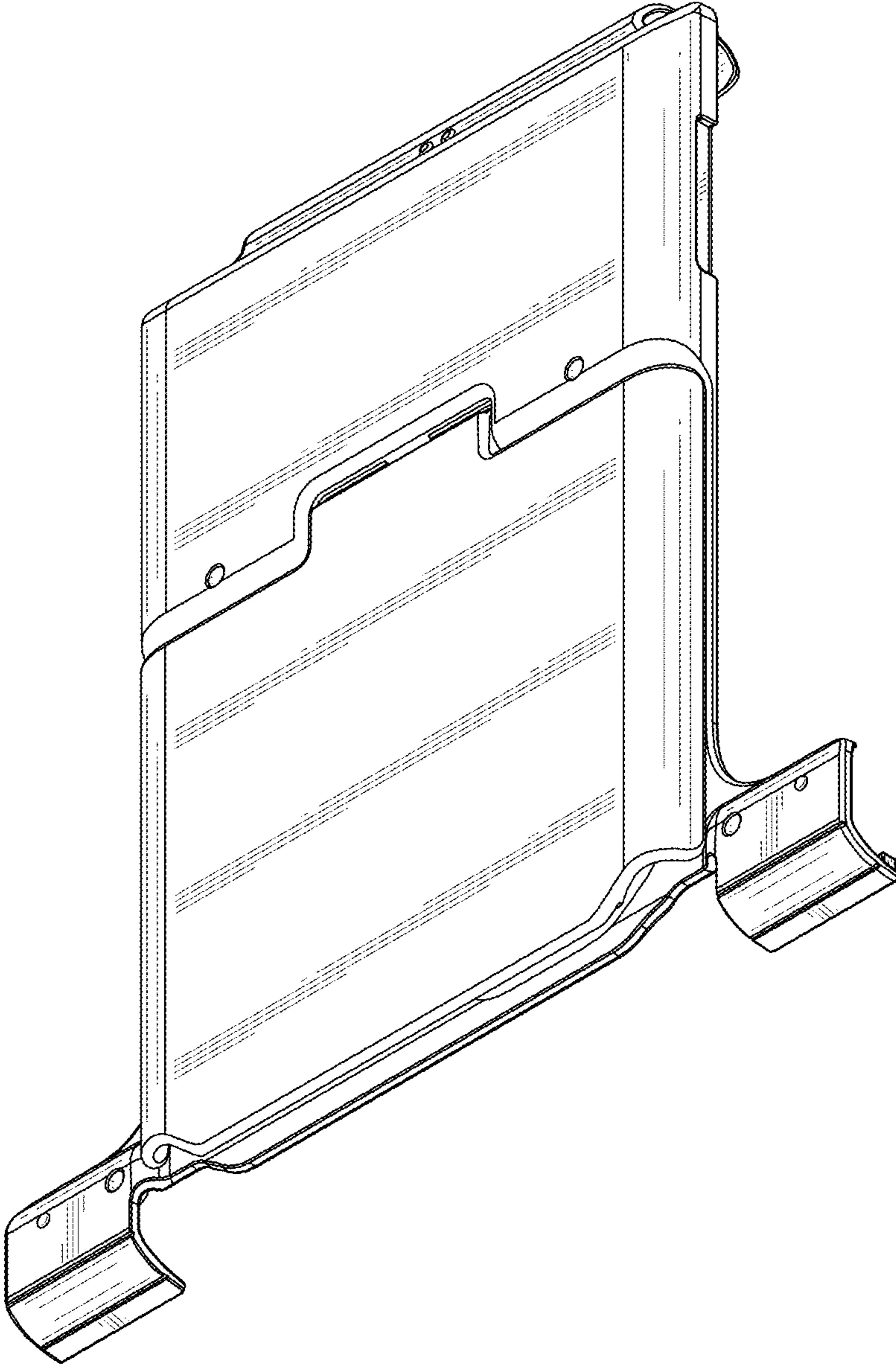


FIG. 3

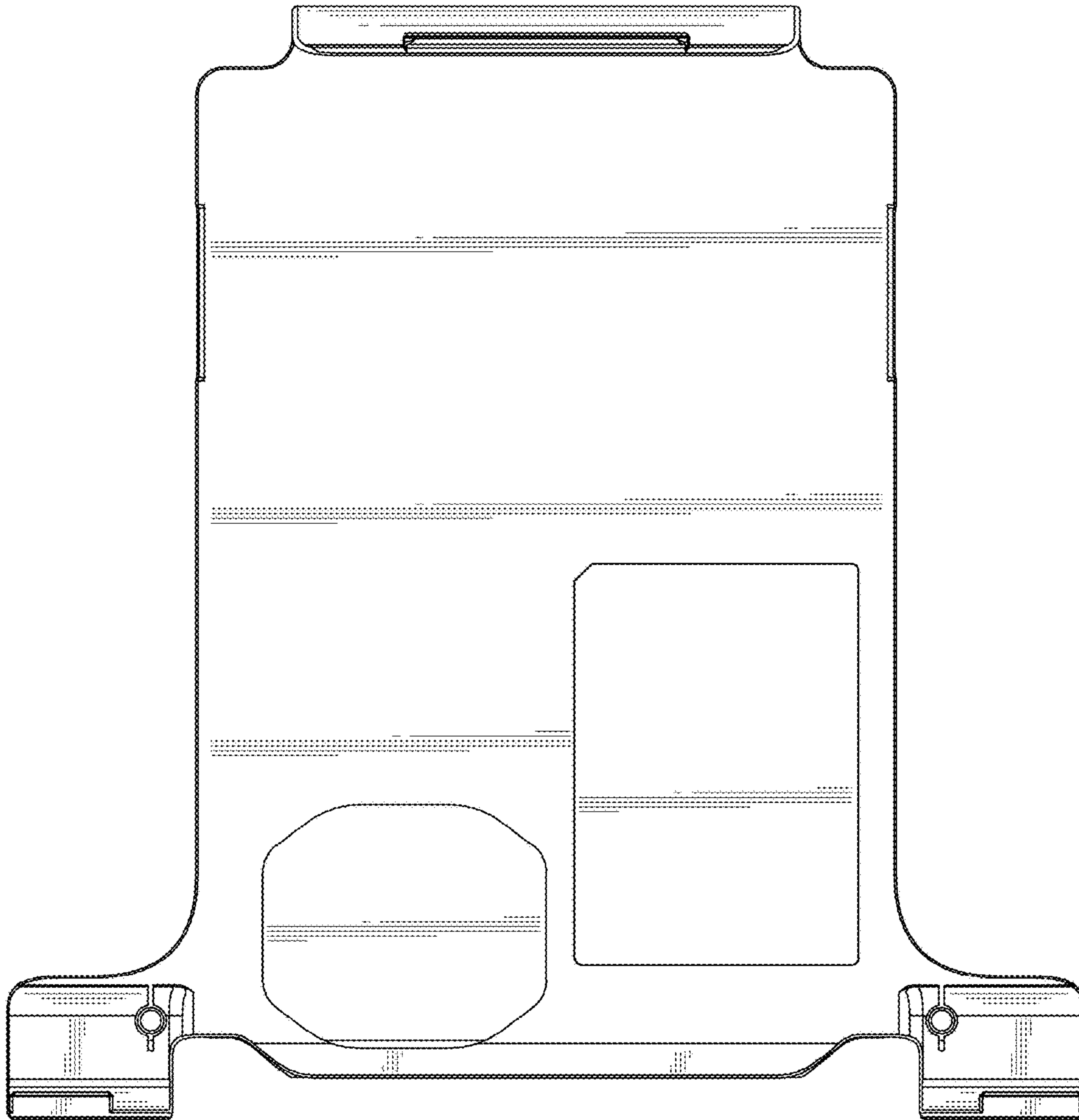


FIG. 4

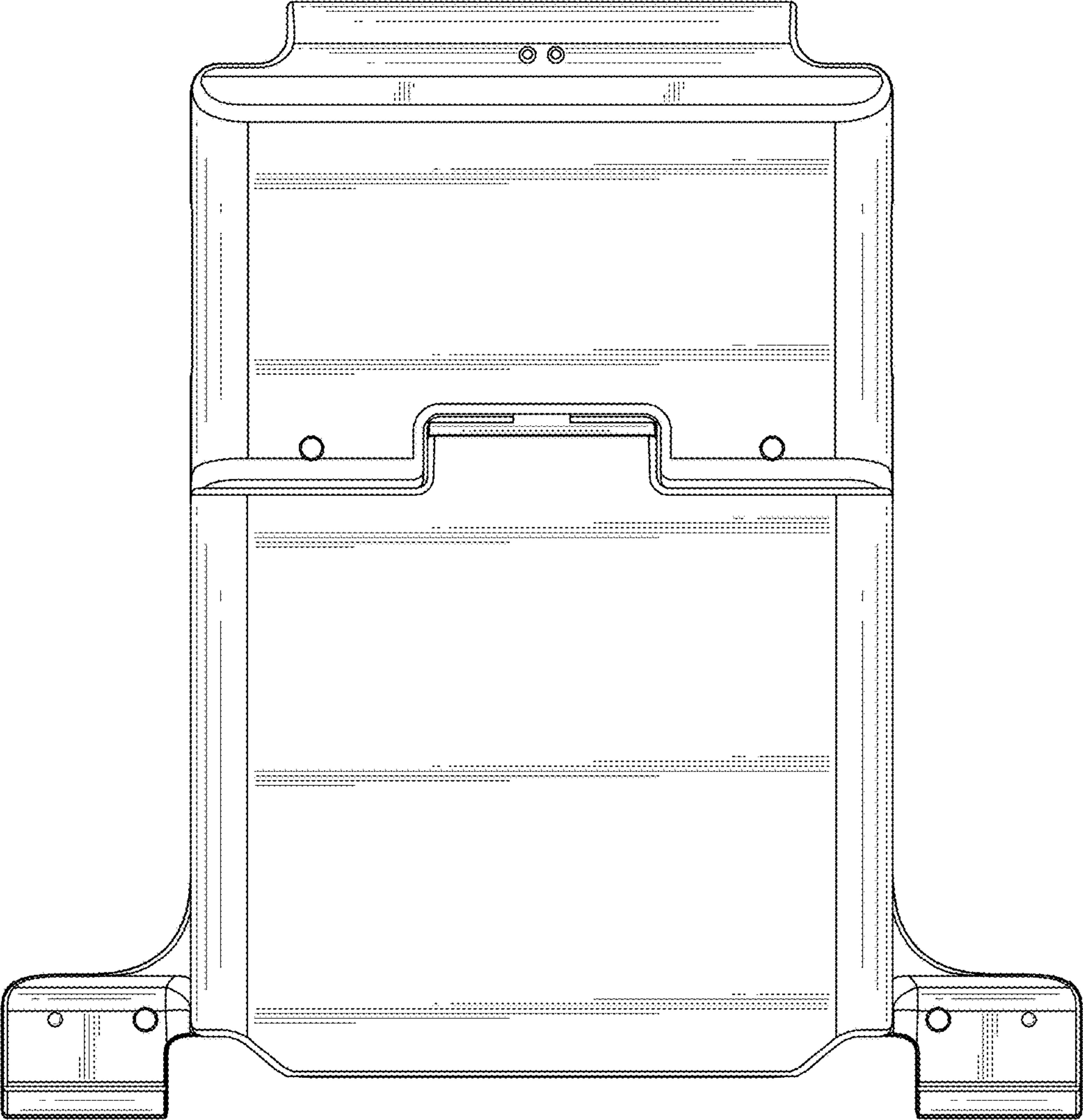


FIG. 5

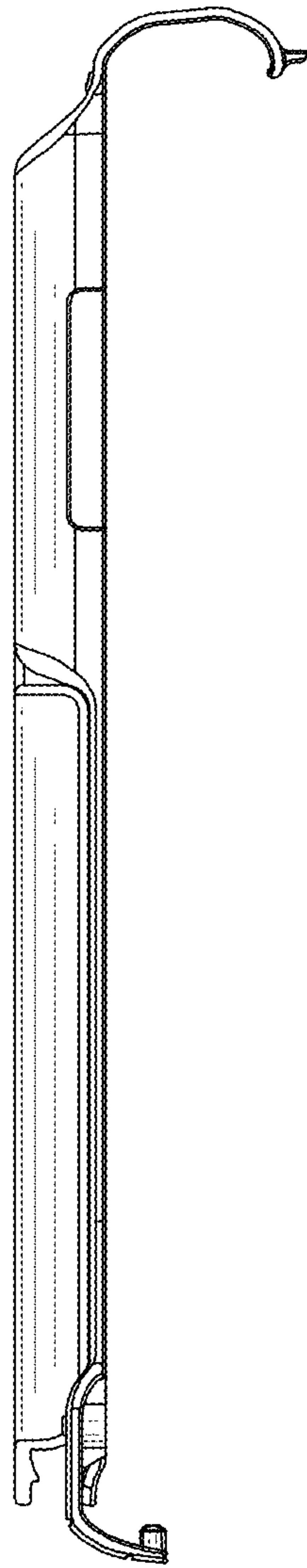


FIG. 6

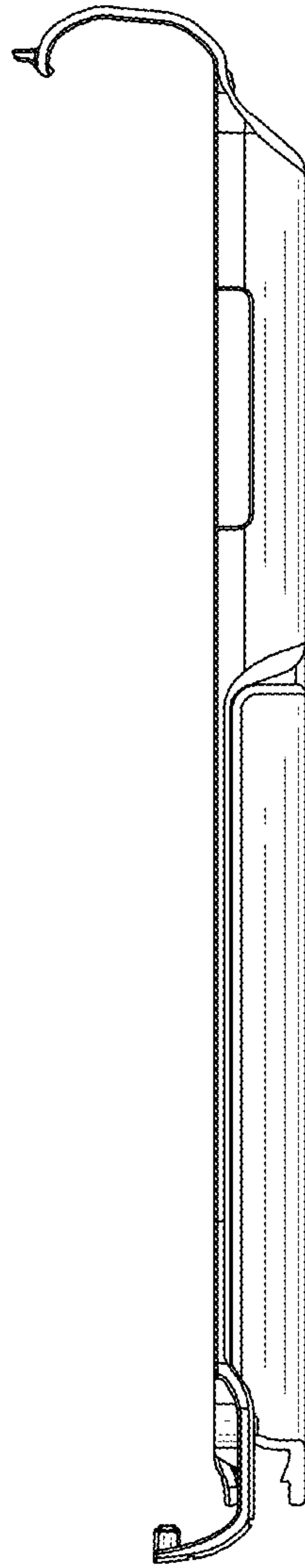


FIG. 7

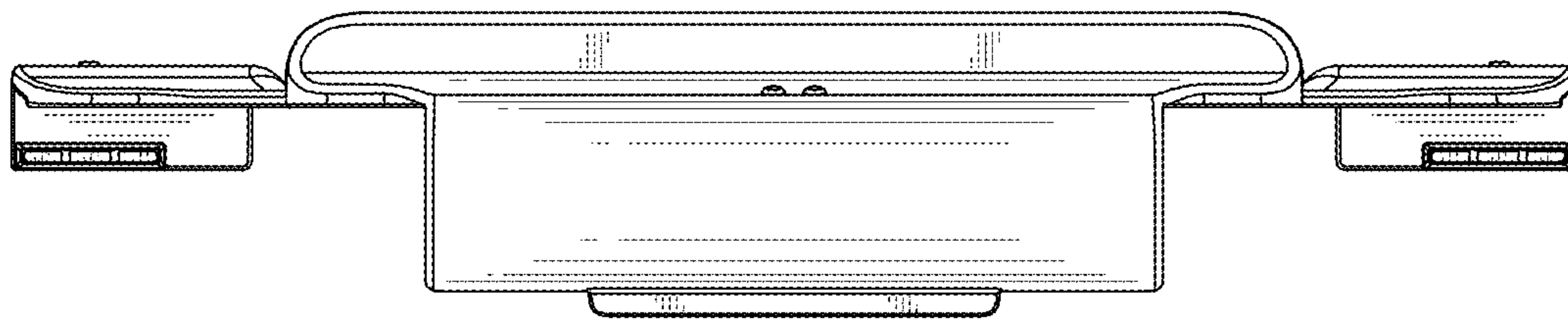


FIG. 8

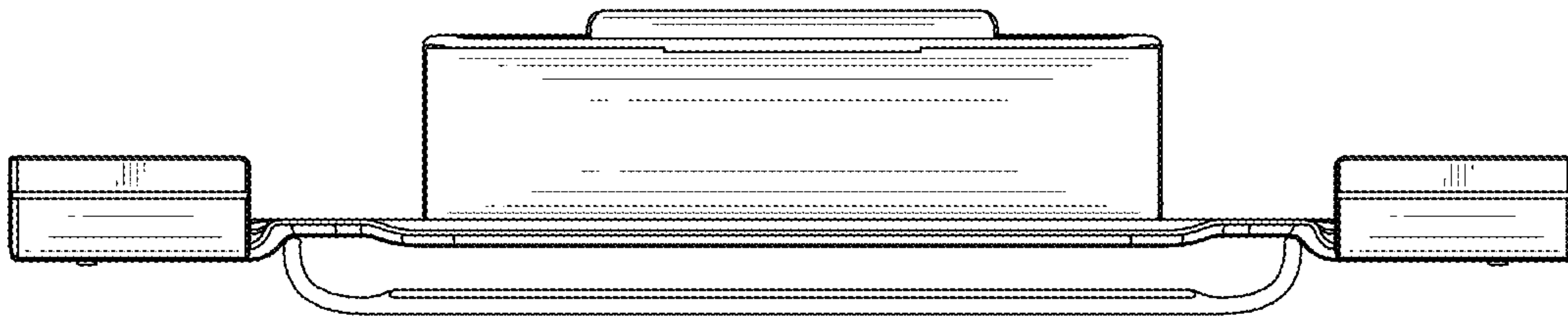


FIG. 9

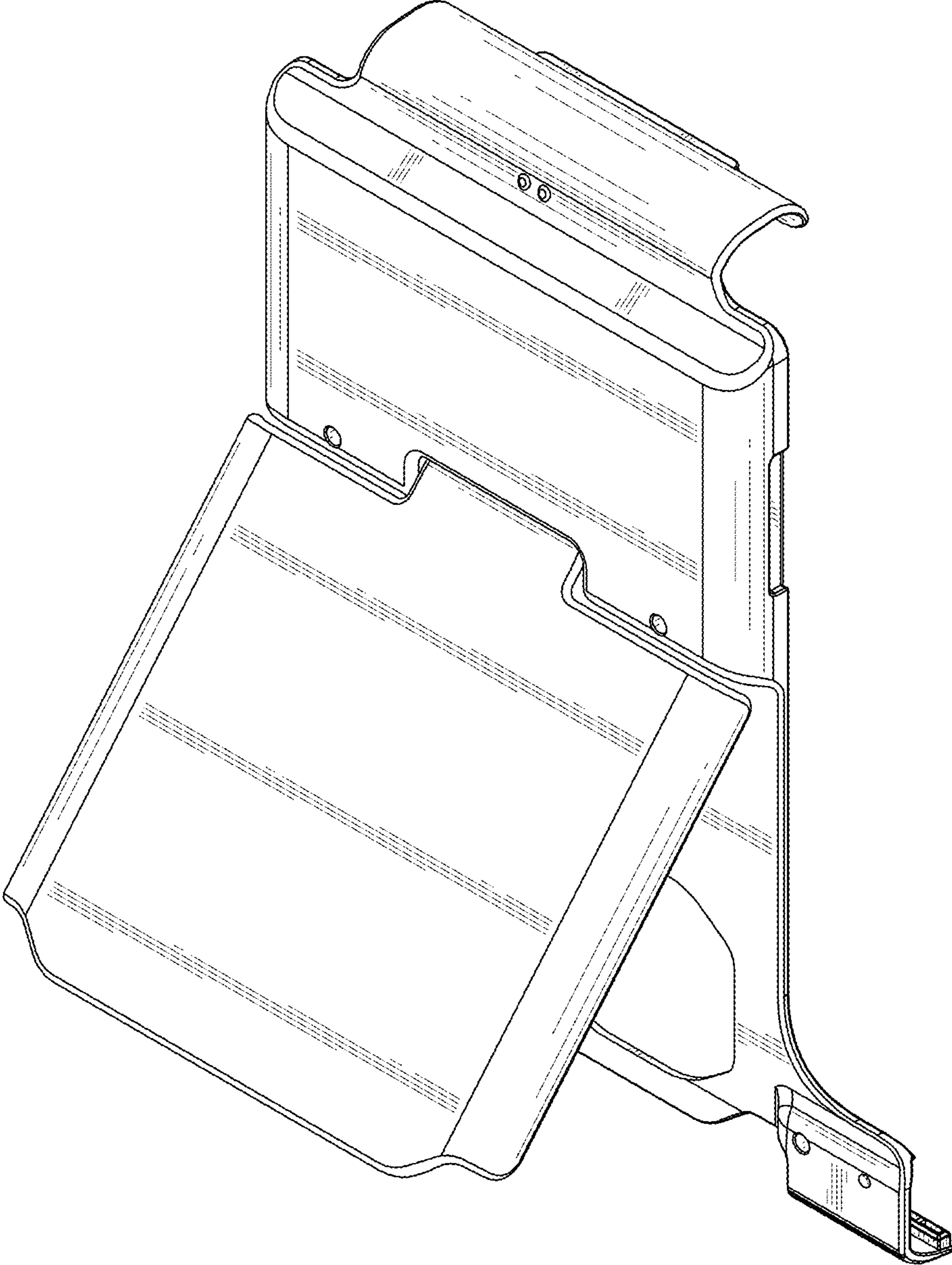


FIG. 10

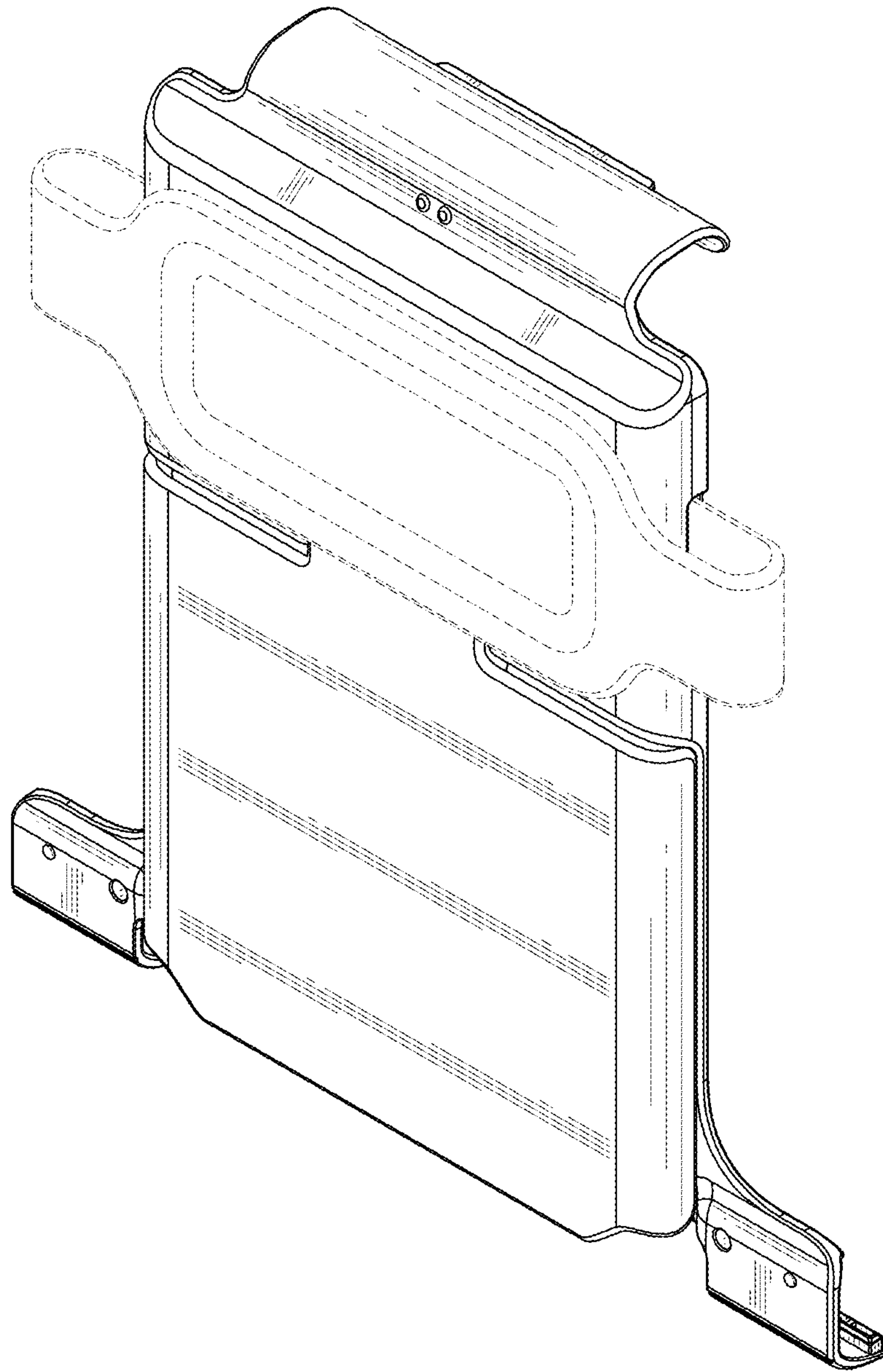


FIG. 11

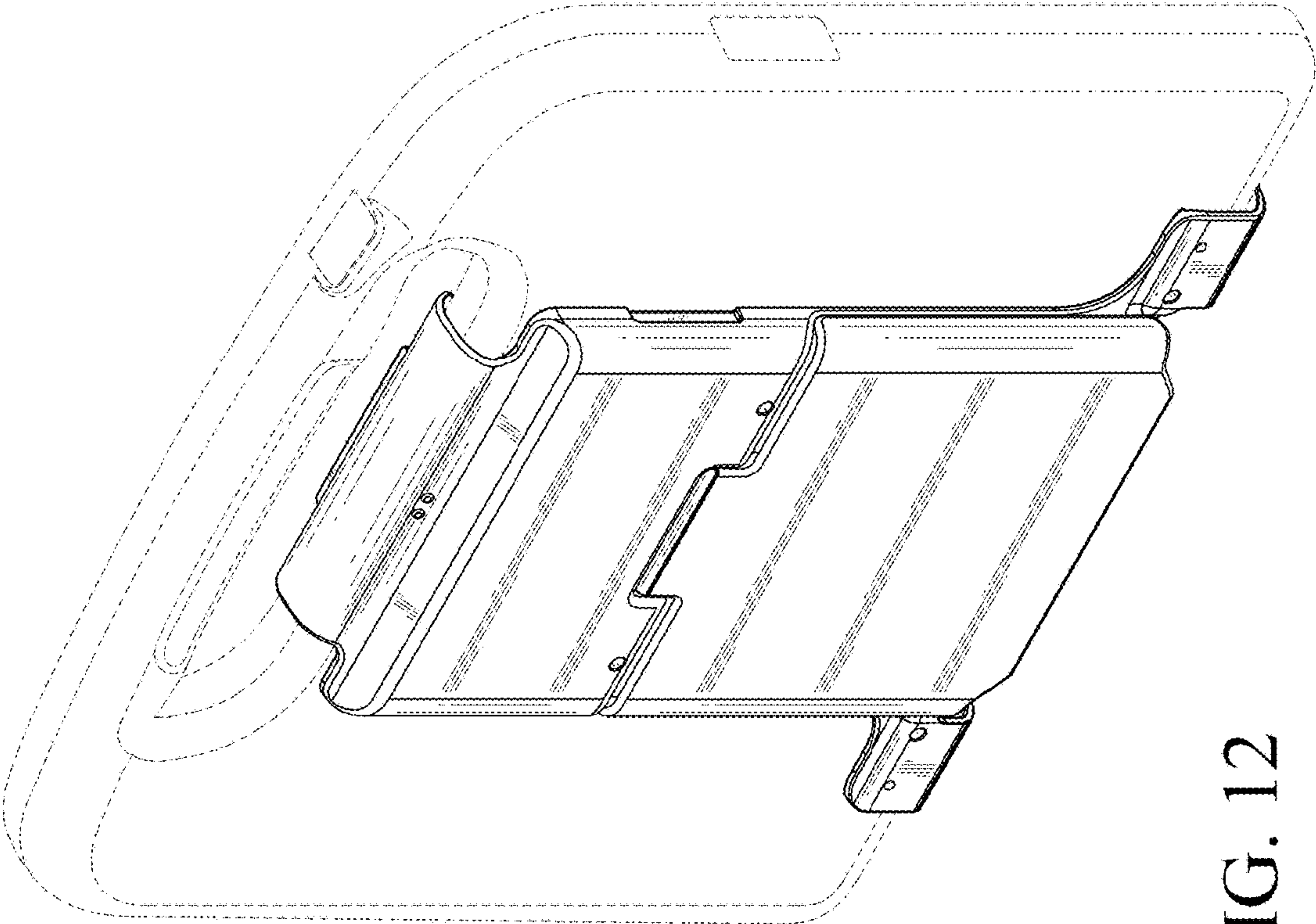


FIG. 12