



US00D778281S

(12) **United States Design Patent**  
**Rodrigues**

(10) **Patent No.:** **US D778,281 S**

(45) **Date of Patent:** **\*\* Feb. 7, 2017**

(54) **COMPUTER KEYBOARD**

(71) Applicant: **Roccat GmbH**

(72) Inventor: **David Manuel Arcanjo Rodrigues,**  
Hamburg (DE)

(73) Assignee: **Roccat GmbH,** Hamburg (DE)

(\*\*) Term: **15 Years**

(21) Appl. No.: **29/534,252**

(22) Filed: **Jul. 27, 2015**

(51) **LOC (10) Cl.** ..... **14-02**

(52) **U.S. Cl.**  
USPC ..... **D14/392**

(58) **Field of Classification Search**  
USPC ..... D14/240, 315, 391-399, 433, 447,  
D14/455, 456; D18/1, 2, 7, 11  
CPC .... G06F 1/1616; G06F 1/1632; G06F 3/0202;  
G06F 3/0205; G06F 3/0219; G06F  
3/0221; H04L 17/04; H04L 17/12; B41J  
5/10  
See application file for complete search history.

(56) **References Cited**

**U.S. PATENT DOCUMENTS**

4,692,756	A	*	9/1987	Clark	.....	G06F 3/0213
						341/13
D315,895	S	*	4/1991	Paine	.....	D14/339
D360,629	S	*	7/1995	Ho	.....	D14/397
D386,171	S	*	11/1997	Tague	.....	D14/398
D470,501	S	*	2/2003	Yamada	.....	D14/392
D528,117	S	*	9/2006	Shimizu	.....	D14/391
D590,405	S	*	4/2009	Smith	.....	D14/455
D604,845	S	*	11/2009	Hibi	.....	D24/107

D719,260	S	*	12/2014	Shimobayashi	.....	D24/138
D726,724	S	*	4/2015	Wahlqvist	.....	D14/390
9,454,257	B2	*	9/2016	Lu	.....	G06F 3/0416
2002/0002935	A1	*	1/2002	Lease	.....	A47B 23/002
						108/43

**FOREIGN PATENT DOCUMENTS**

CA	163602	*	3/2016
EM	002743328-0005	*	8/2015

**OTHER PUBLICATIONS**

Roccat Soya Modular Wireless Keyboard with Mouse Pad. Product Review [online]. Gadgets.in.com, 2014 [retrieved on Sep. 8, 2016]. Retrieved from the internet: <URL: <http://gadgets.in.com/roccat-sova-modular-wireless-keyboard-with-mouse-pad.htm>>.\*

\* cited by examiner

*Primary Examiner* — George D Kirschbaum  
*Assistant Examiner* — Joseph Kukella  
(74) *Attorney, Agent, or Firm* — Inventa Capital PLC

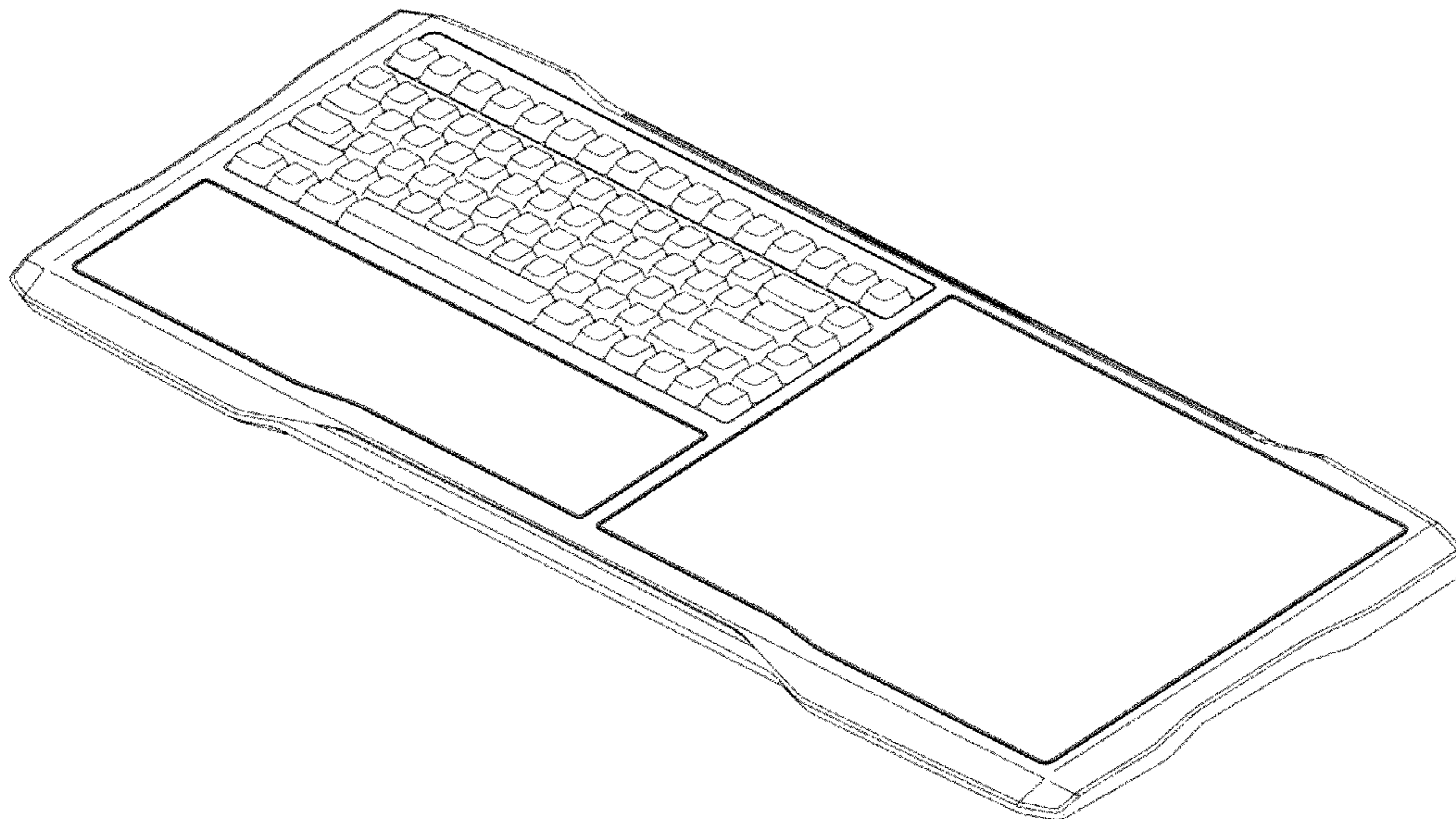
(57) **CLAIM**

I claim the ornamental design for a computer keyboard, as shown and described.

**DESCRIPTION**

FIG. 1 is a perspective front view of a computer keyboard; FIG. 2 is a perspective back view of the computer keyboard; FIG. 3 is a top view of the computer keyboard; FIG. 4 is a bottom view of the computer keyboard; FIG. 5 is a front view of the computer keyboard; FIG. 6 is a back view of the computer keyboard; FIG. 7 is a left view of the computer keyboard; and, FIG. 8 is a right view of the computer keyboard.

**1 Claim, 5 Drawing Sheets**



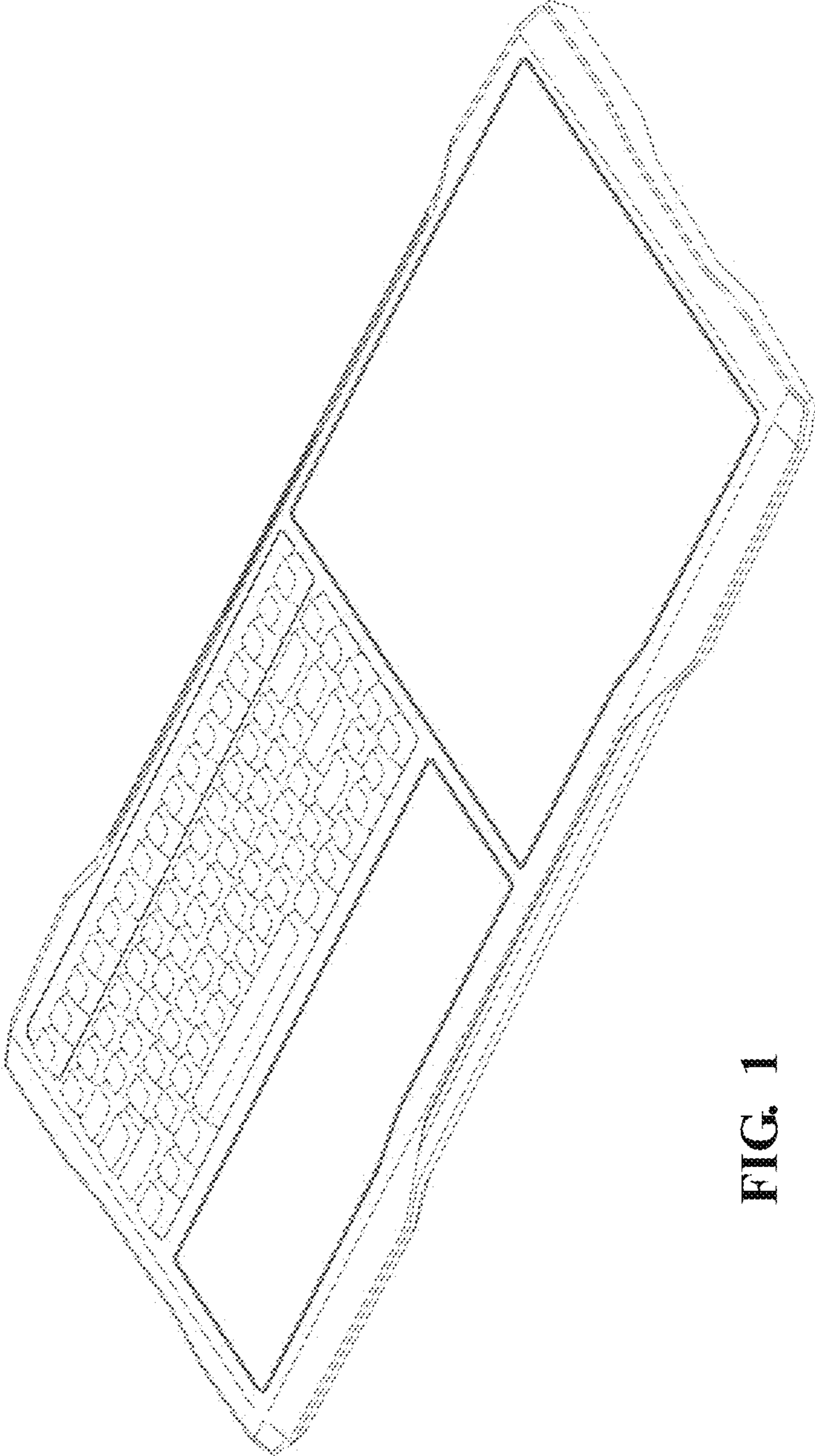
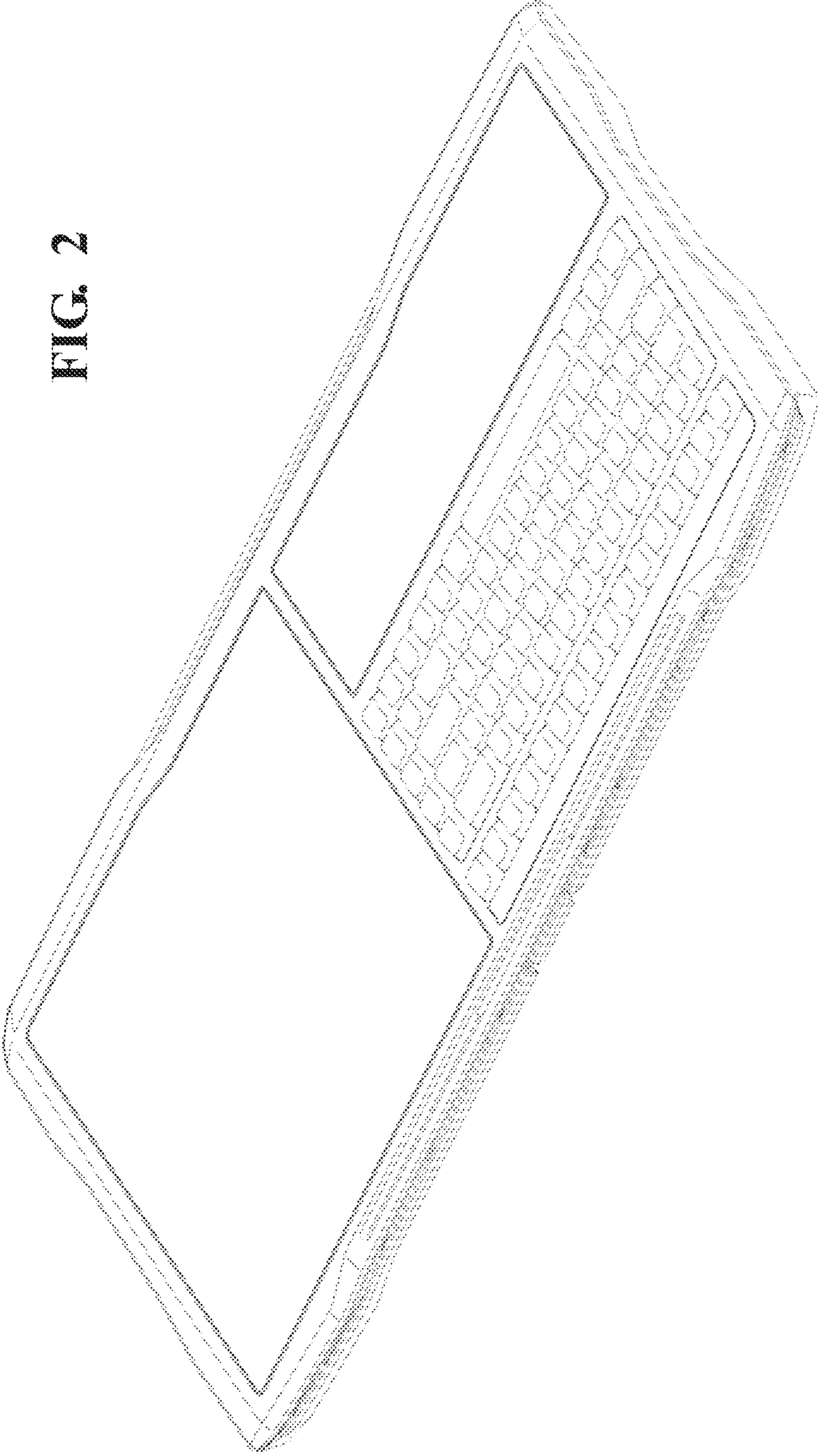


FIG. 1

FIG. 2



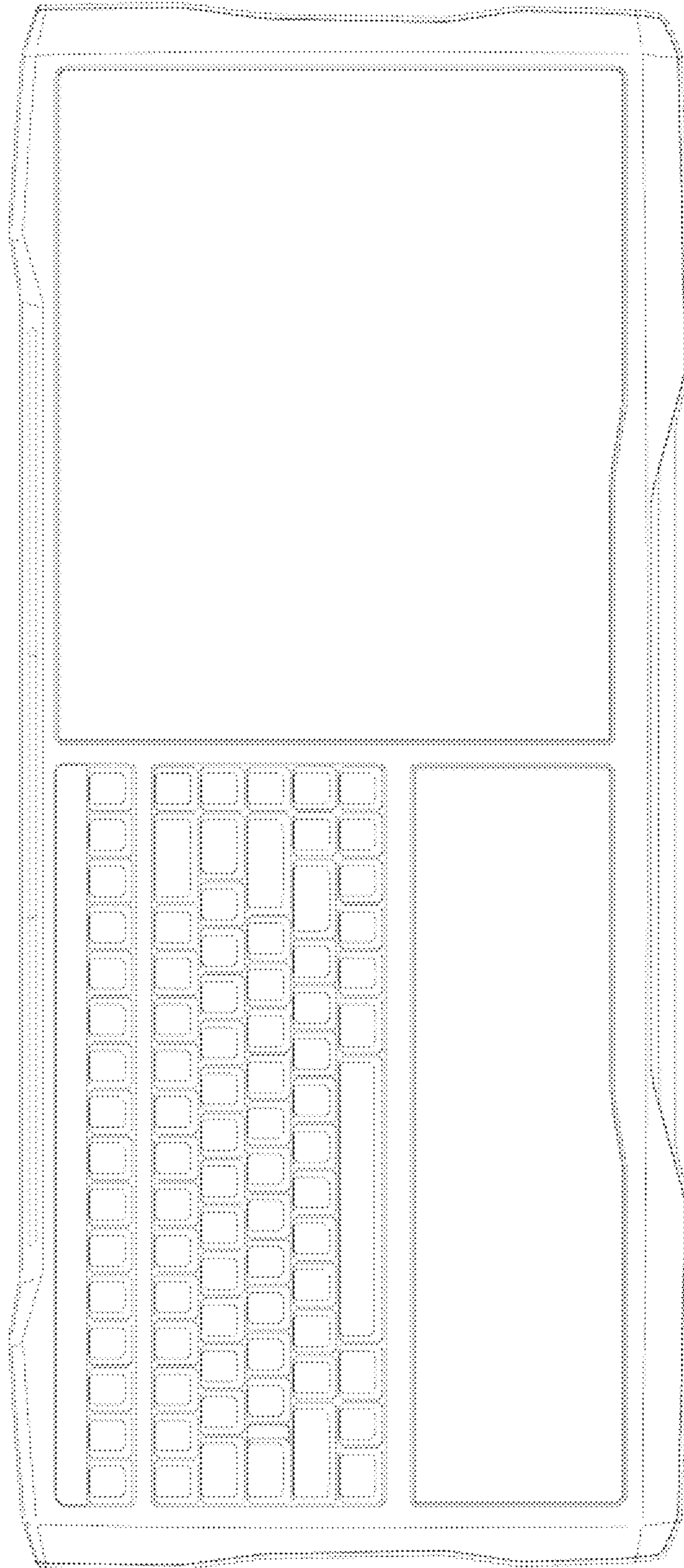


FIG. 3

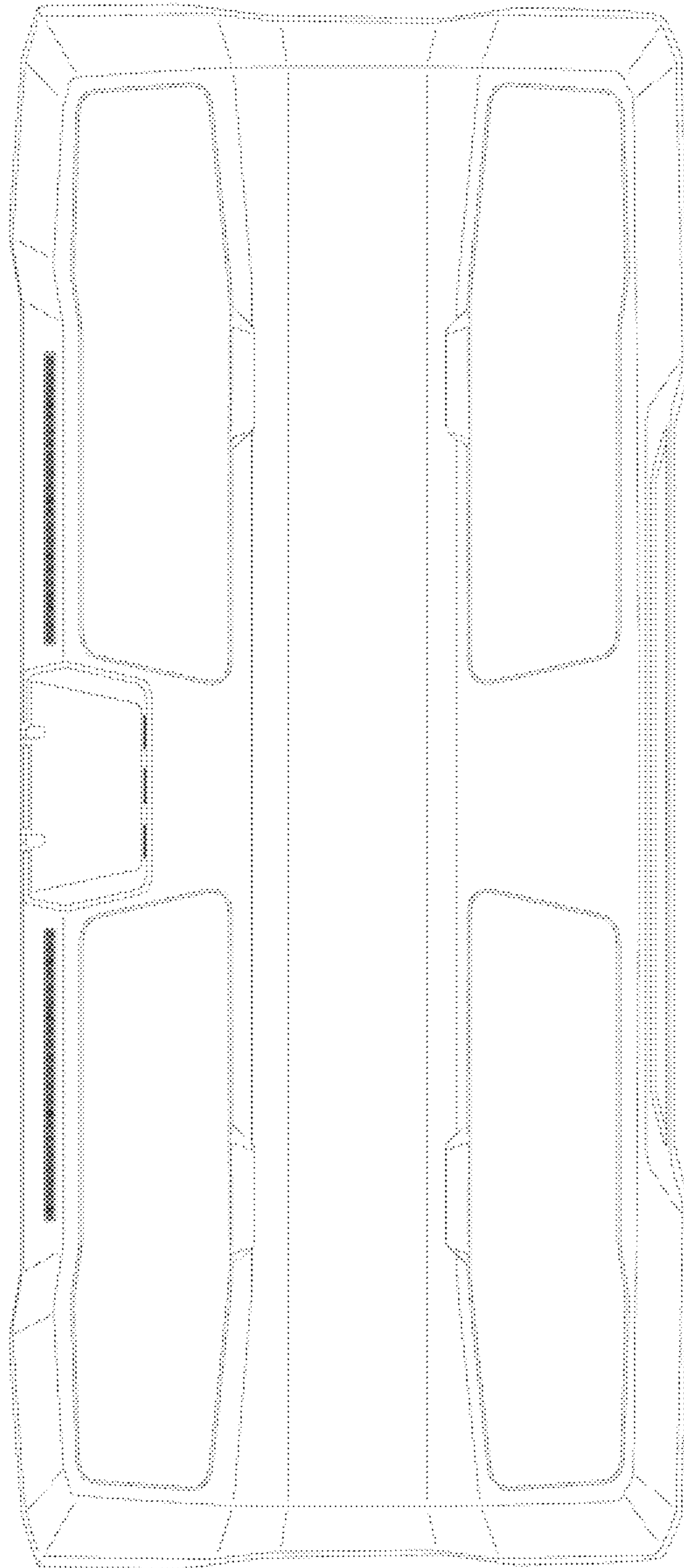


FIG. 4



FIG. 5

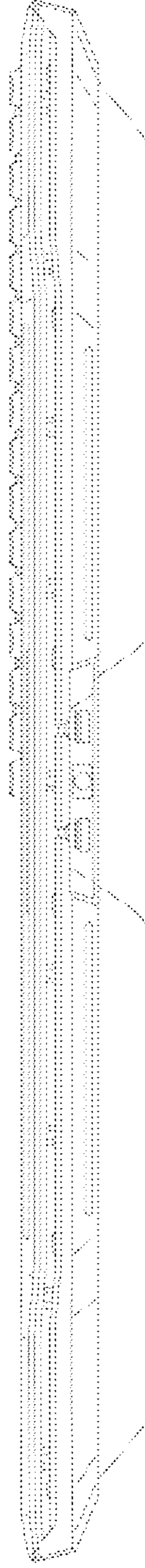


FIG. 6

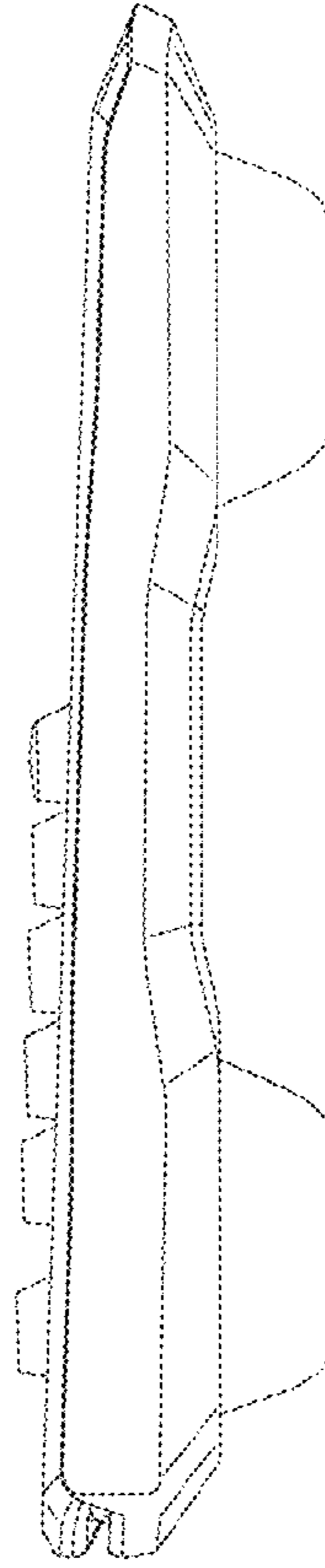


FIG. 7

FIG. 8

