



US00D778277S

(12) **United States Design Patent** (10) **Patent No.:** **US D778,277 S**
Haller et al. (45) **Date of Patent:** **** Feb. 7, 2017**

(54) **ELECTRONIC DEVICE** 7,104,516 B2 * 9/2006 Uto F16M 11/10
248/456
(71) Applicant: **Elo Touch Solutions, Inc.**, Milpitas, 7,708,243 B2 * 5/2010 Wang F16M 11/04
CA (US) 248/149
(72) Inventors: **Jeffrey Haller**, Redwood City, CA 8,089,760 B2 * 1/2012 Yi-Chang G06F 1/1637
(US); **Lukas Martin Scherrer**, San 248/166
Francisco, CA (US) 8,800,937 B1 * 8/2014 Lee F16M 11/38
248/65
(73) Assignee: **Elo Touch Solutions, Inc.**, Milpitas, D725,182 S 3/2015 Haller et al.
CA (US) (Continued)

(**) Term: **15 Years**

(21) Appl. No.: **29/546,193**

(22) Filed: **Nov. 19, 2015**

Related U.S. Application Data

(63) Continuation of application No. 29/496,746, filed on Jul. 16, 2014, now Pat. No. Des. 744,479.

(51) **LOC (10) Cl.** **14-02**

(52) **U.S. Cl.**
USPC **D14/336; D14/451**

(58) **Field of Classification Search**
USPC D14/371-375, 125-129, 336, 337, 341,
D14/432, 447, 448, 451; 341/12; 345/104,
345/156, 168, 173; 348/180, 184, 325,
348/739; 349/1, 2, 11, 62;
361/679.05-679.07, 679.21; D6/300, 308;
D20/10
CPC G06F 1/16; G06F 1/1601; G06F 3/037;
G06F 1/162; G06F 1/1613; G06F 1/1637;
F16M 11/02; F16M 11/10; F16M 11/00;
F16M 11/06; F16M 11/04; F16M 11/38;
G02F 1/133308

See application file for complete search history.

(56) **References Cited**

U.S. PATENT DOCUMENTS

6,971,622 B2 * 12/2005 Ziegler F16M 11/10
248/454
7,011,285 B2 * 3/2006 Wang F16M 11/10
248/673

OTHER PUBLICATIONS

Casio V-R100 Android Terminal [Retrieved from the Internet:
<URL: http://www.cev.ie>. (dated Apr. 16, 2013) 6 pages.

(Continued)

Primary Examiner — Freda S Nunn

(74) *Attorney, Agent, or Firm* — Sterne, Kessler,
Goldstein & Fox P.L.L.C.

(57) **CLAIM**

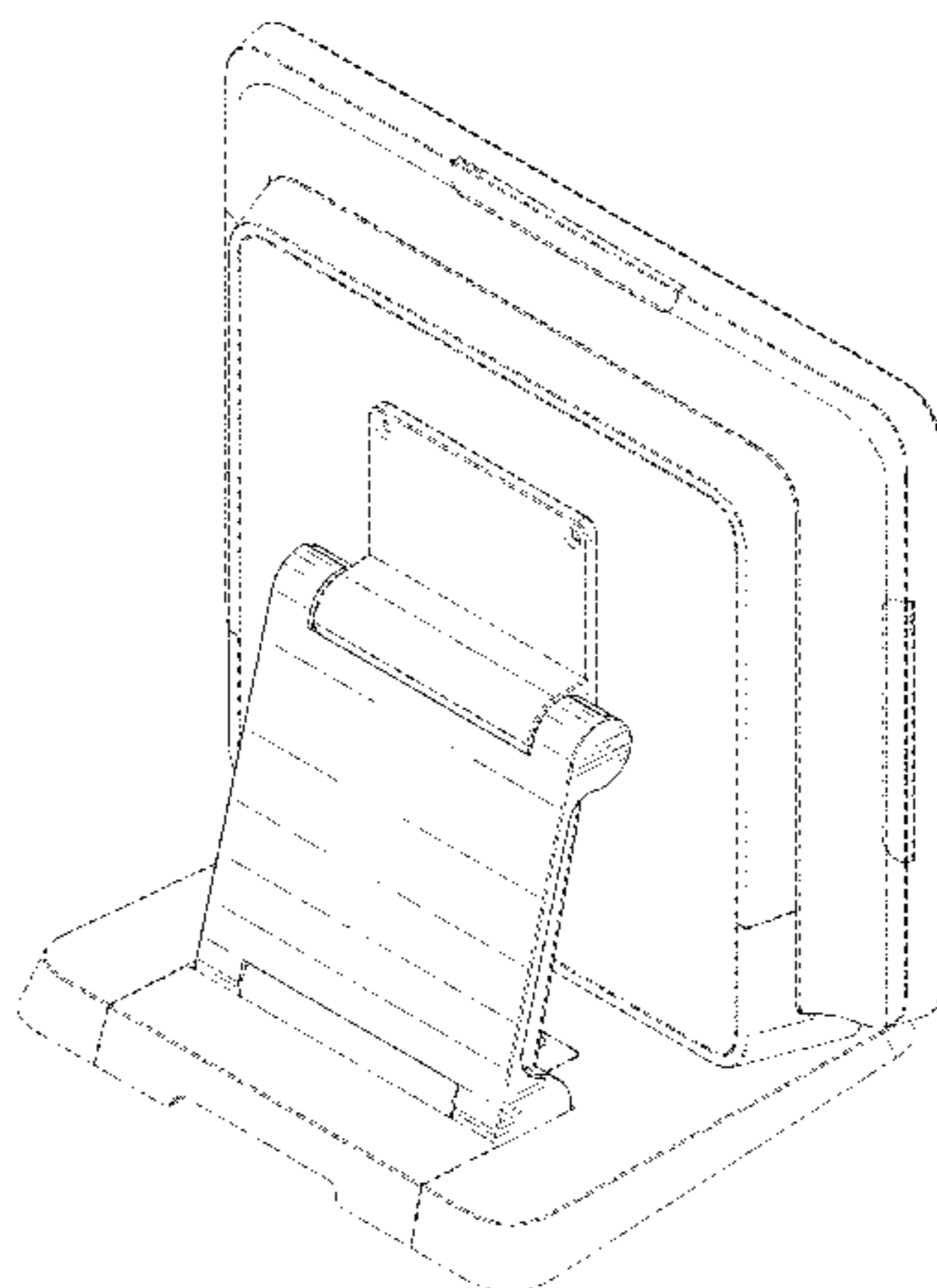
The ornamental design for an electronic device, as shown and described.

DESCRIPTION

FIG. 1 is a top front perspective view of an electronic device showing our new design;
FIG. 2 is a bottom front perspective view thereof;
FIG. 3 is a top rear perspective view thereof;
FIG. 4 is a front view thereof;
FIG. 5 is a rear view thereof;
FIG. 6 is a right side view thereof;
FIG. 7 is a left side view thereof;
FIG. 8 is a top view thereof; and,
FIG. 9 is a bottom view thereof.

The broken lines in the Figures show portions of the electronic device that form no part of the claimed design.

1 Claim, 9 Drawing Sheets



(56)

References Cited

U.S. PATENT DOCUMENTS

D744,479 S * 12/2015 Haller D14/336
2015/0199667 A1 7/2015 Fernando et al.

OTHER PUBLICATIONS

CashRegisterStore.com :: Cash Registers :: Casio :: Casio V-R100 :: Casio V-R100 Touch Screen Tablet [online] [retrieved Jul. 1, 2013]. Retrieved from the Internet: <URL: www.cashregisterstore.com/xcart/product.php?productid=4675&cat=2799&page=1>. (undated) 3 pages.

Casio VR 100 Till EPOS Systems, Android App Suppliers, Software Company [online] [retrieved Jul. 1, 2013]. Retrieved from the Internet: <URL: www.casiovr100.co.uk>. (dated 2012) 4 pages.

POS Software and Hardware, Retail and Restaurant POS Systems, Security cameras, DVR, Recorders, Portable Inventory | International Point of Sale [online] [retrieved Jul. 1, 2013]. Retrieved from the Internet: <URL: www.internationalpointofsale.com/completepos.html>. (dated 2009) 4 pages.

Wholesale All in one touch POS machine touch screen terminal cash register wireless meals ordering set, \$397.1-418.0/Set | DHgate [online] [retrieved Jul. 1, 2013]. Retrieved from the Internet: <URL: www.dhgate.com/product/all-in-one-touch-pos-machine-touch-screen/135165997.html>. (undated) 1 page.

Aliexpress.com:Buy 15" all in one touch screen cash register from Reliable touch screen cash register supplies on Professional touch screen POS system . . . [online] [retrieved Jul. 1, 2013]. Retrieved from the Internet: <URL: www.aliexpress.com/store/product/15-all-in-one-touch-screen-cash-register/803507_522289154.html>. (dated 1999-2013) 12 pages.

Posiflex XP3315 Series Electronic Cash Register (ECR) [online] [retrieved Jul. 1, 2013]. Retrieved from the Internet: <URL: www.posiflexusa.com/xp3315.php>. (dated 2013) 1 page.

AppleInsider, "Groupon eyes massive rollout of new 'Gnome' iPad-based POS system", http://appleinsider.com/articles/14/05/19/groupon-eyes-massive-rollout-of-new-gnome-ipad-based-pos-system?utm_source=dlvr.it&utm_medium=facebook, accessed on May 19, 2014, 10 pages.

* cited by examiner

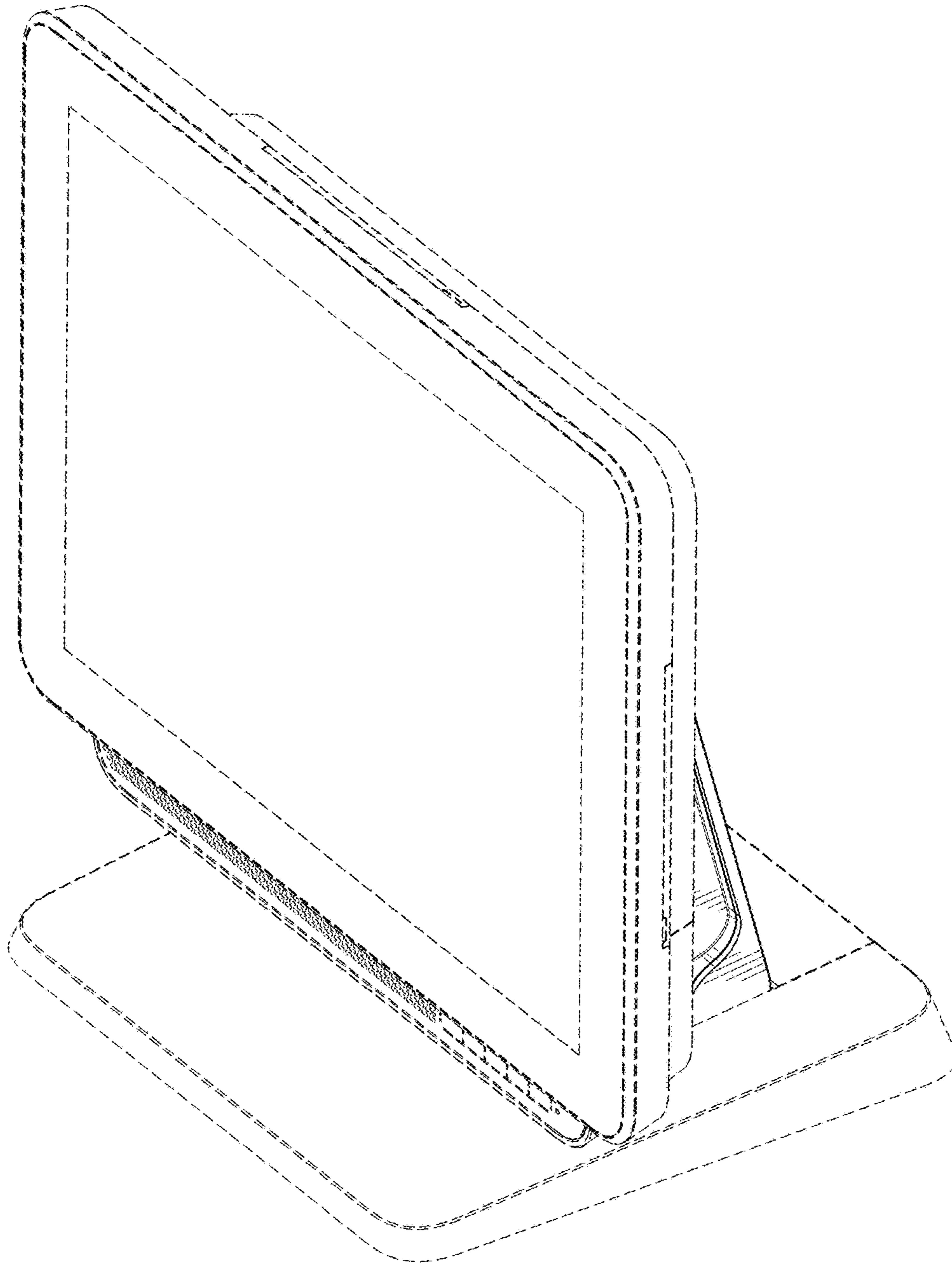


FIG. 1

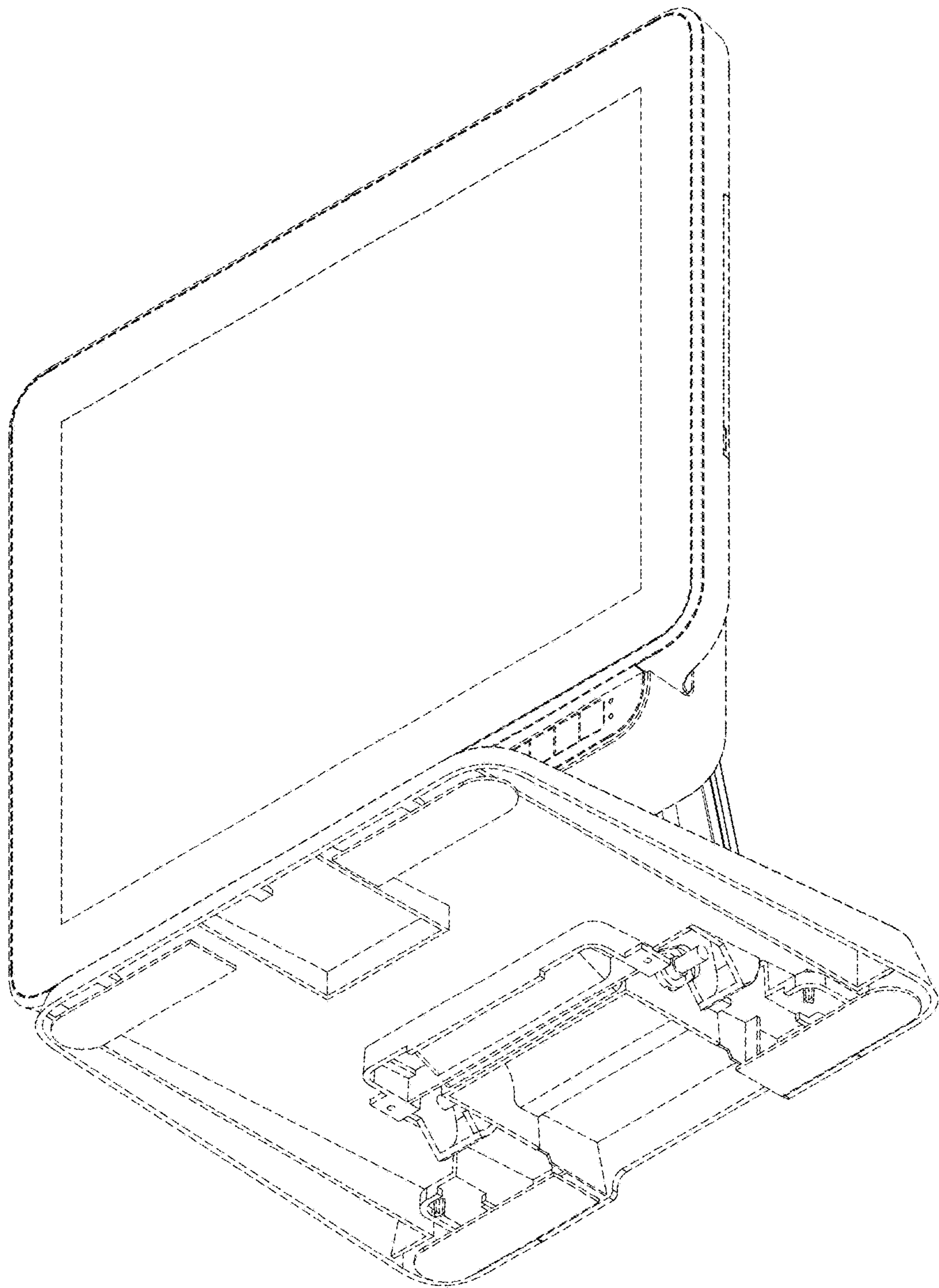


FIG. 2

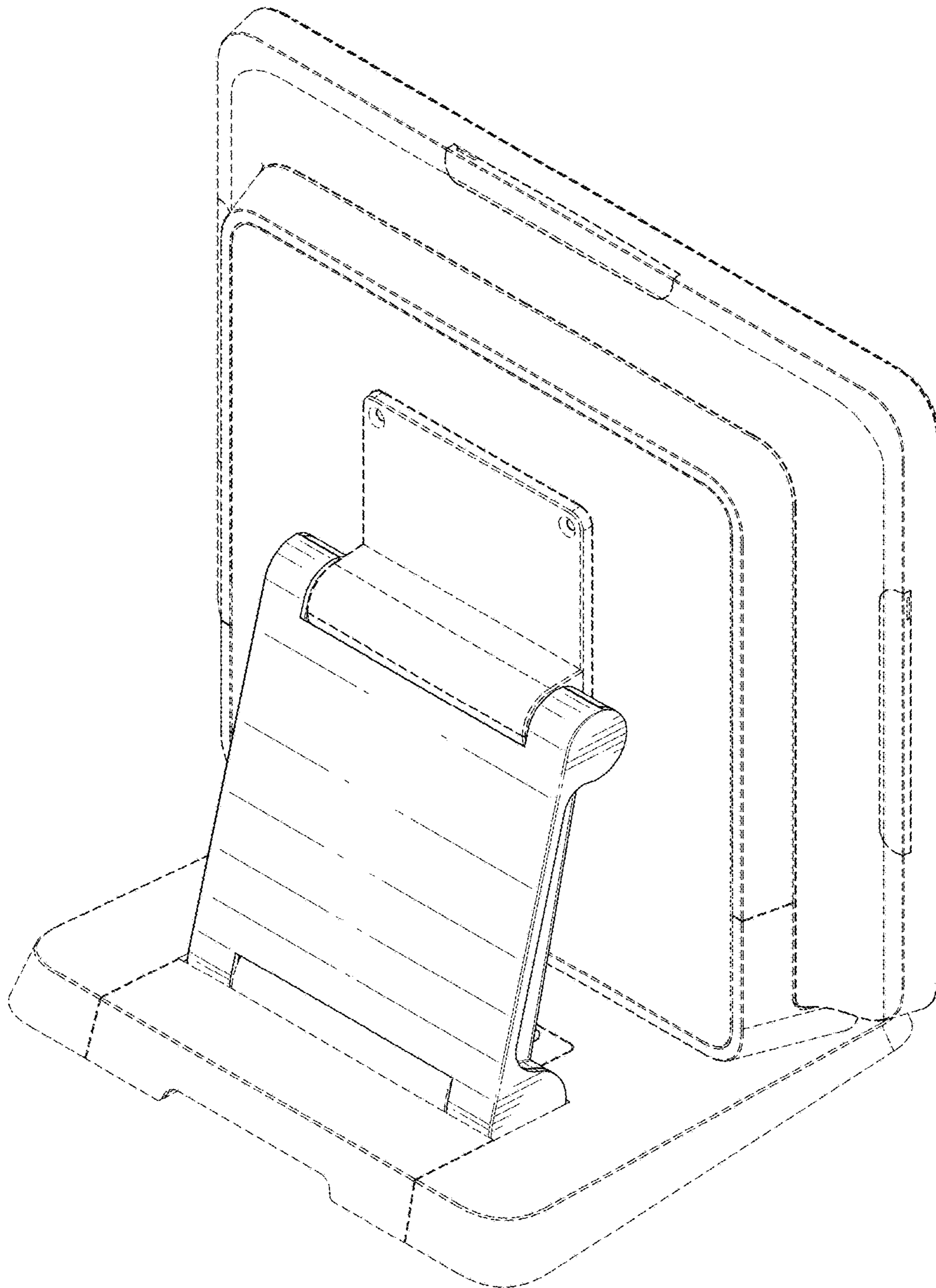


FIG. 3

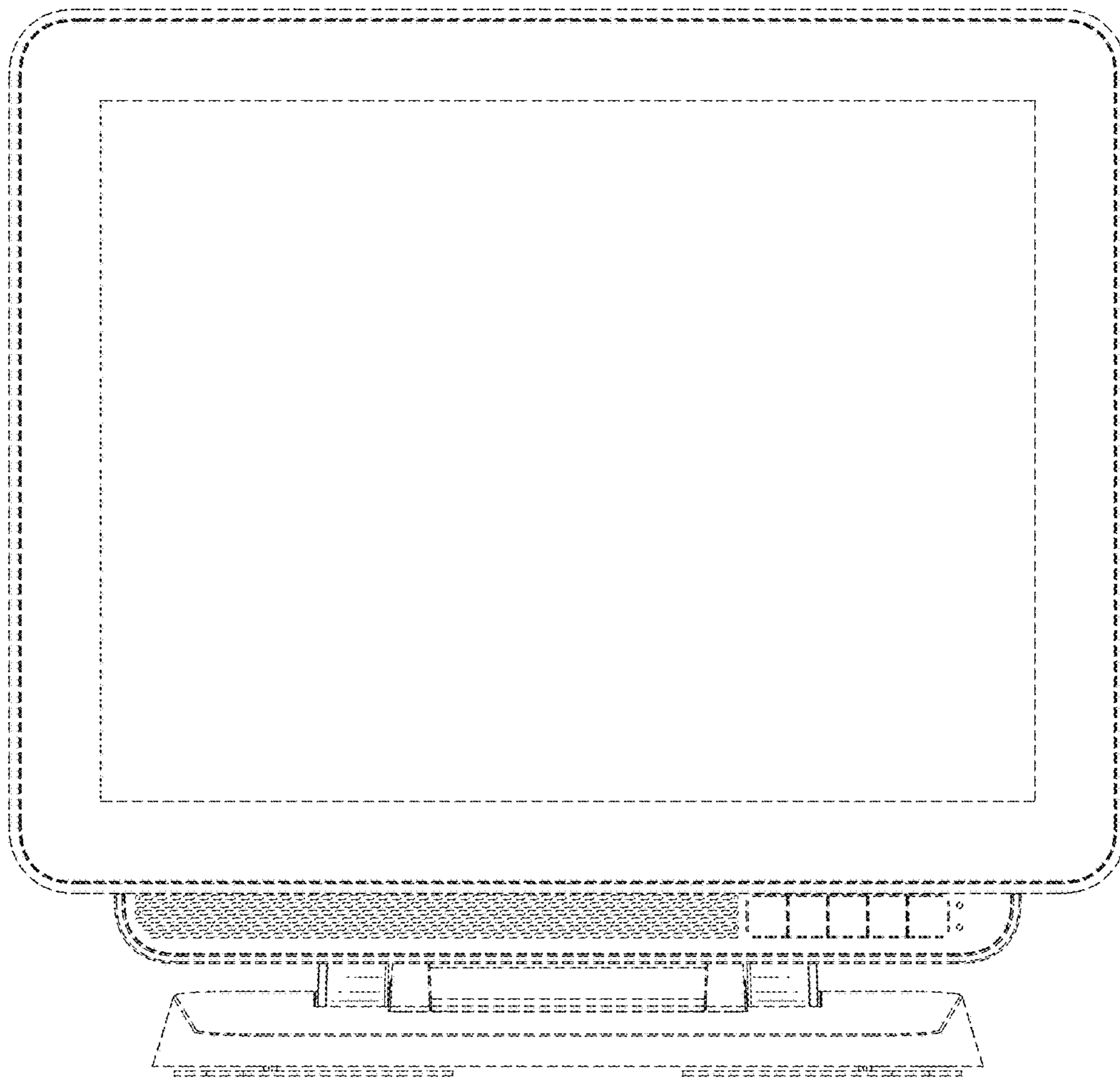


FIG. 4

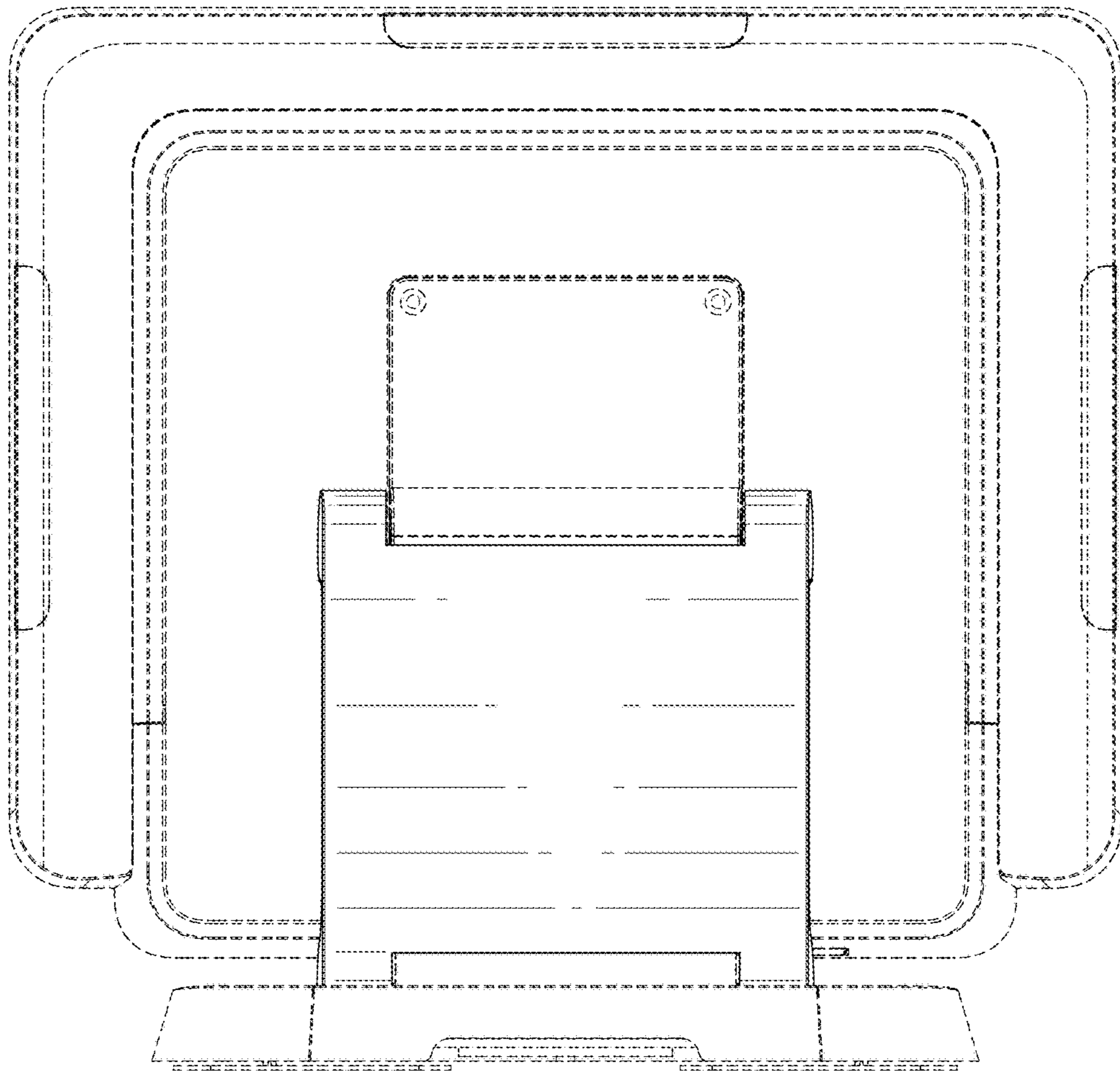


FIG. 5

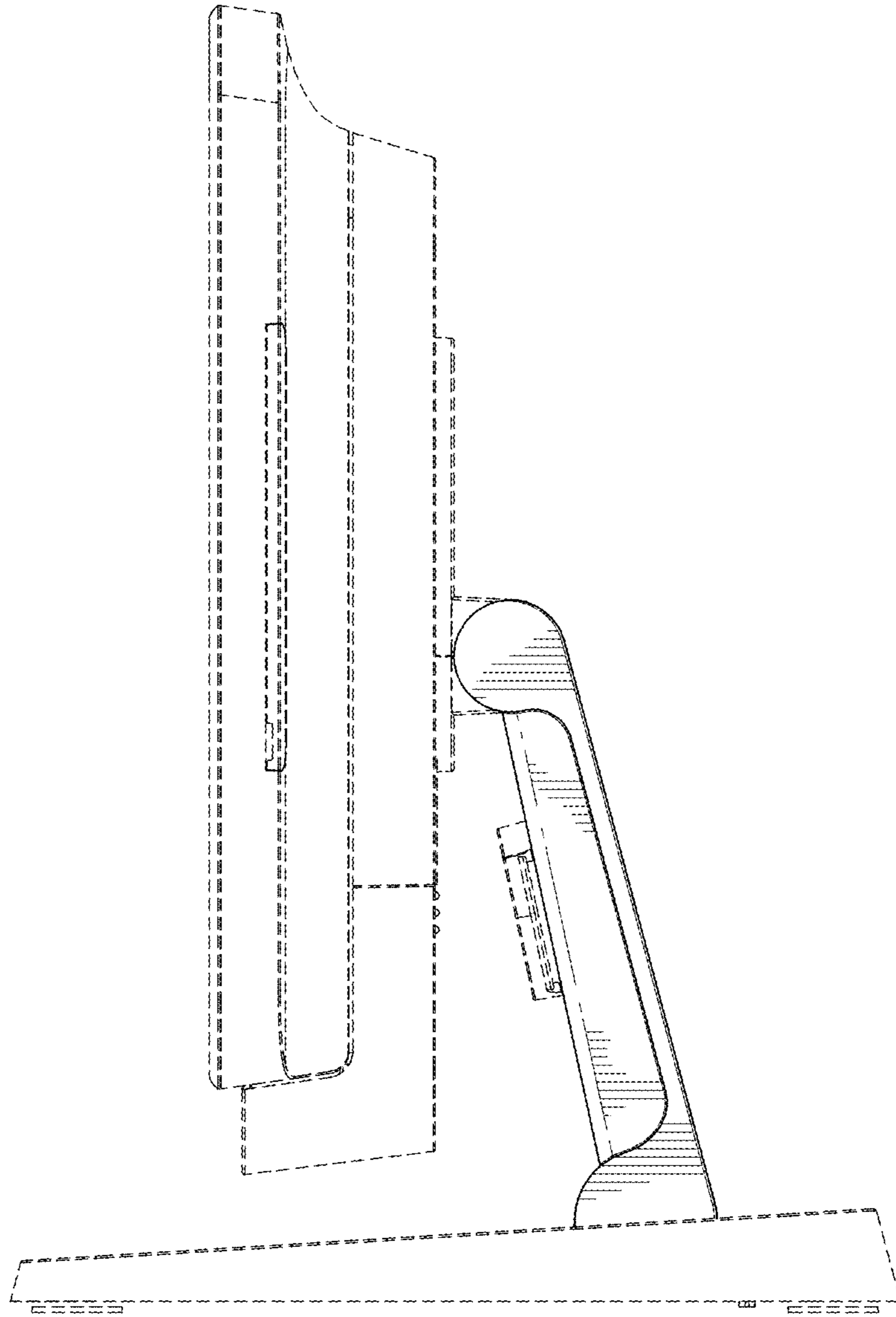


FIG. 6

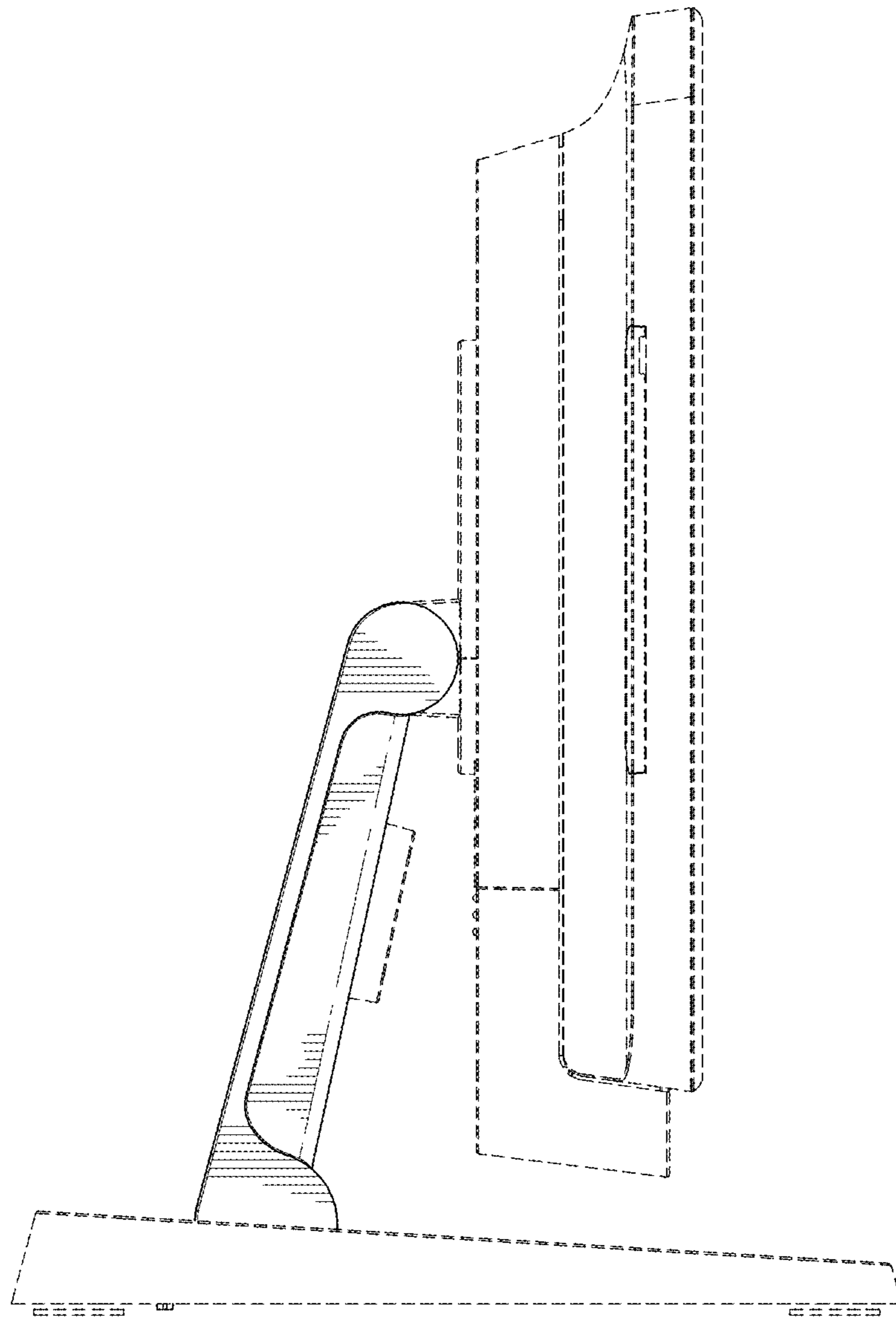


FIG. 7

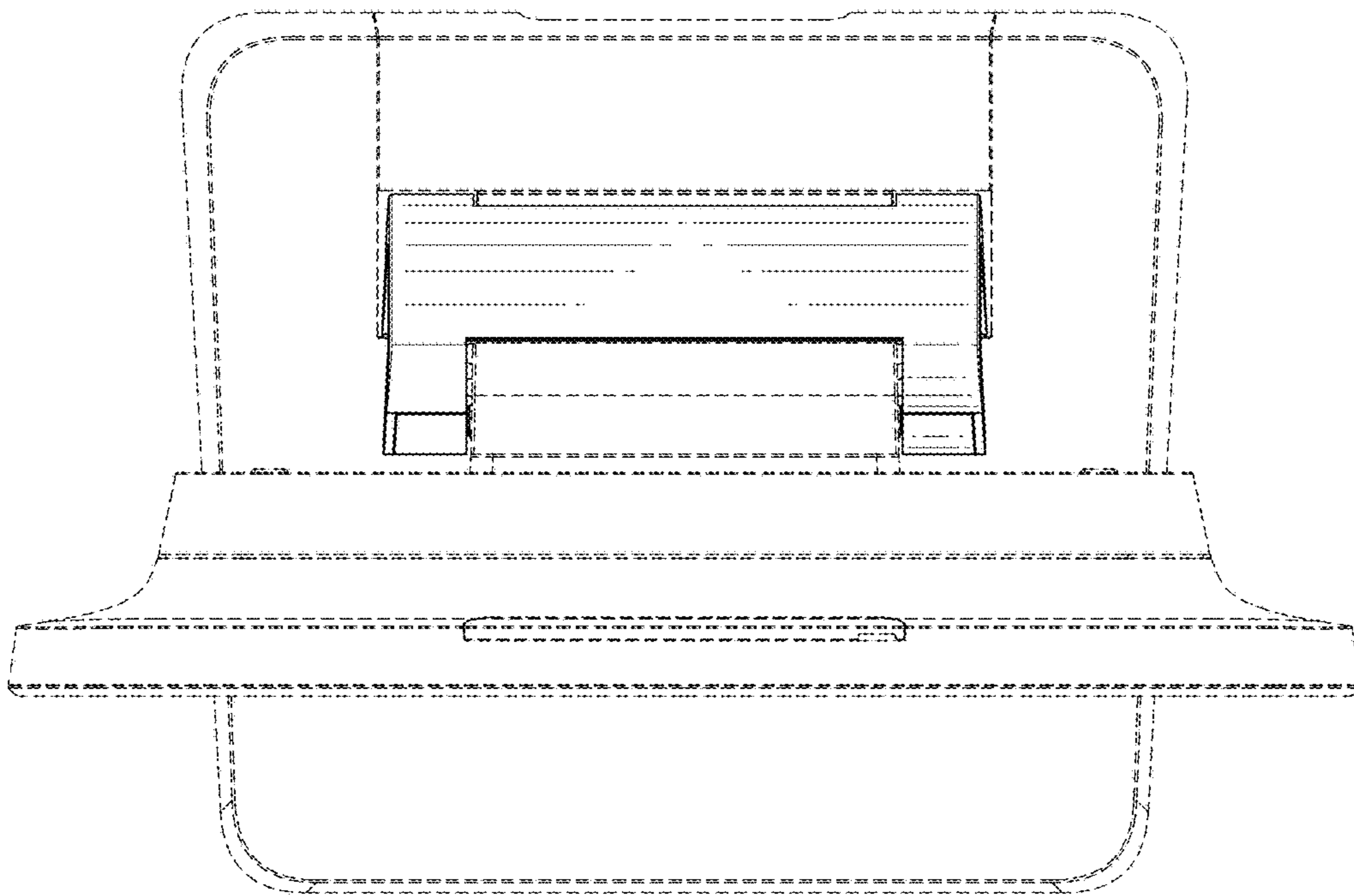


FIG. 8

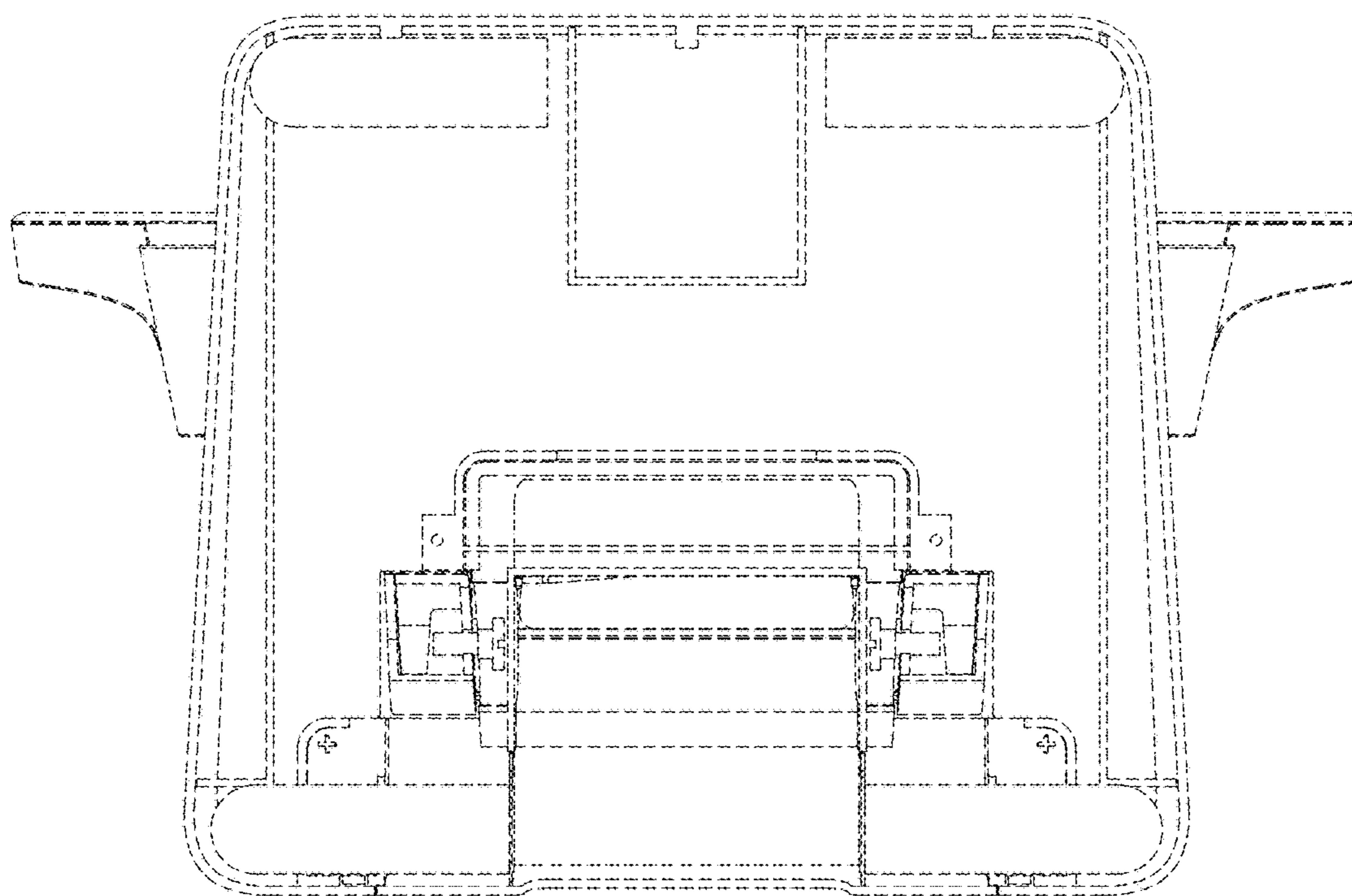


FIG. 9