



US00D778276S

(12) **United States Design Patent**
Berini

(10) **Patent No.:** **US D778,276 S**
(45) **Date of Patent:** **** Feb. 7, 2017**

(54) **KIOSK**
(71) Applicant: **NextGenID, Inc.**, San Antonio, TX
(US)

6,012,049 A 1/2000 Kawan 705/41
6,694,433 B1 2/2004 Kolouch 713/176
7,079,653 B2 7/2006 Scheidt et al. 380/258
(Continued)

(72) Inventor: **Dario John Berini**, Ashburn, VA (US)
(73) Assignee: **NextgenID, Inc.**, San Antonio, TX (US)
(**) Term: **15 Years**

FOREIGN PATENT DOCUMENTS

EP 1744264 1/2007
JP 2007132678 5/2007
(Continued)

(21) Appl. No.: **29/566,270**

OTHER PUBLICATIONS

(22) Filed: **May 27, 2016**

“CBES Multimodal Biometric Enrollment Station.” 3M Cogent, Inc. [online], [retrieved on Dec. 11, 2012]. Retrieved from the Internet: <URL: http://www.cogentsystems.com/downloads/CBES_sm.pdf>.

Related U.S. Application Data

(60) Division of application No. 29/541,378, filed on Oct. 2, 2015, now Pat. No. Des. 760,711, which is a division of application No. 29/487,791, filed on Apr. 11, 2014, now Pat. No. Des. 742,870, which is a continuation of application No. 13/475,625, filed on May 18, 2012, now Pat. No. 9,256,719.

(Continued)

Primary Examiner — Austin Murphy
(74) *Attorney, Agent, or Firm* — Nixon Peabody LLP

(51) **LOC (10) Cl.** **14-02**

(57) **CLAIM**

(52) **U.S. Cl.**
USPC **D14/307**

The ornamental design for kiosk, as shown and described.

(58) **Field of Classification Search**

DESCRIPTION

USPC . D14/302–307, 900–902; D13/163; D20/10;
D21/332, 325, 369, 370; D99/28; D6/397,
D6/466; 194/206; 361/679.01, 679.02,
361/679.04, 679.21, 679.57, 725
CPC G06Q 20/18; G06Q 20/10; G06Q 20/123;
G06Q 20/20; G06Q 30/02; G06Q 30/06;
A47F 9/047

FIG. 1 is a perspective view of a fourth embodiment of a kiosk showing our new design.

FIG. 2 is a front elevation view of the kiosk of FIG. 1.

FIG. 3 is a back elevation view of the kiosk of FIG. 1.

FIG. 4 is a first side elevation view of the kiosk of FIG. 1.

FIG. 5 is a second side elevation view of the kiosk of FIG. 1.

FIG. 6 is a top plan view of the kiosk of FIG. 1; and,

FIG. 7 is a bottom plan view of the kiosk of FIG. 1.

The portions of the drawings shown in broken lines represent environmental structure and form no part of the claimed design.

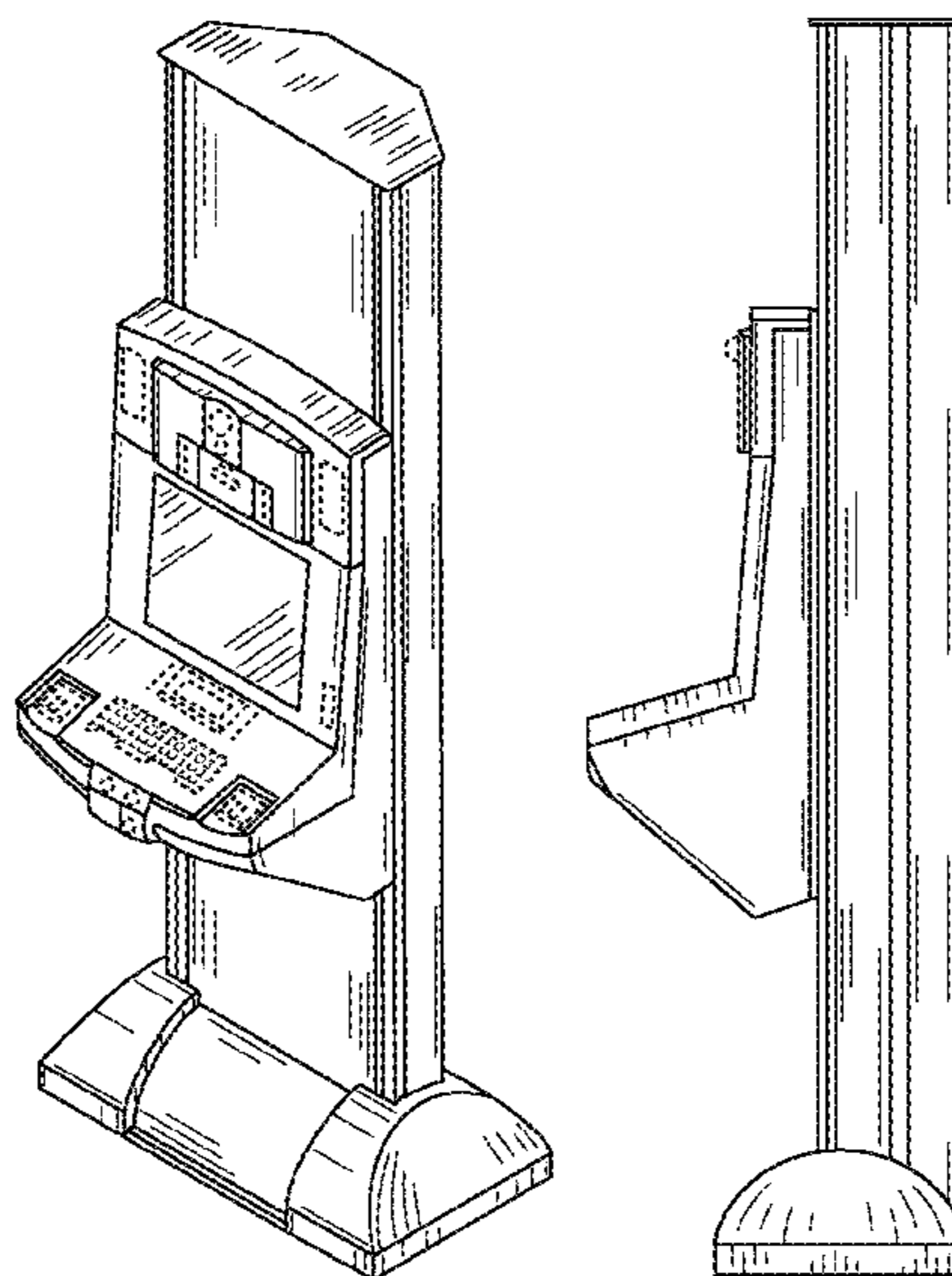
See application file for complete search history.

(56) **References Cited**

U.S. PATENT DOCUMENTS

4,614,378 A 9/1986 Picou 297/92
5,375,168 A 12/1994 Kudelski 380/14

1 Claim, 4 Drawing Sheets



(56)

References Cited

U.S. PATENT DOCUMENTS

7,095,852 B2 8/2006 Wack et al. 380/44
 7,212,632 B2 5/2007 Scheidt et 380/44
 7,278,026 B2 10/2007 McGowan 713/186
 D573,986 S 7/2008 Sasaki D14/307
 D590,387 S 4/2009 Chen D14/307
 D591,078 S 4/2009 Singler D6/432
 D605,189 S 12/2009 Kuroda D14/307
 D605,191 S 12/2009 Kuroda D14/307
 D617,575 S 6/2010 Dreyer D6/396
 7,738,660 B2 6/2010 Scheidt et al. 380/258
 7,817,800 B2 10/2010 Wack et al. 380/44
 D628,742 S 12/2010 Hsu D28/9
 7,974,410 B2 7/2011 Scheidt et al. 380/47
 8,077,870 B2 12/2011 Wack et al. 380/44
 8,233,785 B1 7/2012 Surma 396/1
 D671,595 S 11/2012 O'Hara D19/52
 D695,285 S 12/2013 Smith D14/307
 D695,733 S 12/2013 Damhuis D14/307
 D702,675 S 4/2014 Jones D14/307
 D707,012 S 6/2014 Swaine D99/28
 D707,674 S 6/2014 Daniel D14/307
 D708,676 S 7/2014 Ballman D21/369
 D717,784 S 11/2014 Collins D14/307
 D721,695 S 1/2015 Birgeoglu D14/307
 D721,696 S 1/2015 Birgeoglu D14/307
 D723,025 S 2/2015 Birgeoglu D14/307
 D723,538 S 3/2015 Catoe et al. D14/307
 D726,706 S 4/2015 Kraft et al. D14/307
 D732,520 S 6/2015 Themann D14/307
 D732,522 S * 6/2015 Chadbourne D14/307
 D742,870 S 11/2015 Berini D14/307
 D743,956 S 11/2015 Kraft D14/307
 D751,061 S * 3/2016 Berini D14/307
 D752,032 S * 3/2016 Taylor D14/307
 D760,711 S * 7/2016 Berini D14/307
 D762,635 S * 8/2016 Szeredi D14/307
 2001/0037301 A1 11/2001 Shepley 705/43
 2001/0054148 A1 12/2001 Hoornaert 713/172
 2002/0019941 A1 2/2002 Chan 713/185
 2002/0026413 A1 2/2002 Wu 705/39
 2002/0046086 A1 4/2002 Pletz 705/14
 2002/0105665 A1 8/2002 Wasilewski 358/113
 2002/0154344 A1 10/2002 Beeman 358/475
 2003/0001010 A1 1/2003 Schmidt 235/385
 2004/0182921 A1 9/2004 Dickson 235/380
 2005/0174613 A1 8/2005 Tan 358/486
 2005/0229007 A1 10/2005 Bolle et al. 713/186
 2006/0073883 A1 4/2006 Franks 463/25
 2006/0213970 A1 9/2006 Trajkovic 235/380
 2007/0143341 A1 6/2007 Brownell
 2008/0296374 A1 12/2008 Gonen 235/385
 2009/0034803 A1 2/2009 Matos 382/116

2009/0130905 A1 5/2009 Wang 439/625
 2009/0192938 A1 7/2009 Amos 705/43
 2009/0235086 A1 9/2009 Lai 713/186
 2009/0289104 A1 11/2009 Yoneda 235/375
 2010/0290668 A1 11/2010 Friedman et al. 382/103
 2010/0329301 A1 12/2010 Pang 374/121
 2011/0025074 A1 2/2011 Reznar 292/33
 2011/0178930 A1 7/2011 Scheidt et al. 5/50
 2011/0192681 A1 8/2011 Johnson 186/52
 2012/0087643 A1 4/2012 Paramadilok 396/2
 2012/0293642 A1 11/2012 Berini 348/77
 2013/0215275 A1 8/2013 Berini 348/150
 2013/0226632 A1 8/2013 Gilbert 705/5

FOREIGN PATENT DOCUMENTS

JP 2009175745 8/2009
 WO WO 99/30267 6/1999

OTHER PUBLICATIONS

“Law Enforcement Product Overview.” 3M Cogent, Inc. [online], [retrieved on Dec. 11, 2012]. Retrieved from the Internet: <URL: http://www.cogentsystems.com/downloads/LE_Overview.pdf>.
 “VB E-PASS® Kiosk” Vision-Box [online], [retrieved on Dec. 11, 2012]. Retrieved from the Internet: <URL: <http://www.vision-box.com/solutions/vbepass/>>.
 “VB E-Pass® Desktop” Vision-Box [online], [retrieved on Dec. 11, 2012]. Retrieved from the Internet: <URL: <http://www.vision-box.com/solutions/vbepassdesktop/>>.
 “VB E-Pass® Portable” Vision-Box [online], [retrieved on Dec. 11, 2012]. Retrieved from the Internet: <URL: <http://www.vision-box.com/solutions/mobile-vbepass/>>.
 “VB E-Pass® Dispenser” Vision-Box [online], [retrieved on Dec. 11, 2012]. Retrieved from the Internet; <URL: <http://www.vision-box.com/solutions/vb-i-dispenser/>>.
 “VB I-Match” Vision-Box [online], [retrieved on Dec. 11, 2012]. Retrieved from the Internet: URL: <http://www.vision-box.com/solutions/vb-i/match/>.
 “VB Sentryspider” Vision-Box [online], [retrieved on Dec. 11, 2012]. Retrieved from the Internet: <URL: <http://www.vision-box.com/solutions/vb-sentryspider/>>.
 International Search Report mailed Nov. 23, 2012 which issued in International Patent Application No. PCT/US2012/038675 (5 pages).
 Written Opinion mailed Nov. 23, 2012 which issued in International Patent Application No. PCT/US2012/038675 (5 pages).
 Michaels, Ross J., Kevin C. Mangold, Matthew L. Aronoff, Kayee Kwong, and Karen Marshall, Specification for WS-Biometric Devices (WS-BD). Mar. 14, 2012. 1-123.

* cited by examiner

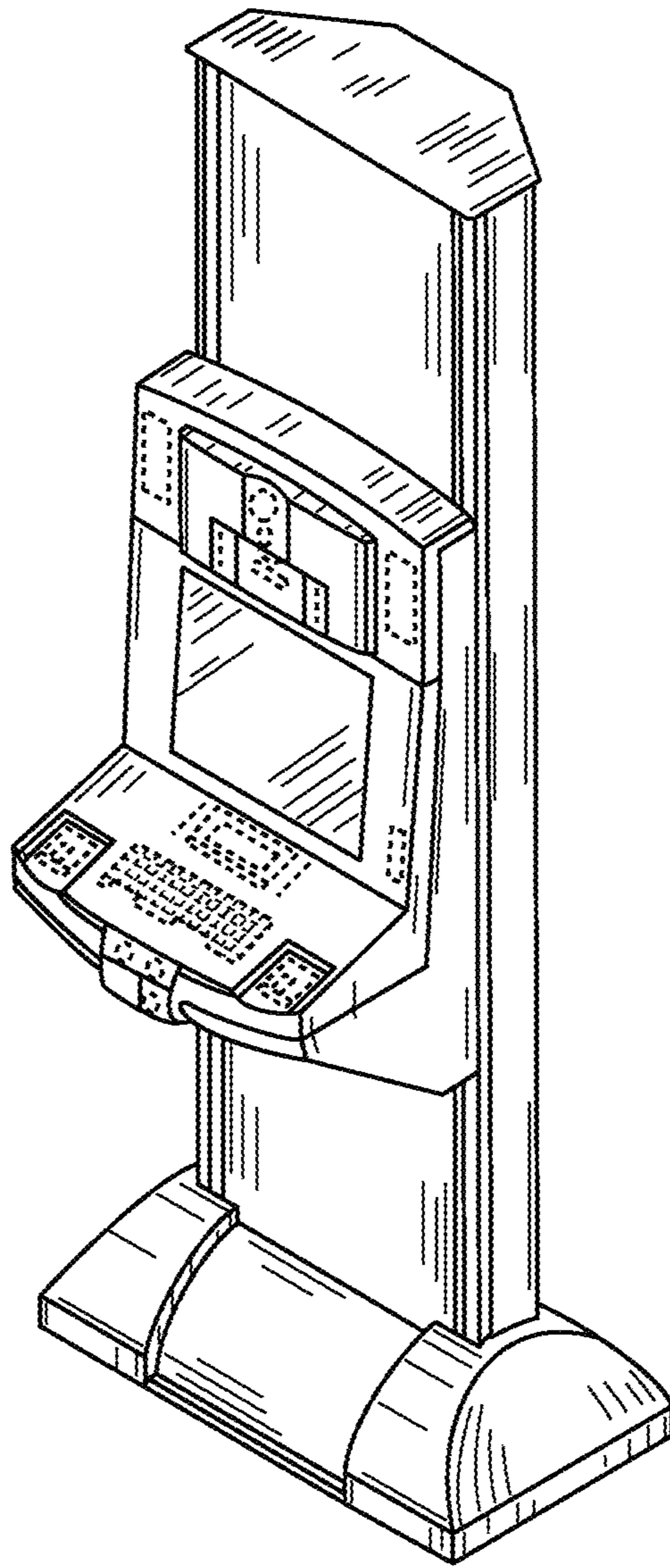


FIG. 1

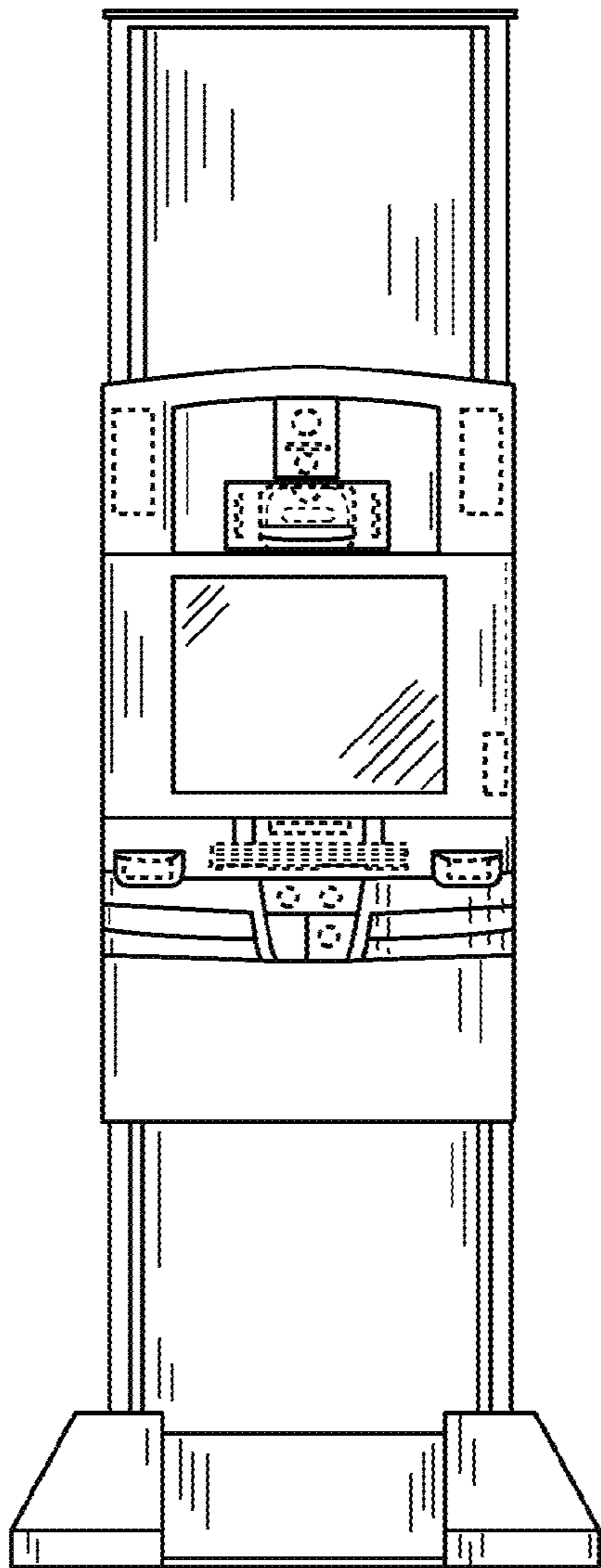


FIG. 2

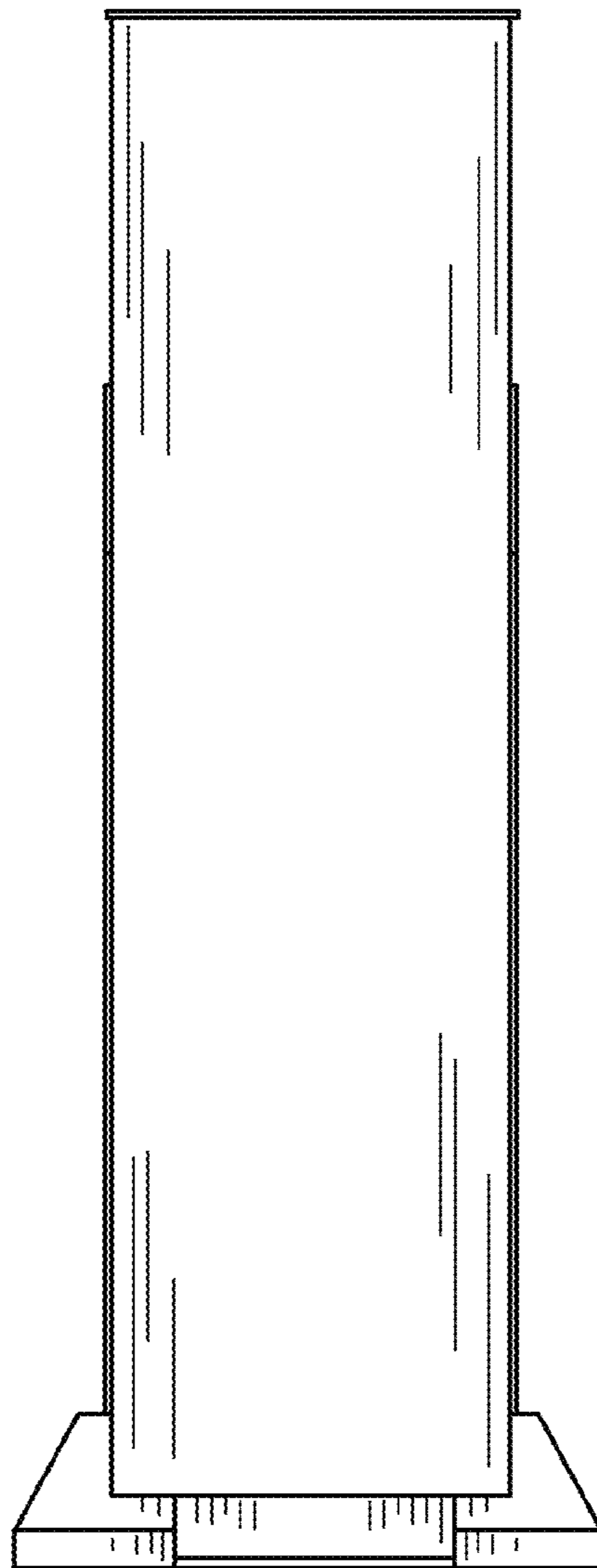


FIG. 3

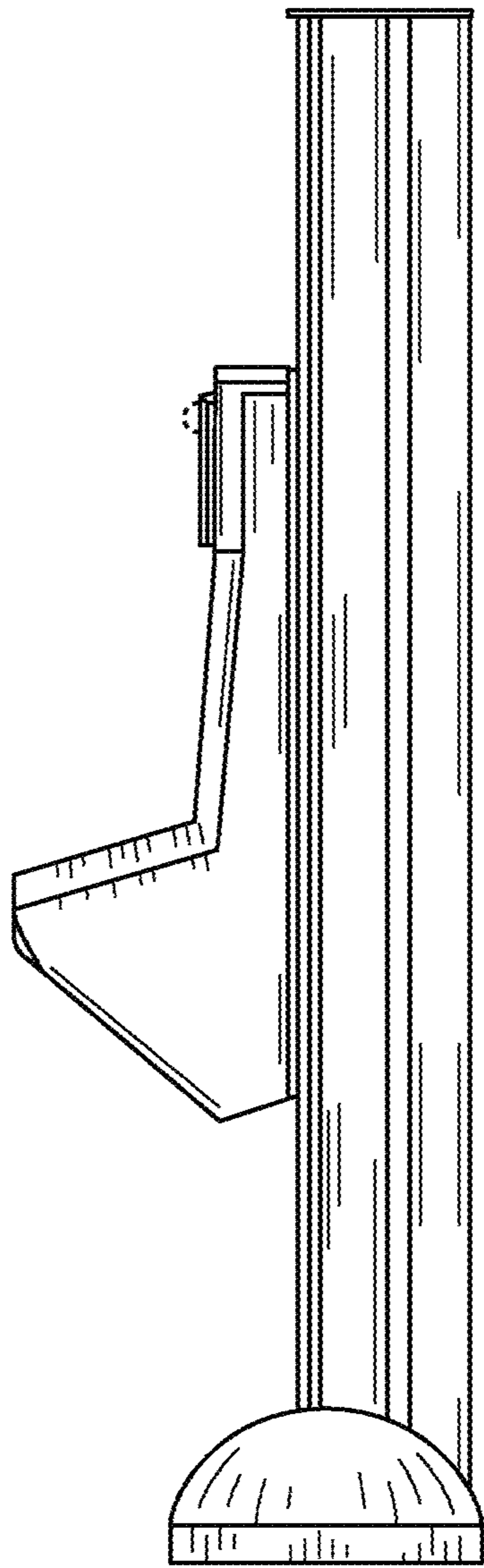


FIG. 4

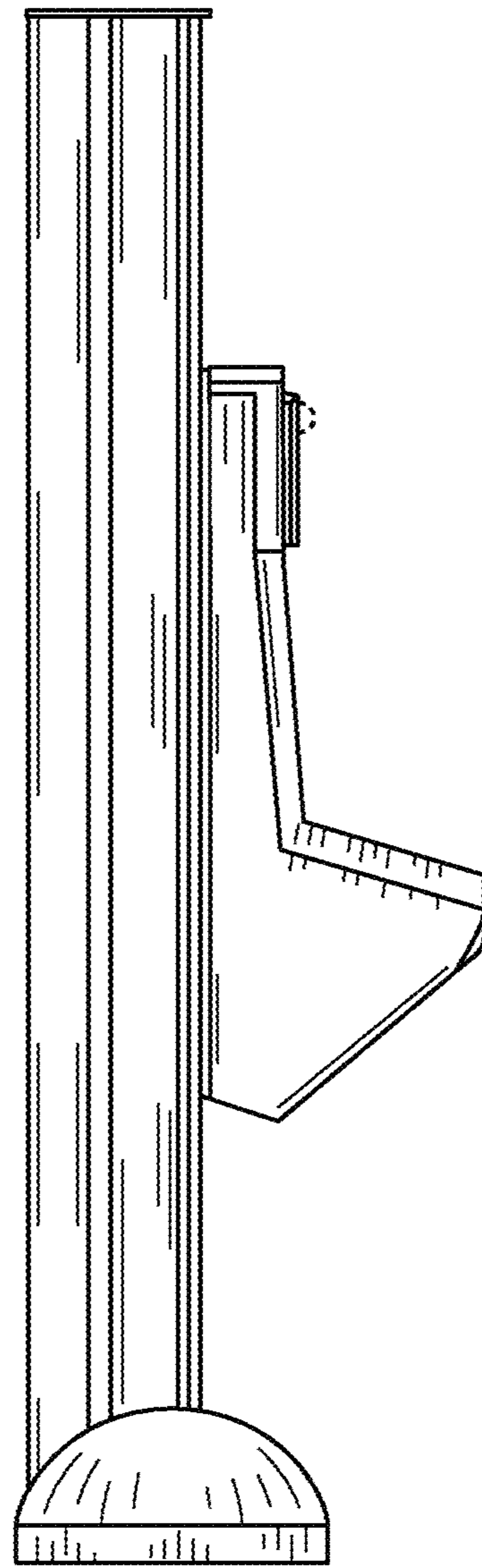


FIG. 5

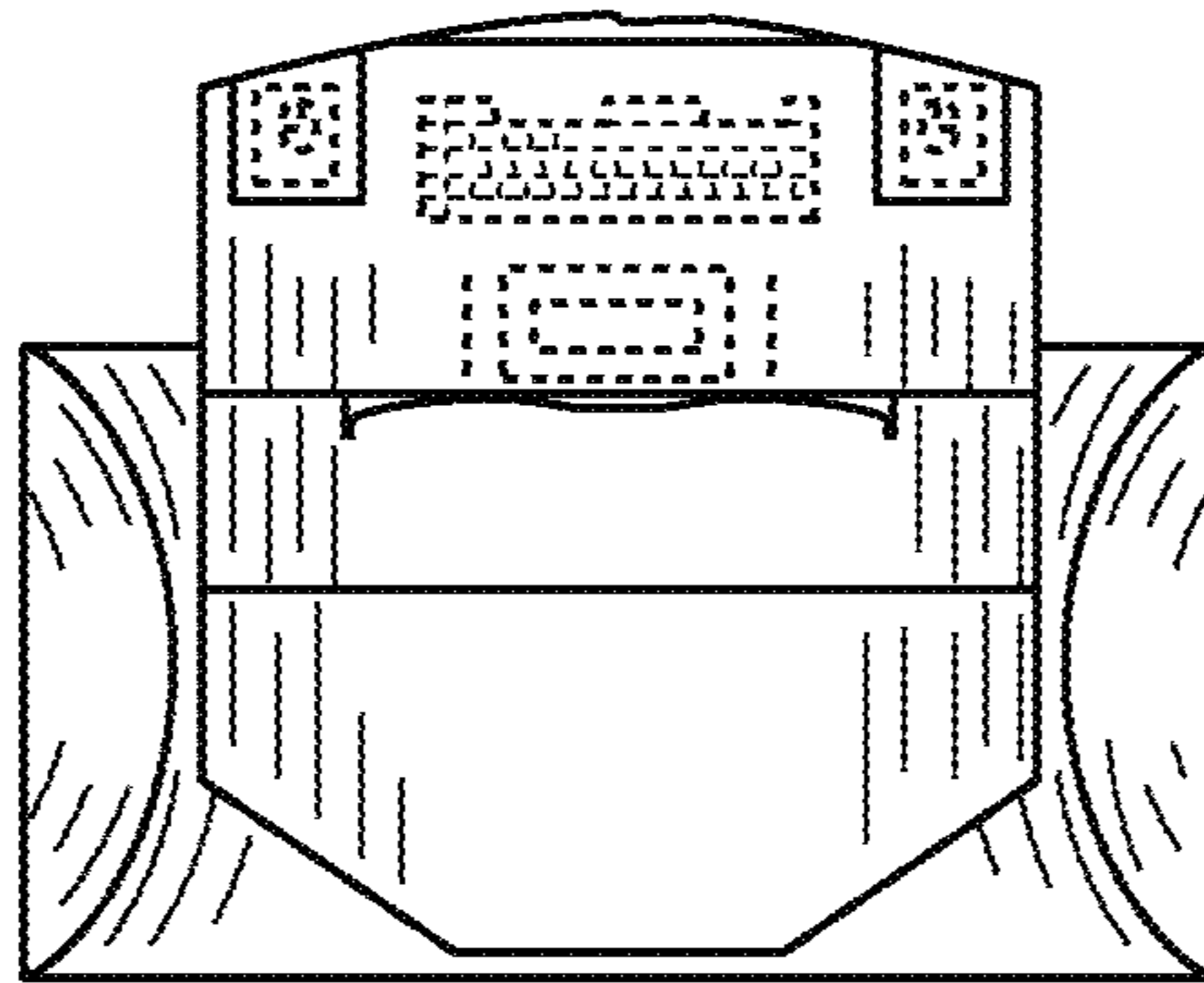


FIG. 6

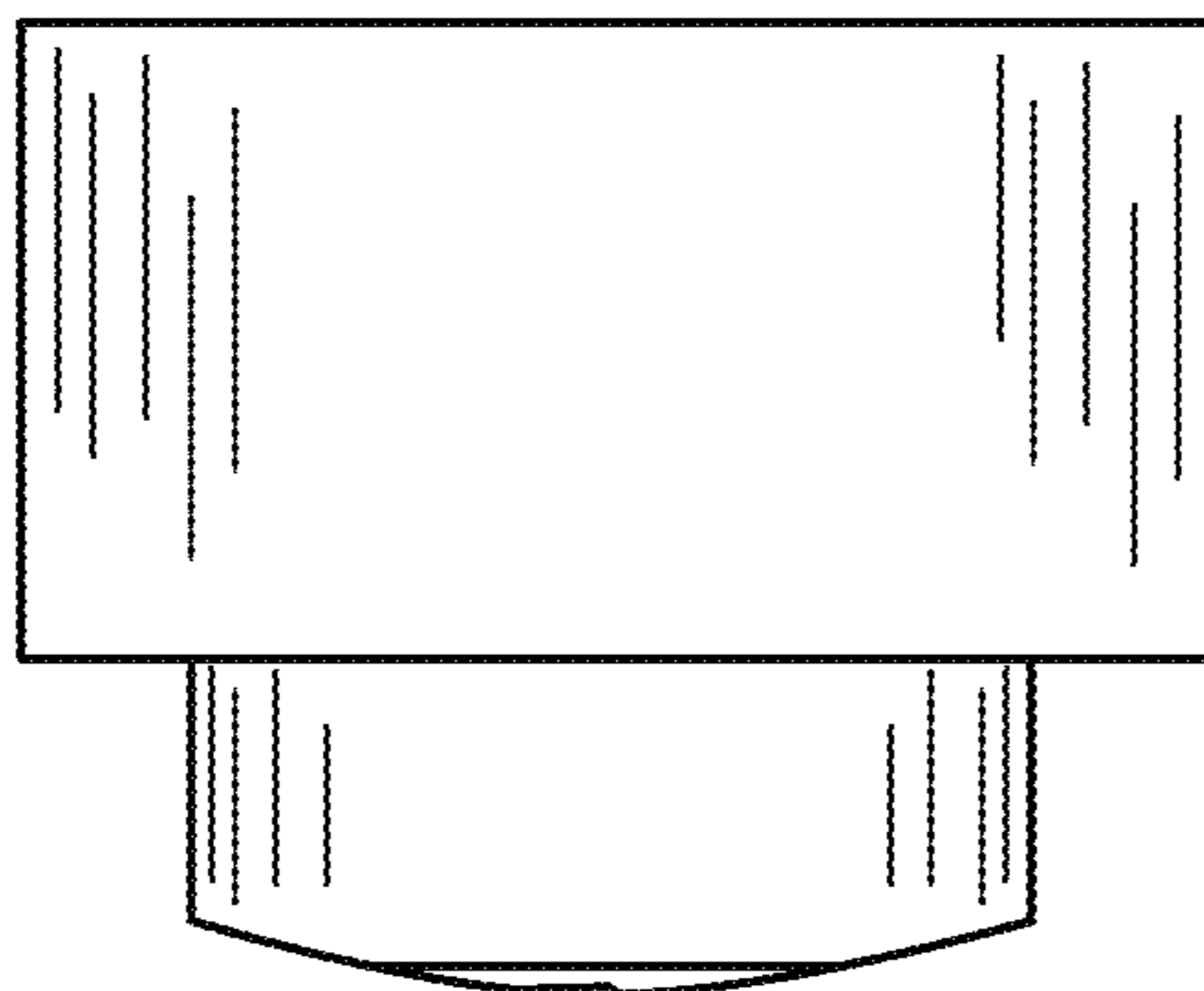


FIG. 7