



US00D778275S

(12) **United States Design Patent** (10) **Patent No.:** **US D778,275 S**
Gabriel et al. (45) **Date of Patent:** **** Feb. 7, 2017**

(54) **MOBILE PHONE CASE WITH CRANK**

OTHER PUBLICATIONS

(71) Applicants: **Mark Gabriel**, Baton Rouge, LA (US);
Erik Durr, Dana Point, CA (US)

<https://9to5toys.files.wordpress.com/2015/03/iphone-6-crank-case.jpg>

(72) Inventors: **Mark Gabriel**, Baton Rouge, LA (US);
Erik Durr, Dana Point, CA (US)

Primary Examiner — Freda S Nunn

(**) Term: **15 Years**

(74) *Attorney, Agent, or Firm* — Raj Abhyanker, P.C.

(21) Appl. No.: **29/536,965**

(57) **CLAIM**

(22) Filed: **Aug. 20, 2015**

The ornamental design of a mobile phone case with crank, as shown and described.

(51) **LOC (10) Cl.** **14-03**

(52) **U.S. Cl.**

USPC **D14/250**

(58) **Field of Classification Search**

DESCRIPTION

USPC D14/250, 341–347, 130, 138 C, 138 G,
D14/138 R, 138 AA, 147, 203.1, 203.3,
D14/203.7, 204.4; D3/218

CPC A45C 1/06; A45C 11/00; A45C 2011/002;

A45C 3/02; A45C 13/001; A45F

2200/0525; A45F 2200/0516; A45F 5/02;

G06F 1/165; G06F 1/1613; G06F 1/1624;

G06F 1/1626; G06F 3/0485; G06F

3/0488; G06F 1/1632; G06F

1/1607; G06F 1/1628; G06F 1/1656;

H04B 1/3888; H04B 1/00; H04B 1/3883;

H04B 2001/3861; H04M 1/0202; H04M

1/0283; H04M 1/185; H04M 1/00; H04M

1/0214; H04M 1/035; H04M 1/04; H01M

10/46; H01M 2/1022; H05K

5/0217; H05K 5/03; H05K 7/00; H05K

5/0086; B29C 45/1676; H02J 7/00; H04Q

7/32; B65D 85/00; B65D 19/00; G03B

17/02; H04R 1/1033

See application file for complete search history.

FIG. 1 is a left, rear perspective view of a mobile phone case with crank wherein the crank handle is unfolded and the blade connector is attached showing our new design;

FIG. 2 is a rear view of FIG. 1 thereof;

FIG. 3 is a left side view of FIG. 1 thereof;

FIG. 4 is a right side view of FIG. 1 thereof;

FIG. 5 is a top view of FIG. 1 thereof;

FIG. 6 is a bottom view of FIG. 1 thereof;

FIG. 7 is a left, front perspective view of FIG. 1 thereof;

FIG. 8 is a right, front perspective view of FIG. 1 thereof;

FIG. 9 is a left, front perspective view thereof wherein the crank handle is folded and the blade connector is detached;

FIG. 10 is a right, front perspective view of FIG. 9 thereof;

FIG. 11 is a front view of FIG. 9 thereof;

FIG. 12 is a rear view of FIG. 9 thereof;

FIG. 13 is a left side view of FIG. 9 thereof;

FIG. 14 is a right side view of FIG. 9 thereof;

FIG. 15 is a top view of FIG. 9 thereof; and,

FIG. 16 is a bottom view of FIG. 9 thereof.

The broken lines shown indicate unclaimed portions of the design and form no part of the claimed design.

(56) **References Cited**

U.S. PATENT DOCUMENTS

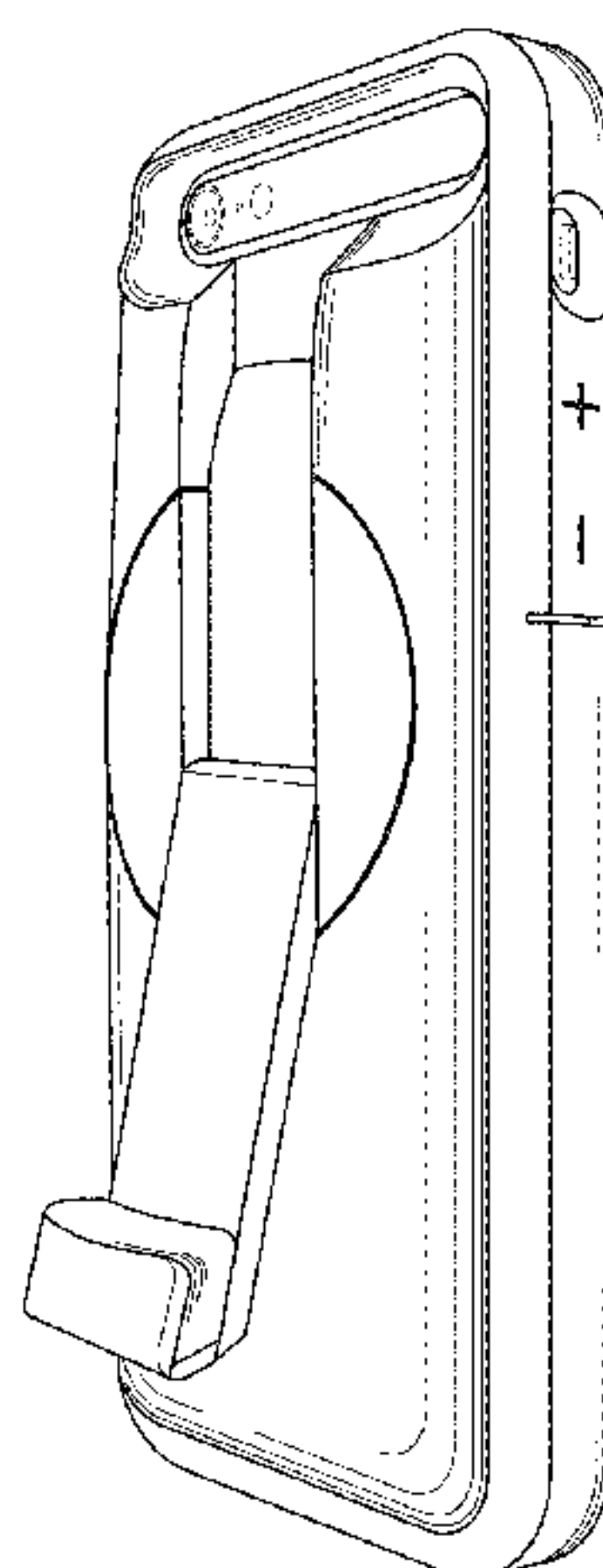
D348,775 S * 7/1994 Scheid D11/200

D536,813 S * 2/2007 Yuen D26/38

D644,428 S * 9/2011 Feng D3/218

(Continued)

1 Claim, 12 Drawing Sheets



(56)

References Cited

U.S. PATENT DOCUMENTS

| | | | | |
|--------------|------|---------|----------------|-------------------------|
| D698,311 | S | 1/2014 | Salzman et al. | |
| D705,767 | S * | 5/2014 | Yoon | D14/250 |
| D714,278 | S * | 9/2014 | Case | D14/250 |
| 8,857,691 | B2 * | 10/2014 | Monaco | A45C 11/00 224/269 |
| D726,170 | S * | 4/2015 | Ng | D14/250 |
| 9,049,782 | B2 * | 6/2015 | Koenig | H04R 1/1033 |
| 2010/0200628 | A1 * | 8/2010 | Tages | A45F 5/02 224/269 |
| 2011/0203954 | A1 * | 8/2011 | Kroupa | B65H 75/4431 206/320 |
| 2012/0025039 | A1 * | 2/2012 | Segal | F16M 11/24 248/188.6 |
| 2014/0076750 | A1 * | 3/2014 | Monaco | A45C 11/00 206/216 |

* cited by examiner

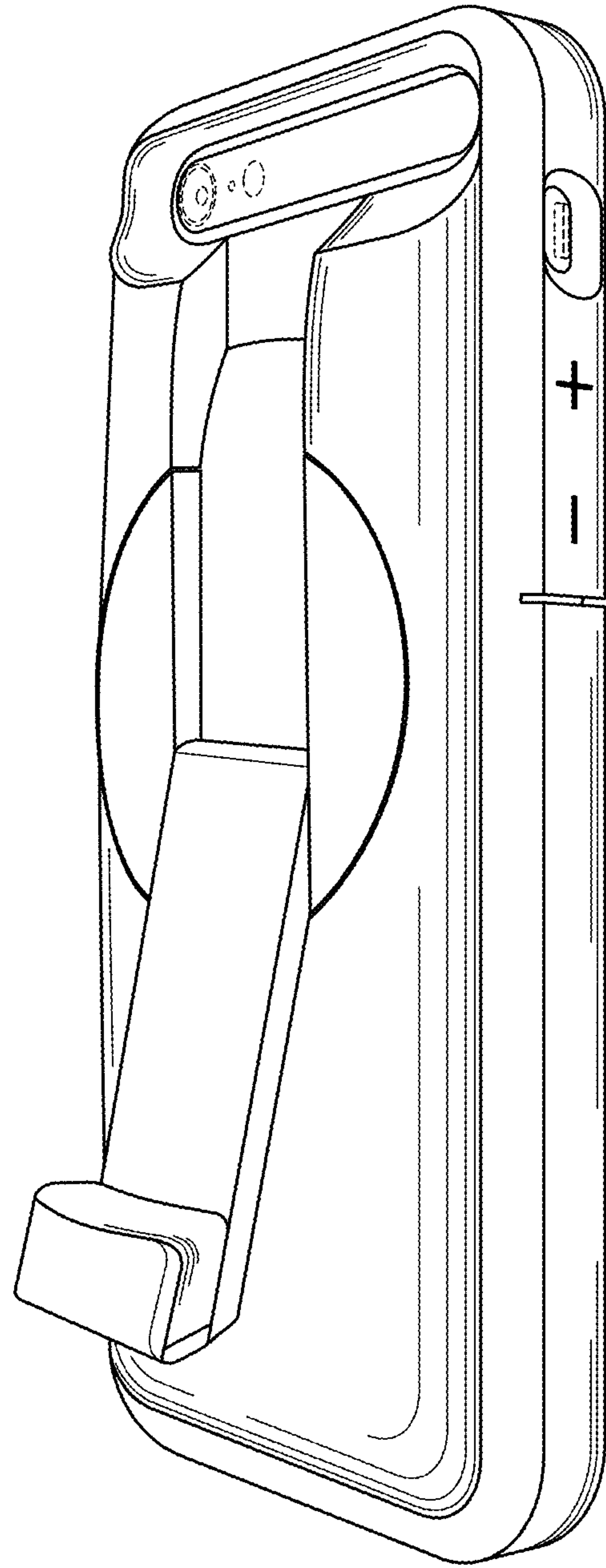


FIG. 1

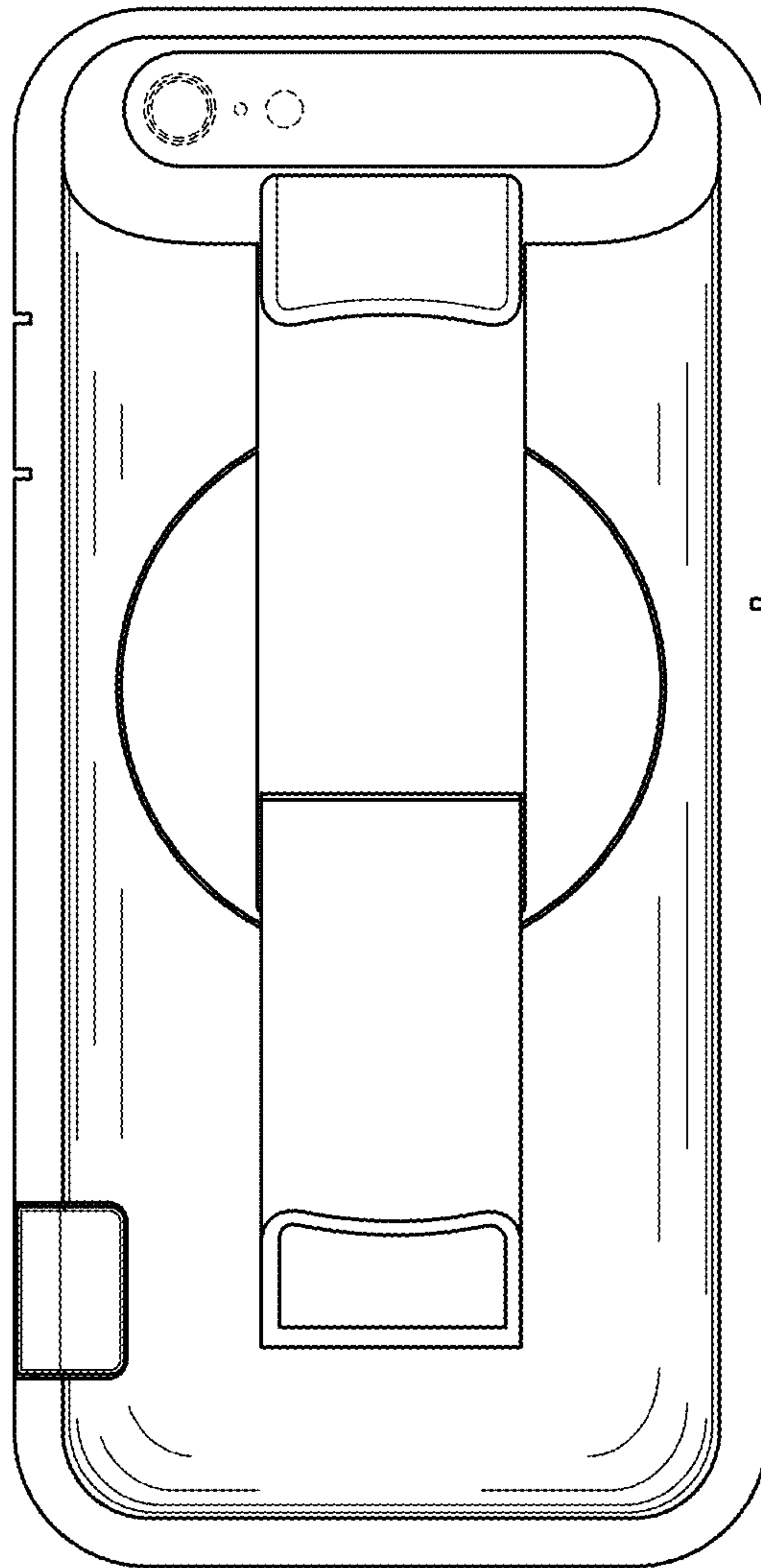


FIG. 2

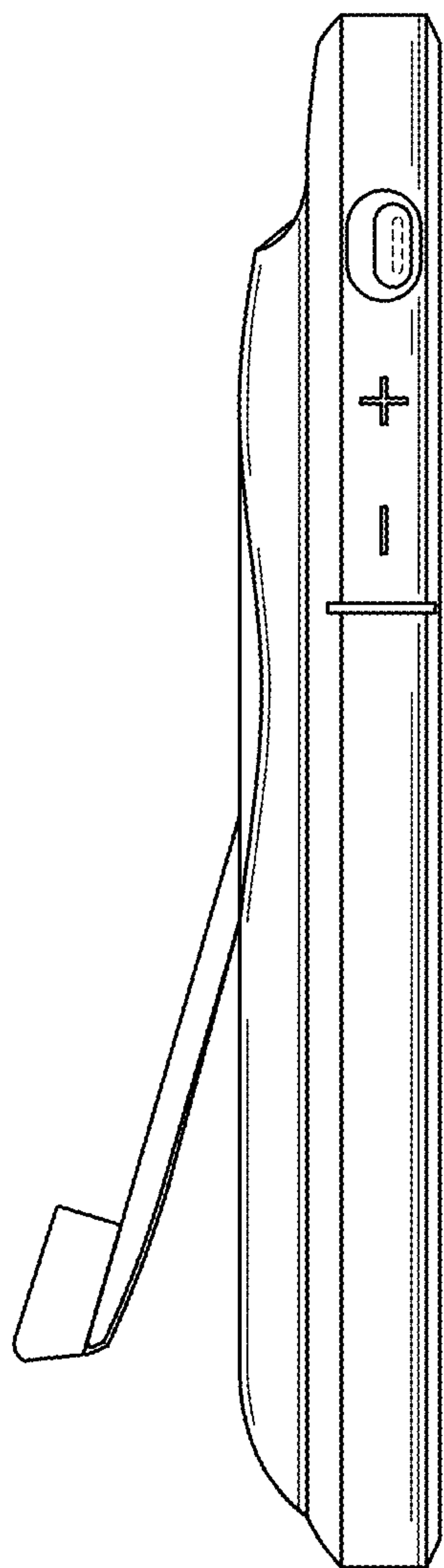


FIG. 3

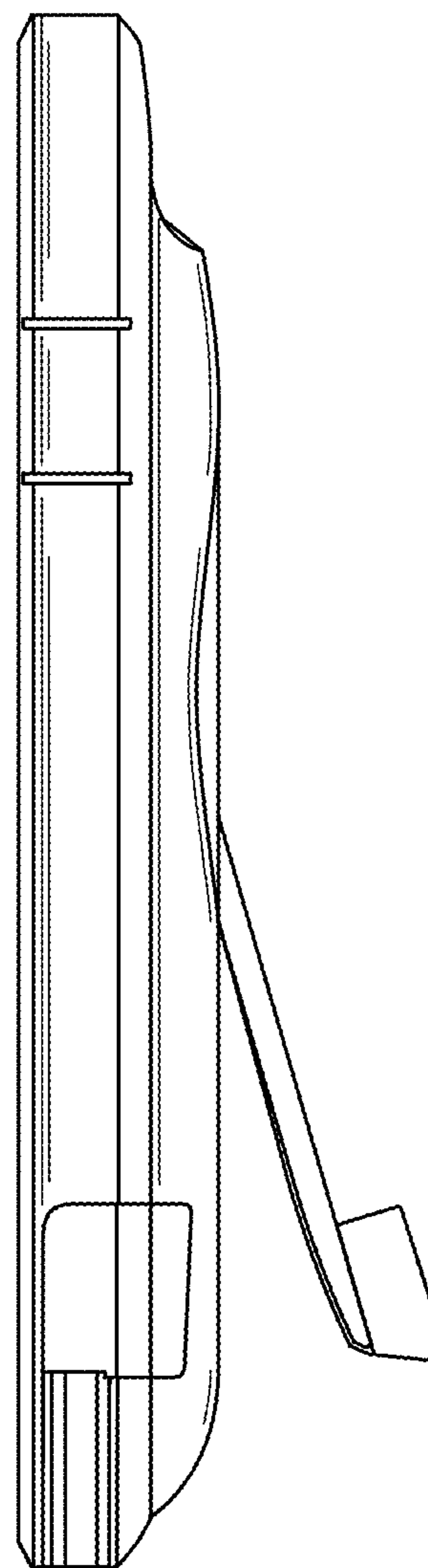


FIG. 4

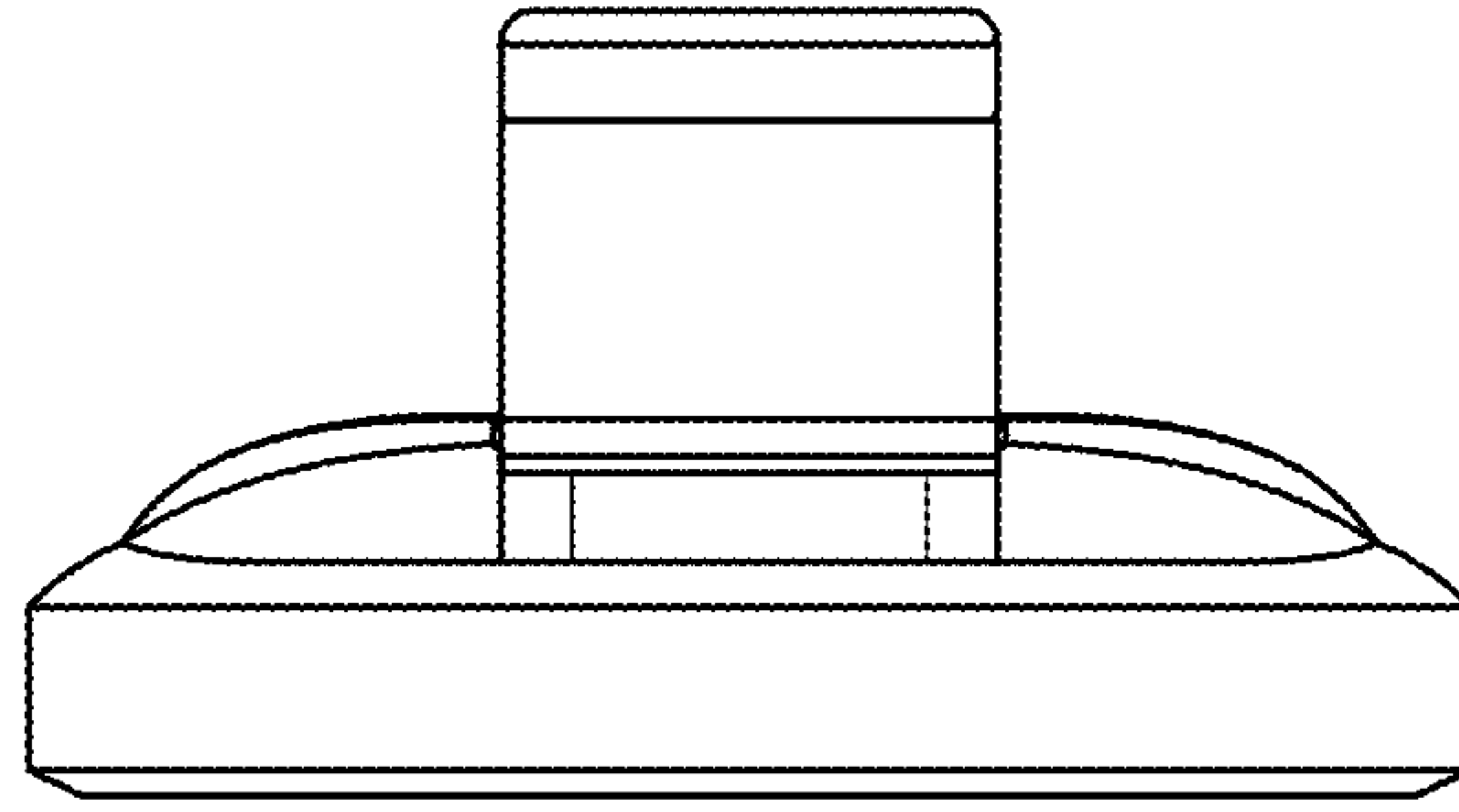


FIG. 5

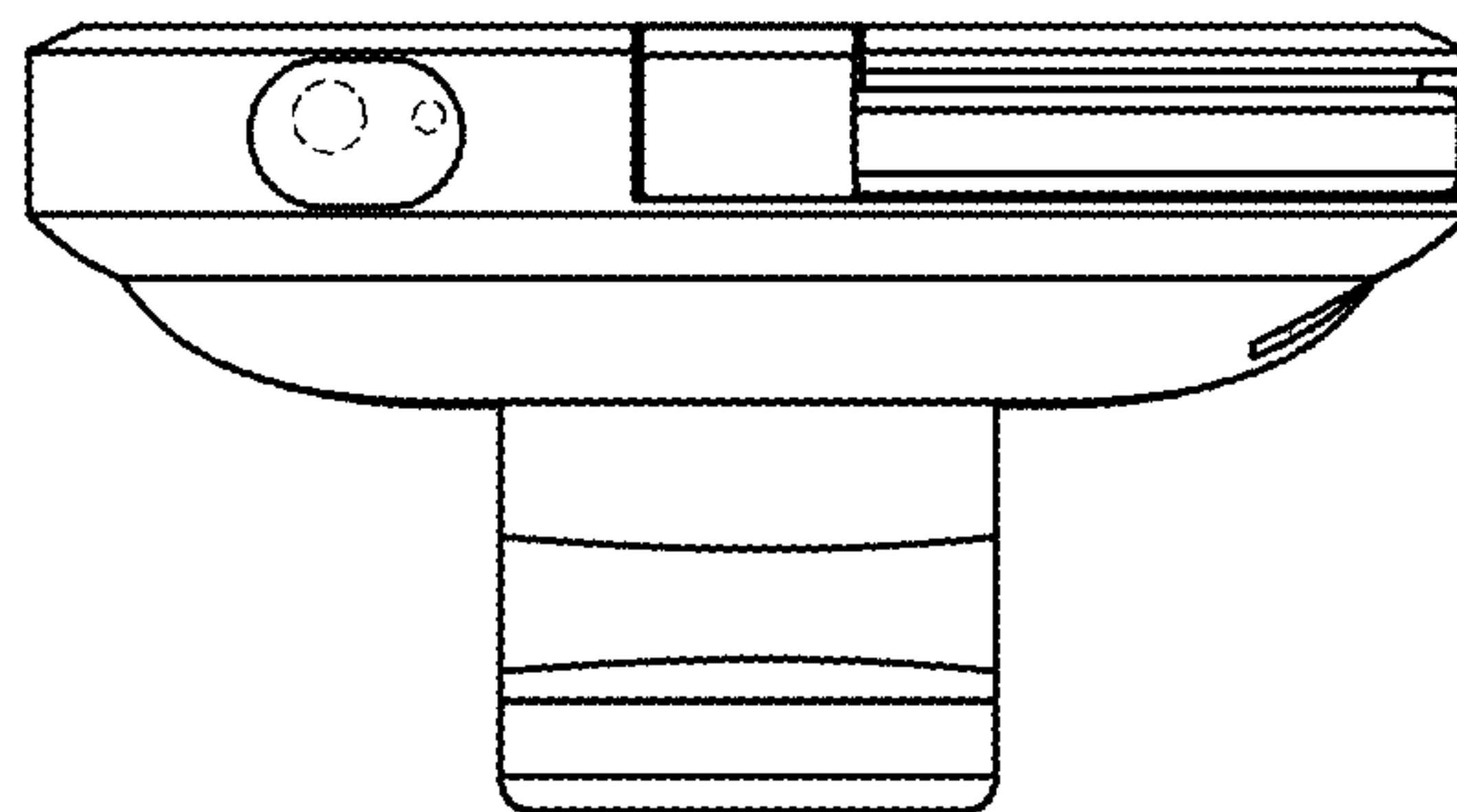


FIG. 6

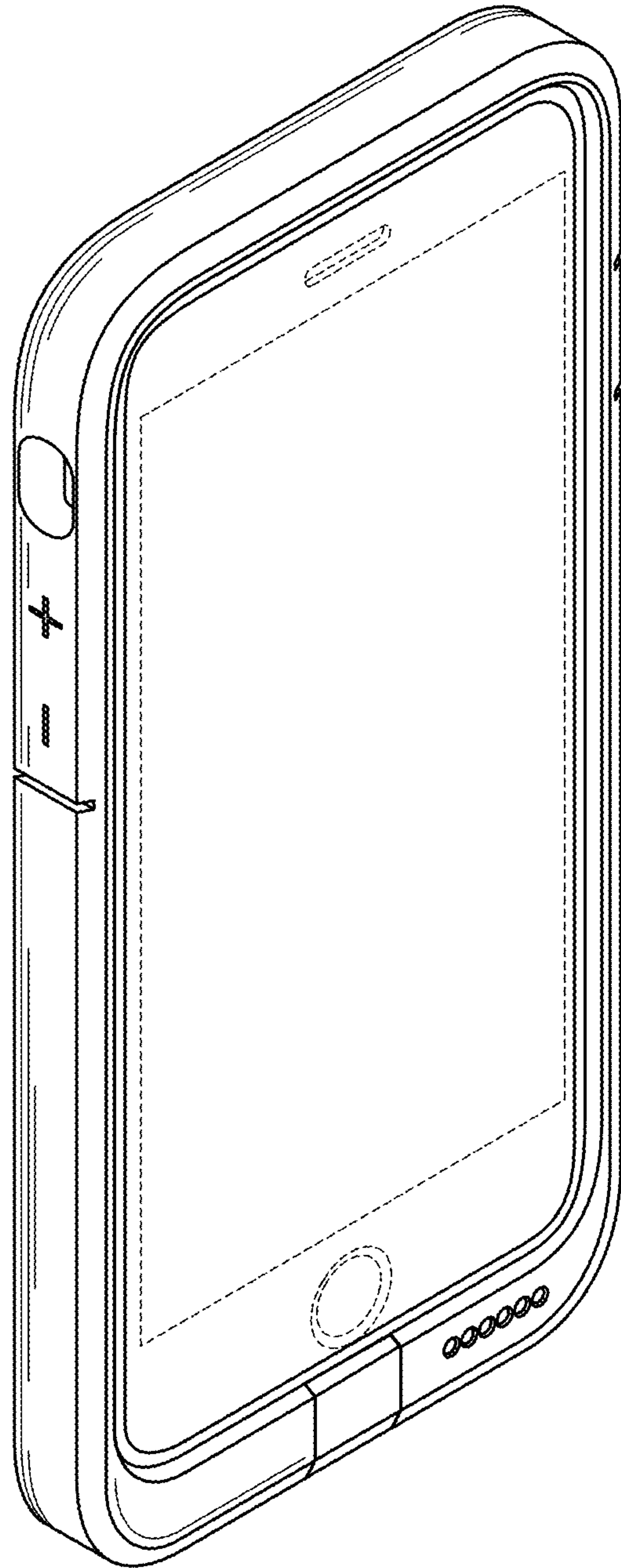


FIG. 7

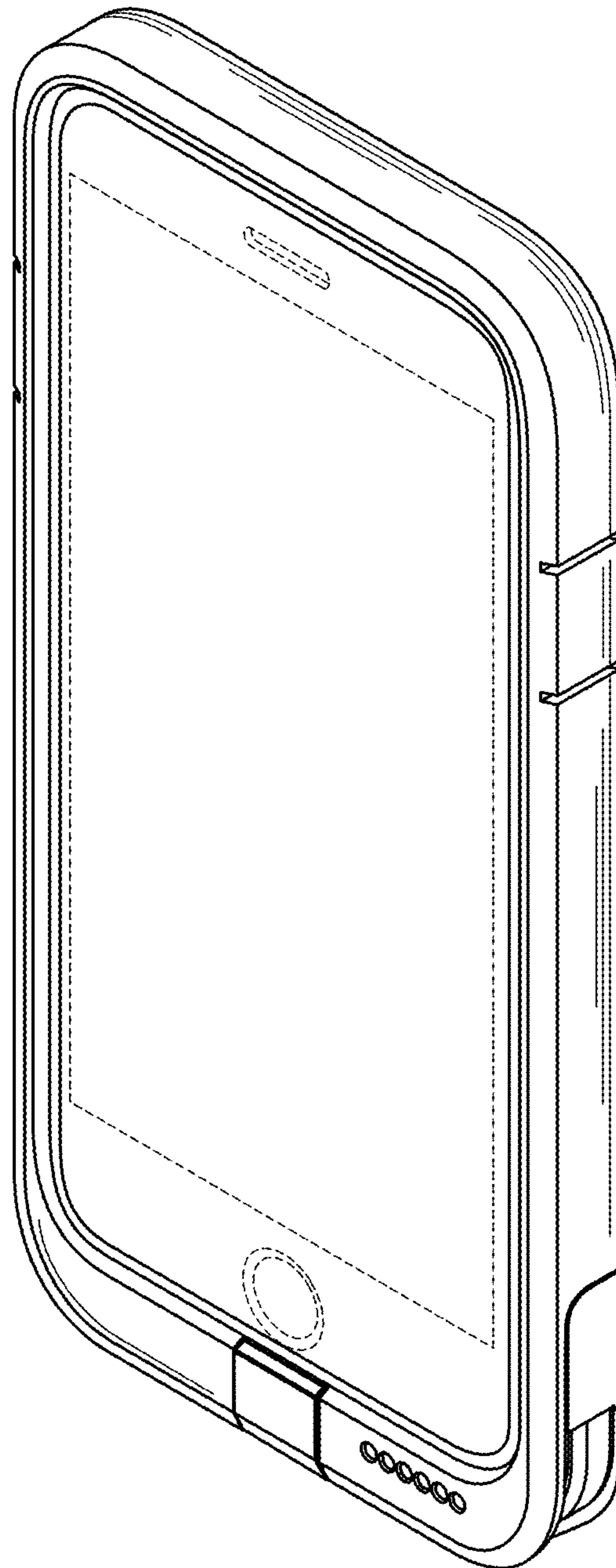


FIG. 8

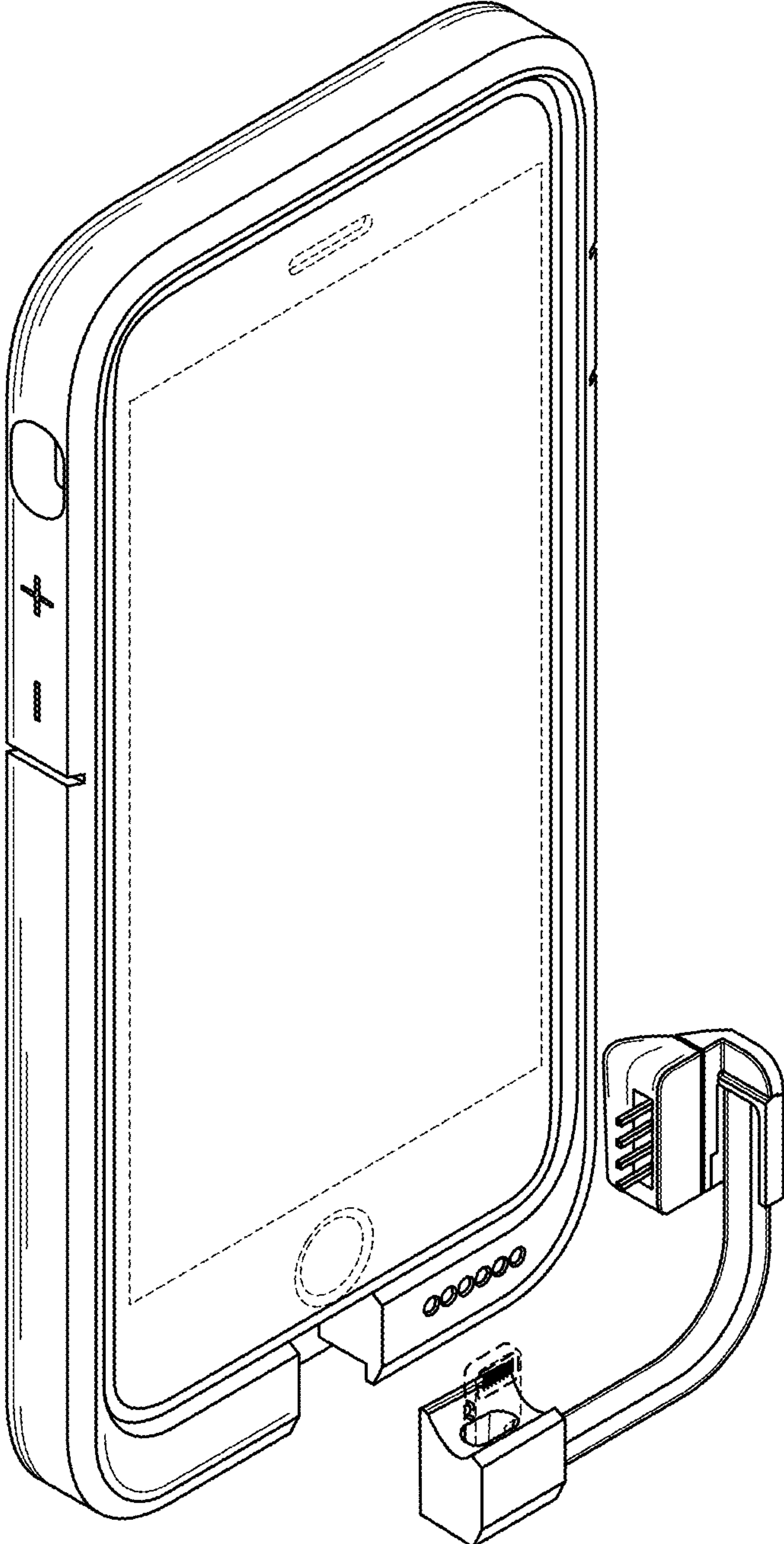


FIG. 9

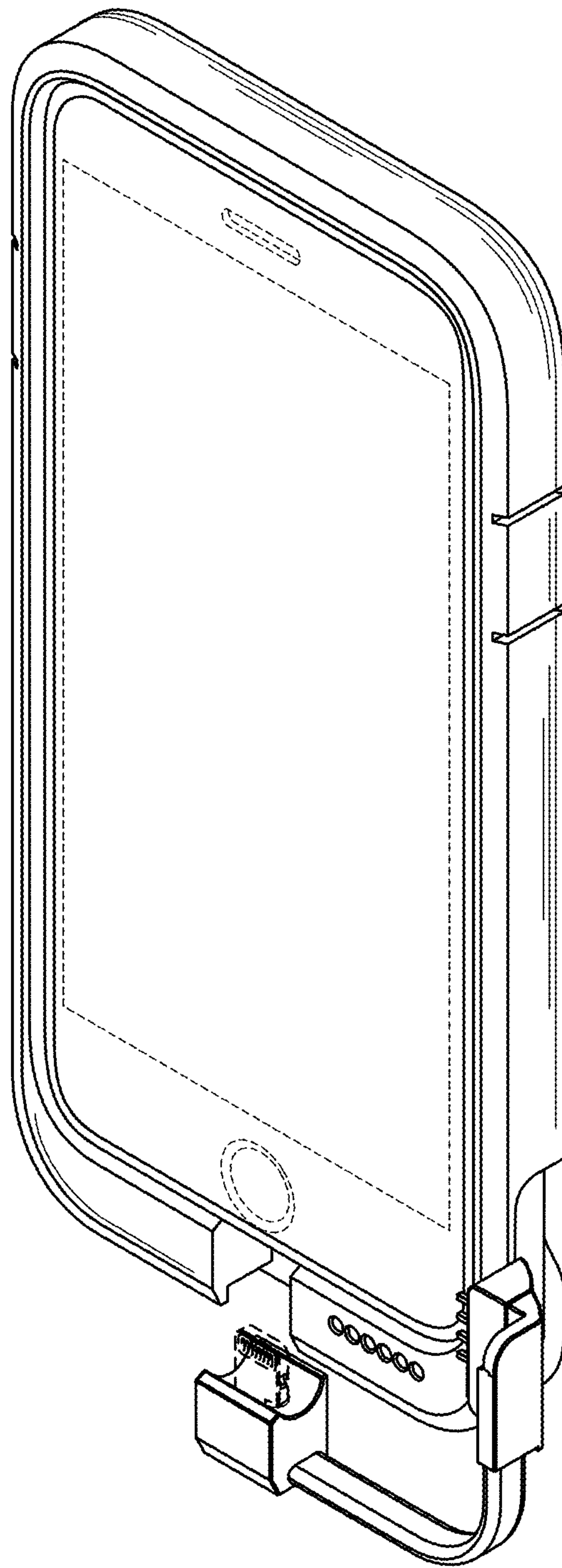


FIG. 10

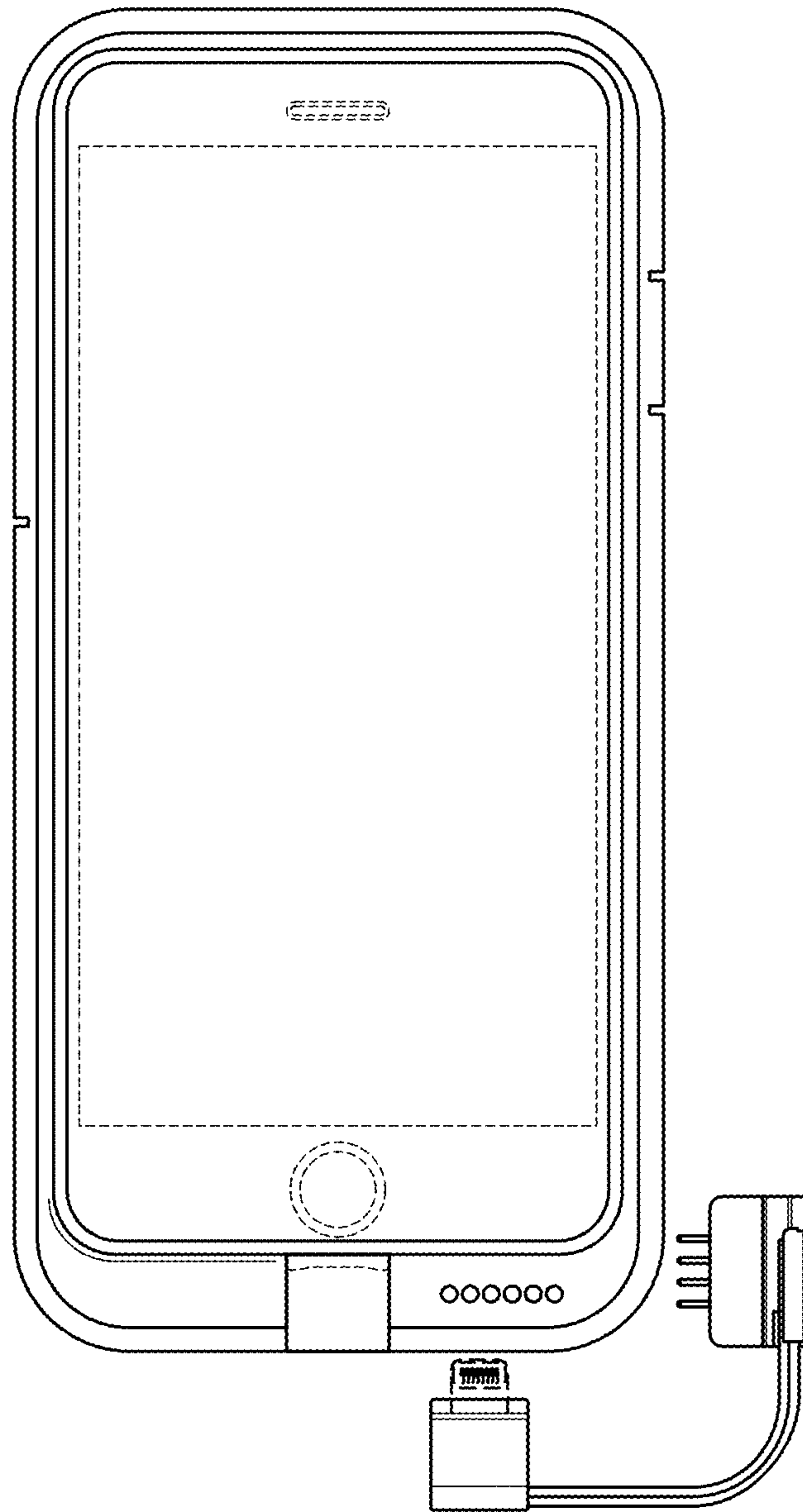


FIG. 11

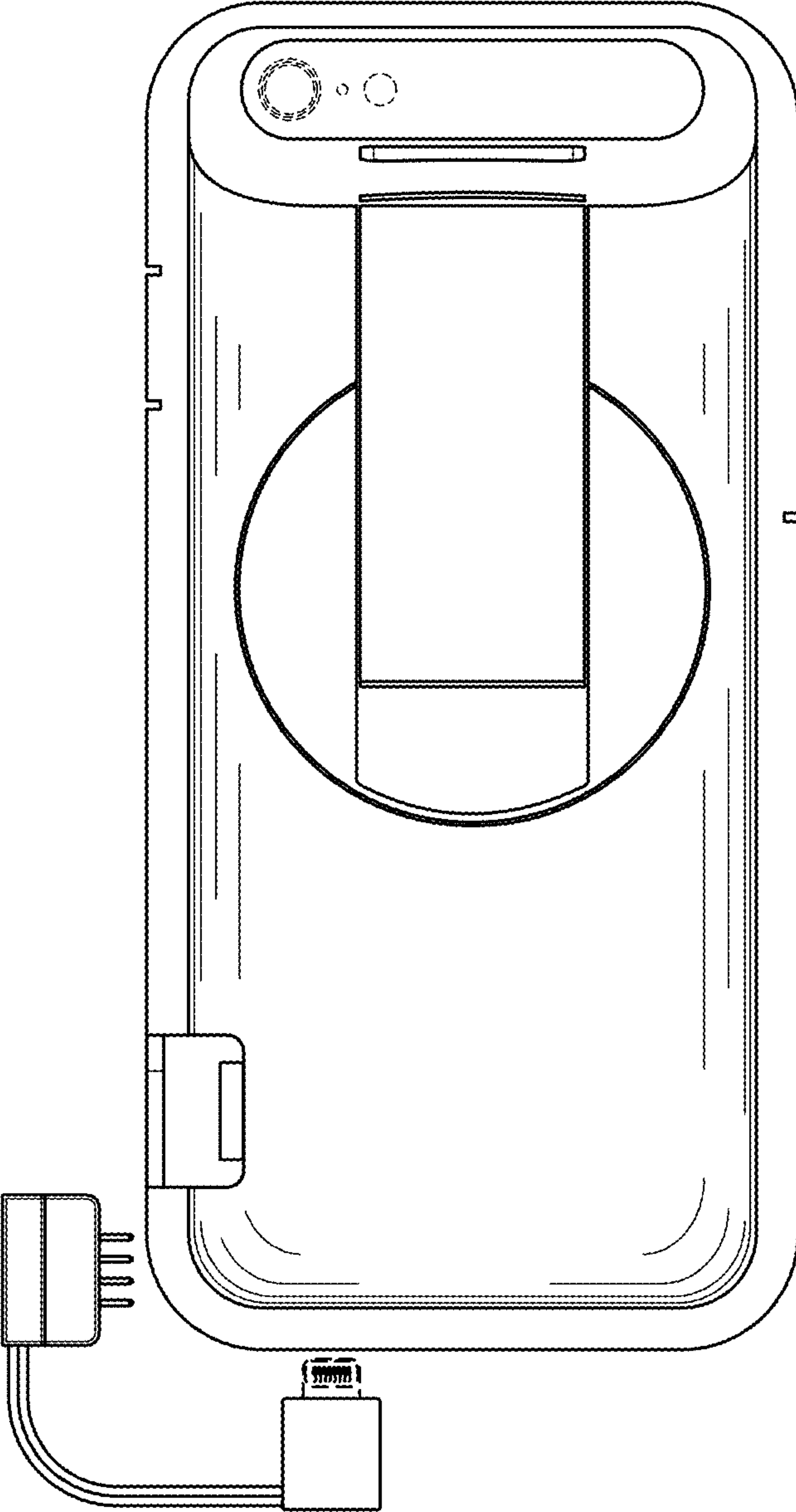


FIG. 12

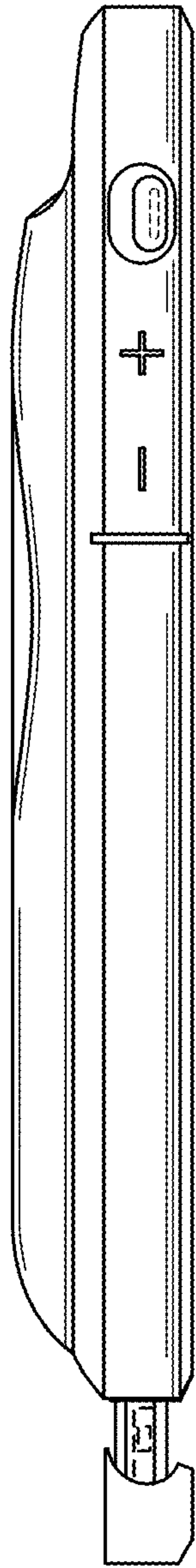


FIG. 13

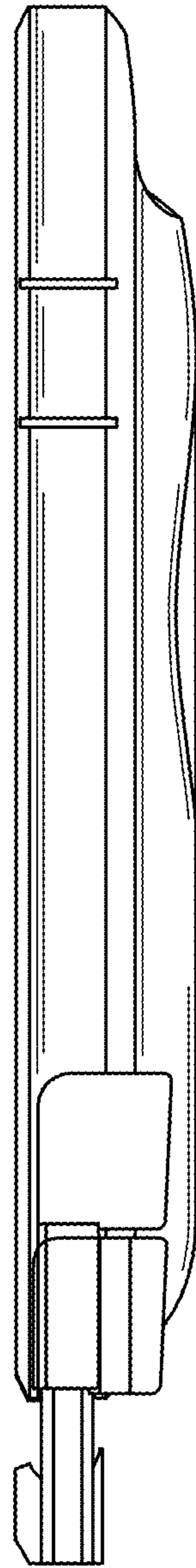


FIG. 14

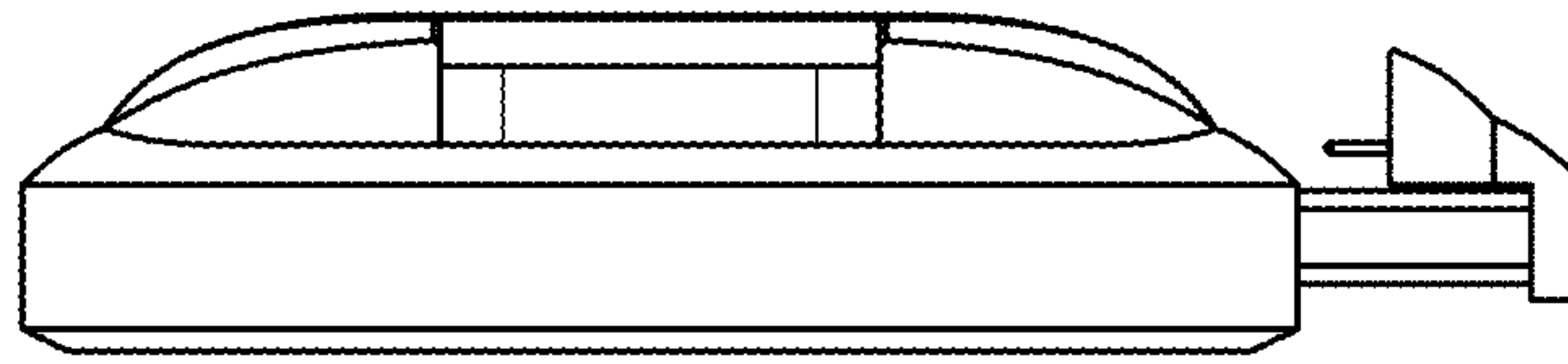


FIG. 15

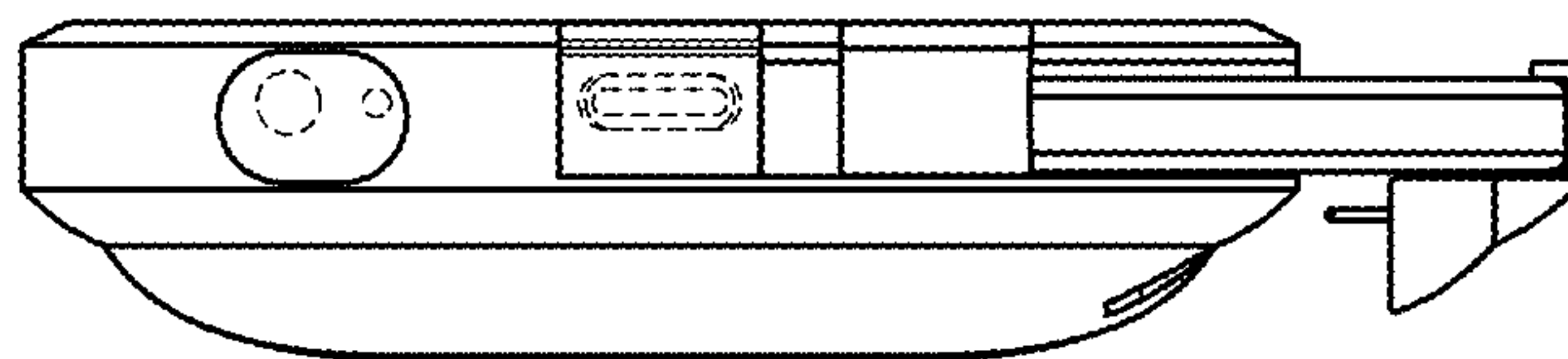


FIG. 16