



US00D778271S

(12) **United States Design Patent**
Stump et al.

(10) **Patent No.:** **US D778,271 S**

(45) **Date of Patent:** **** Feb. 7, 2017**

(54) **CASE FOR A MOBILE COMMUNICATIONS DEVICE**

(71) Applicants: **John Stump**, Santa Barbara, CA (US);
Michael Shepard, Santa Barbara, CA (US)

(72) Inventors: **John Stump**, Santa Barbara, CA (US);
Michael Shepard, Santa Barbara, CA (US)

(**) Term: **14 Years**

(21) Appl. No.: **29/515,593**

(22) Filed: **Jan. 23, 2015**

(51) **LOC (10) Cl.** **14-03**

(52) **U.S. Cl.**
USPC **D14/250**

(58) **Field of Classification Search**
USPC D14/238.1, 250, 440, 203.3–203.7,
D14/217, 240, 248, 251–253, 447, 496;
D3/201, 218, 247, 269, 273, 301, 303;
D13/103, D13/107–108, 119
CPC A45C 1/06; A45C 11/00; A45C 13/02;
A45C 2011/002; A45F 5/02; A45F
2005/026; A45F 2200/0525; A45F
2200/0516; H04B 1/3888; H04M 1/0283;
H04M 1/0202

See application file for complete search history.

(56) **References Cited**

U.S. PATENT DOCUMENTS

D666,612 S *	9/2012	Li	D14/248
D666,998 S *	9/2012	Li	D14/248
D668,645 S *	10/2012	Li	D14/248
D668,646 S *	10/2012	Li	D14/248
D671,932 S *	12/2012	Azoulay	D14/250
D681,622 S *	5/2013	Melanson	D14/250

D697,060 S *	1/2014	Yang	D14/250
D700,598 S *	3/2014	Kim	D14/250
D704,684 S *	5/2014	Yeh	D14/248
D709,869 S *	7/2014	Witter	D14/250
D714,276 S *	9/2014	Hu	D14/250
D716,280 S *	10/2014	Macrina	D14/250
D740,798 S *	10/2015	Poon	D14/250
D741,845 S *	10/2015	Kim	D14/250
2011/0095033 A1 *	4/2011	Hung	A45C 11/00 220/602
2013/0118934 A1 *	5/2013	Green	A45C 11/00 206/320
2013/0292269 A1 *	11/2013	Tages	A45C 11/00 206/37
2014/0221056 A1 *	8/2014	Gandhi	H04B 1/3888 455/575.8
2014/0268516 A1 *	9/2014	Fathollahi	A45C 11/00 361/679.01

* cited by examiner

Primary Examiner — Carla Jobe Wright

(74) *Attorney, Agent, or Firm* — QuickPatents, LLC;
Kevin Prince

(57) **CLAIM**

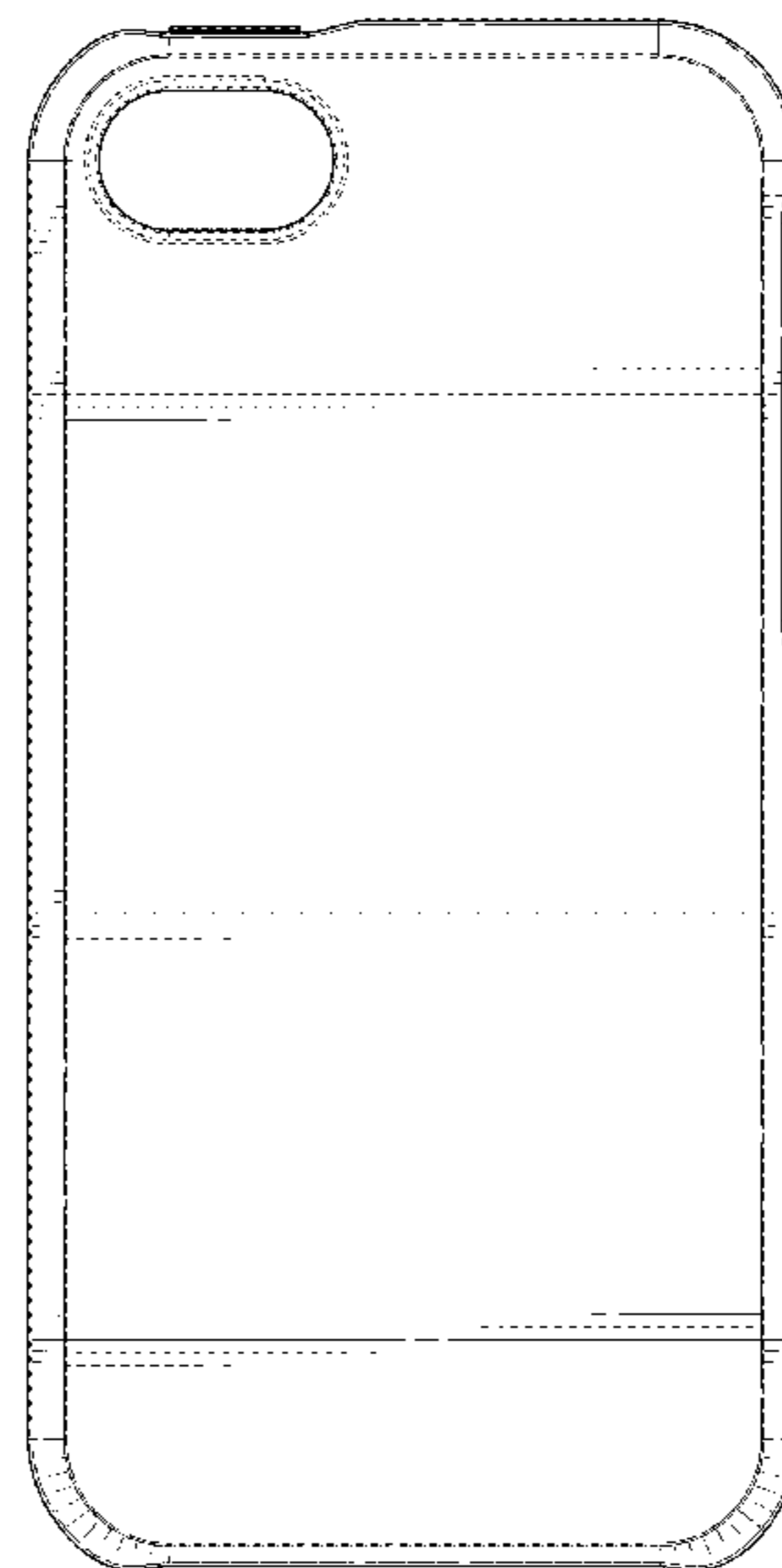
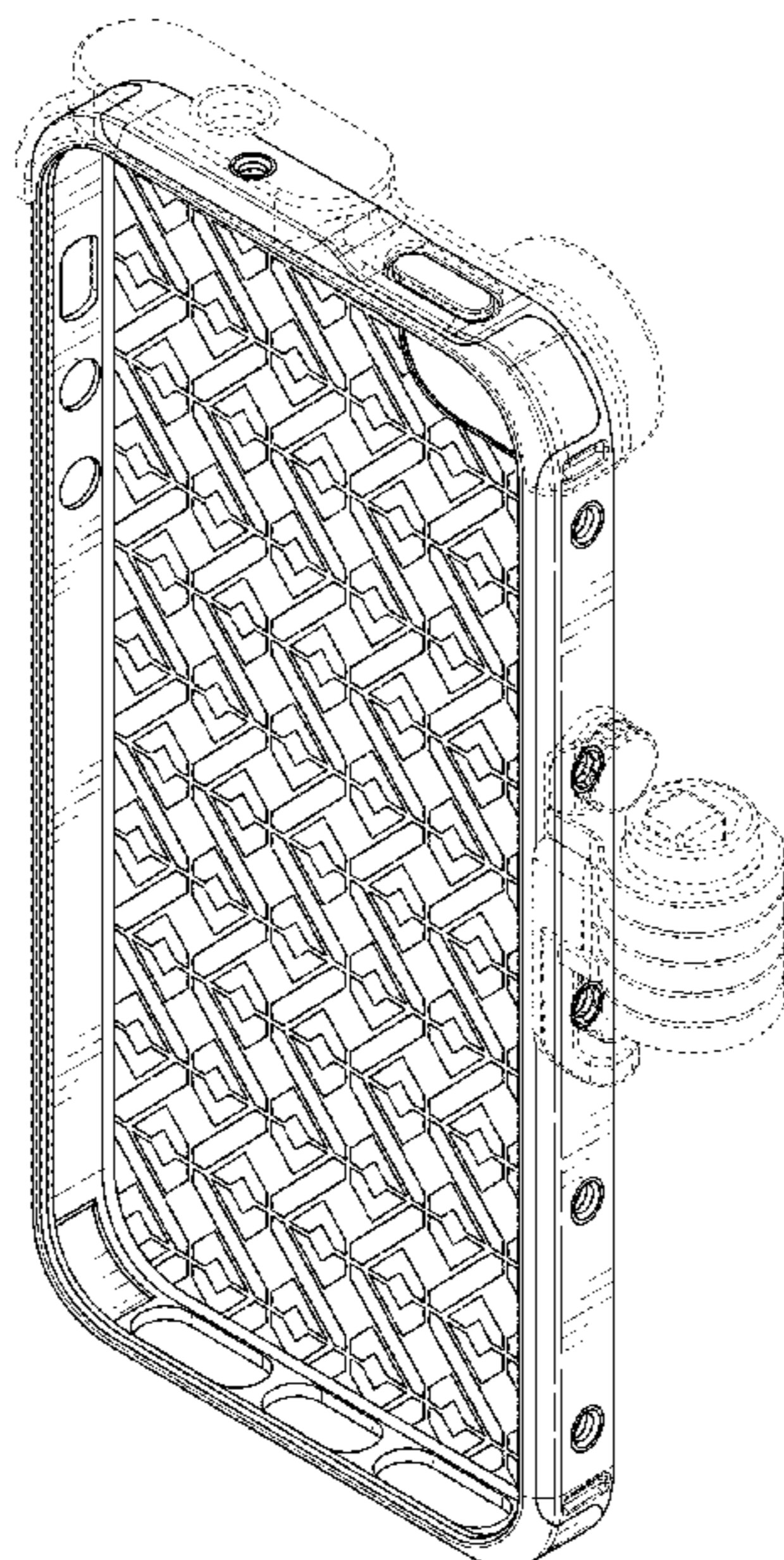
We claim the ornamental design for a case for a mobile communications device, as shown and described.

DESCRIPTION

FIG. 1 is a front perspective view of a case for a mobile communications device, showing our new design; FIG. 2 is a front elevational view thereof; FIG. 3 is a rear elevational view thereof; FIG. 4 is a left-side elevational view thereof; FIG. 5 is a right-side elevational view thereof; FIG. 6 is a top plan view thereof; and, FIG. 7 is a bottom plan view thereof.

The broken lines in the drawing figures depict environmental structure that forms no part of the claimed design.

1 Claim, 5 Drawing Sheets



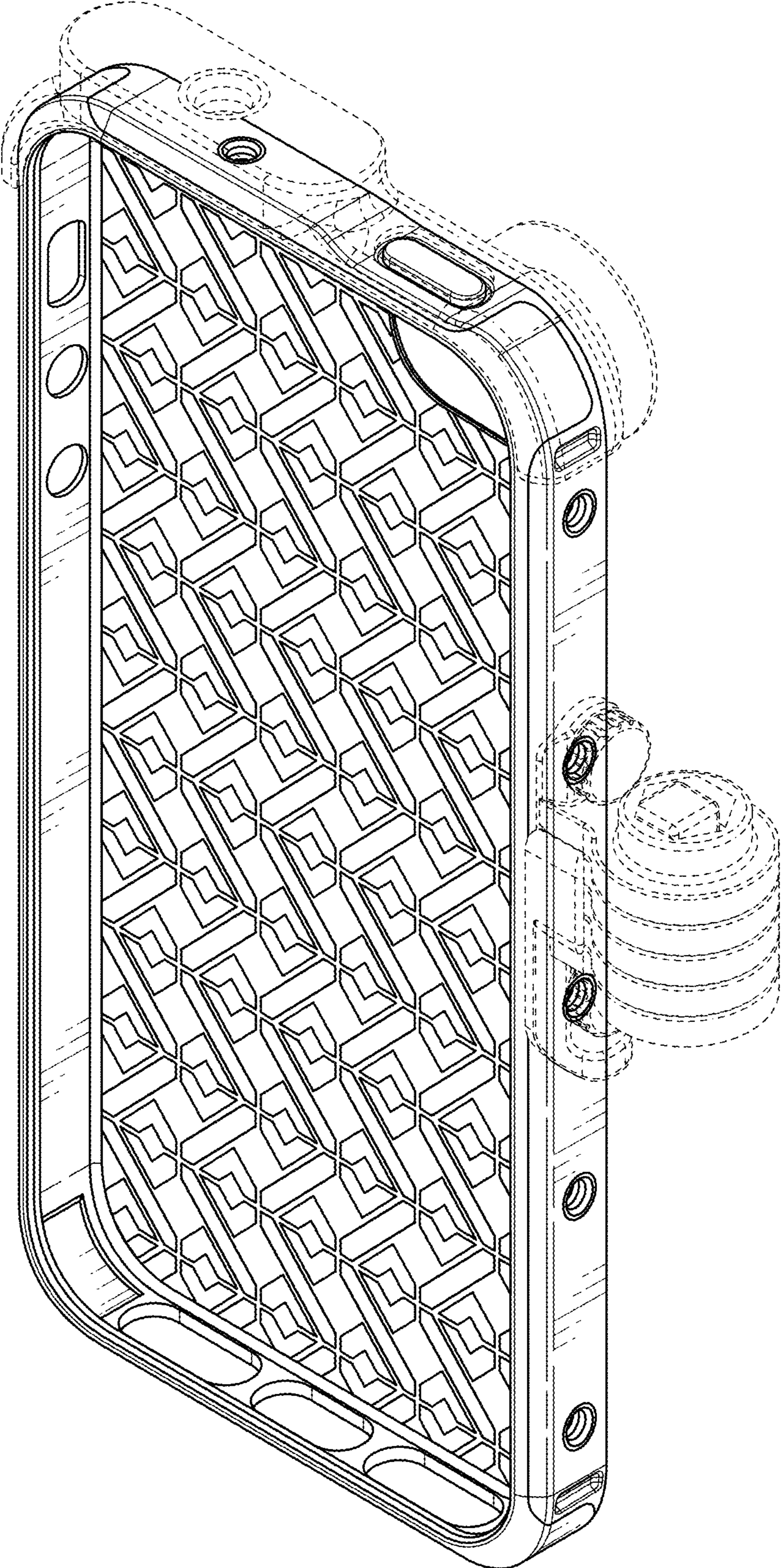


FIG. 1

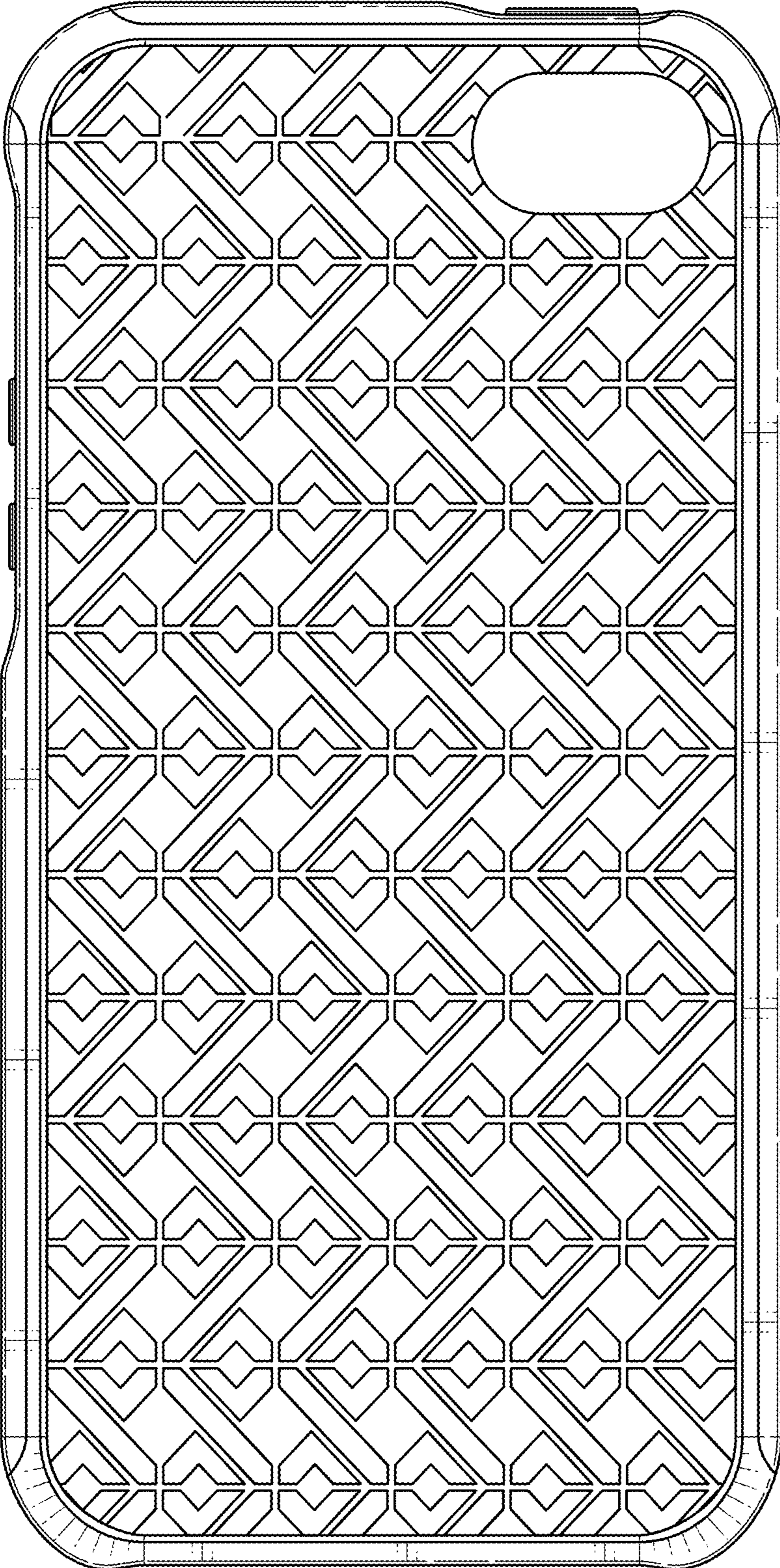


FIG. 2

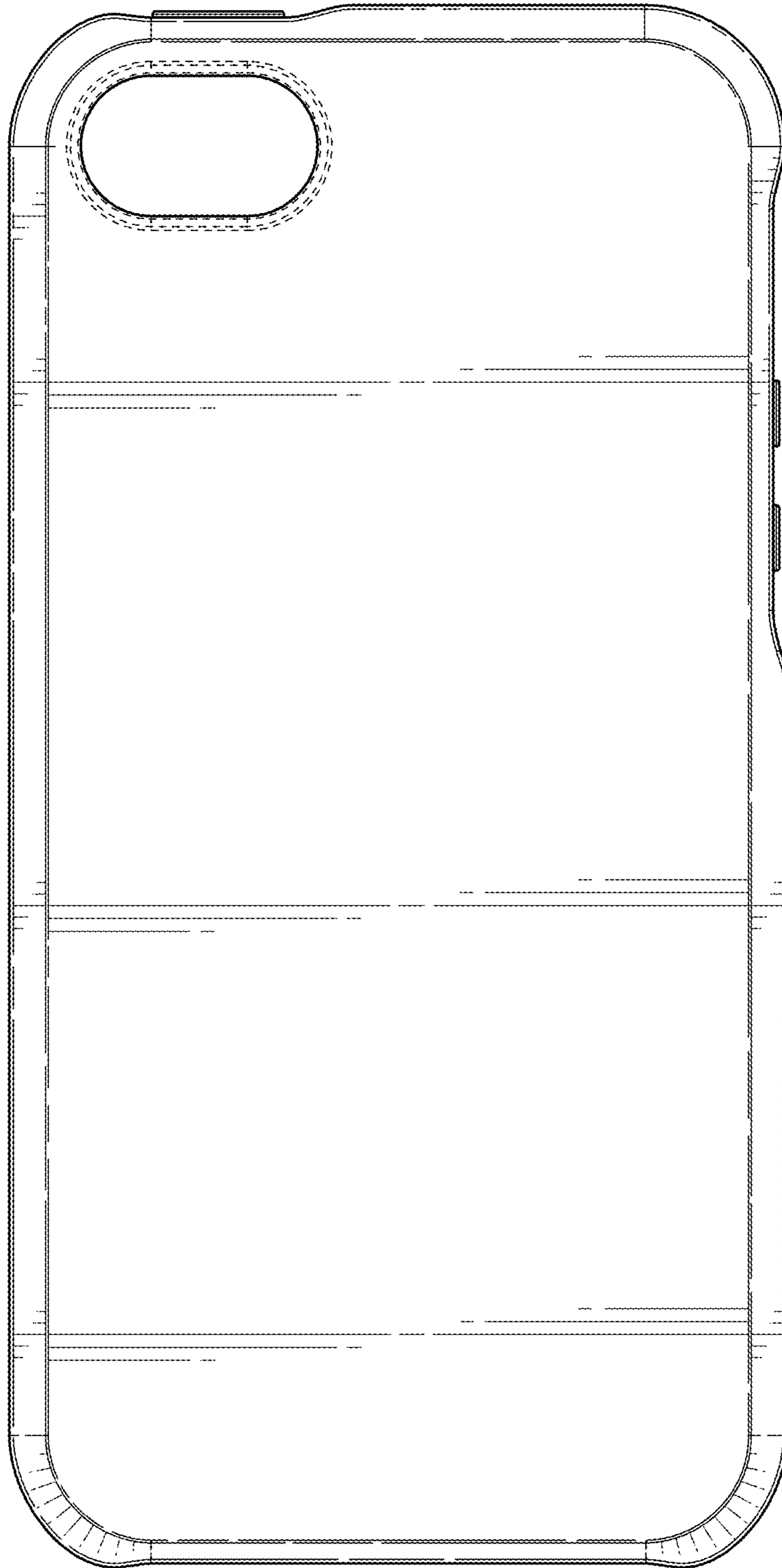


FIG. 3

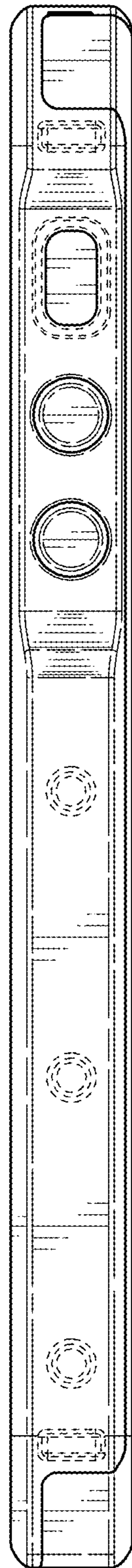


FIG. 4

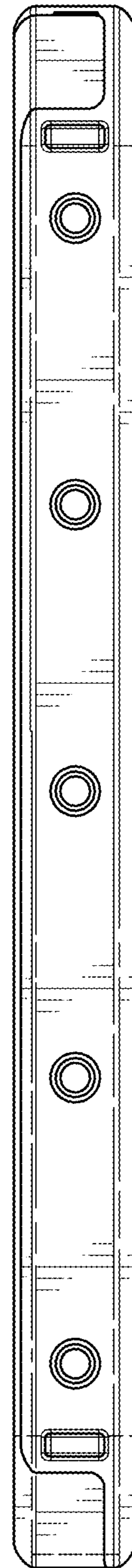


FIG. 5

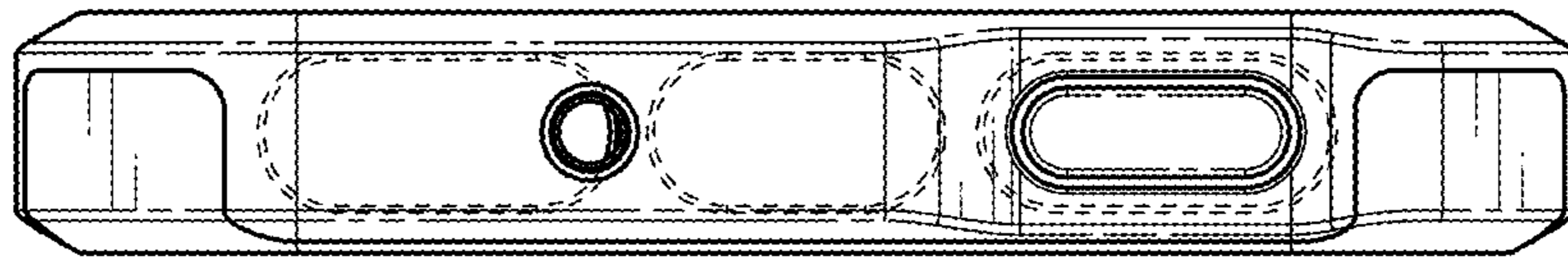


FIG. 6

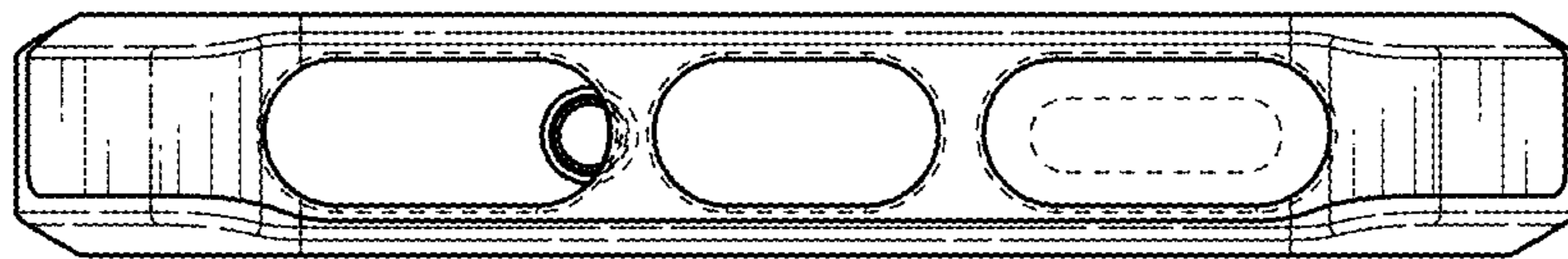


FIG. 7