



US00D778268S

(12) **United States Design Patent** (10) **Patent No.:** **US D778,268 S**
Hsieh et al. (45) **Date of Patent:** **** Feb. 7, 2017**

(54) **EARPHONE**
(71) Applicant: **1MORE INC.**, Shenzhen (CN)
(72) Inventors: **Kuan-Hong Hsieh**, Shenzhen (CN); **Shichen Xu**, Shenzhen (CN); **Shixuan Yu**, Shenzhen (CN); **Yonghui Hu**, Shenzhen (CN)
(73) Assignee: **1MORE INC.**, Shenzhen (CN)
(**) Term: **15 Years**
(21) Appl. No.: **29/548,100**
(22) Filed: **Dec. 10, 2015**
(30) **Foreign Application Priority Data**
Sep. 18, 2015 (CN) 2015 3 0363046
(51) **LOC (10) Cl.** **14-01**
(52) **U.S. Cl.**
USPC **D14/223**
(58) **Field of Classification Search**
USPC D14/223; 181/129, 130, 135; 379/430, 379/431; 381/380, 381, 374; 455/90.3, 455/575.1
CPC H04R 1/10; H04R 25/00; H04R 1/1016; H04R 1/1066
See application file for complete search history.

(56) **References Cited**
U.S. PATENT DOCUMENTS
4,468,842 A * 9/1984 Perry F16B 41/005 24/20 LS
4,972,492 A * 11/1990 Tanaka H04R 1/1016 181/130
5,363,444 A * 11/1994 Norris H04M 1/05 379/430

5,373,555 A * 12/1994 Norris H04M 1/05 379/430
D474,171 S * 5/2003 Suzuki D14/206
D523,846 S * 6/2006 Lee D14/205
D554,627 S * 11/2007 Gondo D14/223
D555,152 S * 11/2007 Wang D14/223
D556,741 S * 12/2007 Yeo D14/205
D567,217 S * 4/2008 Kamo D14/205
D573,978 S * 7/2008 Ledbetter D14/205
D576,154 S * 9/2008 Ledbetter D14/223
D578,517 S * 10/2008 Pausch D14/223
D593,537 S * 6/2009 Arimoto D14/205
D599,778 S * 9/2009 Ando D14/205
D604,718 S * 11/2009 Paterson D14/206
D629,395 S * 12/2010 Lee D14/223
D657,780 S * 4/2012 Dahlberg D14/223
D660,290 S * 5/2012 Weedon D14/223
D671,530 S * 11/2012 Yang D14/223
D671,531 S * 11/2012 Kim D14/223
D678,251 S * 3/2013 Cantoni D14/223
8,391,536 B2 * 3/2013 Hashimoto H04R 1/1016 381/370
D679,267 S * 4/2013 Lee D14/223

(Continued)

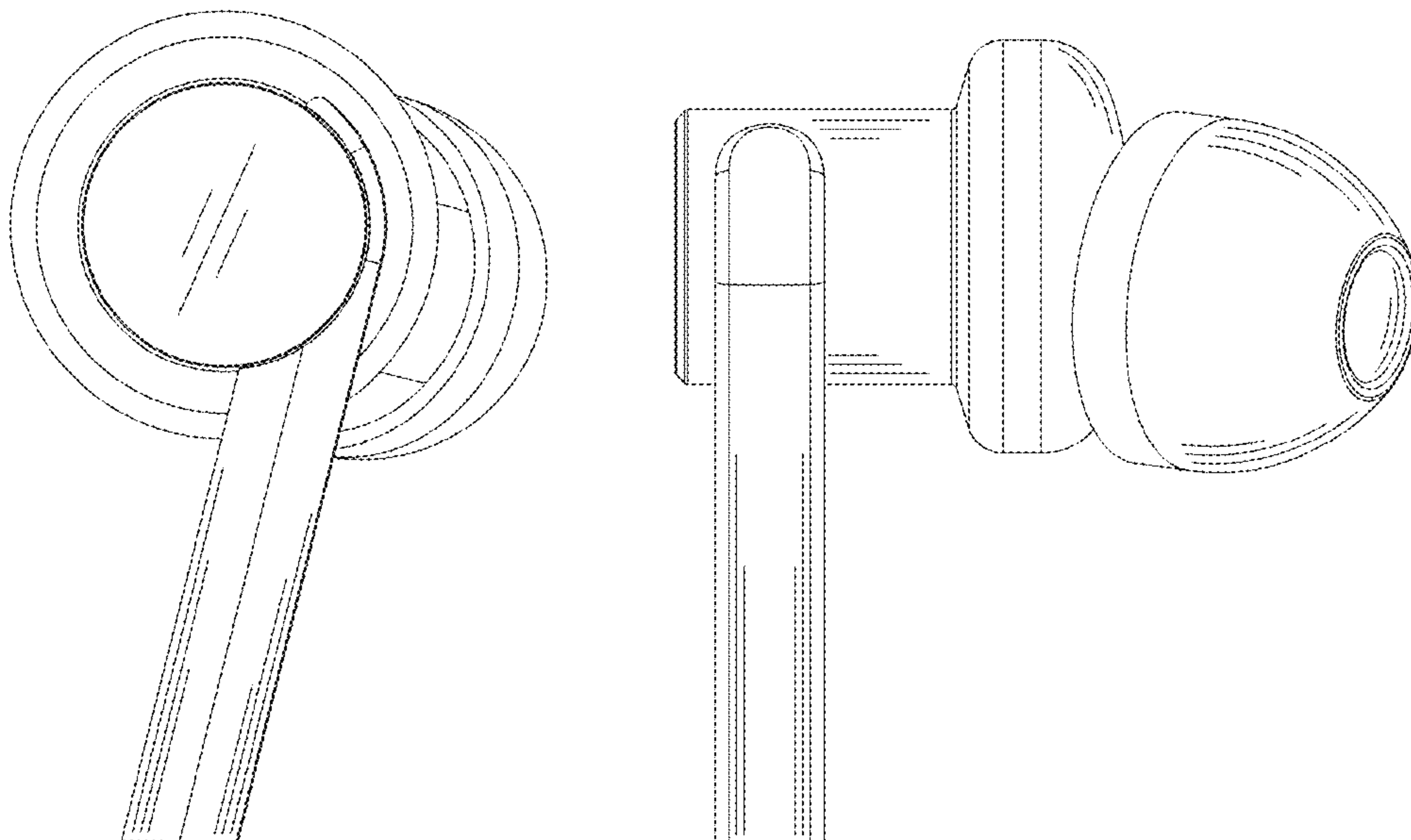
Primary Examiner — Paula Greene
(74) Attorney, Agent, or Firm — HoustonHogle LLP

(57) **CLAIM**
The ornamental design for an earphone, as shown and described.

DESCRIPTION

FIG. 1 is a front elevational view of an earphone showing a new design;
FIG. 2 is a rear elevational view thereof;
FIG. 3 is a left-side elevational view thereof;
FIG. 4 is a right-side elevational view thereof;
FIG. 5 is atop plan view thereof;
FIG. 6 is a bottom plan view thereof;
FIG. 7 is a perspective view thereof; and,
FIG. 8 is another perspective view thereof.

1 Claim, 8 Drawing Sheets



(56)

References Cited

U.S. PATENT DOCUMENTS

8,422,717 B2 * 4/2013 Lin H04R 1/1091
181/129
D701,195 S * 3/2014 Katsumata D14/223
8,712,087 B2 * 4/2014 Ozawa H04R 1/1016
181/130
D736,185 S * 8/2015 Yaegashi D14/223
D746,792 S * 1/2016 Kim D14/205
D760,202 S * 6/2016 Hsieh D14/223
D762,196 S * 7/2016 Hsieh D14/223
D762,616 S * 8/2016 Hsieh D14/205
D770,412 S * 11/2016 Son D14/205
2007/0189570 A1 * 8/2007 Matsuo H04R 1/1016
381/382
2013/0170692 A1 * 7/2013 Kaneko H04R 1/1033
381/380

* cited by examiner

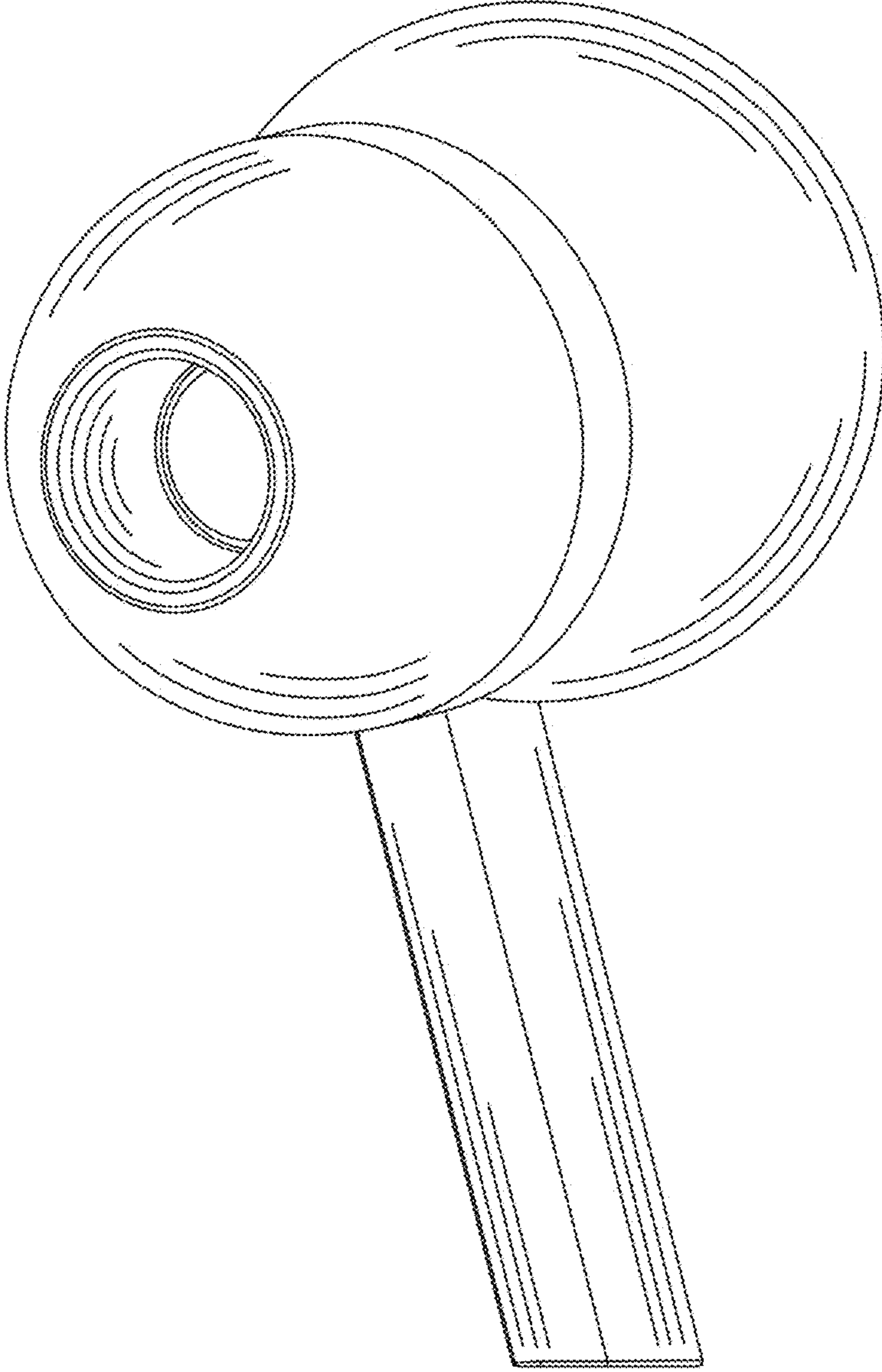


FIG. 1

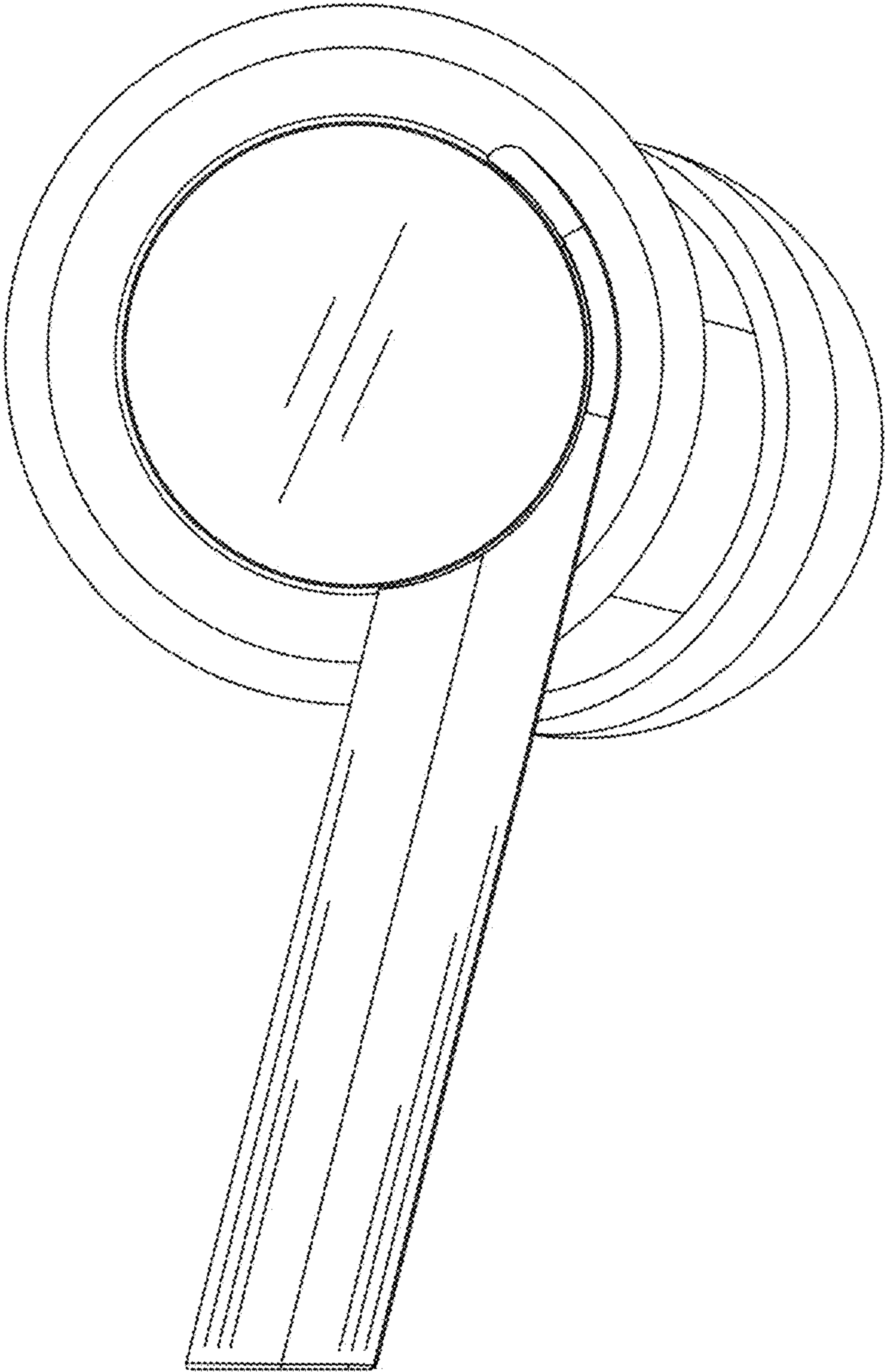


FIG. 2

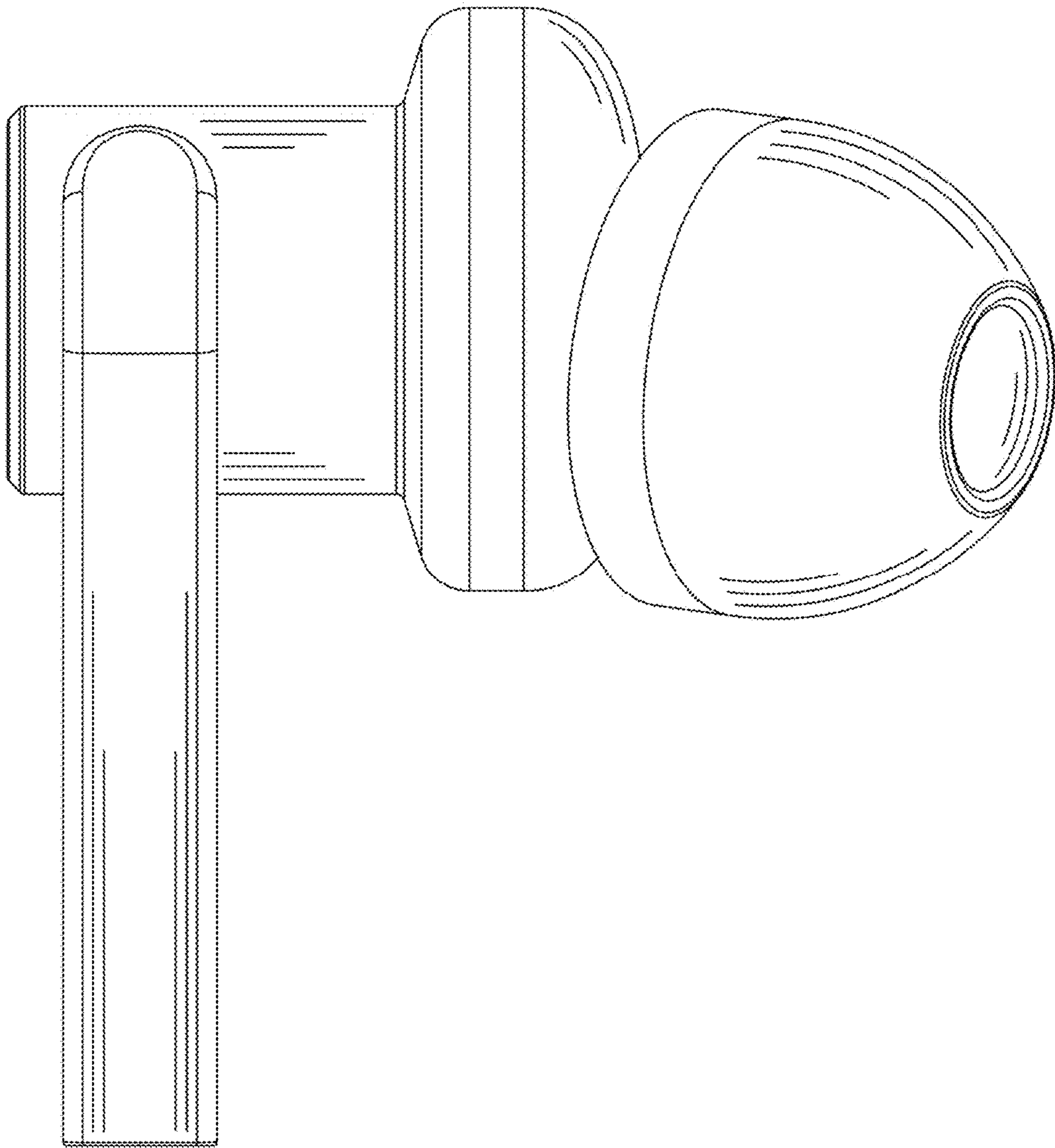


FIG. 3

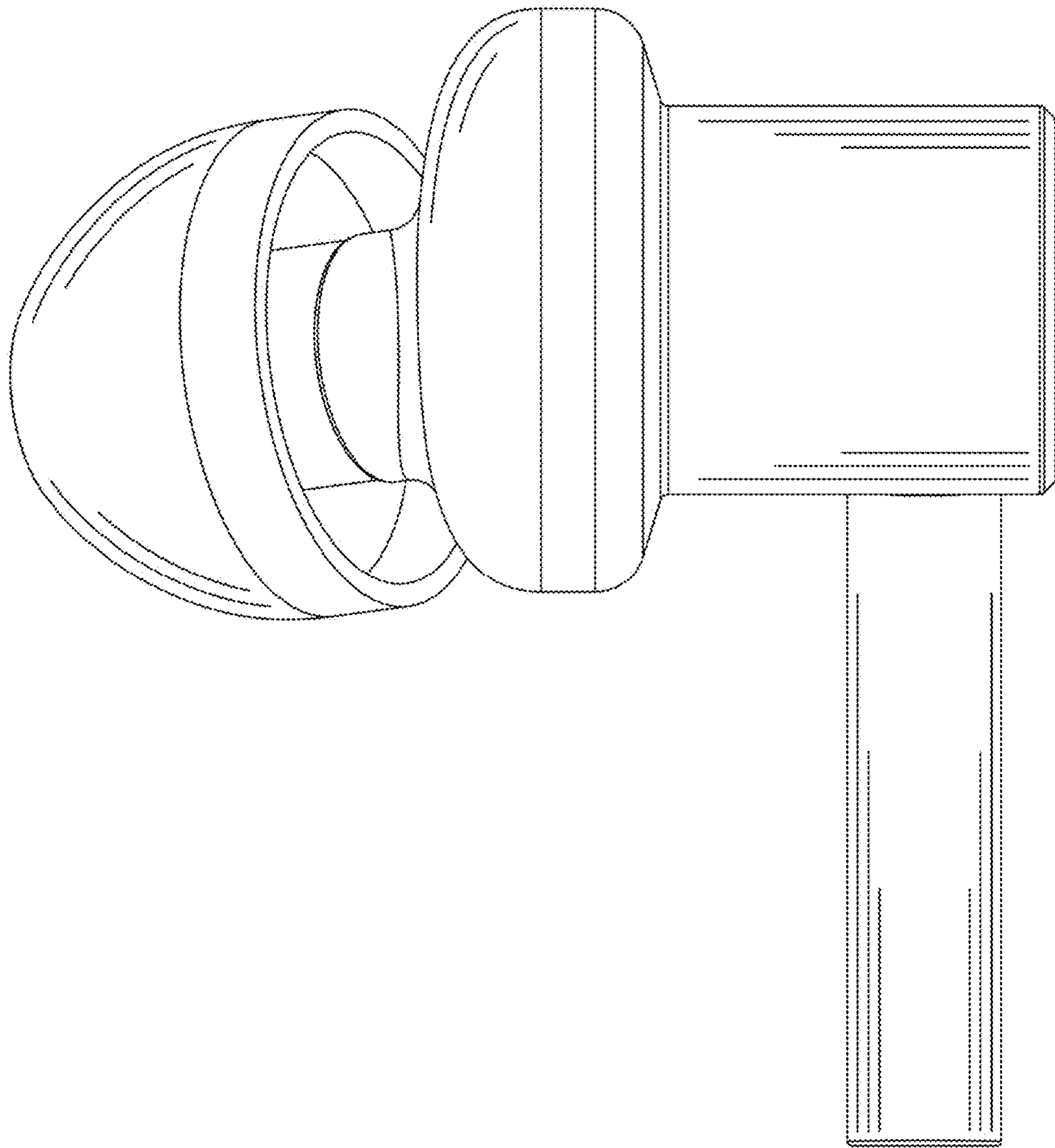


FIG. 4

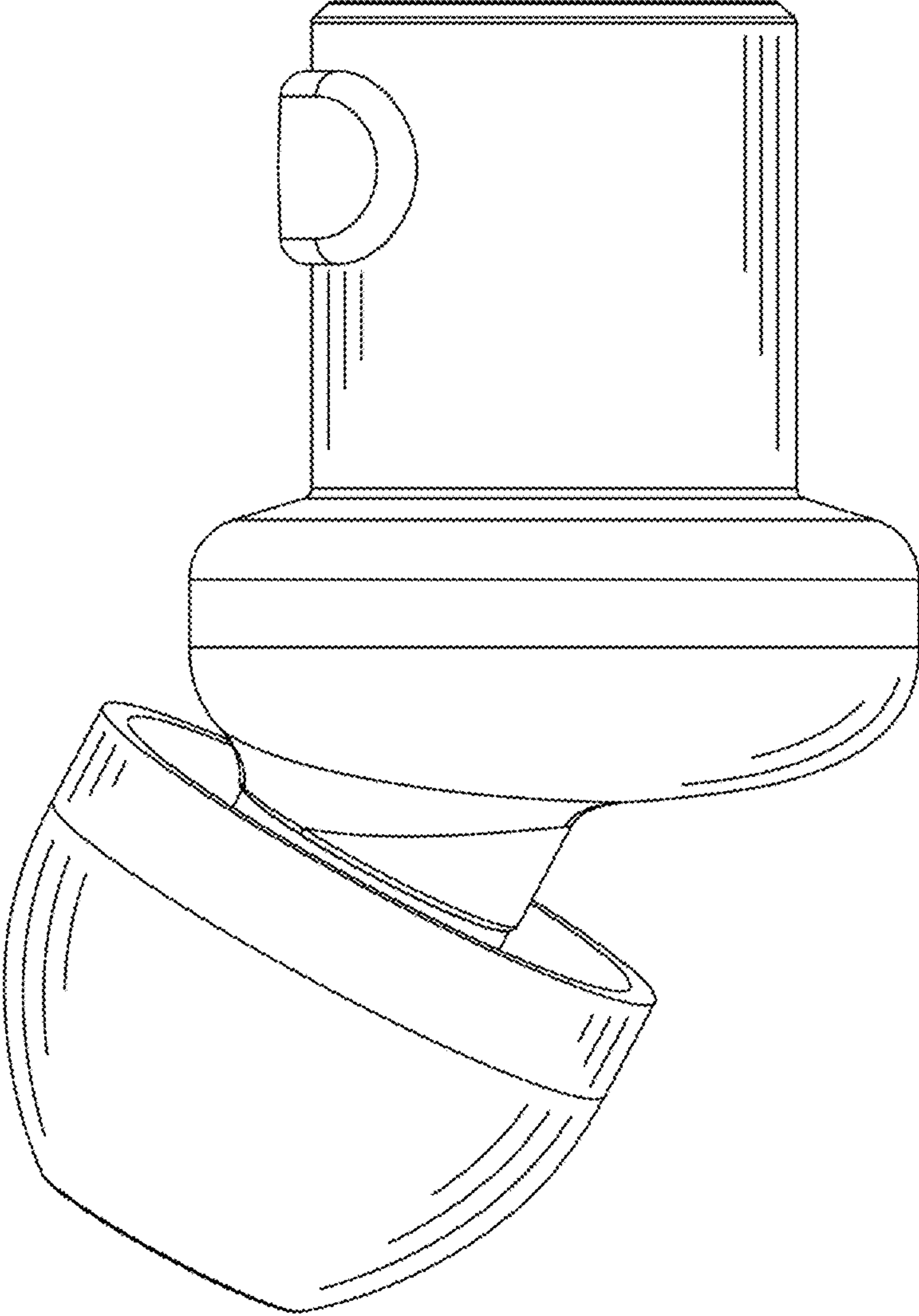


FIG. 5

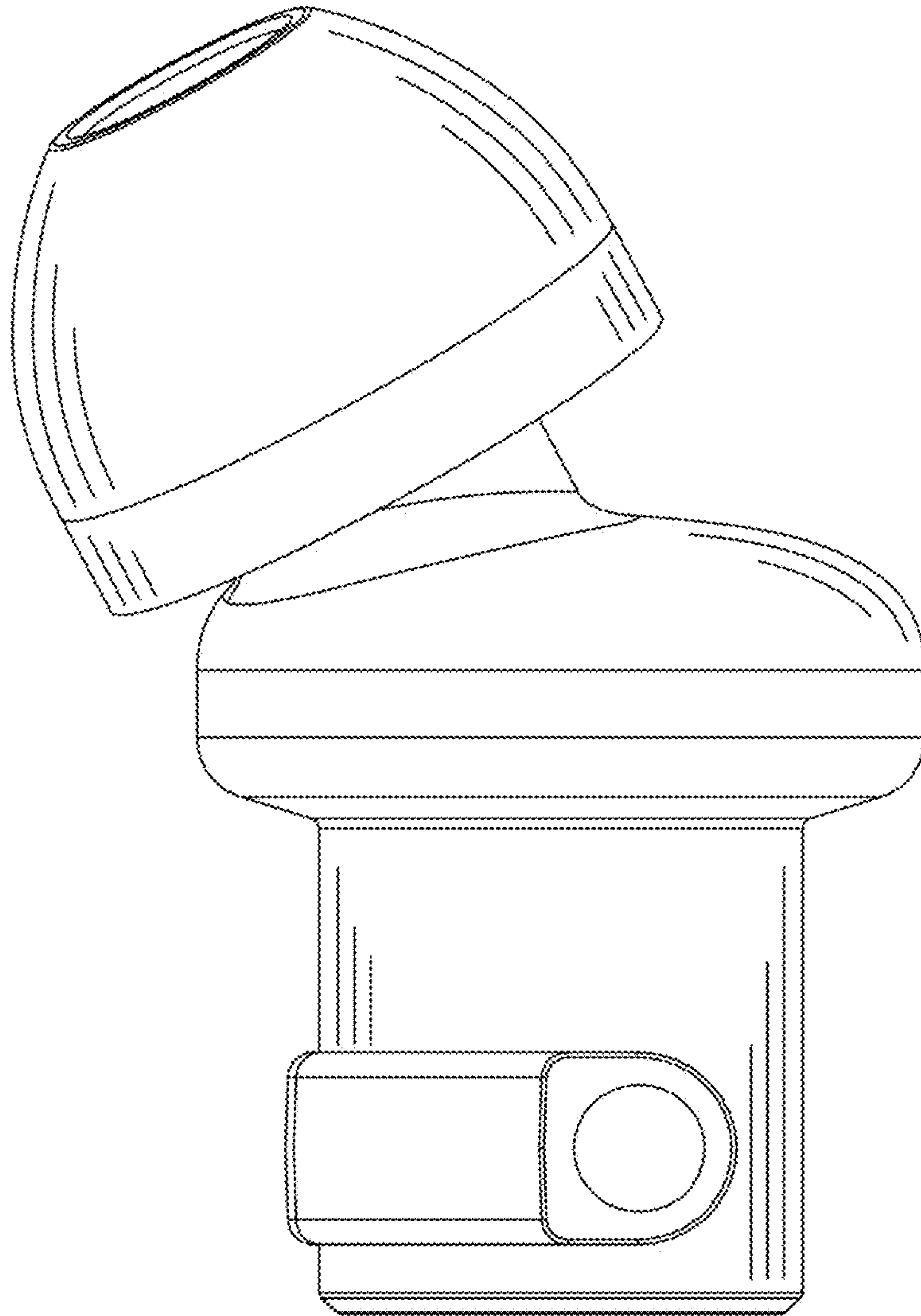


FIG. 6

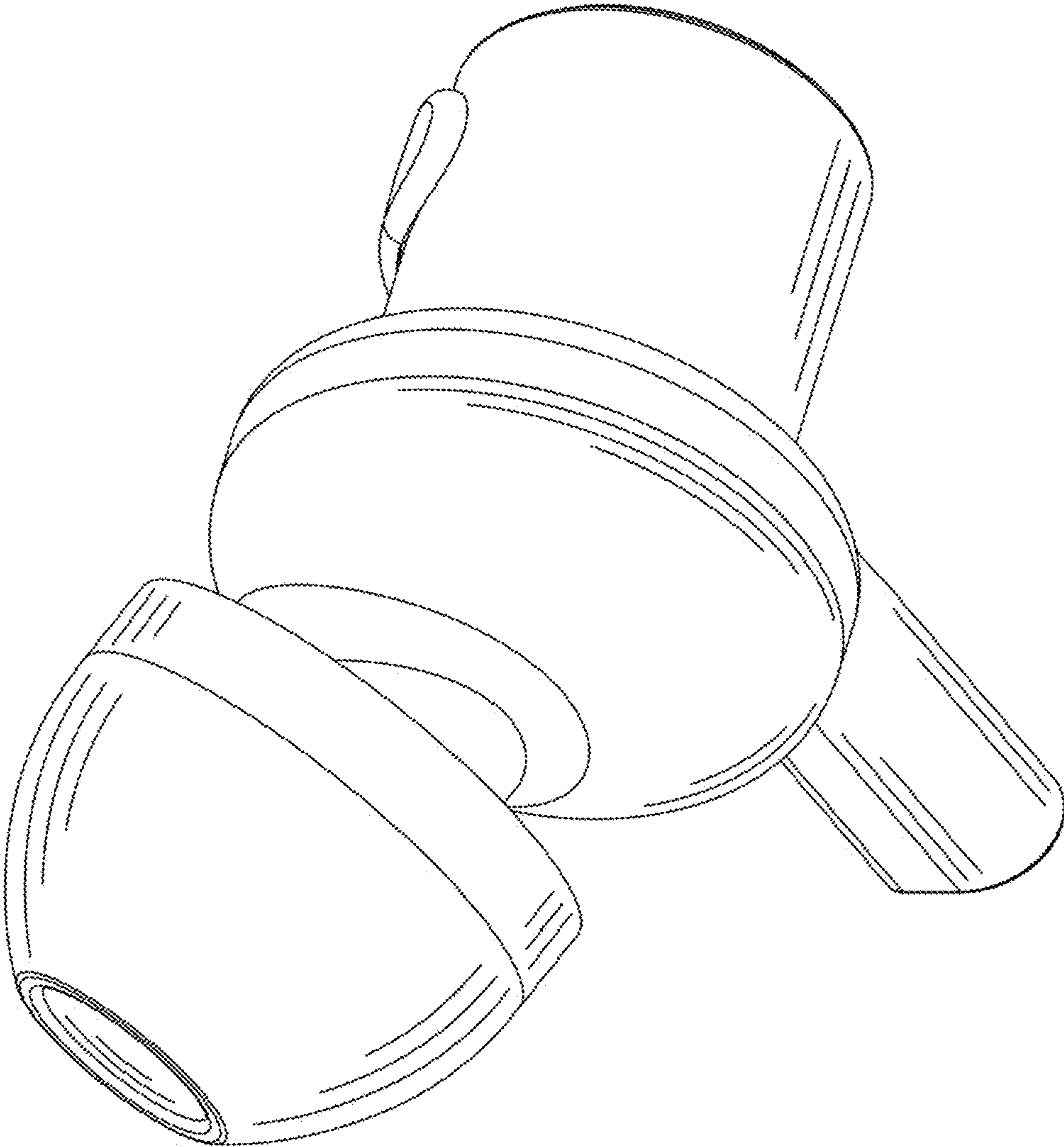


FIG. 7

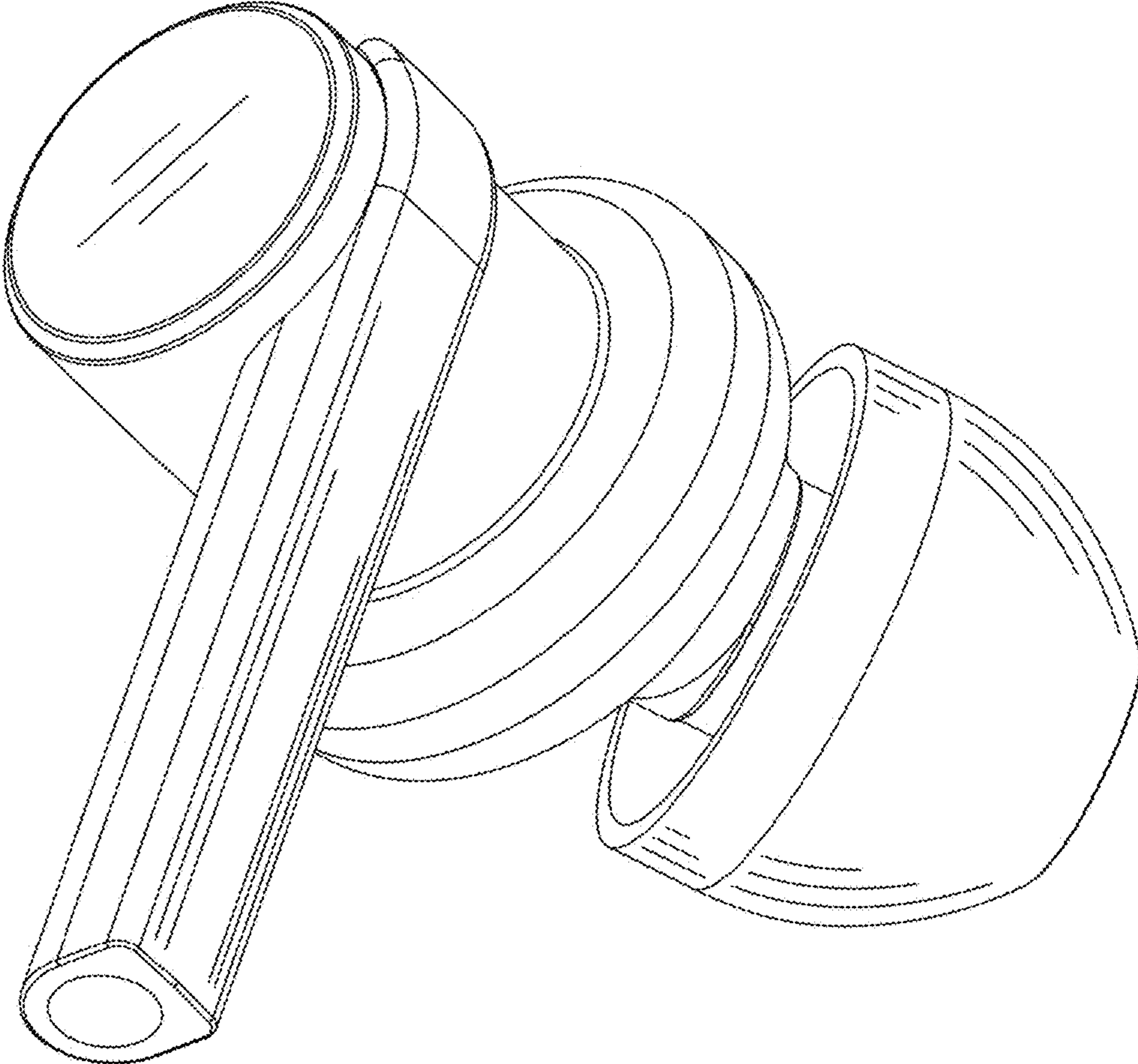


FIG. 8