



US00D778267S

(12) **United States Design Patent**  
**Hsieh et al.**

(10) **Patent No.:** **US D778,267 S**

(45) **Date of Patent:** **\*\* Feb. 7, 2017**

(54) **EARPHONE**

(71) Applicant: **1MORE INC.**, Shenzhen (CN)

(72) Inventors: **Kuanhong Hsieh**, Shenzhen (CN);  
**Boqing Lin**, Shenzhen (CN); **Xiaode Ye**, Shenzhen (CN)

(73) Assignee: **1MORE INC.**, Shenzhen (CN)

(\*\*) Term: **15 Years**

(21) Appl. No.: **29/539,897**

(22) Filed: **Sep. 18, 2015**

(30) **Foreign Application Priority Data**

Mar. 25, 2015 (CN) ..... 2015 3 0074028

(51) **LOC (10) Cl.** ..... **14-01**

(52) **U.S. Cl.**  
USPC ..... **D14/223**

(58) **Field of Classification Search**  
USPC D14/223, 205; 181/129, 130, 135; 379/430,  
379/431; 381/380, 381, 370, 199, 420,  
381/69; 455/90.3, 575.1, 569.1  
CPC ..... H04R 1/10; H04R 25/00; H04R 1/1016;  
H04R 1/1091  
See application file for complete search history.

(56) **References Cited**

**U.S. PATENT DOCUMENTS**

4,981,194 A *	1/1991	Kamon	.....	H04R 1/08 181/129
5,410,608 A *	4/1995	Lucey	.....	H04R 1/083 381/360
D431,553 S *	10/2000	Suzuki	.....	D14/223
6,386,314 B1 *	5/2002	Sheehan	.....	A61B 5/12 181/129
D487,077 S *	2/2004	Obata	.....	D14/223
D517,054 S *	3/2006	Yang	.....	D14/205

D531,169 S *	10/2006	Tokioka	.....	D14/223
D539,268 S *	3/2007	Suzuki	.....	D14/206
D554,627 S *	11/2007	Gondo	.....	D14/223
D558,735 S *	1/2008	Carr	.....	D14/206
D566,099 S *	4/2008	Komiyama	.....	D14/206
D567,217 S *	4/2008	Kamo	.....	D14/205
D572,703 S *	7/2008	Ledbetter	.....	D14/205
D573,978 S *	7/2008	Ledbetter	.....	D14/205
D576,154 S *	9/2008	Ledbetter	.....	D14/223
D587,681 S *	3/2009	Yanai	.....	D14/205
D591,264 S *	4/2009	Hong	.....	D14/205
D598,901 S *	8/2009	Lee	.....	D14/223
D599,785 S *	9/2009	Matsuda	.....	D14/205
D605,636 S *	12/2009	Yang	.....	D14/223
D626,117 S *	10/2010	Lowry	.....	D14/223
D628,193 S *	11/2010	Zheng	.....	D14/223
D632,677 S *	2/2011	Brown	.....	D14/223
D635,558 S *	4/2011	Zheng	.....	D14/206
D641,010 S *	7/2011	Kwon	.....	D14/223
D641,011 S *	7/2011	Gondo	.....	D14/206

(Continued)

*Primary Examiner* — Paula Greene

(74) *Attorney, Agent, or Firm* — HoustonHogle LLP

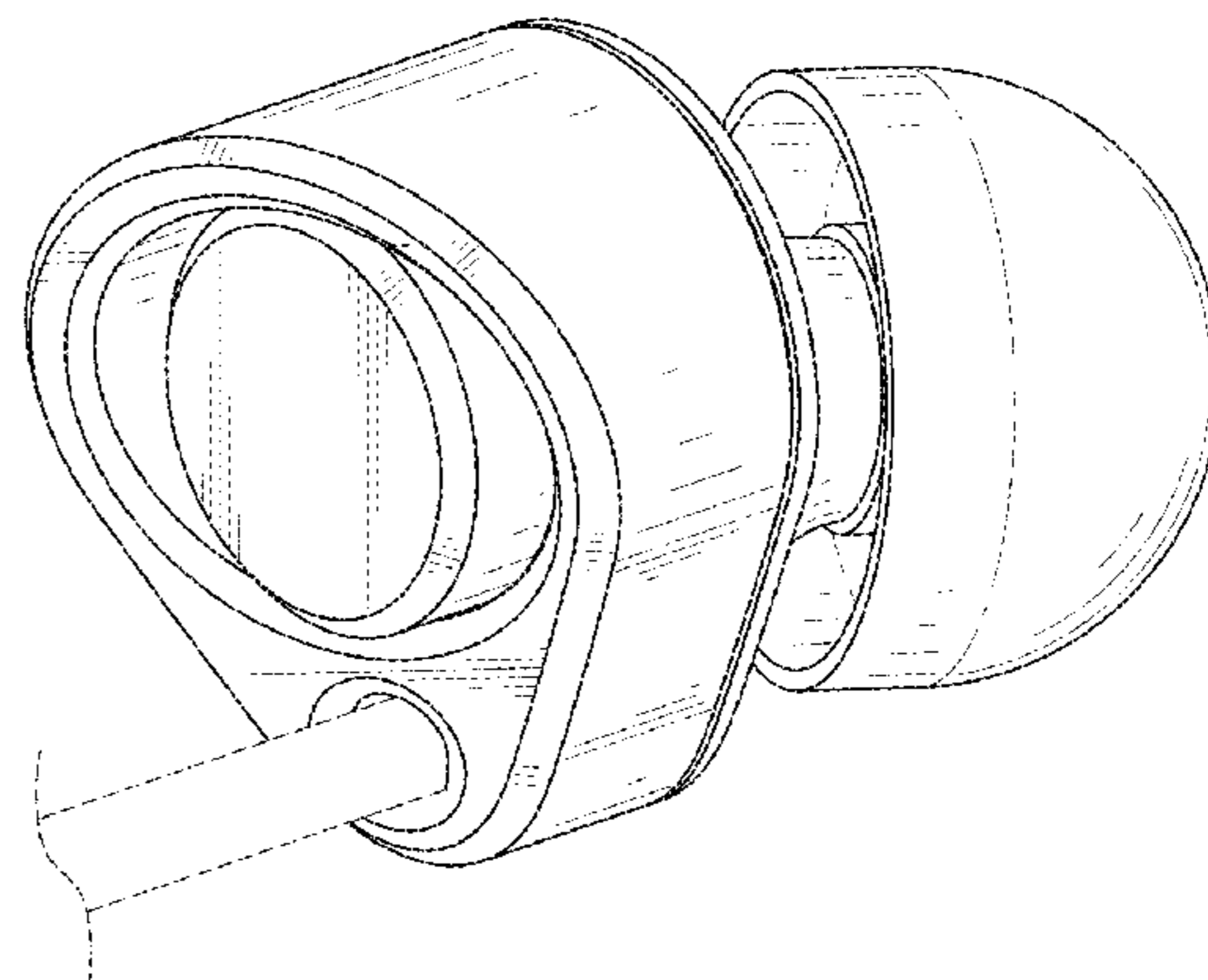
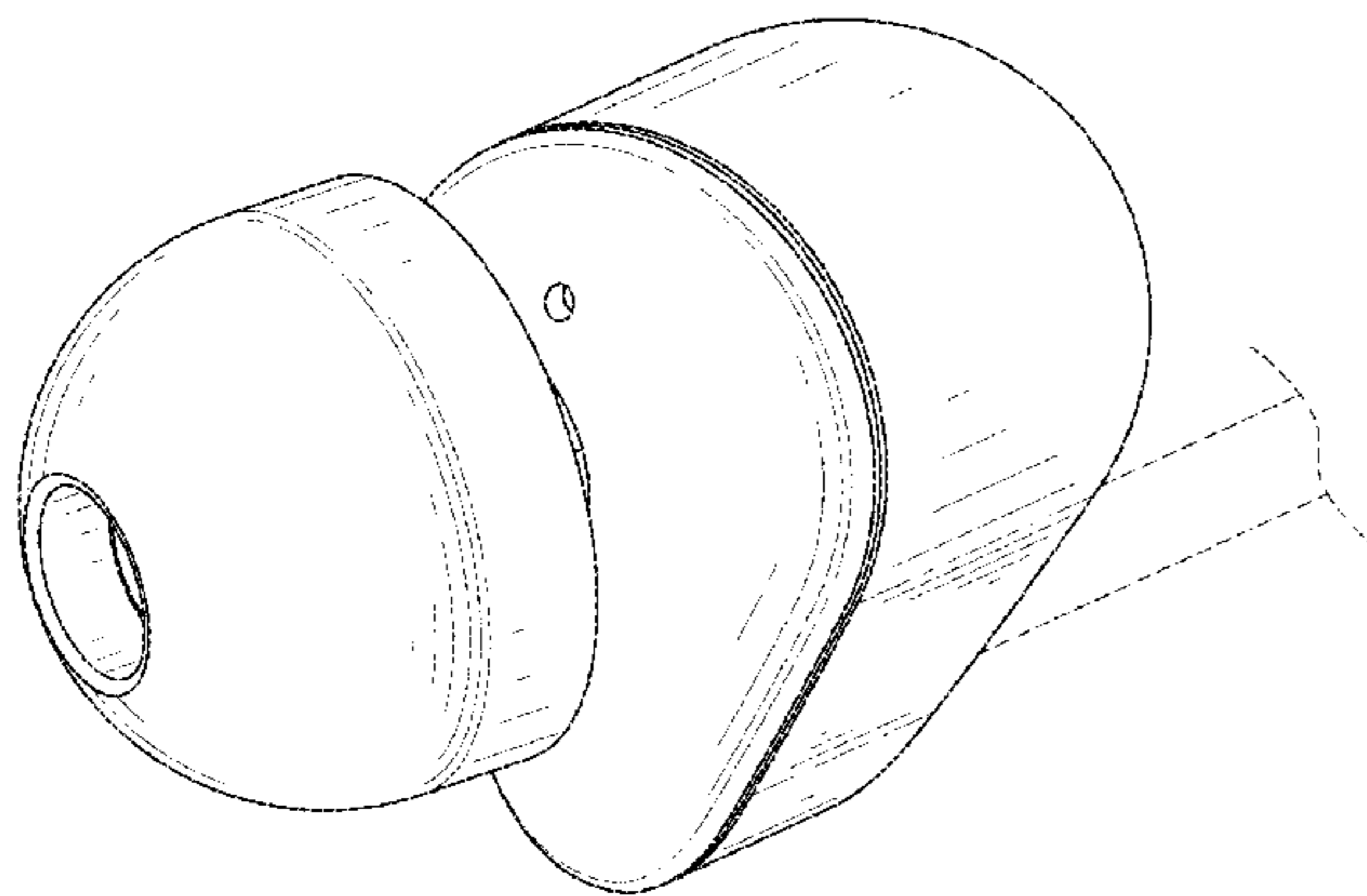
(57) **CLAIM**

The ornamental design for an earphone, as shown and described.

**DESCRIPTION**

FIG. 1 is a front elevational view of an earphone showing a new design;  
FIG. 2 is a rear elevational view thereof;  
FIG. 3 is a left-side elevational view thereof;  
FIG. 4 is a right-side elevational view thereof;  
FIG. 5 is a top plan view thereof;  
FIG. 6 is a bottom plan view thereof;  
FIG. 7 is a perspective view thereof; and,  
FIG. 8 is another perspective view thereof.  
The broken lines show portions of the earphone that form no part of the claimed design.

**1 Claim, 8 Drawing Sheets**



(56)

References Cited

U.S. PATENT DOCUMENTS

D643,414 S *	8/2011	Lee	D14/205	D712,882 S *	9/2014	Wang	D14/223
D647,081 S *	10/2011	Kwon	D14/223	8,831,266 B1 *	9/2014	Huang	H04R 1/1091
D653,235 S *	1/2012	McManigal	D14/205				381/370
8,111,861 B2 *	2/2012	Lowry	H04R 1/1016	D718,284 S *	11/2014	Shibusawa	D14/223
			181/135	D718,286 S *	11/2014	Yang	D14/223
D668,244 S *	10/2012	Matsumura	D14/223	D725,082 S *	3/2015	Palmborg	D14/223
D678,251 S *	3/2013	Cantoni	D14/223	D732,508 S *	6/2015	Funayama	D14/223
D679,267 S *	4/2013	Lee	D14/223	D732,509 S *	6/2015	Brunner	D14/223
D680,102 S *	4/2013	Chen	D14/223	D733,101 S *	6/2015	Pi	D14/223
D683,332 S *	5/2013	Lee	D14/223	D735,169 S *	7/2015	Shieh	D14/223
D686,597 S *	7/2013	Lee	D14/223	D739,851 S *	9/2015	Donohue, II	D14/223
D697,058 S *	1/2014	Thompson	D14/205	D741,287 S *	10/2015	Harata	D14/205
8,660,287 B2 *	2/2014	Stephenson	H04R 1/1033	D742,860 S *	11/2015	Miyake	D14/223
			381/370	D746,268 S *	12/2015	Karayiannis	D14/223
D701,195 S *	3/2014	Katsumata	D14/223	D746,792 S *	1/2016	Kim	D14/205
8,712,087 B2 *	4/2014	Ozawa	H04R 1/345	D762,196 S *	7/2016	Hsieh	D14/223
			181/130	D762,616 S *	8/2016	Hsieh	D14/205
D707,652 S *	6/2014	Brunner	D14/205	2011/0211723 A1 *	9/2011	Annunziato	H04R 1/2842
D710,334 S *	8/2014	Yang	D14/223				381/380
D711,356 S *	8/2014	Yang	D14/223	2012/0087532 A1 *	4/2012	Yang	H04R 1/10
							381/380
				2014/0140561 A1 *	5/2014	Lee	H04R 1/1016
							381/370

\* cited by examiner

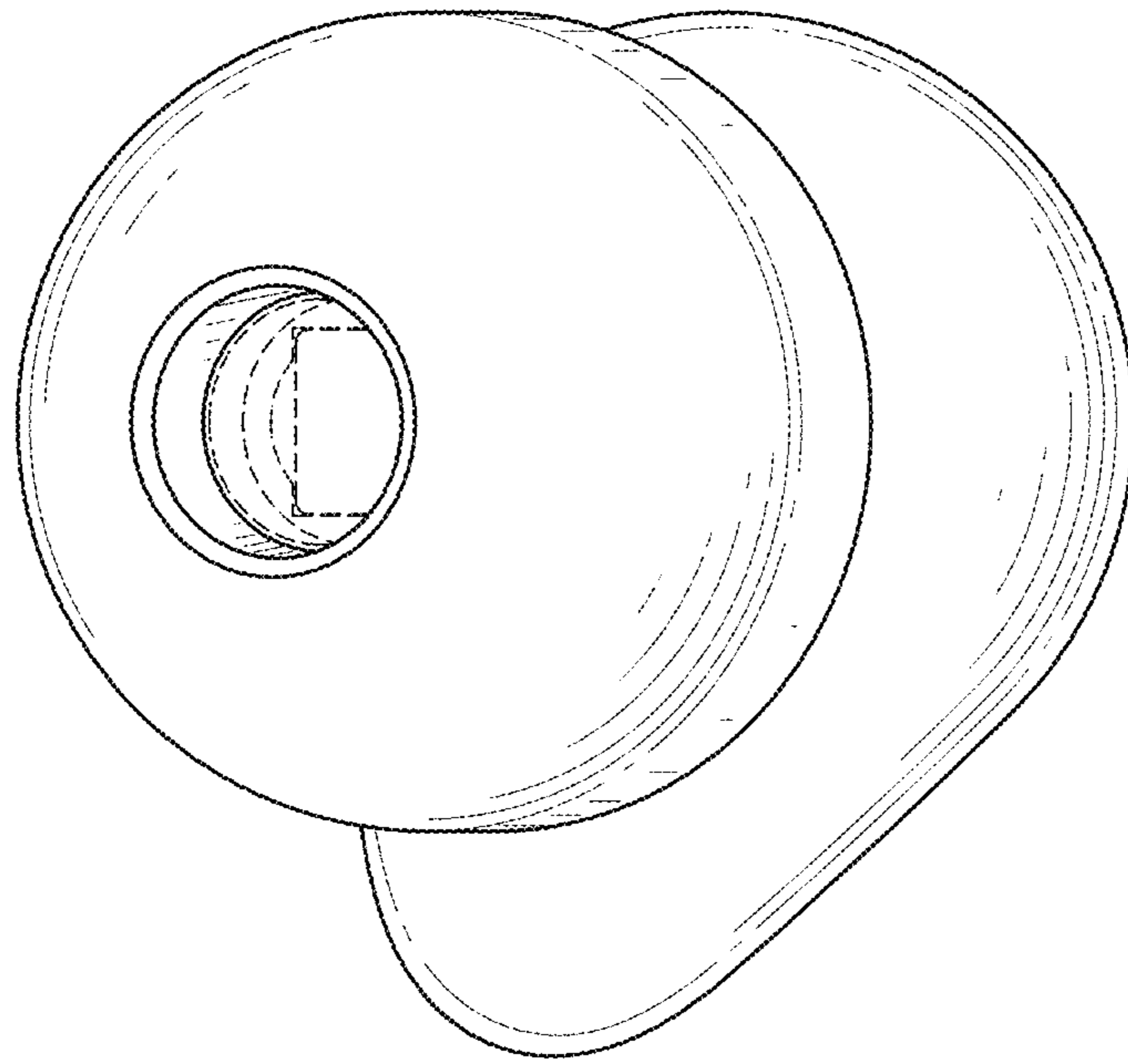


FIG. 1

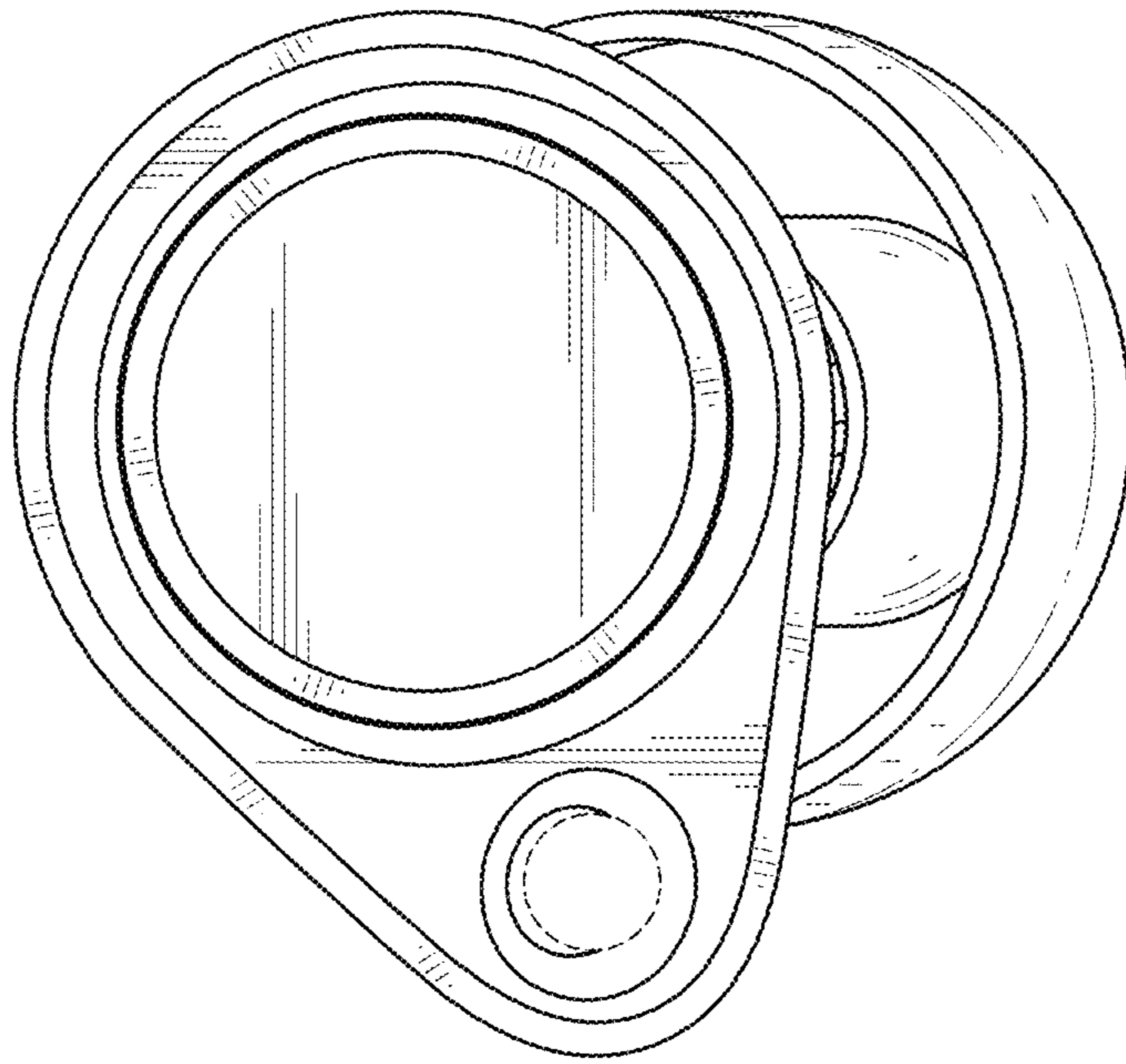


FIG. 2

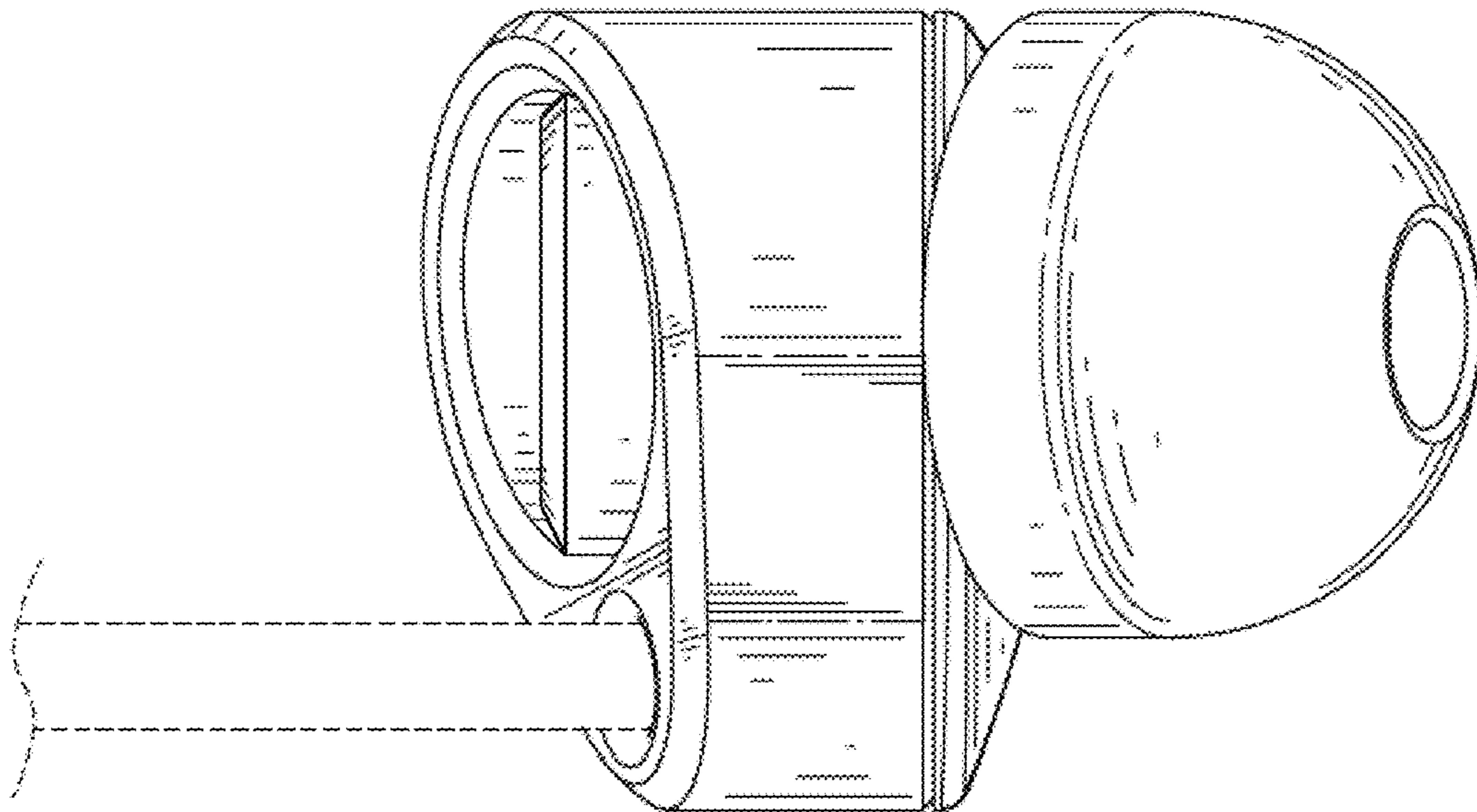


FIG. 3

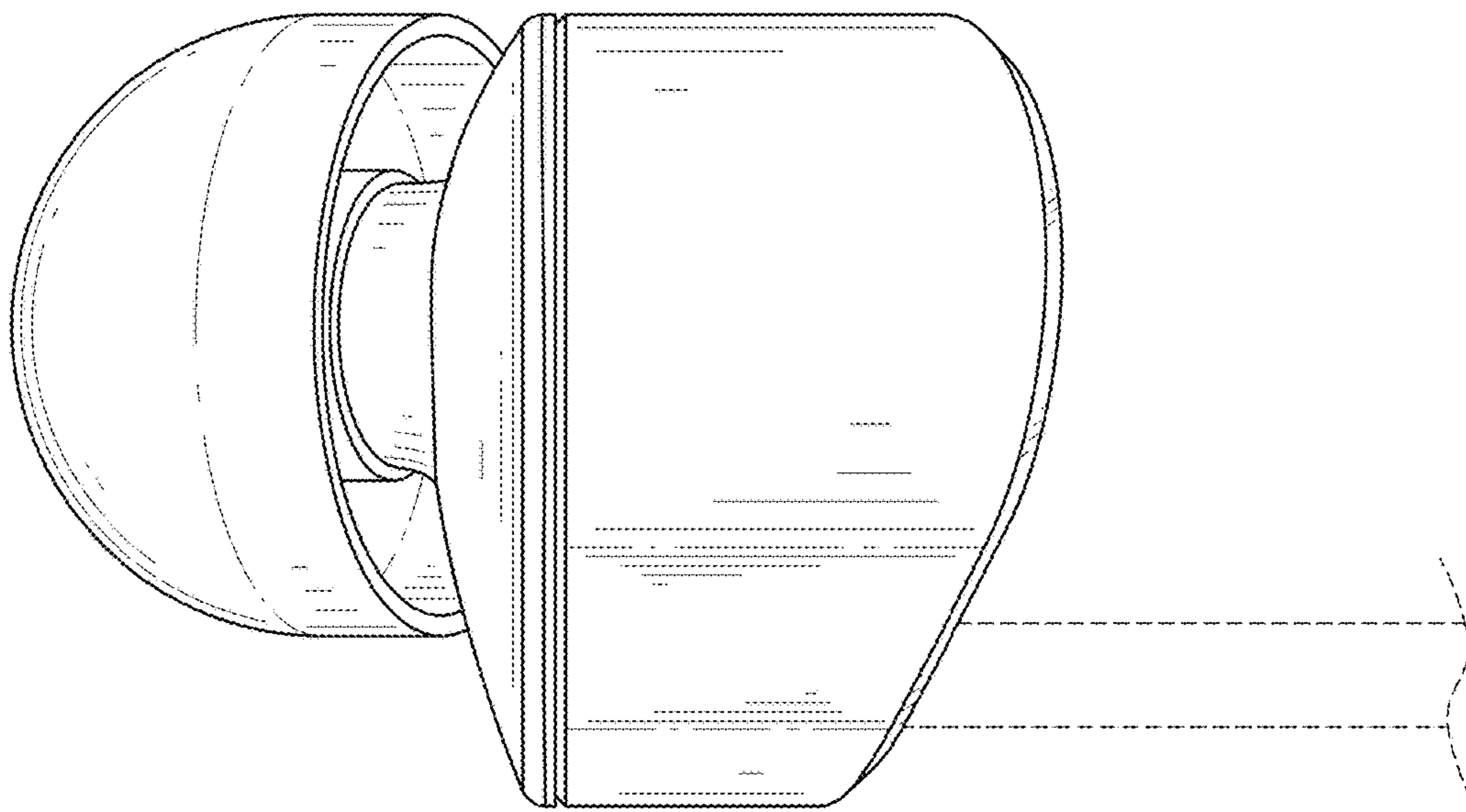


FIG. 4

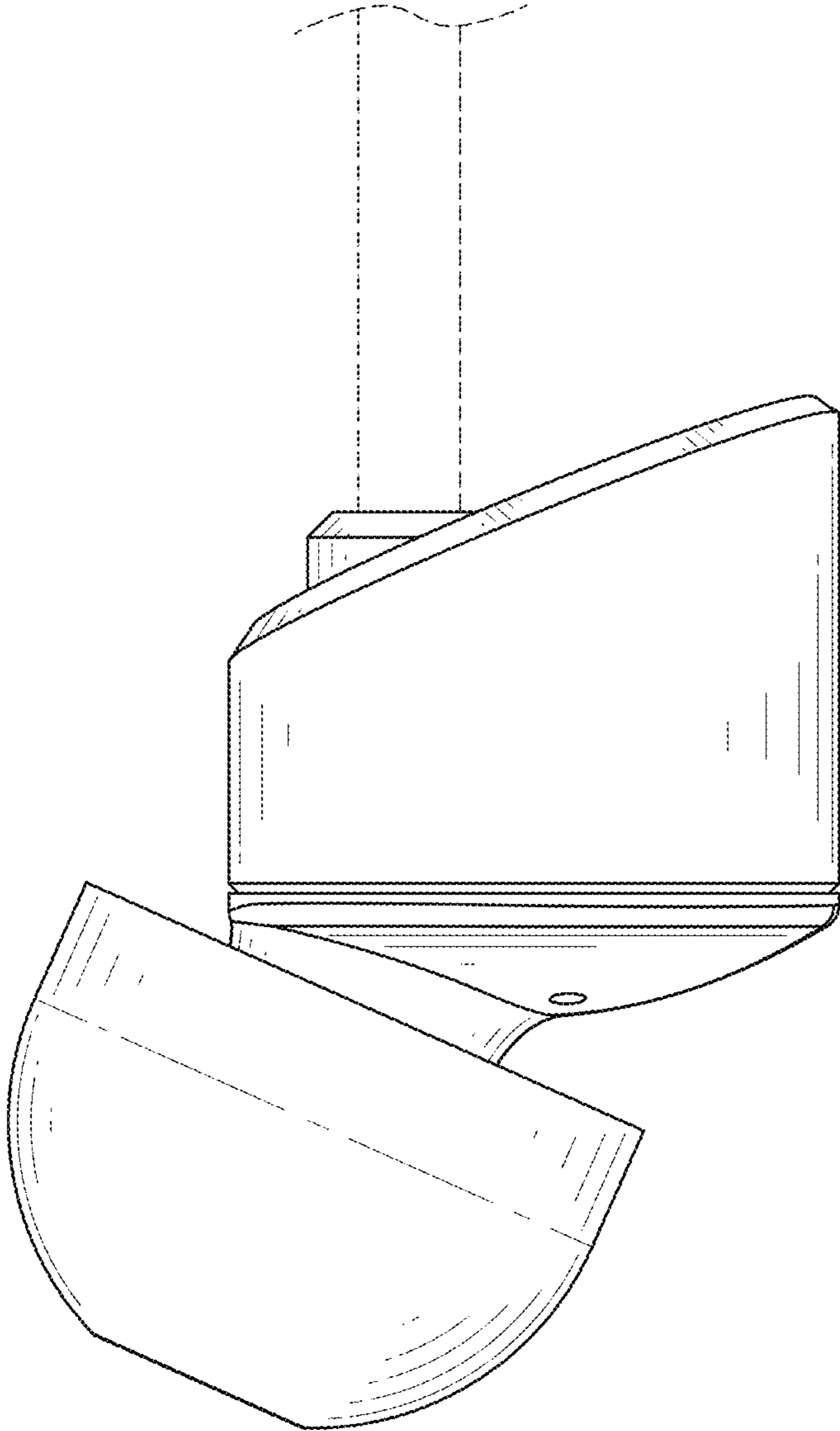


FIG. 5

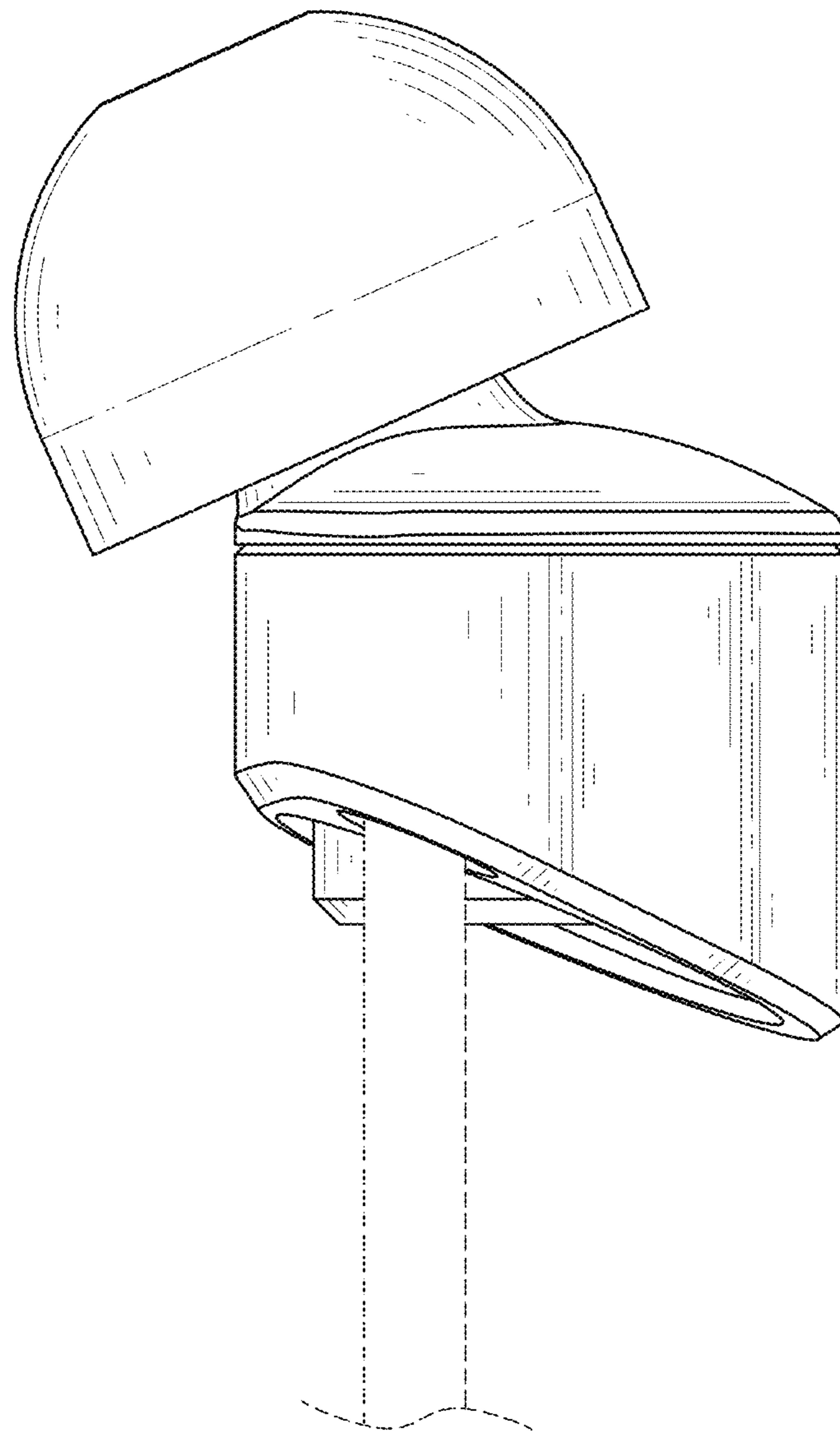


FIG. 6



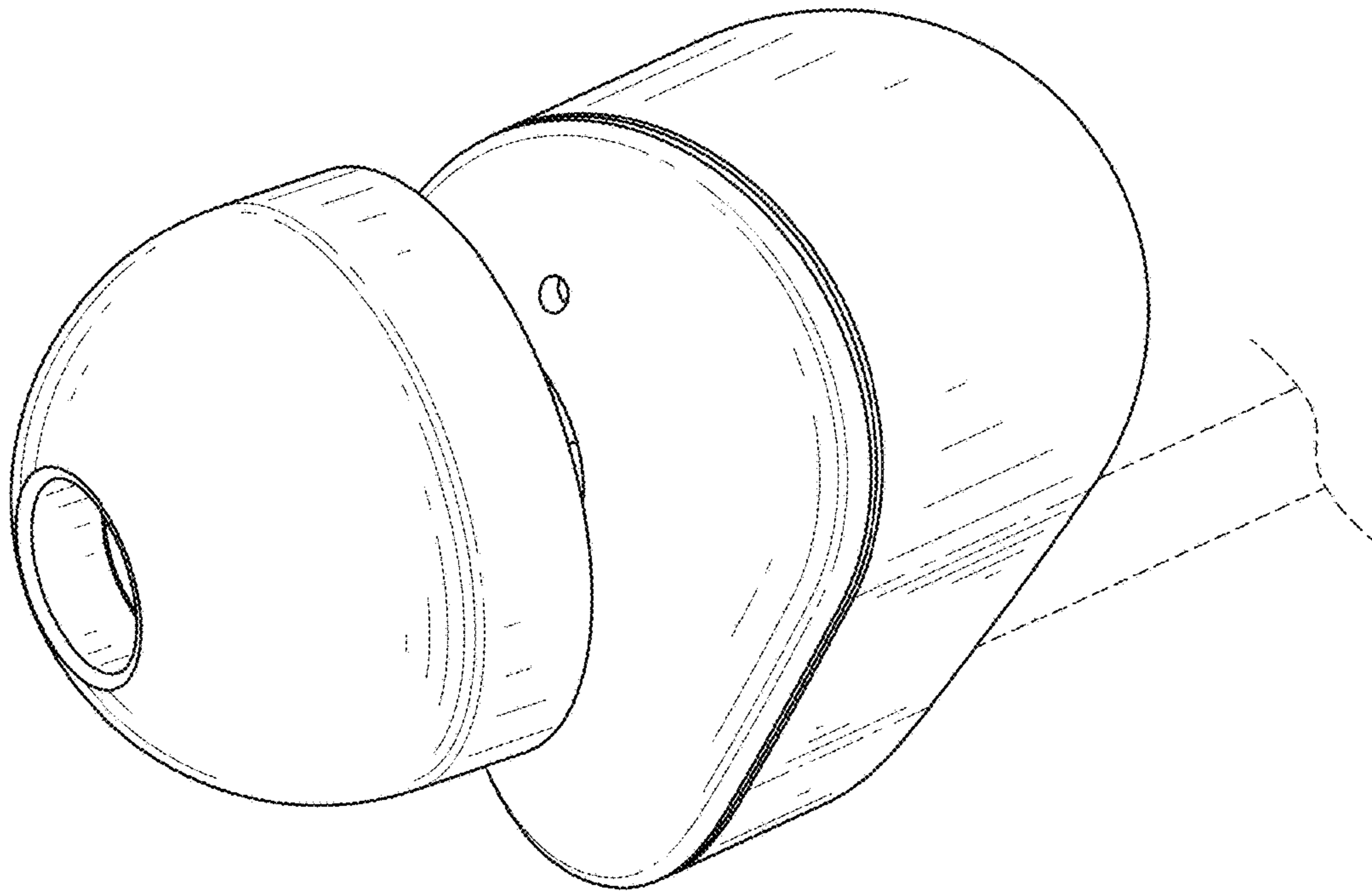


FIG. 7

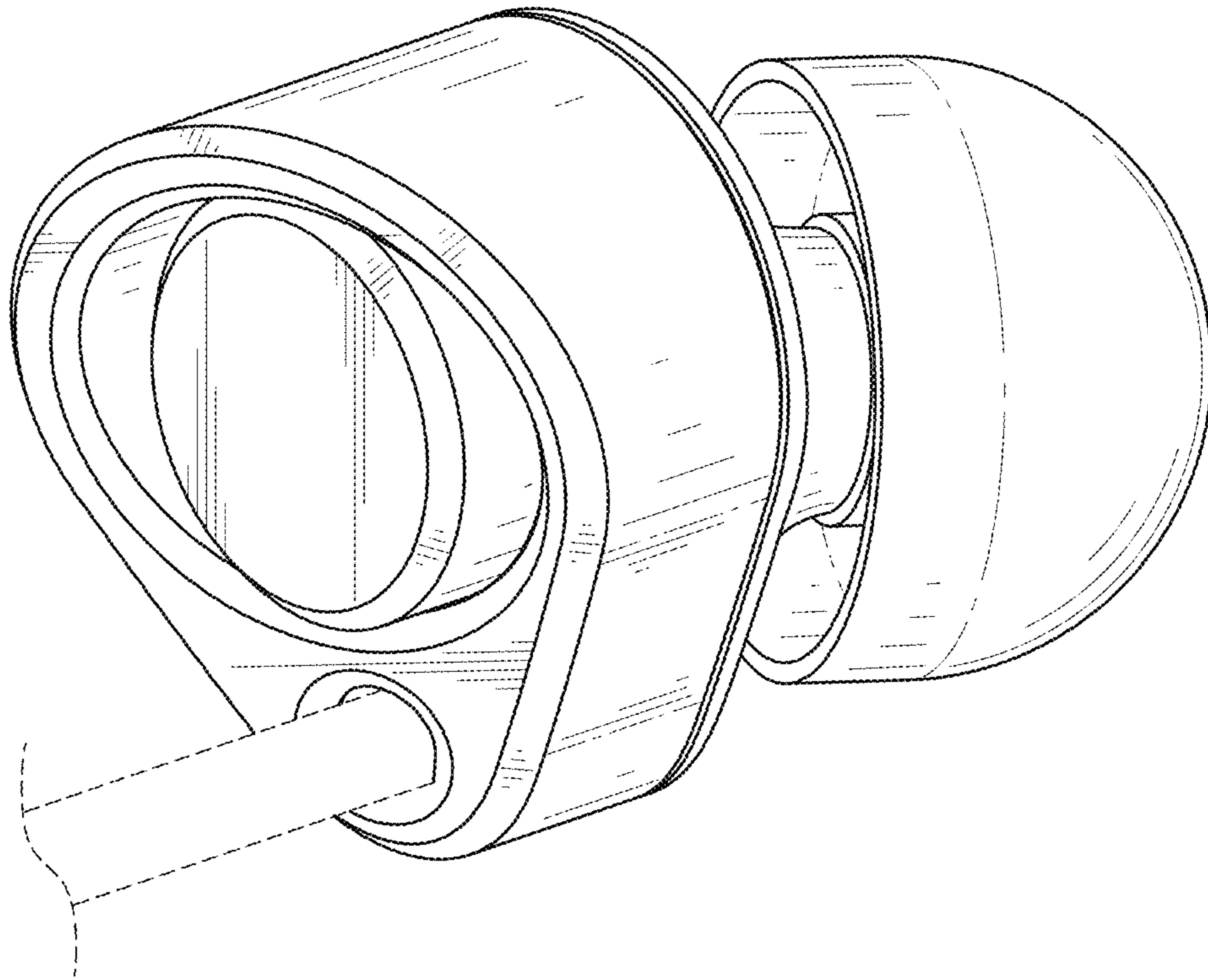


FIG. 8