



US00D778266S

(12) **United States Design Patent** (10) **Patent No.:** **US D778,266 S**  
**Maier et al.** (45) **Date of Patent:** **\*\* Feb. 7, 2017**

(54) **REMOTE CONTROL**  
(71) Applicant: **fm marketing gmbh**, Neumarkt am Wallersee (AT)  
(72) Inventors: **Ferdinand Maier**, Neumarkt am Wallersee (AT); **Erwin Weitgasser**, Salzburg (AT)  
(73) Assignee: **fm marketing gmbh**, Neumarkt am Wallersee (AU)  
(\*\*) Term: **15 Years**

D661,688 S \* 6/2012 Weitgasser ..... D14/218  
D661,689 S \* 6/2012 Weitgasser ..... D14/218  
D661,690 S \* 6/2012 Weitgasser ..... D14/218  
D663,289 S \* 7/2012 Murchison ..... D14/218  
D687,815 S \* 8/2013 Hwangho ..... D14/218  
D722,306 S \* 2/2015 Jang ..... D14/218  
D726,692 S \* 4/2015 Peh ..... D14/218

(Continued)

**FOREIGN PATENT DOCUMENTS**

CN 303012020 \* 11/2014  
CN 303169302 \* 4/2015  
EM 002346106-0001 \* 5/2014

(21) Appl. No.: **29/535,935**  
(22) Filed: **Aug. 12, 2015**  
(30) **Foreign Application Priority Data**  
May 27, 2015 (EP) ..... 002708263-0001  
(51) **LOC (10) Cl.** ..... **14-03**  
(52) **U.S. Cl.**  
USPC ..... **D14/218**  
(58) **Field of Classification Search**  
USPC ..... D14/218; D13/168  
CPC ..... A61L 2/10; G06F 3/033; G09G 5/08;  
G08C 19/12; G08C 17/02; G08G 5/08  
See application file for complete search history.

**OTHER PUBLICATIONS**

Amazon.com: Brand New Remote Control for Bose Wave Radio, review date May 31, 2014, [https://www.amazon.com/Remote-Control-Radio-Awr1-1w-Awr11w/dp/B00ICZCSQY/ref=sr\\_1\\_76?ie=UTF8&qid=1472248289&sr=8-76](https://www.amazon.com/Remote-Control-Radio-Awr1-1w-Awr11w/dp/B00ICZCSQY/ref=sr_1_76?ie=UTF8&qid=1472248289&sr=8-76) &keywords=fm+remote+control, [site visited Aug. 26, 2016 5:52:49 PM].\*

*Primary Examiner* — John Windmuller  
*Assistant Examiner* — John R Yeh  
(74) *Attorney, Agent, or Firm* — Senniger Powers LLP

(57) **CLAIM**

The ornamental design for a remote control, as shown and described.

(56) **References Cited**

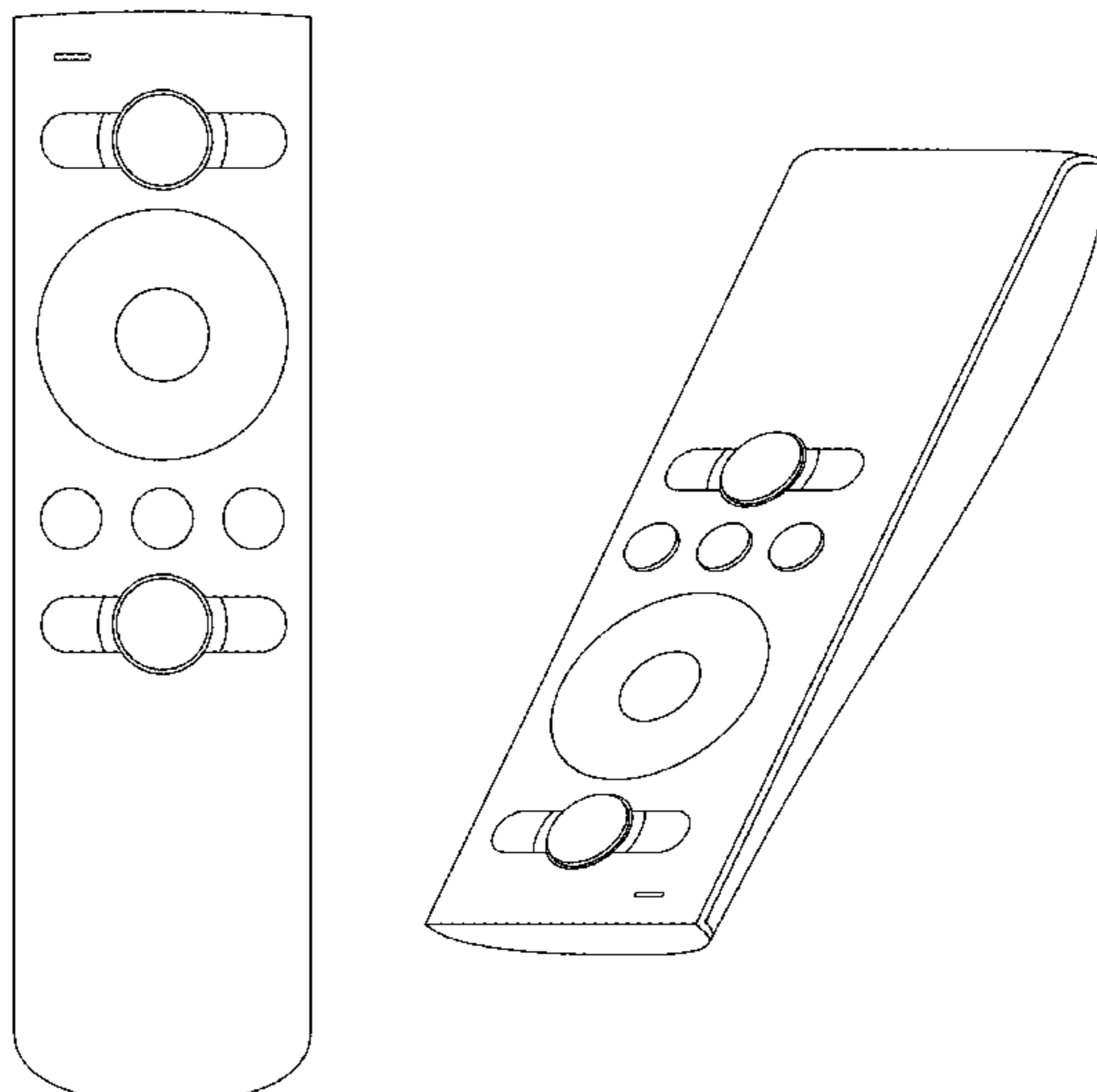
**U.S. PATENT DOCUMENTS**

D450,662 S \* 11/2001 Kwok ..... D13/168  
D451,076 S \* 11/2001 Sommer ..... D13/168  
D519,989 S \* 5/2006 Wu ..... D14/218  
D531,136 S \* 10/2006 Schoenert ..... D13/168  
D531,587 S \* 11/2006 Poulet ..... D13/168  
D567,804 S \* 4/2008 Yan ..... D14/218  
D594,850 S \* 6/2009 Yan ..... D14/218  
D607,846 S \* 1/2010 Daniels ..... D13/168  
D611,433 S \* 3/2010 Tang ..... D13/168  
D631,853 S \* 2/2011 Choi ..... D13/168  
D656,488 S \* 3/2012 Nakayama ..... D14/218

**DESCRIPTION**

FIG. 1 is a front elevation view for a remote control of the present invention;  
FIG. 2 is a rear elevation view thereof;  
FIG. 3 is a side elevation view, the right and left side views being mirror images thereof;  
FIG. 4 is a top plan view thereof;  
FIG. 5 is a bottom plan view thereof; and,  
FIG. 6 is a perspective view thereof.

**1 Claim, 5 Drawing Sheets**



(56)

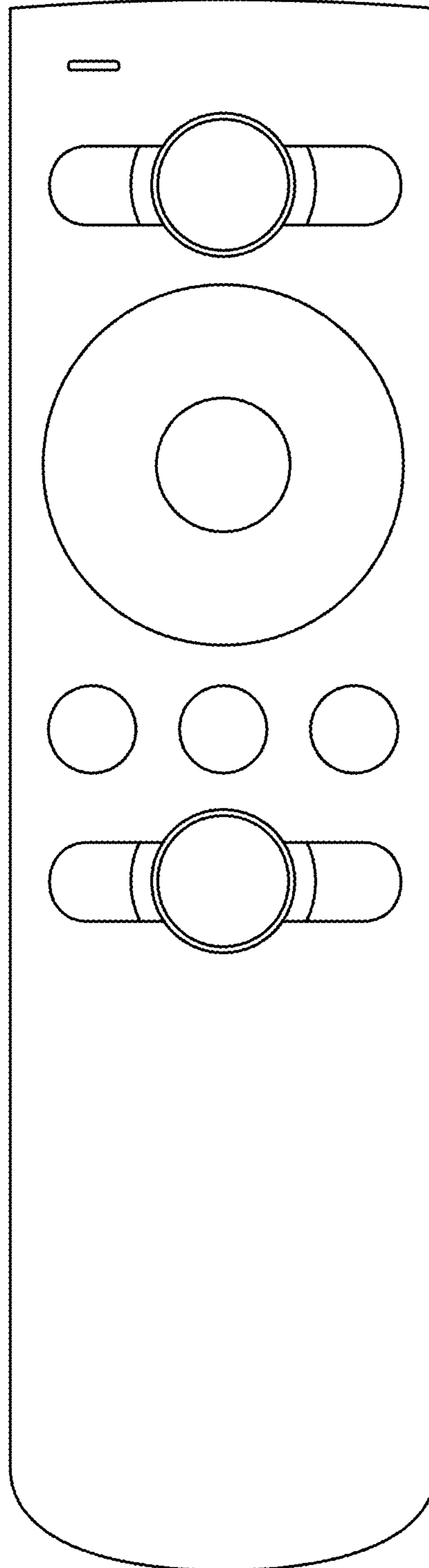
**References Cited**

U.S. PATENT DOCUMENTS

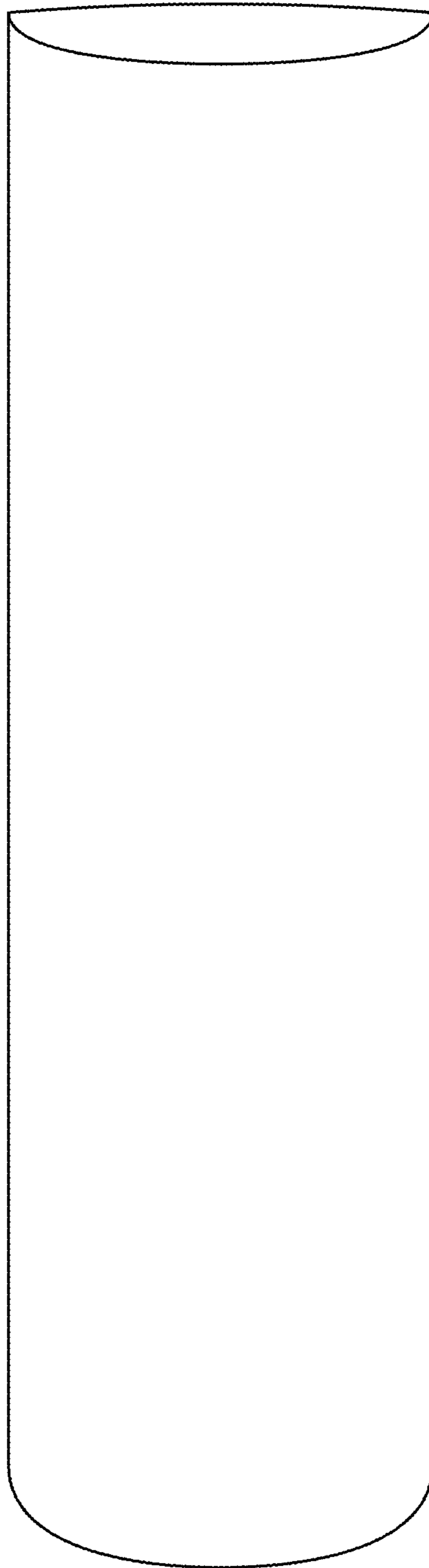
D730,875	S *	6/2015	McManigal	.....	D14/218
D752,025	S *	3/2016	Akana	.....	D14/218
D752,555	S *	3/2016	Langhammer	.....	D14/218
D756,969	S *	5/2016	Kim	.....	D14/218
2010/0310914	A1 *	12/2010	Maier	.....	H01H 9/0235
					429/97
2013/0154923	A1 *	6/2013	Mock	.....	G06F 3/0236
					345/157

\* cited by examiner

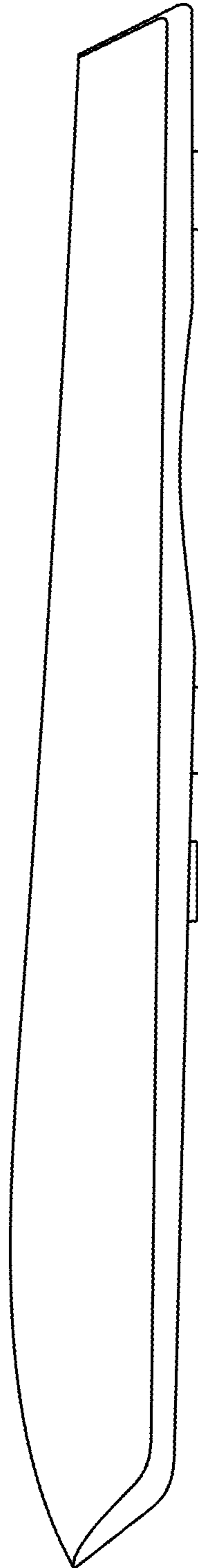
Fig. 1



**Fig. 2**



**Fig. 3**



**Fig. 4**



**Fig. 5**

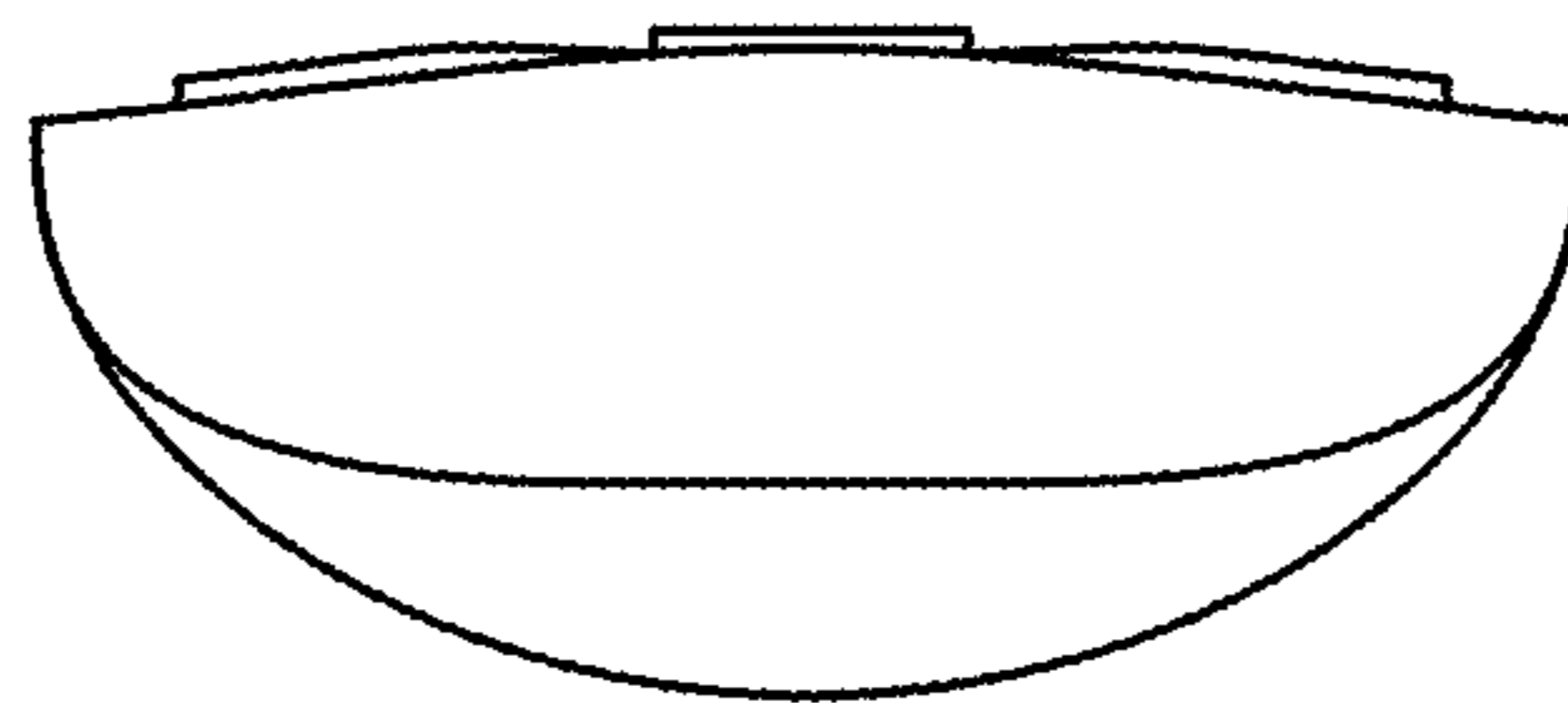


Fig. 6

