



US00D778264S

(12) **United States Design Patent** (10) **Patent No.:** **US D778,264 S**
Stapelbroek et al. (45) **Date of Patent:** **** Feb. 7, 2017**

(54) **AUDIO CONTROL DEVICE**

FOREIGN PATENT DOCUMENTS

(71) Applicant: **KINGSTON DIGITAL, INC.**,
Fountain Valley, CA (US)

EM 000433586-001 * 2/2006
JP D1101289 * 2/2001
JP D1103276 * 3/2001

(72) Inventors: **Christian Stapelbroek**, Wuppertal
(DE); **Yi-Ting Lin**, Hsinchu (TW);
Yu-kuo Huang, Hsinchu (TW); **Peter
Leekuo Chou**, Fountain Valley, CA
(US)

OTHER PUBLICATIONS

Amazon.com: Koss VC20 Volume Control: Volume Control, review
date Mar. 17, 2009, https://www.amazon.com/Koss-155954-VC20-Volume-Control/dp/B00001P4XH/ref=sr_1_228?ie=UTF8&qid=1473816952&sr=8-228&keywords=audio+controller, site
visited [Sep. 13, 2016 9:37:36 PM].*

(73) Assignee: **Kingston Digital, Inc.**, Fountain Valley,
CA (US)

(Continued)

(**) Term: **15 Years**

Primary Examiner — John Windmuller

(21) Appl. No.: **29/533,710**

Assistant Examiner — John R Yeh

(22) Filed: **Jul. 21, 2015**

(74) *Attorney, Agent, or Firm* — Skaar Ulbrich Macari,
P.A.

(51) **LOC (10) Cl.** **14-03**

(57) **CLAIM**

(52) **U.S. Cl.**
USPC **D14/218**

We claim the ornamental design for an audio control device,
as shown and described.

(58) **Field of Classification Search**
USPC D14/218, 188, 225, 205, 155; D13/168;
D21/566, 333; D10/104.1, 106.2;
D15/199
CPC A61L 2/10; G06F 3/033; G09G 5/08;
G08C 19/12; G08C 17/02; G08G
5/08; H05K 5/03; H04B 10/00; H01H
9/02

DESCRIPTION

See application file for complete search history.

FIG. 1 is a front, bottom perspective view of an audio control device showing the claimed design;
FIG. 2 is a front elevational view thereof;
FIG. 3 is a rear elevational view thereof;
FIG. 4 is a left side elevational view thereof;
FIG. 5 is a right side elevational view thereof;
FIG. 6 is a top plan view thereof;
FIG. 7 is a bottom plan view thereof;
FIG. 8 is a front, bottom perspective view showing the claimed design in a second usage state;
FIG. 9 is a rear, bottom perspective view of the claimed design; and,
FIG. 10 is a rear, bottom perspective view of the claimed design in a third usage state.
The broken lines in the figures represent portions of the audio control device that form no part of the claimed design.

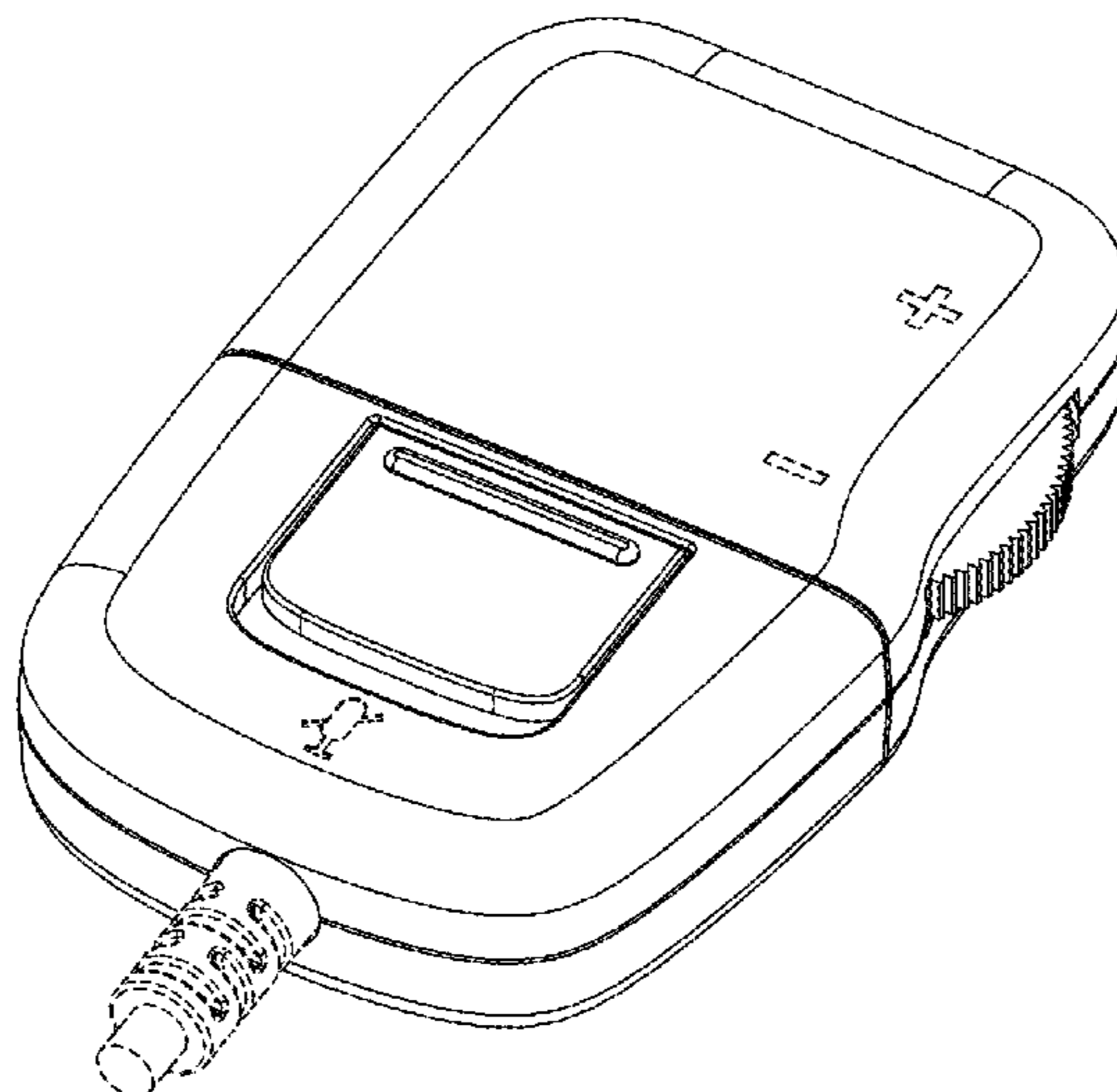
(56) **References Cited**

U.S. PATENT DOCUMENTS

D248,566 S * 7/1978 Gorke 128/904
D255,882 S * 7/1980 Kim D10/121
D263,709 S * 4/1982 Ando D14/155
D280,323 S * 8/1985 Scheid D14/225
D307,739 S * 5/1990 Grant D13/168
D347,190 S * 5/1994 Issa D10/106.1
D348,410 S * 7/1994 Adams D10/104.1

(Continued)

1 Claim, 9 Drawing Sheets



(56)

References Cited

U.S. PATENT DOCUMENTS

5,388,691 A * 2/1995 White A45C 11/00
 206/305
 D357,919 S * 5/1995 Tsui D13/168
 5,475,368 A * 12/1995 Collins G08B 15/004
 340/391.1
 5,606,305 A * 2/1997 Jan A01M 29/18
 340/384.2
 D419,474 S * 1/2000 Issa D10/104.1
 D442,938 S * 5/2001 Hough D14/188
 6,293,044 B1 * 9/2001 Feng A01M 1/2077
 340/384.2
 6,473,022 B1 * 10/2002 Wu G07C 9/00944
 340/5.6
 D478,605 S * 8/2003 Guzman D13/168
 D495,303 S * 8/2004 Coullahan D13/168
 7,009,529 B2 * 3/2006 Hoermann G07C 9/00944
 160/188
 D608,767 S * 1/2010 Liner D14/205
 D690,666 S * 10/2013 Chen D13/168
 D701,496 S * 3/2014 Namminga D13/168
 D748,608 S * 2/2016 Kuo D14/218
 D756,334 S * 5/2016 Ducret D14/218

OTHER PUBLICATIONS

Clicker Universal 2-Button Garage Door Remote, review date Jul. 22, 2010, https://www.amazon.com/Clicker-Universal-2-Button-KLIK1U-Chamberlain/dp/B0013Q0S4S/ref=sr_1_1?s=hi&ie=UTF8&qid=1473901689&sr=1-1&keywords=garage+door+remote, [site visited Sep. 14, 2016 9:10:35 PM].*

* cited by examiner

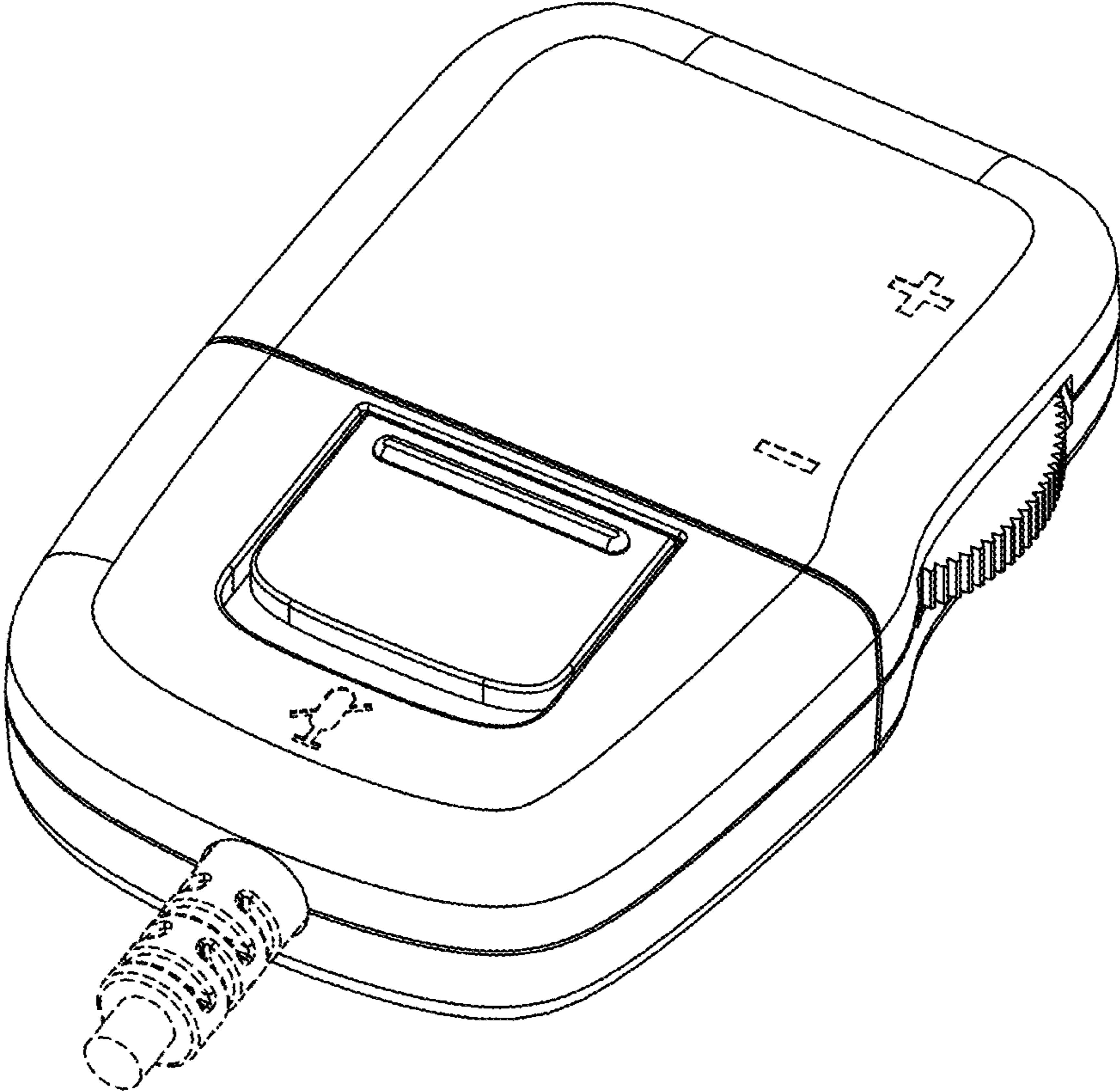


FIG. 1

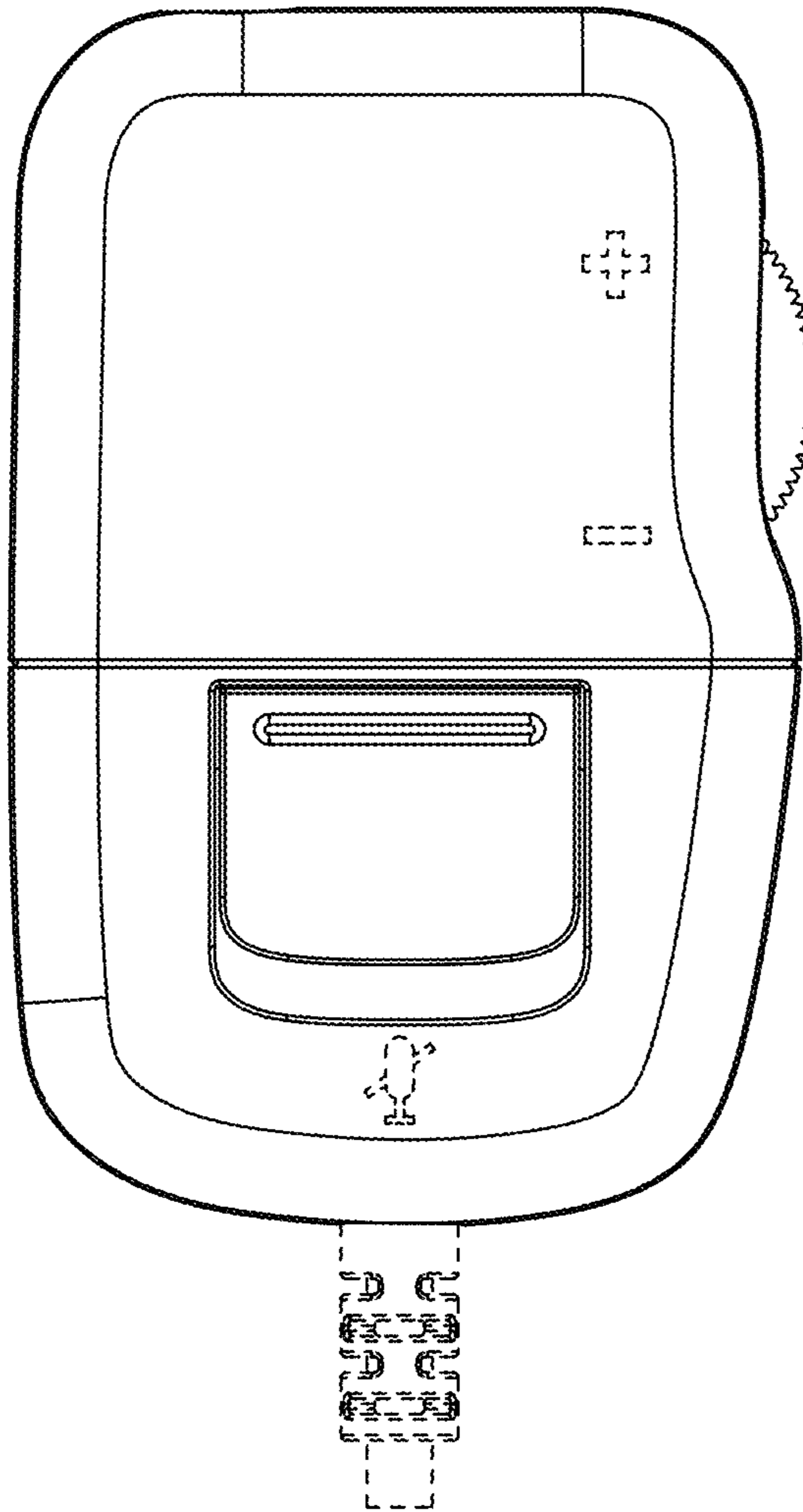


FIG. 2

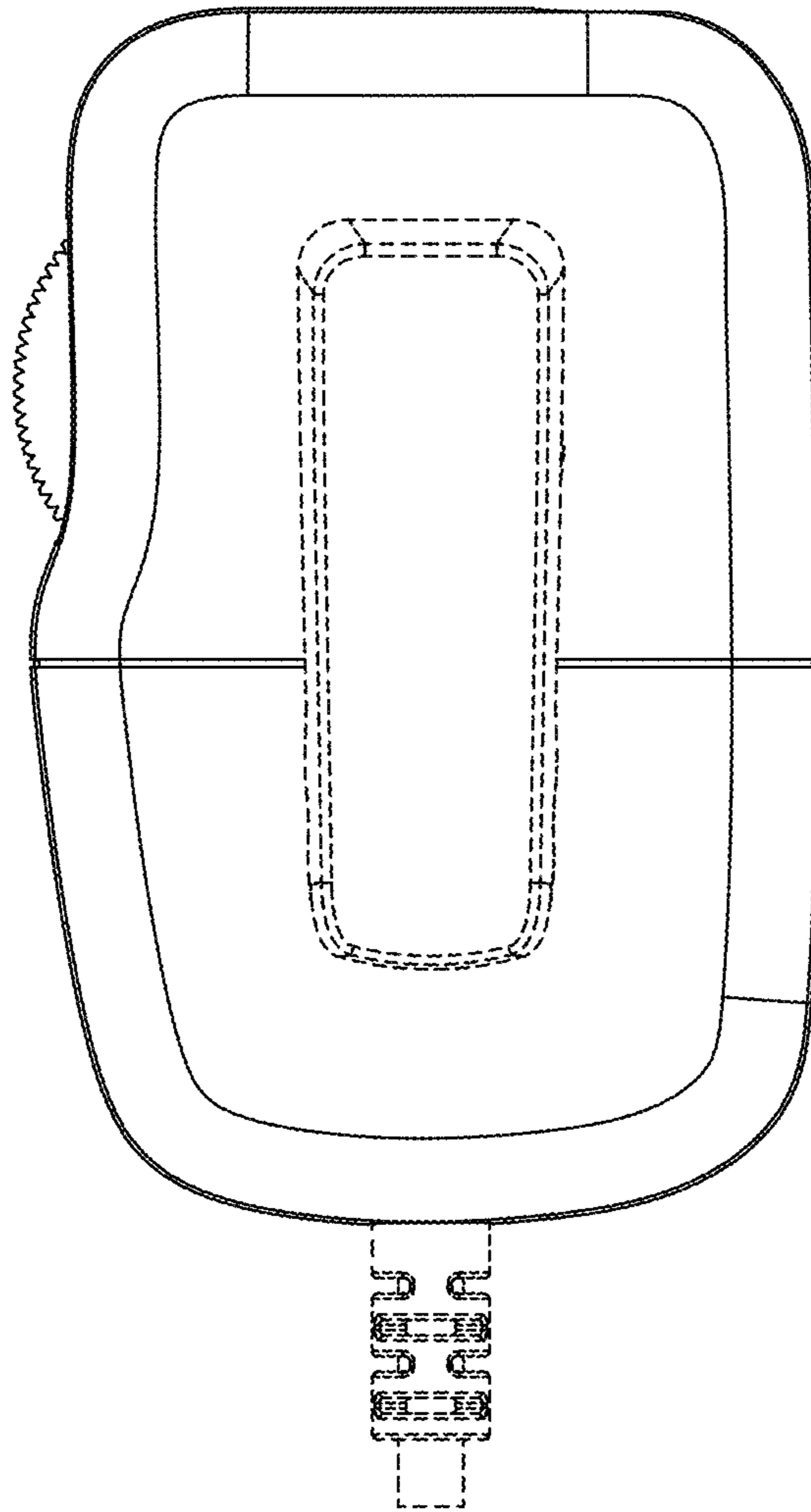


FIG.3

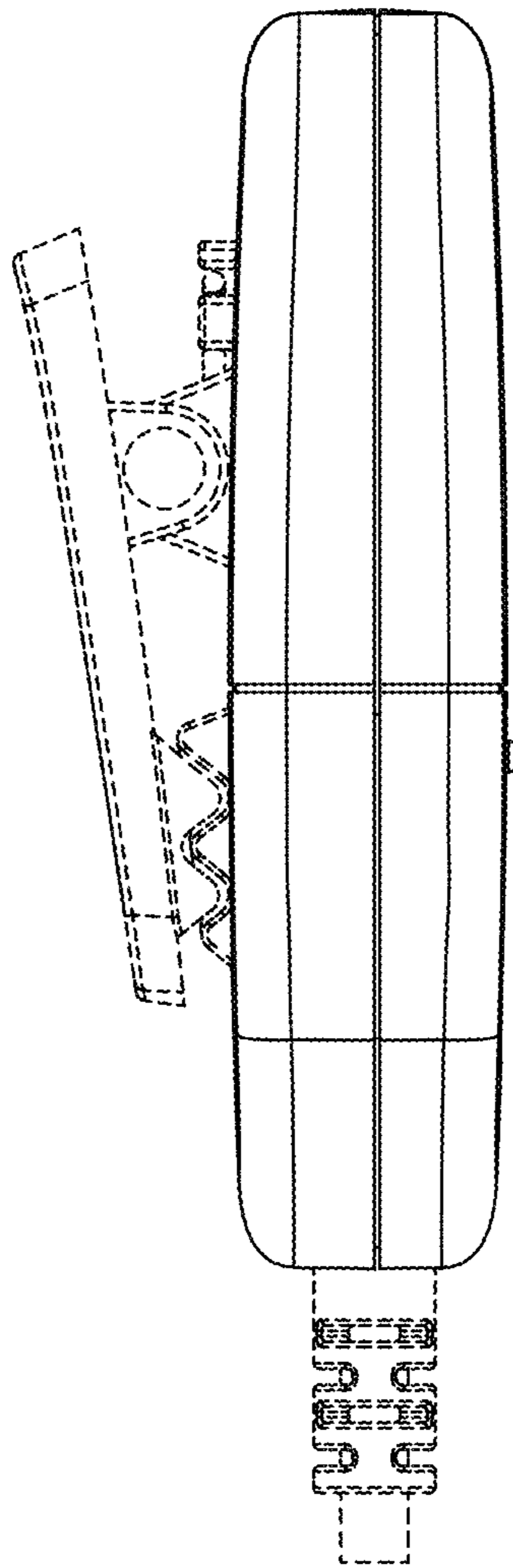


FIG.4

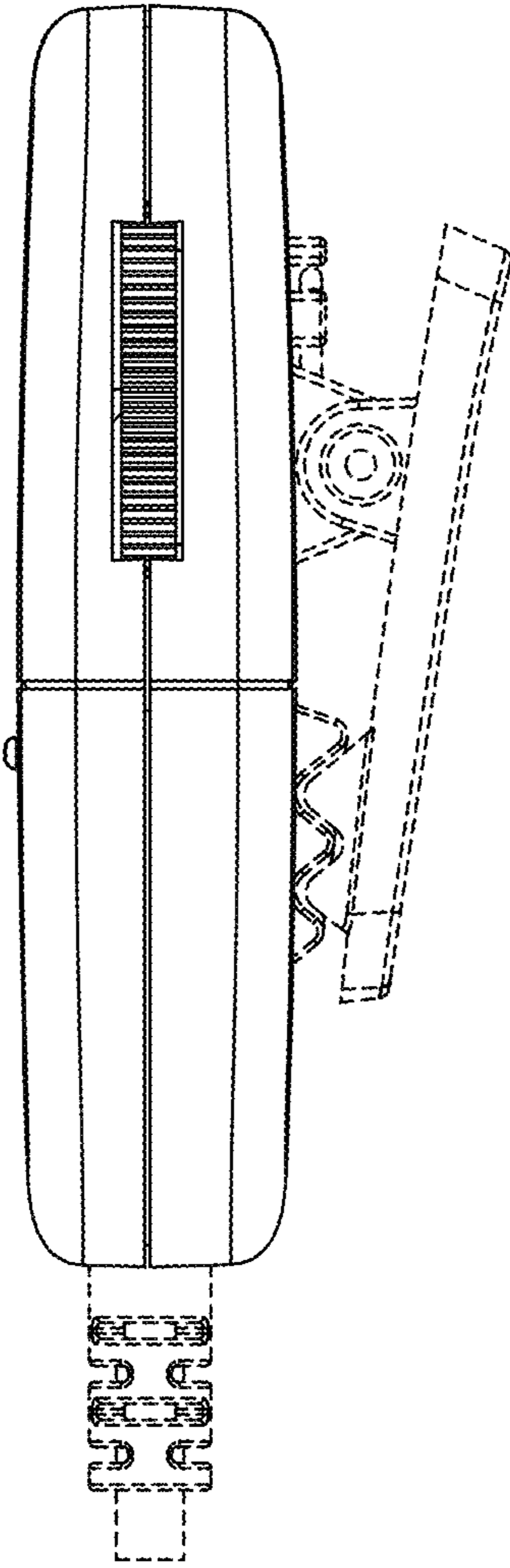


FIG.5

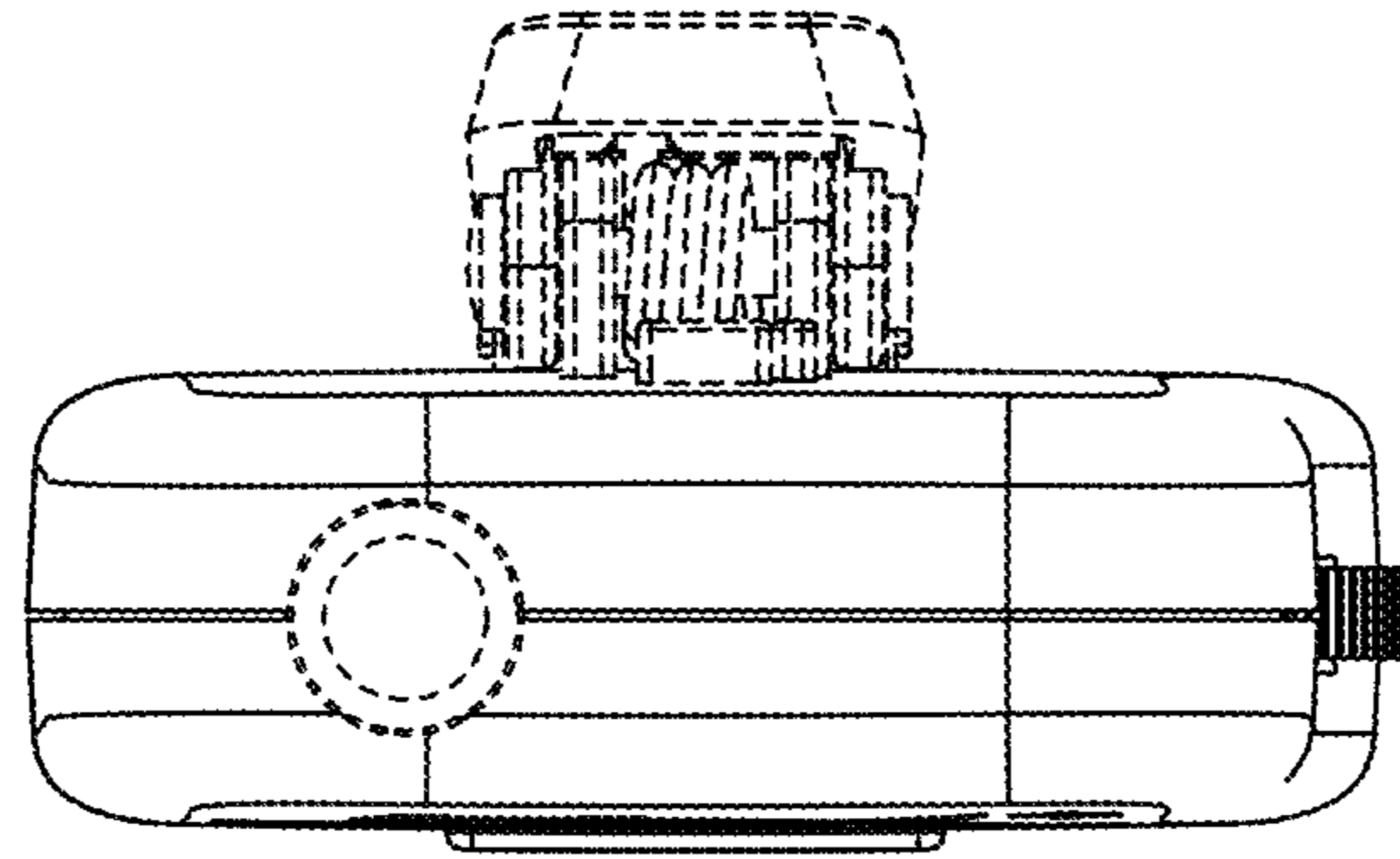


FIG. 6

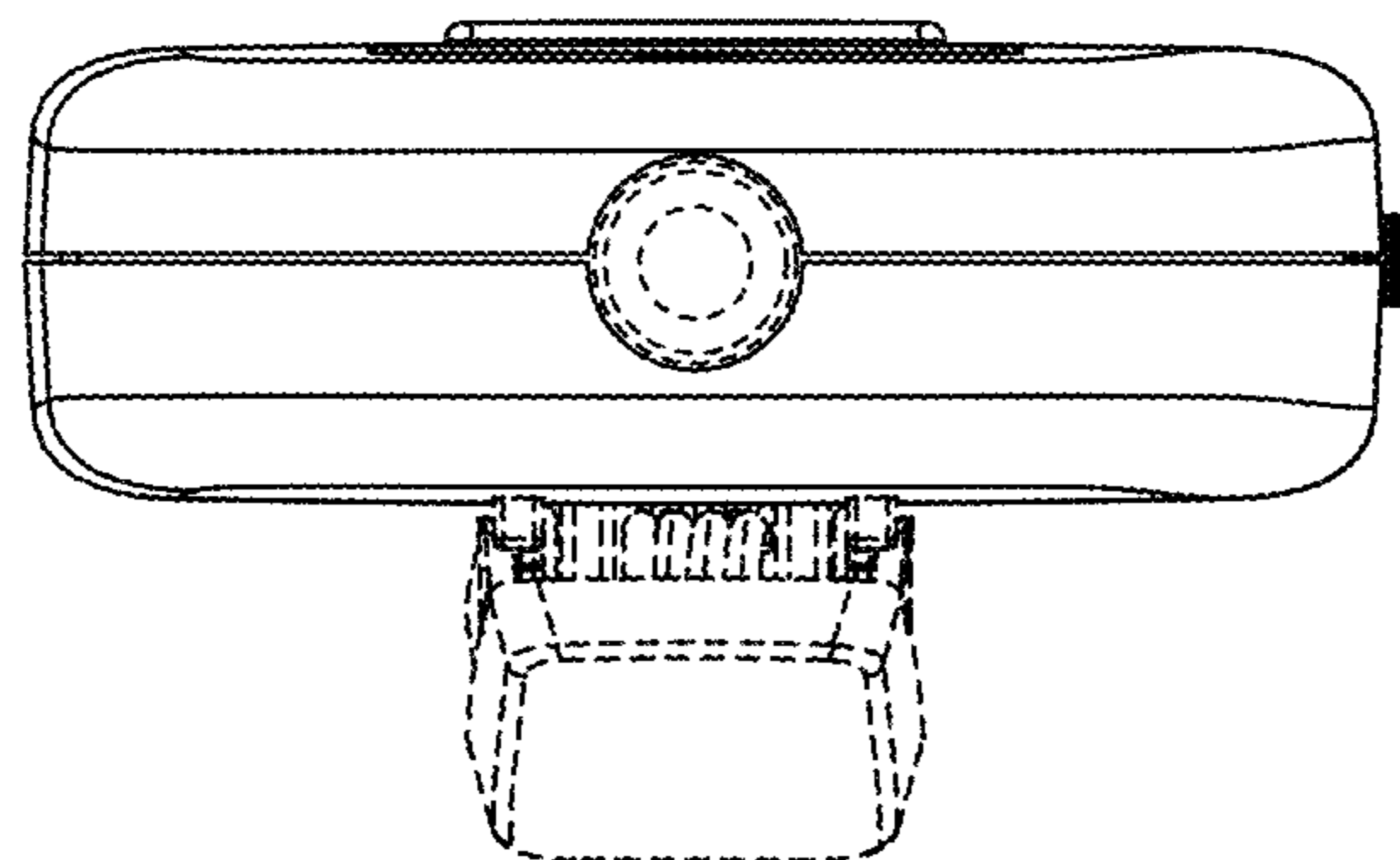


FIG. 7

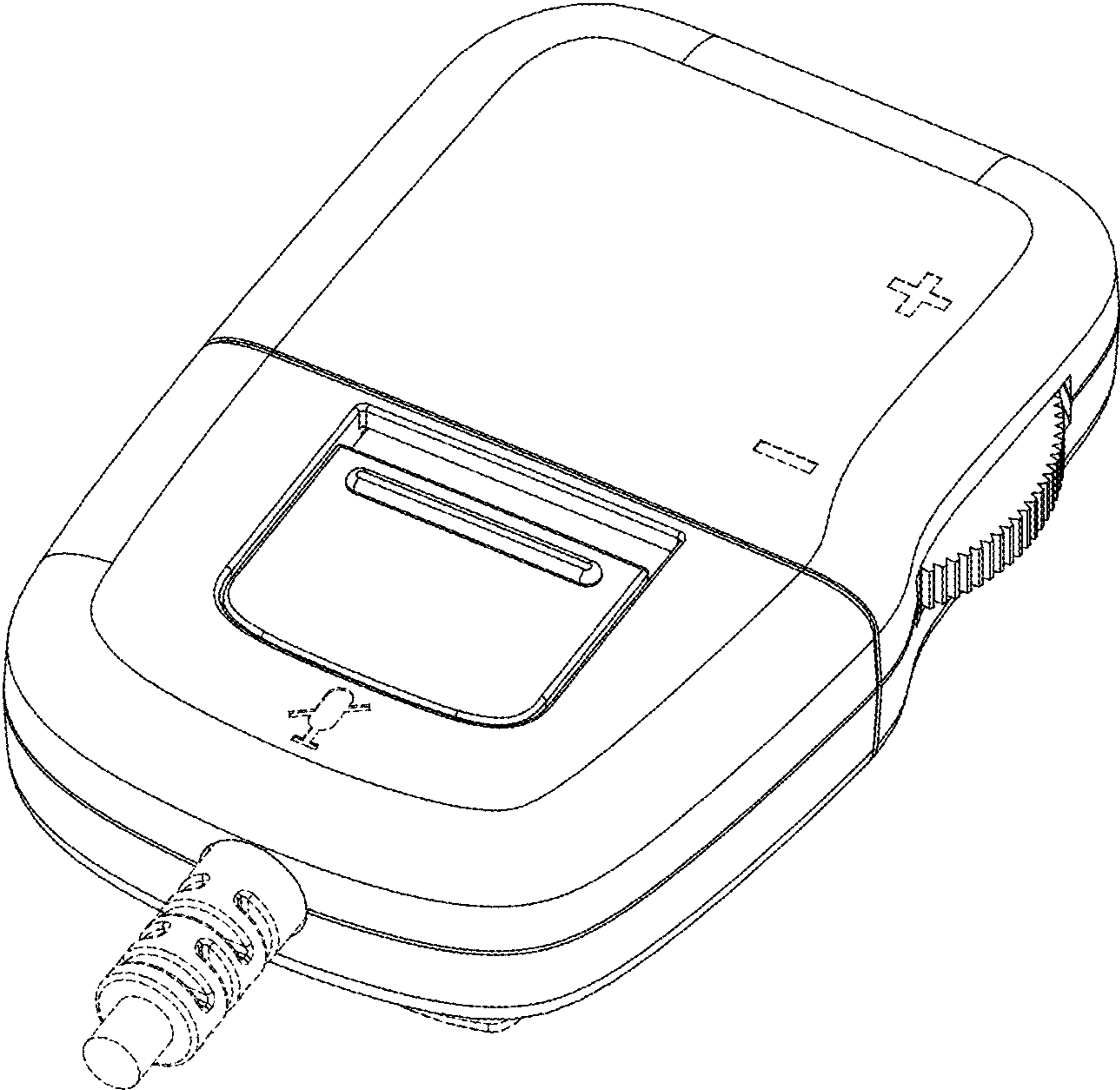


FIG.8

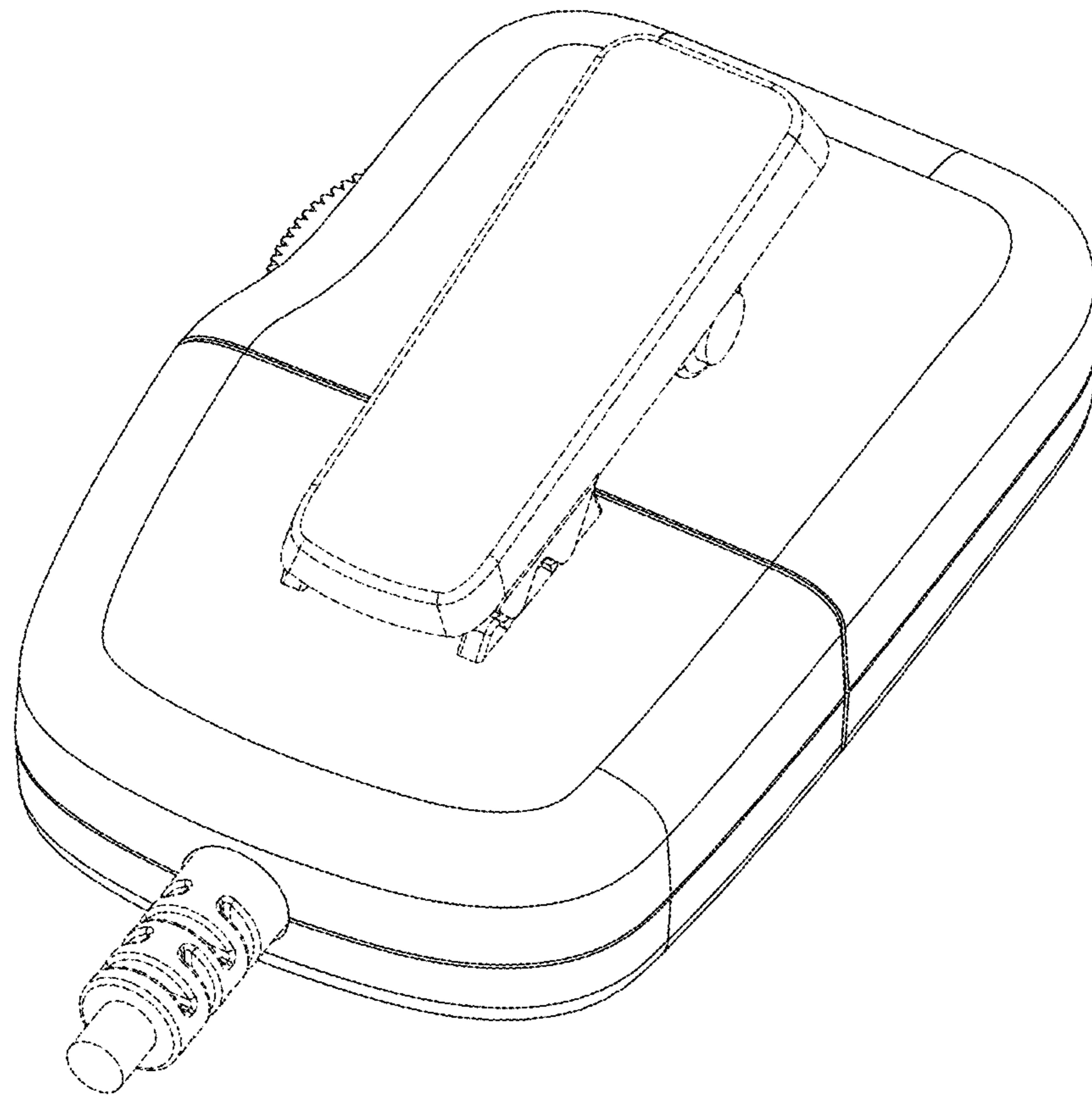


FIG.9

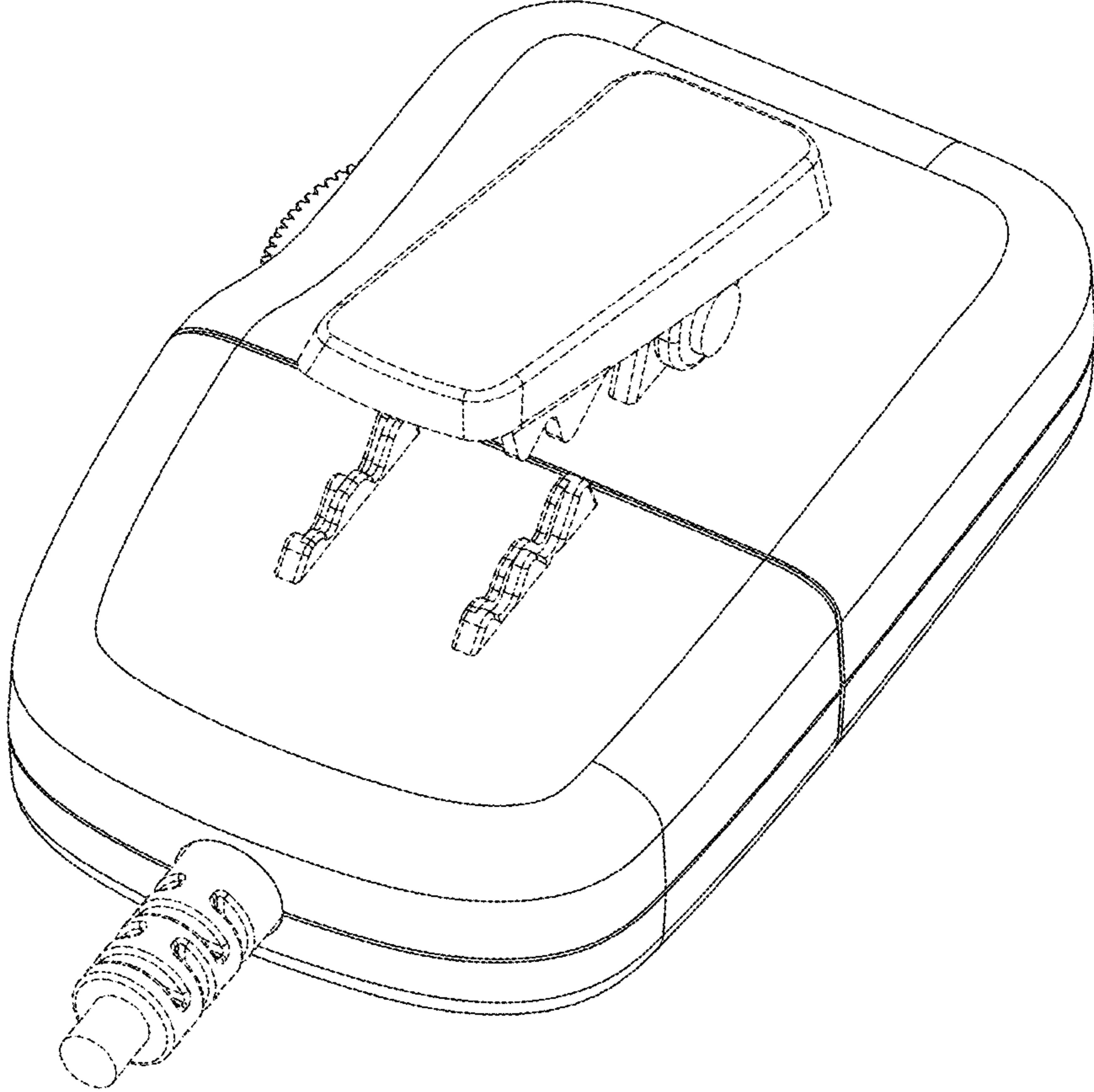


FIG.10