



US00D778263S

(12) **United States Design Patent** (10) **Patent No.:** **US D778,263 S**
Martel (45) **Date of Patent:** **** Feb. 7, 2017**

(54) **DJ CONTROLLER**
(71) Applicant: **Guillemot Corporation S.A.,**
Chantepie (FR)
(72) Inventor: **Olivier Martel, Bains sur Oust (FR)**
(73) Assignee: **Guillemot Corporation S.A.,**
Chantepie (FR)
(**) Term: **15 Years**
(21) Appl. No.: **29/547,336**
(22) Filed: **Dec. 2, 2015**
(51) **LOC (10) Cl.** **14-01**
(52) **U.S. Cl.**
USPC **D14/217**
(58) **Field of Classification Search**
USPC D17/24; D14/162, 188, 217
CPC H04B 1/0057; H04B 1/005; H04B 1/0035;
H04B 1/0075; H04B 1/0458; G10H
1/0008; G10H 1/0066; G10H
1/0025; G10H 1/0033; G10H 1/34
See application file for complete search history.

D666,173 S * 8/2012 Iijima D14/217
D687,019 S * 7/2013 O'Donnell D14/217
D702,771 S * 4/2014 Mar D14/401
D715,263 S * 10/2014 Kuramoto D14/217
D715,264 S * 10/2014 Iijima D14/217
D715,771 S * 10/2014 Funayama D14/217
D717,299 S * 11/2014 Kirpalani D14/391
D721,675 S * 1/2015 Hong D14/217
D765,058 S * 8/2016 Matsubayashi D14/217
D765,619 S * 9/2016 Kuramoto D14/217
2007/0280489 A1* 12/2007 Roman H04H 60/04
381/119
2008/0013756 A1* 1/2008 Roman G11B 19/022
381/119
2008/0046098 A1* 2/2008 Corbin G10H 1/0091
700/1

(Continued)

Primary Examiner — Sheryl Lane
Assistant Examiner — Samantha Wood
(74) *Attorney, Agent, or Firm* — Blakely Sokoloff Taylor
& Zafman LLP

(57) **CLAIM**

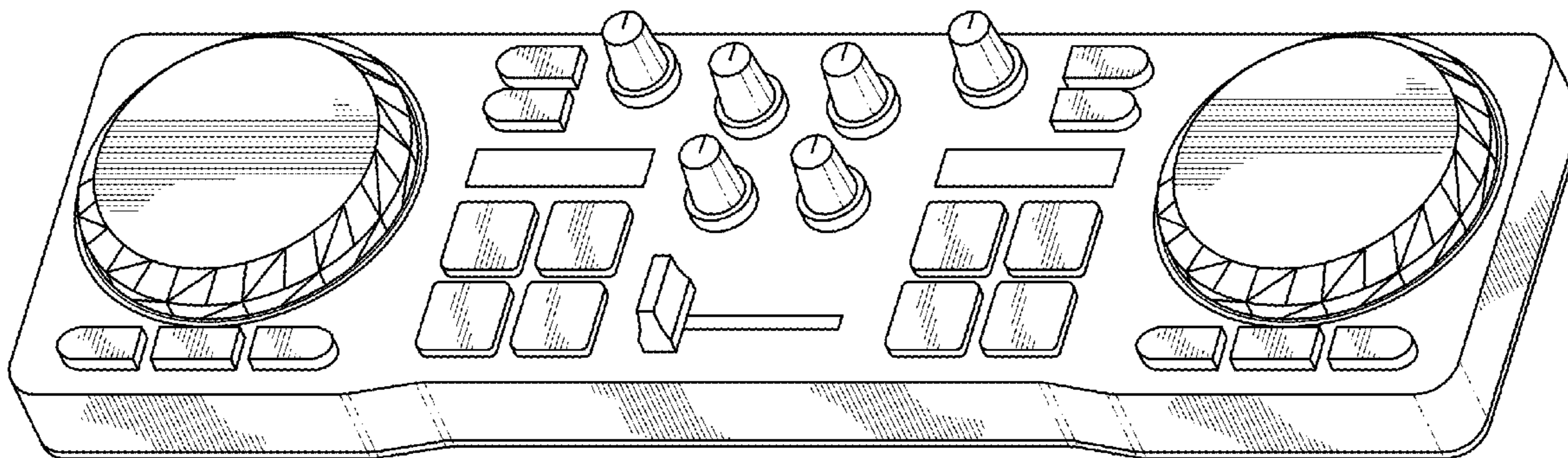
The ornamental design for a DJ controller, as shown.

DESCRIPTION

FIG. 1 is a front perspective view of a DJ controller, showing our new design;
FIG. 2 is a view of the face of the DJ controller of FIG. 1.
FIG. 3 is a view of the rear face DJ controller of FIG. 1.
FIG. 4 is a back side view of the DJ controller of FIG. 1.
FIG. 5 is a front side view of the DJ controller of FIG. 1.
FIG. 6 is a left side view of the DJ controller of FIG. 1; and,
FIG. 7 is a right side view of the DJ controller of FIG. 1.

1 Claim, 4 Drawing Sheets

(56) **References Cited**
U.S. PATENT DOCUMENTS
D592,208 S * 5/2009 Ishizaki D14/257
D615,993 S * 5/2010 Ho D14/203.1
D624,053 S * 9/2010 Williamson D14/203
D637,645 S * 5/2011 Koursaris D17/99
D641,733 S * 7/2011 Jenkins D14/217
D648,323 S * 11/2011 Medas D14/217
D648,324 S * 11/2011 Medas D14/217
8,153,881 B2* 4/2012 Coppard A63F 13/08
84/615



(56)

References Cited

U.S. PATENT DOCUMENTS

2011/0063230 A1* 3/2011 Mazur G10H 1/0091
345/173
2012/0134513 A1* 5/2012 Garet G05G 1/08
381/119

* cited by examiner

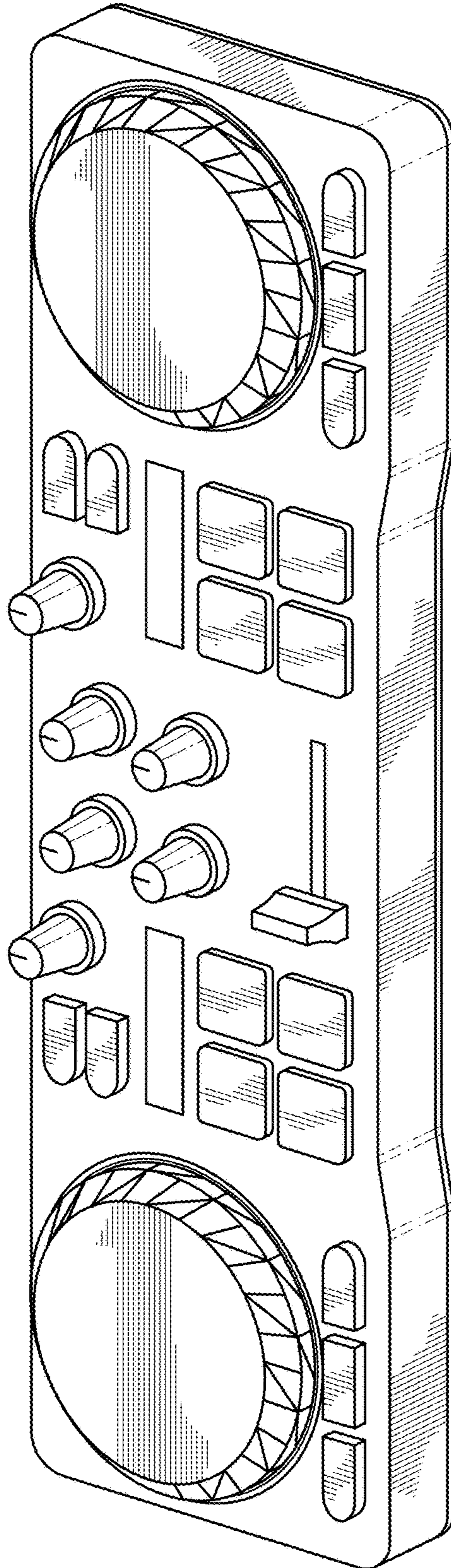


FIG. 1

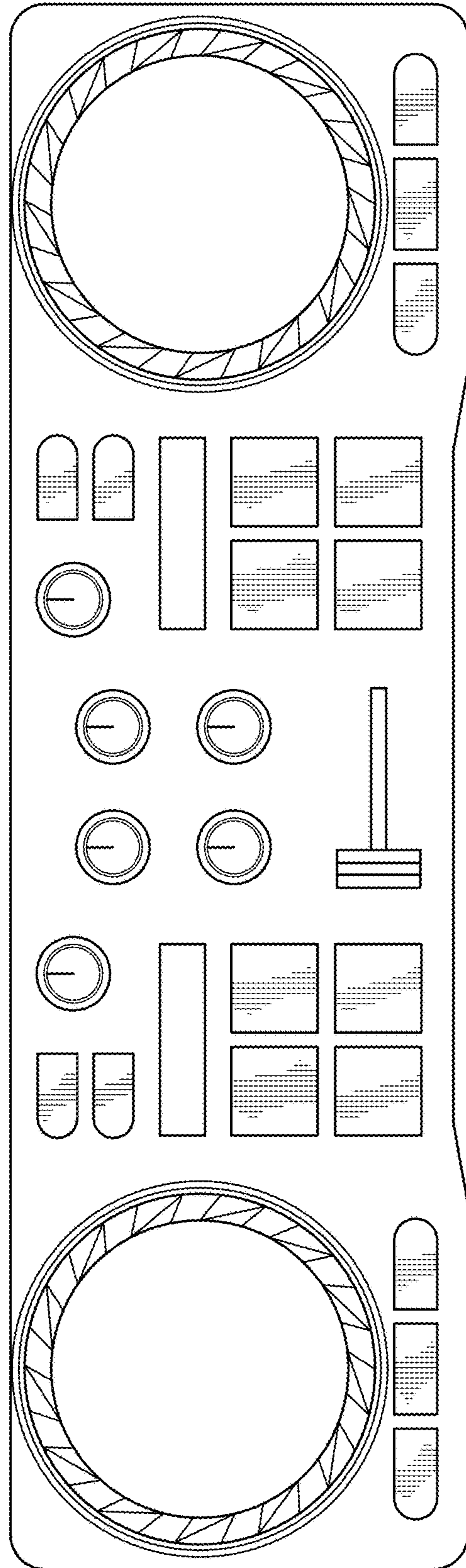


FIG. 2

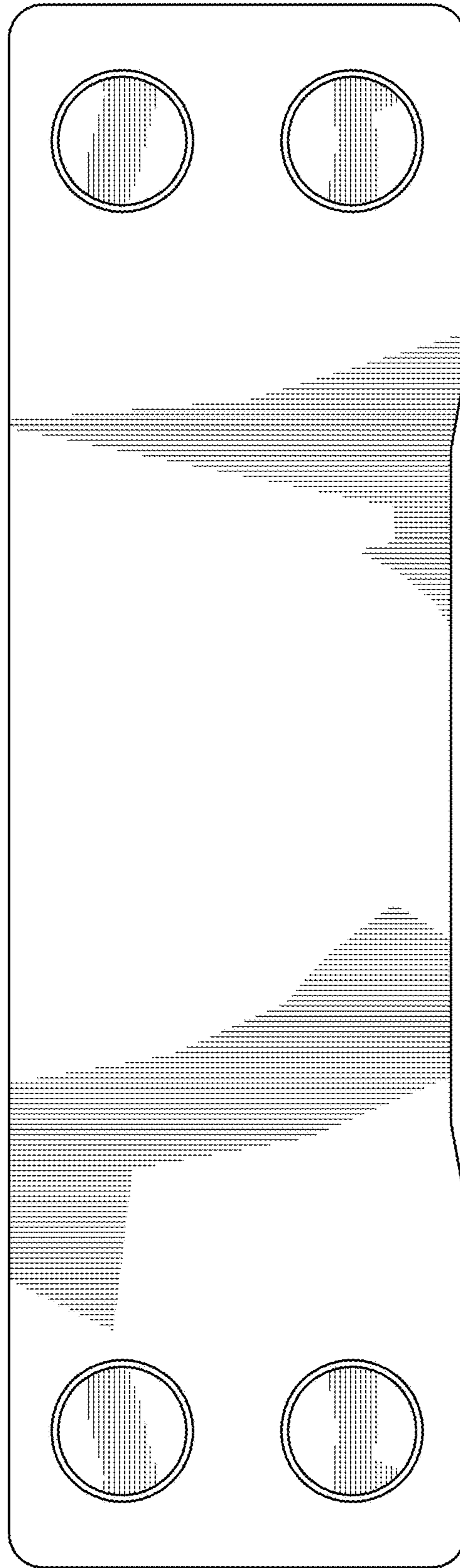


FIG. 3

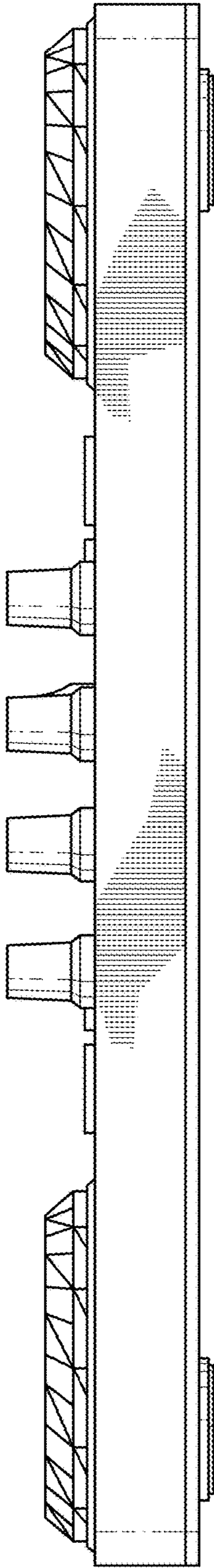


FIG. 4

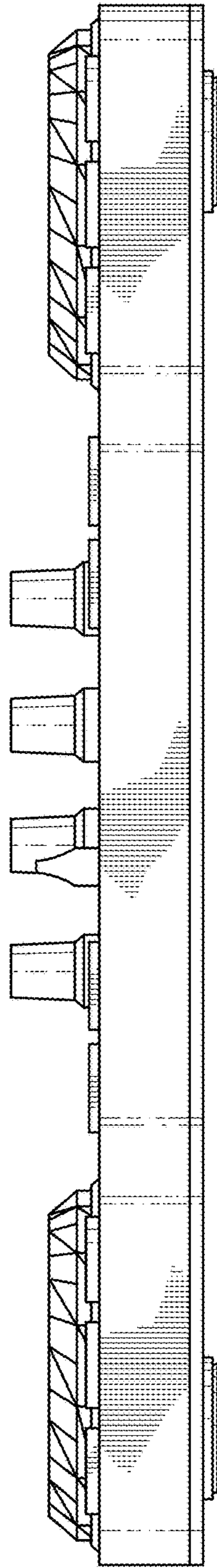


FIG. 5

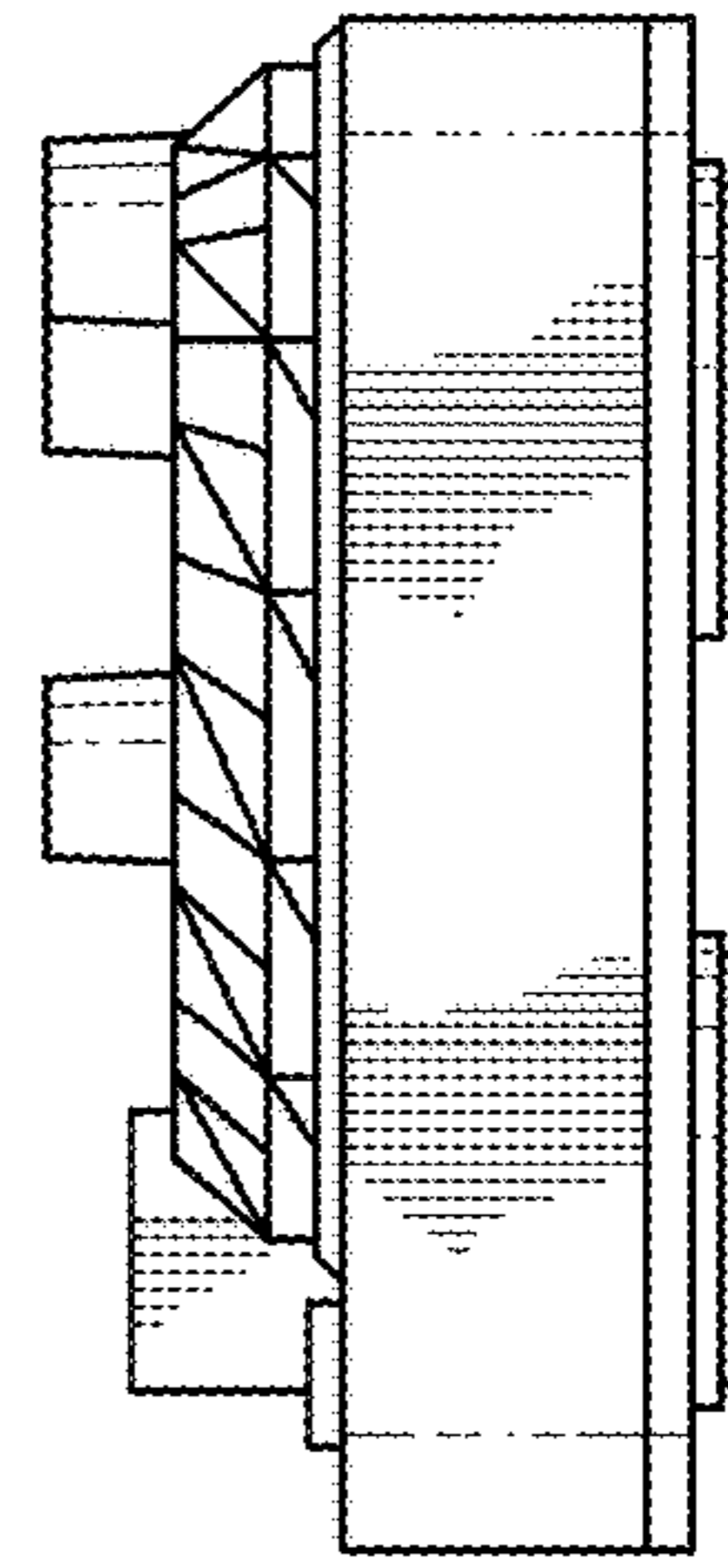


FIG. 6

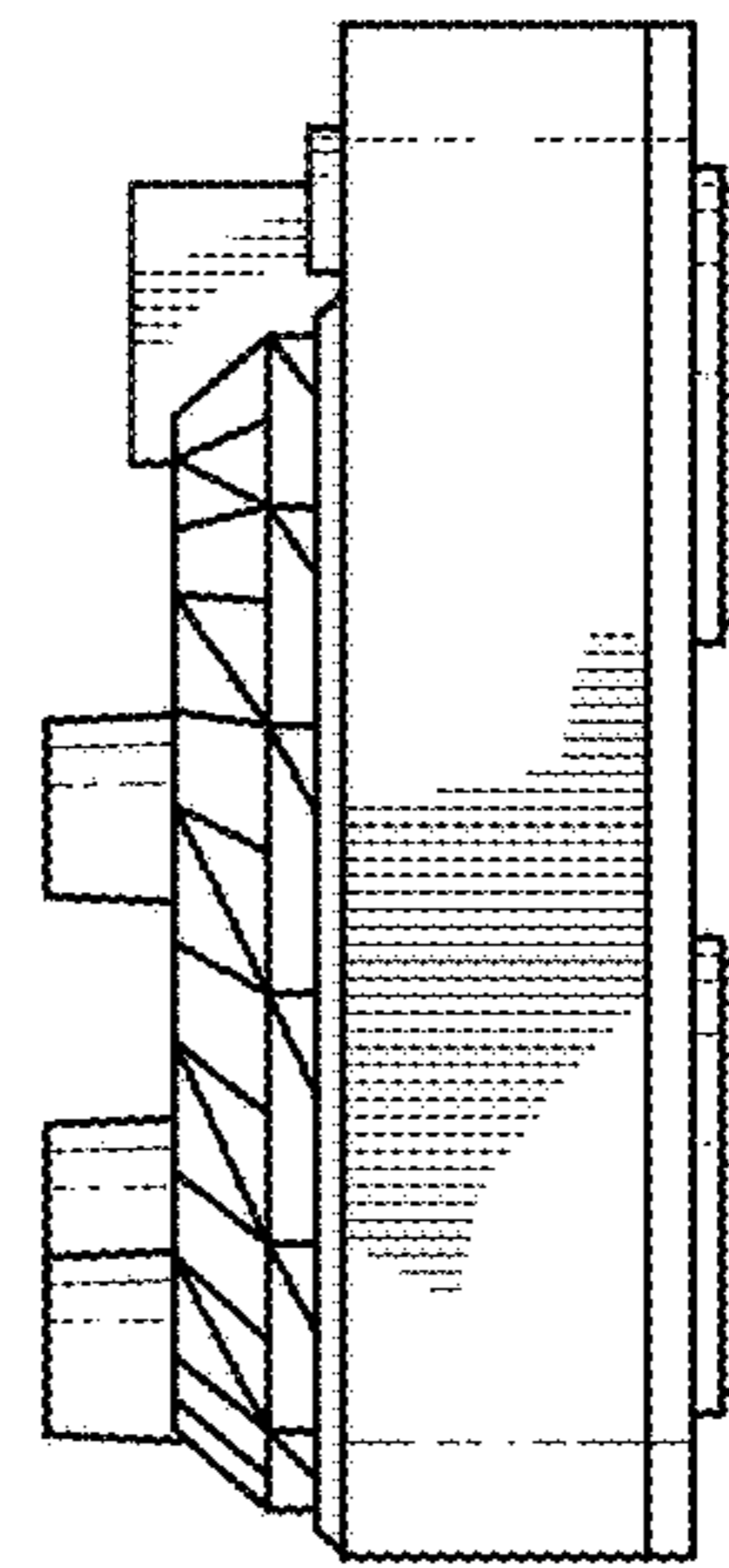


FIG. 7