



US00D778260S

(12) **United States Design Patent**
Ahn et al.

(10) **Patent No.:** **US D778,260 S**
(45) **Date of Patent:** **** Feb. 7, 2017**

(54) **SPEAKER**

(71) Applicant: **Samsung Electronics Co., Ltd.**,
Suwon-si (KR)

(72) Inventors: **Dae-Kyung Ahn**, Namyangju-si (KR);
Dae-Joung Kim, Seoul (KR);
Sang-Sung Woo, Seoul (KR);
Jong-Bae Kim, Seoul (KR); **Jong-In Jo**,
Hwaseong-si (KR); **Sung-Joo Kim**,
Suwon-si (KR); **Hong-Pyo Kim**, Seoul
(KR); **Chi-Young Ahn**, Seoul (KR);
Gyeong-Tae Lee, Seoul (KR)

(73) Assignee: **Samsung Electronics Co., Ltd.**,
Suwon-si (KR)

(**) Term: **14 Years**

(21) Appl. No.: **29/513,444**

(22) Filed: **Dec. 31, 2014**

(30) **Foreign Application Priority Data**

Jul. 1, 2014 (KR) 30-2014-0032230

(51) **LOC (10) Cl.** **14-03**

(52) **U.S. Cl.**
USPC **D14/216**

(58) **Field of Classification Search**

USPC D14/167, 168, 170-172, 188, 194-196,
D14/204, 207, 209.1, 210-216, 219, 221,
D14/222, 224, 239, 496; 181/143, 144,
181/147, 148, 150, 153, 157, 198, 199;
381/300-303, 306, 332, 333, 336, 345,
381/361-364, 386-388; 369/6-12
CPC B60R 11/0217; G06F 1/1688; G10K 9/22;
G10K 11/004; H03F 1/327; H04M 1/03;
H04M 1/035; H04N 5/642; H04N
21/4852; H04R 1/02; H04R 1/06; H04R
1/021; H04R 1/025; H04R 1/026; H04R
1/028; H04R 1/105; H04R 1/323; H04R
1/403; H04R 1/2803; H04R 1/2834; H04R

5/02;H04R 7/20; H04R 9/06; H04R
9/025; H04R 2201/021; H04R 2400/00;
H04R 2400/07; H04R 2499/11; H04R
2499/13; H04R 2499/15; H04S
3/00; H04S 7/30

See application file for complete search history.

(56) **References Cited**

U.S. PATENT DOCUMENTS

D373,183 S *	8/1996	Beyer	D23/355
D435,641 S *	12/2000	Clement	D23/366
D642,170 S *	7/2011	Johnson	D14/250
D647,508 S *	10/2011	Lee	D14/216
D665,386 S *	8/2012	Fathollahi	D14/250
D673,930 S *	1/2013	Bolton	D14/204
D673,931 S *	1/2013	Bolton	D14/204

(Continued)

Primary Examiner — Keli L Hill

(74) *Attorney, Agent, or Firm* — NSIP Law

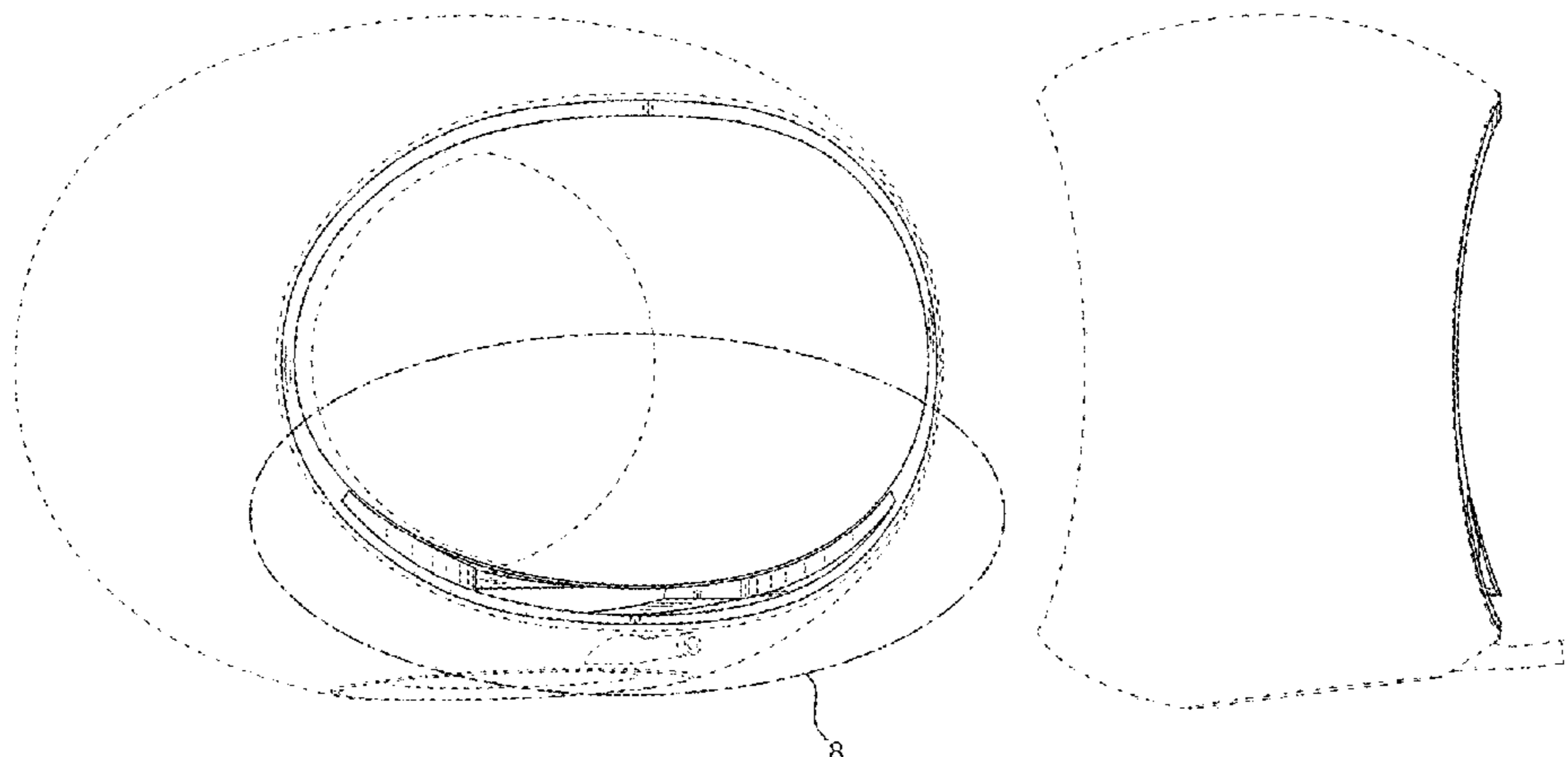
(57) **CLAIM**

We claim the ornamental design for a speaker, as shown and described.

DESCRIPTION

FIG. 1 is a front perspective view of a speaker showing our new design;
FIG. 2 is a front view thereof;
FIG. 3 is a rear view thereof;
FIG. 4 is a left-side view thereof;
FIG. 5 is a right-side view thereof;
FIG. 6 is a top view thereof;
FIG. 7 is a bottom view thereof;
FIG. 8 is an enlarged view of the encircled portion in FIG. 1; and,
FIG. 9 is a cross-sectional view taken through the vertical center of FIG. 2.
The broken lines in the figures show portions of the speaker which form no part of the claimed design.

(Continued)



The dot-dash broken lines encircling portions of the claimed design that are illustrated in enlargements form no part of the claimed design.

1 Claim, 9 Drawing Sheets

(56)

References Cited

U.S. PATENT DOCUMENTS

D674,775 S *	1/2013	Bolton	D14/204
D711,862 S *	8/2014	Fathollahi	D14/250
D745,858 S *	12/2015	Di Mauro	D14/204
D746,425 S *	12/2015	Dyson	D23/356
D753,634 S *	4/2016	Fields	D14/217
D757,912 S *	5/2016	Eads	D23/255

* cited by examiner

FIG. 1

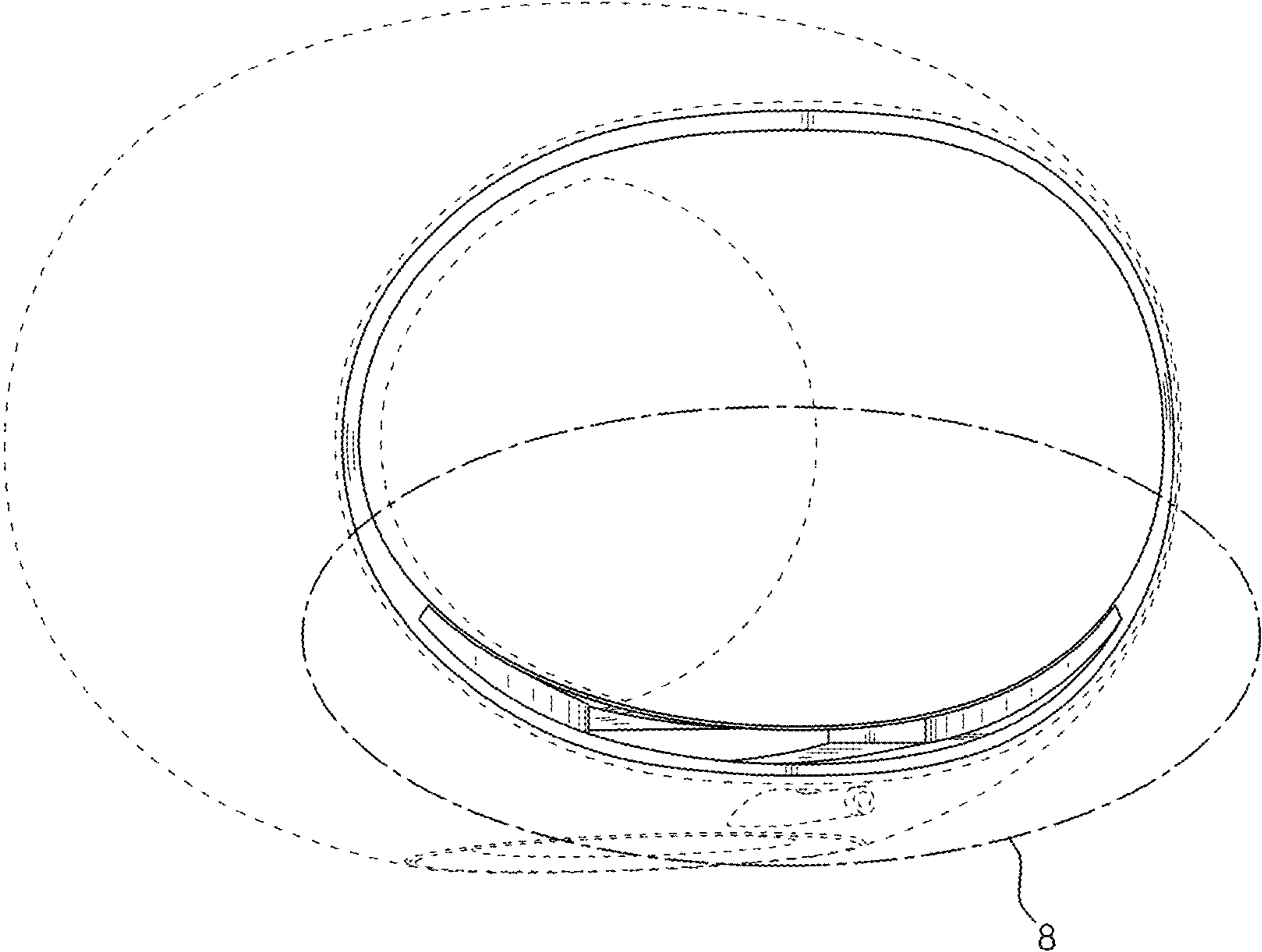


FIG. 2

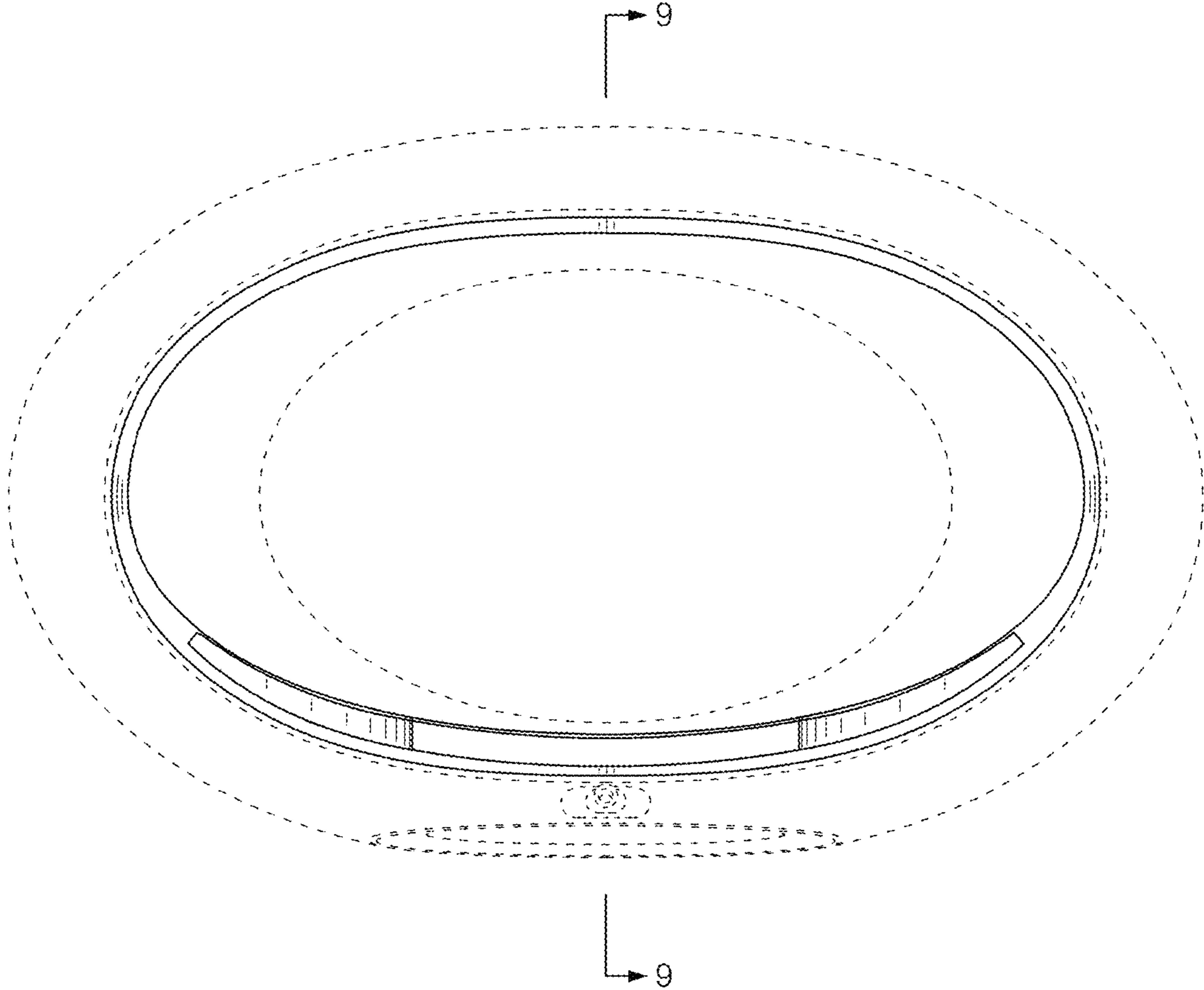


FIG. 3

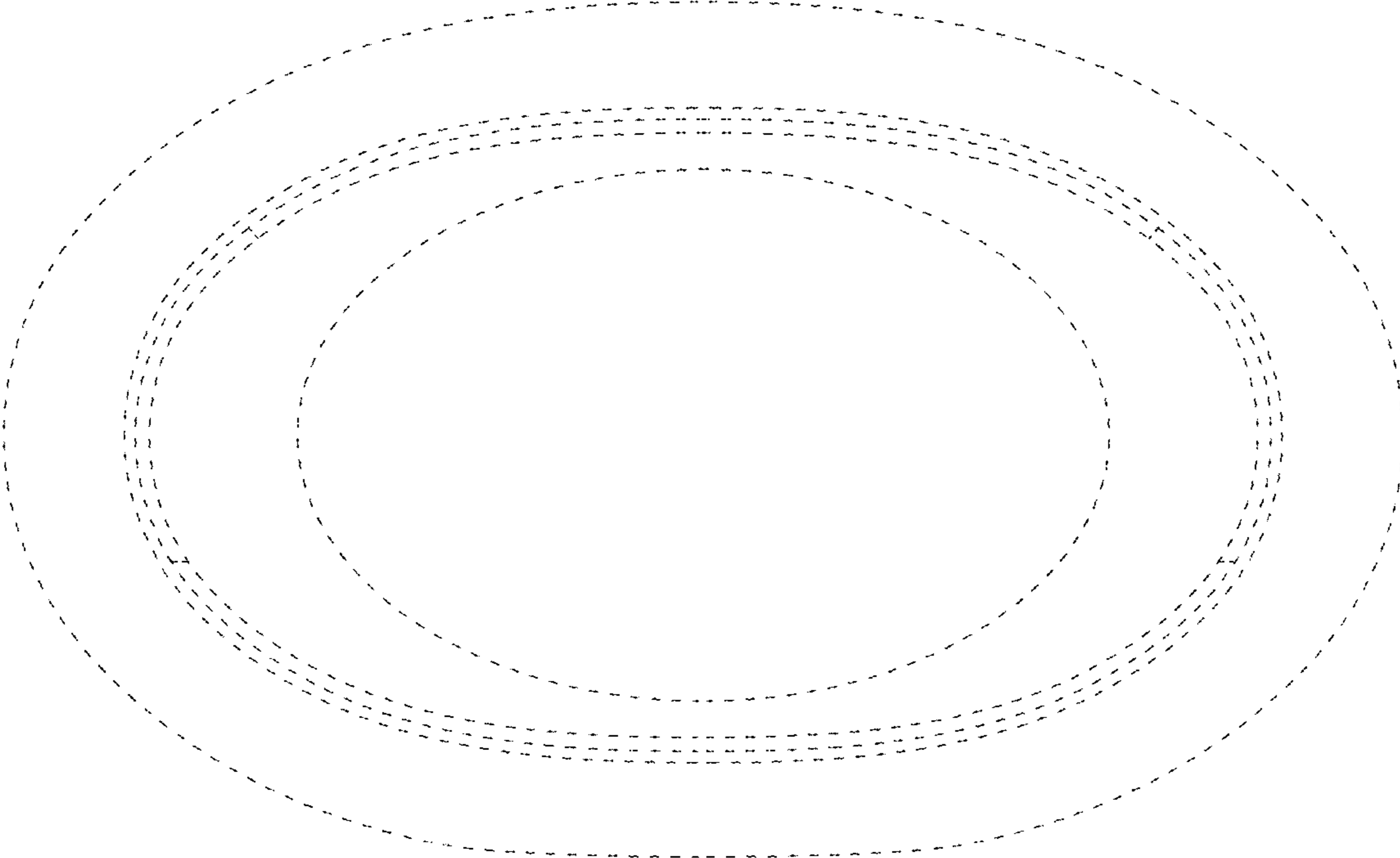


FIG. 4

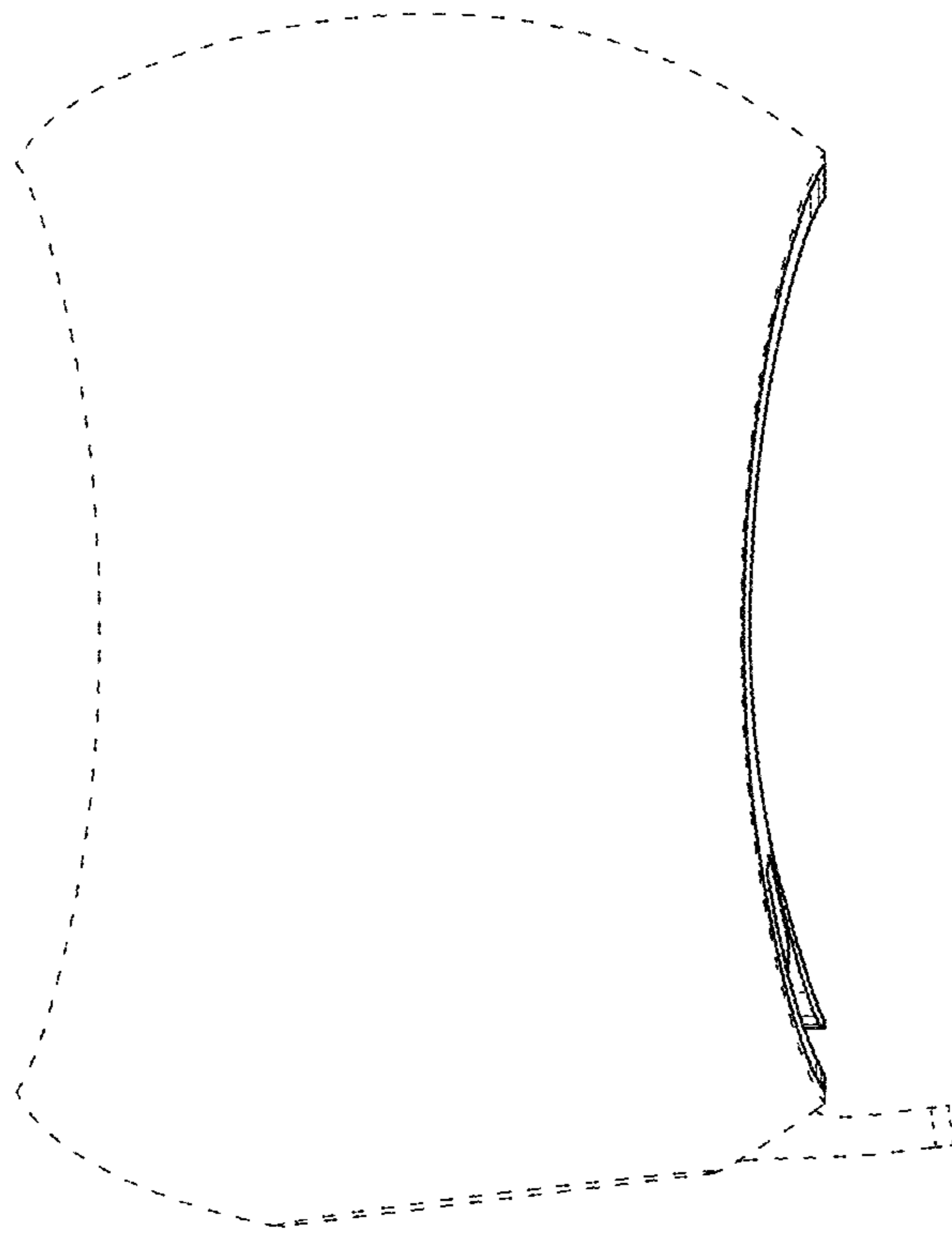


FIG. 5

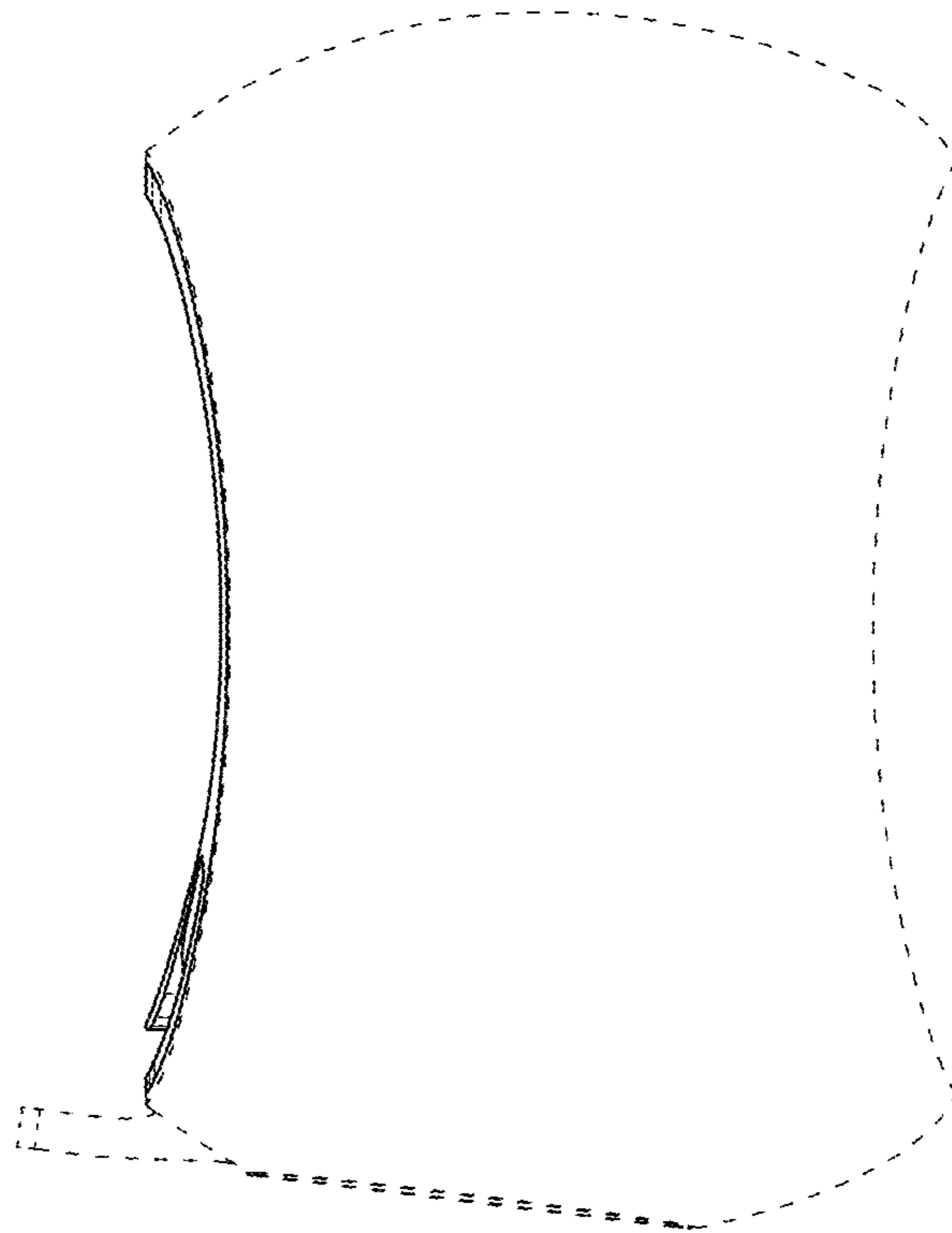


FIG. 6

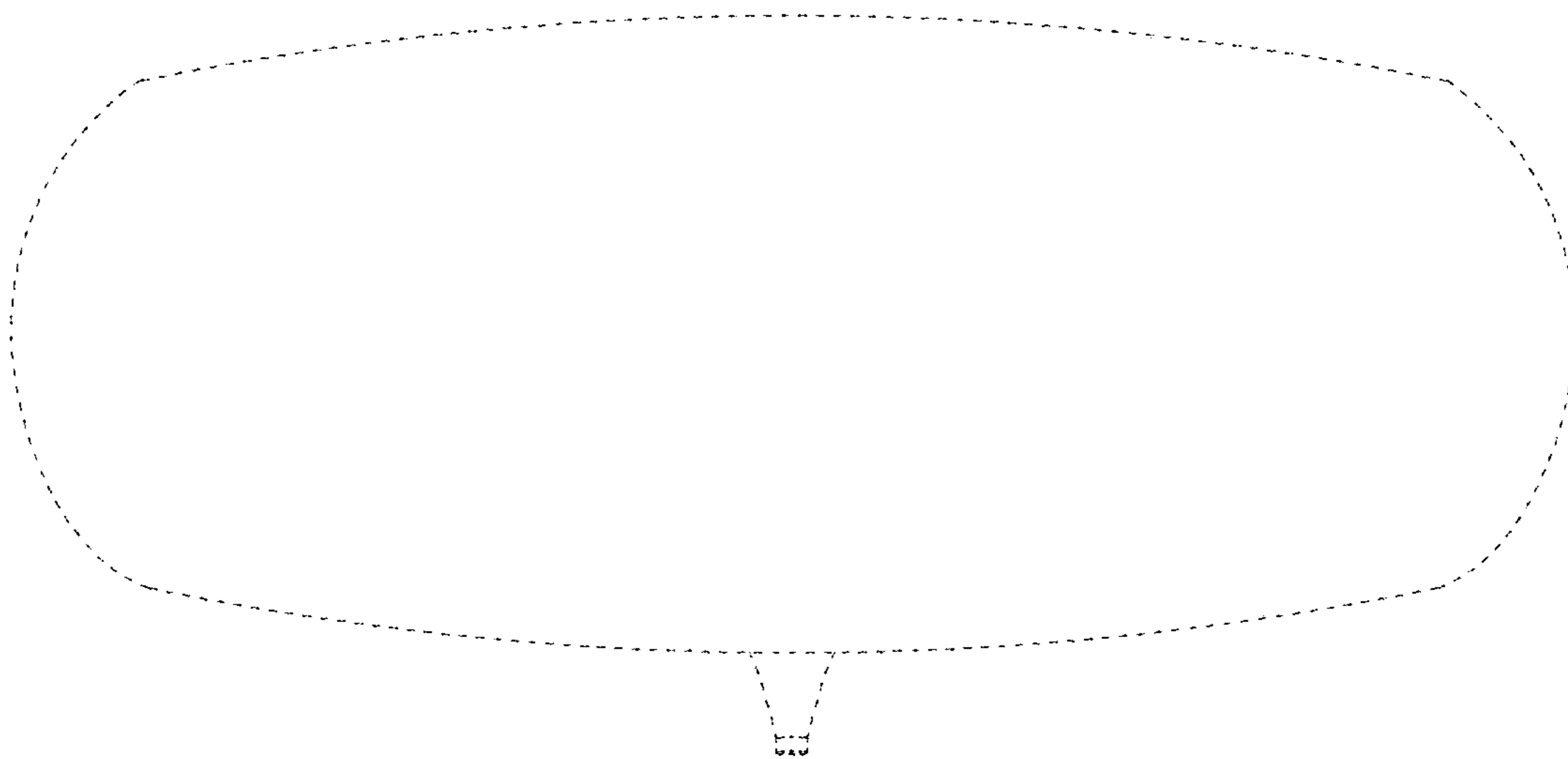


FIG. 7

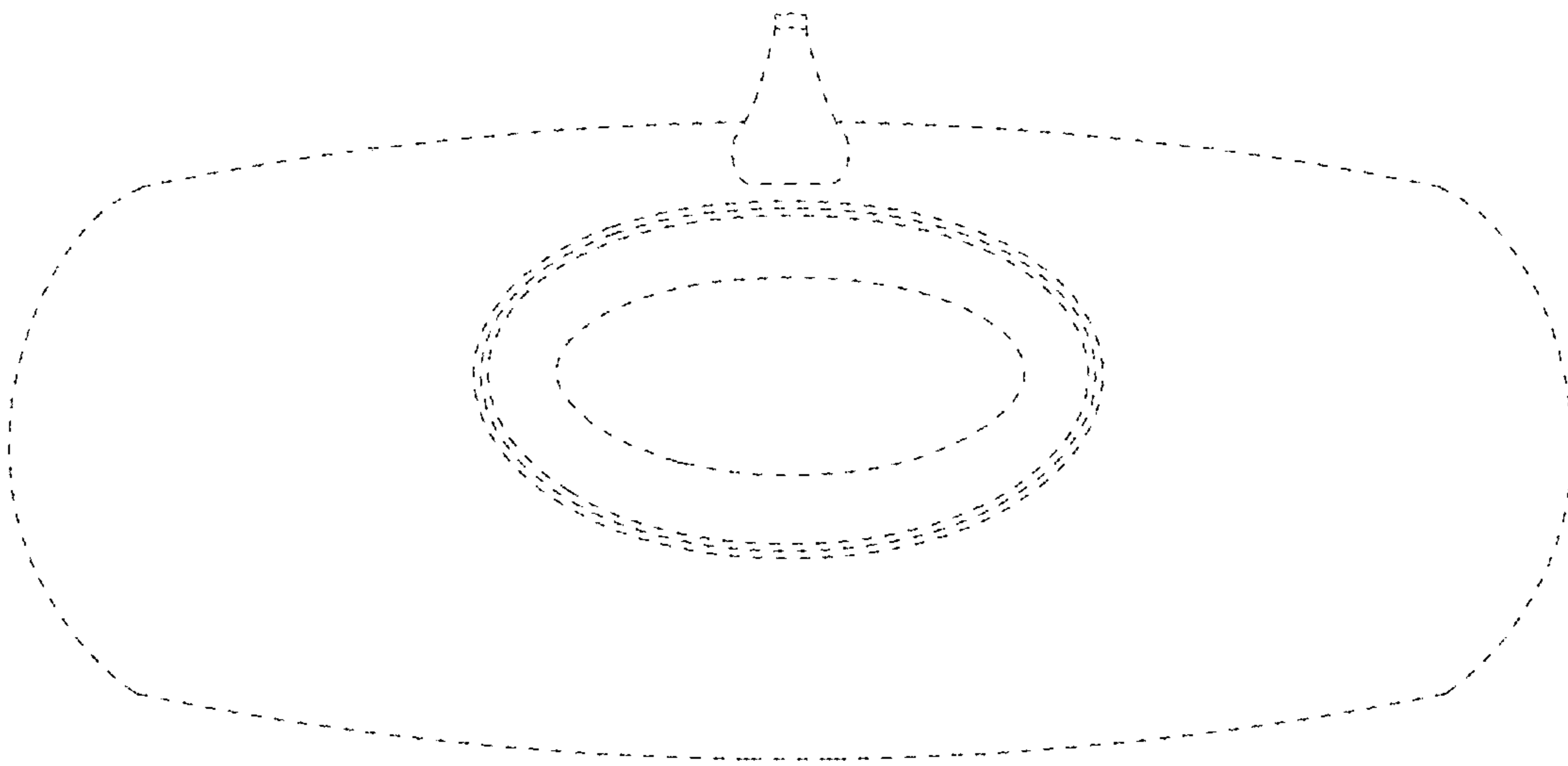


FIG. 8

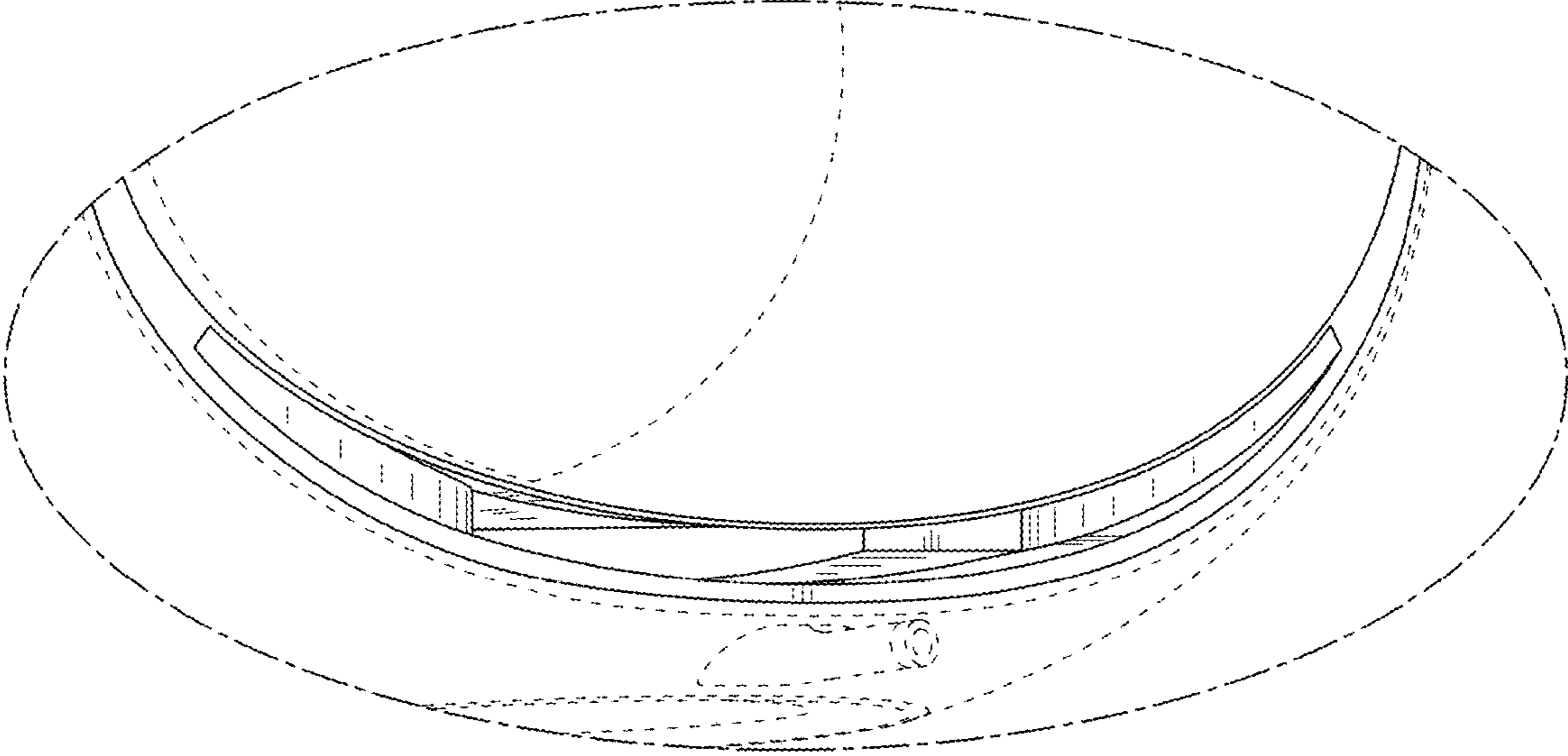


FIG. 9

