



US00D778258S

(12) **United States Design Patent**  
**Hsu et al.**

(10) **Patent No.:** **US D778,258 S**

(45) **Date of Patent:** **\*\* Feb. 7, 2017**

- (54) **HEADSET**
- (71) Applicant: **Razer (Asia-Pacific) Pte. Ltd.**,  
Singapore (SG)
- (72) Inventors: **Tsun-Te Hsu**, New Taipei (TW); **Ien Yu Tong**, Johor (MY)
- (73) Assignee: **RAZER (ASIA-PACIFIC) PTE. LTD.**,  
Singapore (SG)
- (\*\*) Term: **15 Years**
- (21) Appl. No.: **29/545,574**
- (22) Filed: **Nov. 13, 2015**
- (51) **LOC (10) Cl.** ..... **14-01**
- (52) **U.S. Cl.**  
USPC ..... **D14/205**
- (58) **Field of Classification Search**  
USPC .... D14/205; D29/112; 2/209; 181/129, 130,  
181/135; 379/430, 431; 381/380, 381,  
379/370, 371, 381/383, 378, 379, 374,  
379/375  
CPC ..... H04R 1/1066; H04R 1/1016; H04R 5/033;  
H04R 1/105; H04R 25/00; H04R 1/10  
See application file for complete search history.

(56) **References Cited**

**U.S. PATENT DOCUMENTS**

D204,886 S *	5/1966	Kilewer .....	D14/205
3,579,640 A *	5/1971	Beguín et al. ....	A61F 11/14 2/209
D222,361 S *	10/1971	Hart .....	D14/205
D246,519 S *	11/1977	Kato .....	D14/205
D254,183 S *	2/1980	Doodson .....	D14/205
D254,616 S *	4/1980	Tabata .....	D14/205
4,465,159 A *	8/1984	Stallings .....	A61F 11/14 181/129
D292,205 S *	10/1987	Kikutani .....	381/378
D302,429 S *	7/1989	Leer .....	D14/137

D317,767 S *	6/1991	Banks .....	D14/205
5,138,722 A *	8/1992	Urella .....	A61F 11/14 2/209
D333,137 S *	2/1993	Burke .....	D14/206
5,406,037 A *	4/1995	Nageno .....	H04R 5/0335 181/129
D358,390 S *	5/1995	Hayashi .....	D14/205
D369,604 S *	5/1996	Morimiya .....	D14/205
D378,598 S *	3/1997	Chiba .....	D18/55
D391,573 S *	3/1998	Nakamura .....	D14/205
D484,485 S *	12/2003	Matsuoka .....	D14/205
6,654,966 B2 *	12/2003	Rolla .....	H04R 5/0335 2/209
D512,708 S *	12/2005	Harris, Jr. ....	D14/205
D517,527 S *	3/2006	Suzuki .....	D14/205
D518,474 S *	4/2006	Suzuki .....	D14/205
D519,110 S *	4/2006	Komiyama .....	D14/223
7,172,052 B2 *	2/2007	Lenhard-Backhaus	H04R 1/1066 181/129
D542,774 S *	5/2007	Rausch .....	D14/206

(Continued)

*Primary Examiner* — Paula Greene

(74) *Attorney, Agent, or Firm* — Polsinelli PC

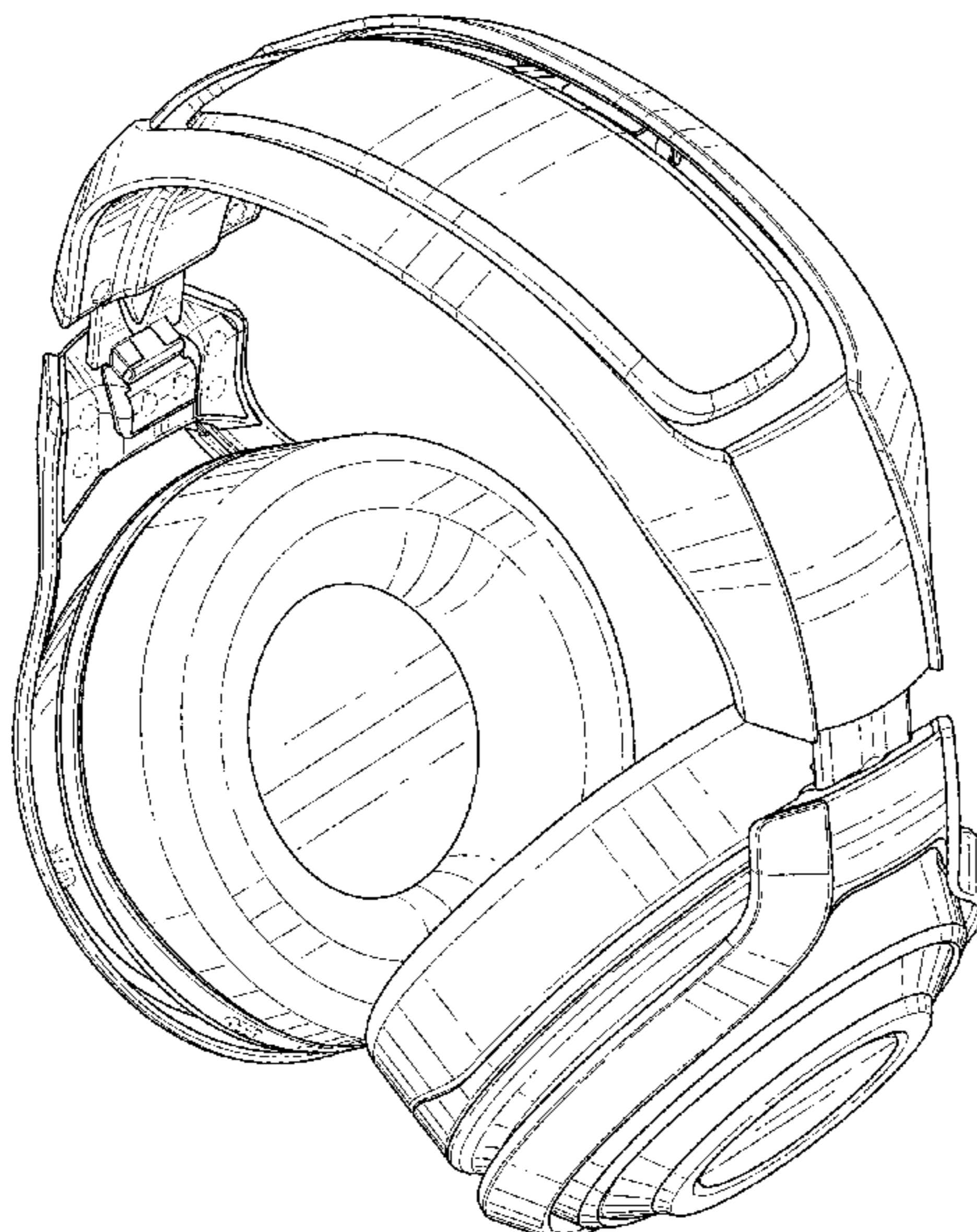
(57) **CLAIM**

We claim the ornamental design for a headset, as shown and described.

**DESCRIPTION**

FIG. 1 is a perspective view of a first embodiment of a headset, showing our new design;  
 FIG. 2 is a bottom perspective view thereof;  
 FIG. 3 is a front elevational view thereof;  
 FIG. 4 is rear elevational view thereof;  
 FIG. 5 is a right side elevational view thereof;  
 FIG. 6 is a left side elevational view thereof;  
 FIG. 7 is a top plan view thereof; and,  
 FIG. 8 is a bottom plan view thereof.  
 Broken lines are for illustrating unclaimed portions of the headset; the broken lines form no part of the claimed design.

**1 Claim, 8 Drawing Sheets**



(56)

## References Cited

## U.S. PATENT DOCUMENTS

D549,688 S \* 8/2007 Suzuki ..... D14/205  
7,388,960 B2 \* 6/2008 Kuo ..... H04R 1/1041  
379/430  
D589,492 S \* 3/2009 Mistry ..... D14/205  
D592,639 S \* 5/2009 Kuh ..... D14/205  
D603,370 S \* 11/2009 Suzuki ..... D14/205  
D613,266 S \* 4/2010 Barry ..... D14/205  
D625,705 S \* 10/2010 Ohori ..... D14/205  
D635,958 S \* 4/2011 Ando ..... D14/205  
D638,397 S \* 5/2011 McManigal ..... D14/205  
D662,490 S \* 6/2012 McSweyn ..... D14/205  
D673,136 S \* 12/2012 Kelly ..... D14/205  
8,363,877 B2 \* 1/2013 Morisawa ..... H04R 1/1066  
2/209  
D677,647 S \* 3/2013 Lee ..... D14/205  
D693,791 S \* 11/2013 Troy ..... D14/205  
D696,643 S \* 12/2013 Lee ..... D14/205  
D699,702 S \* 2/2014 Chen ..... D14/205  
8,737,668 B1 \* 5/2014 Blair ..... H04R 1/1066  
381/378  
8,767,996 B1 \* 7/2014 Lin ..... H04R 1/1091  
381/370  
D719,136 S \* 12/2014 Schaal ..... D14/205  
D721,052 S \* 1/2015 Carr ..... D14/205  
D761,761 S \* 7/2016 Ando ..... D14/205  
D765,055 S \* 8/2016 Hsieh ..... D14/205  
D766,207 S \* 9/2016 Paterson ..... D14/205  
D766,208 S \* 9/2016 Paterson ..... D14/205  
2005/0053255 A1 \* 3/2005 Harris ..... H04R 5/0335  
381/379  
2012/0140973 A1 \* 6/2012 Olodort ..... H04R 1/1066  
381/375

\* cited by examiner

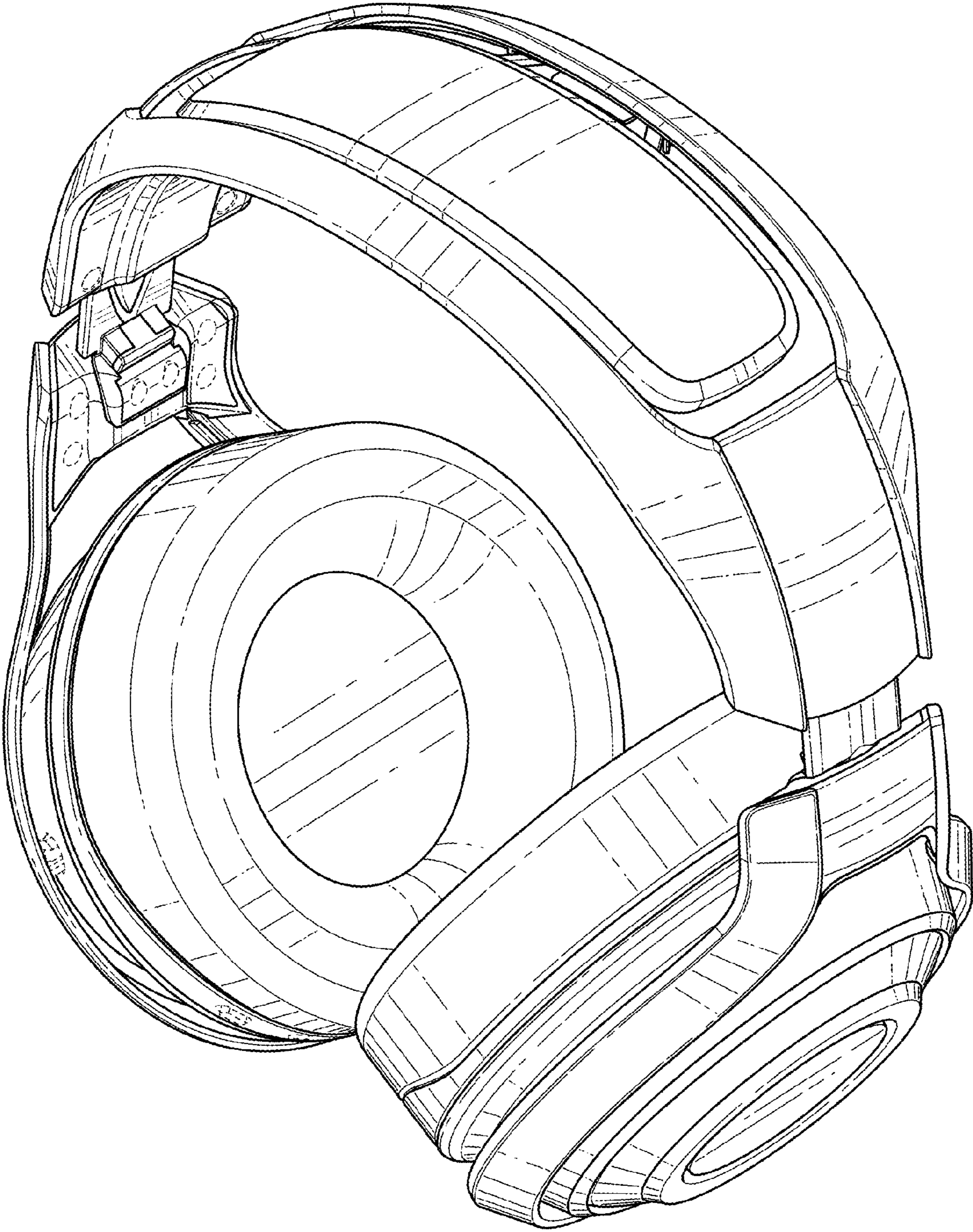


FIG. 1



FIG. 2



FIG. 3



FIG. 4

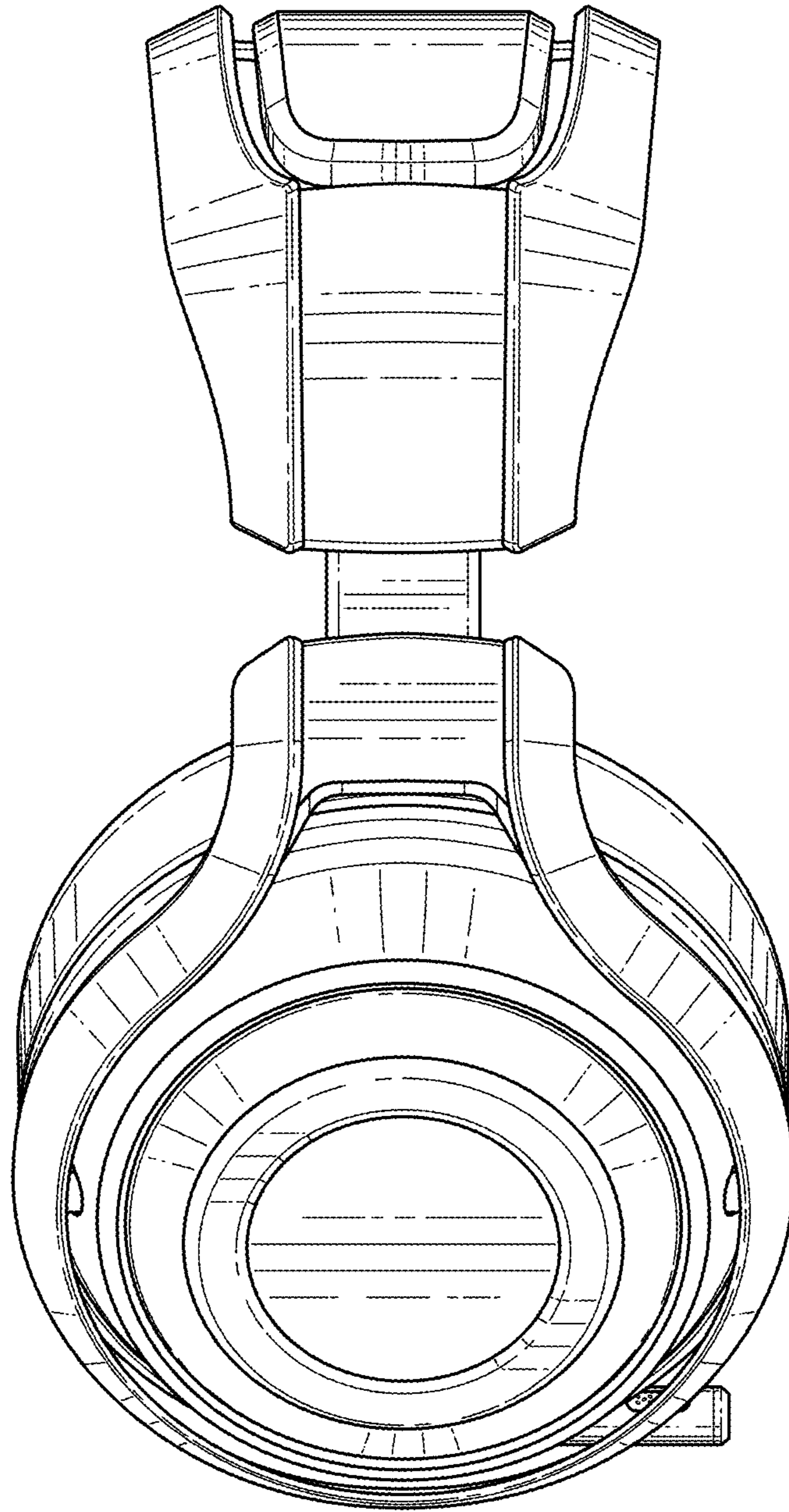


FIG. 5

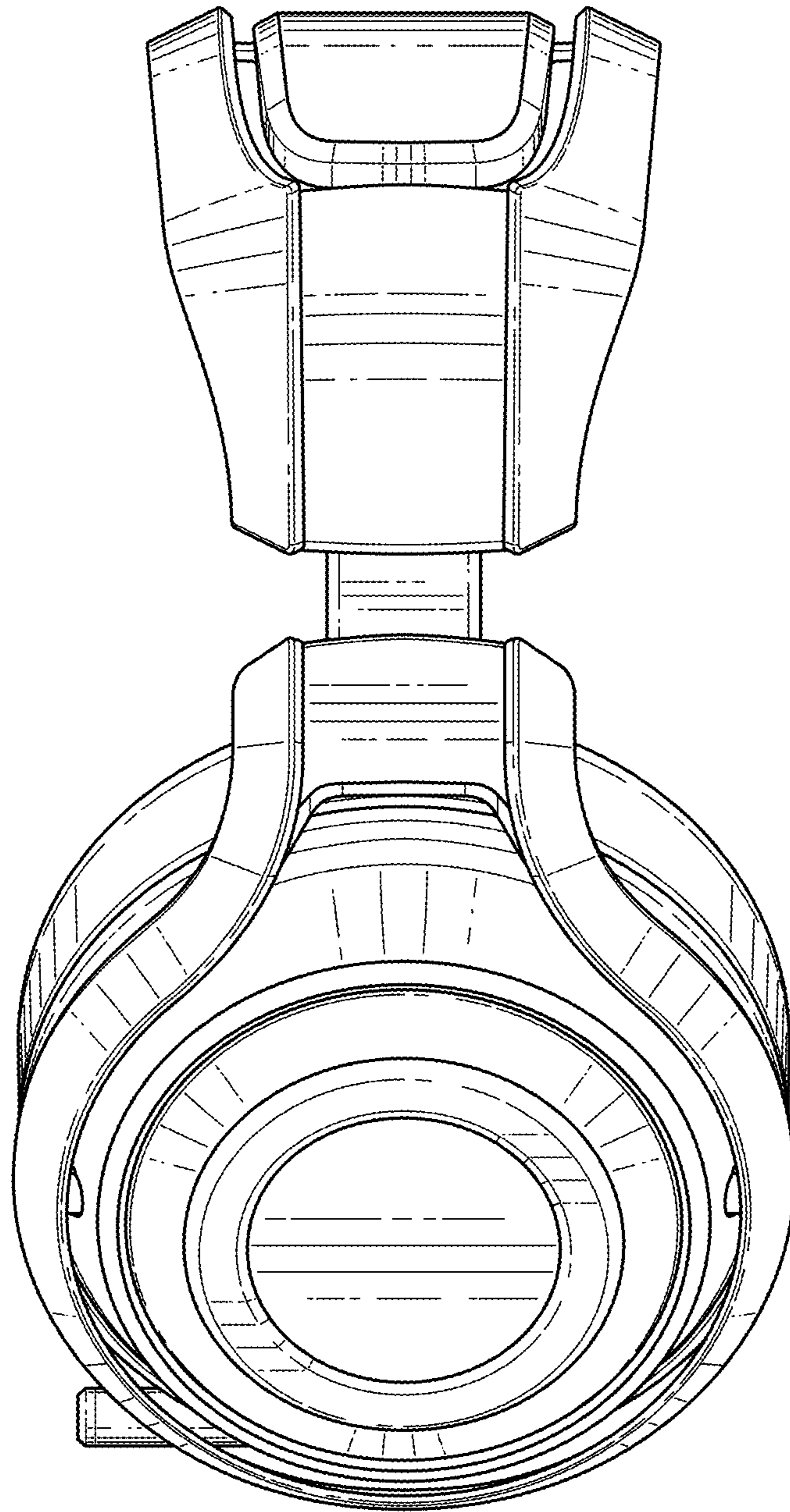


FIG. 6



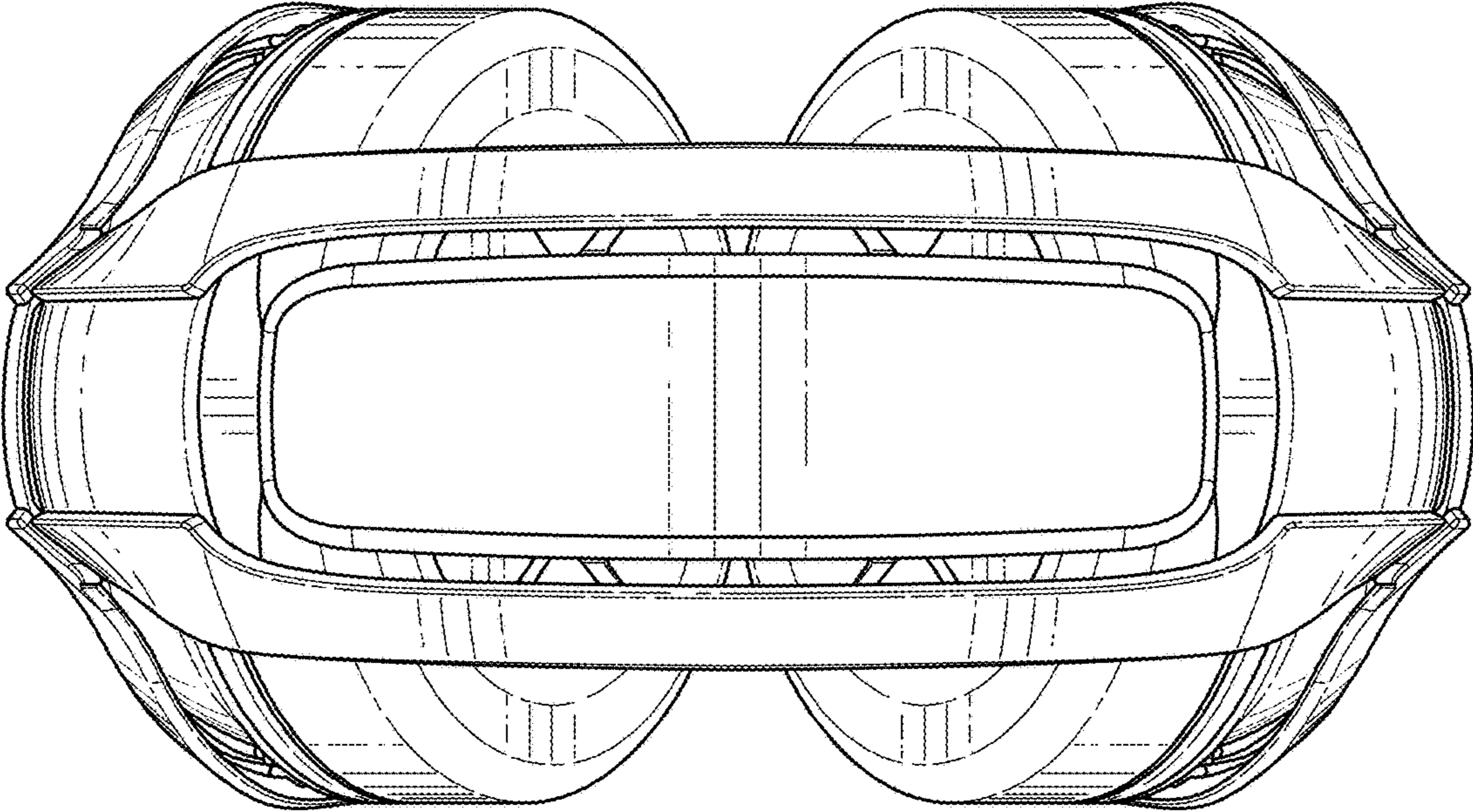


FIG. 7

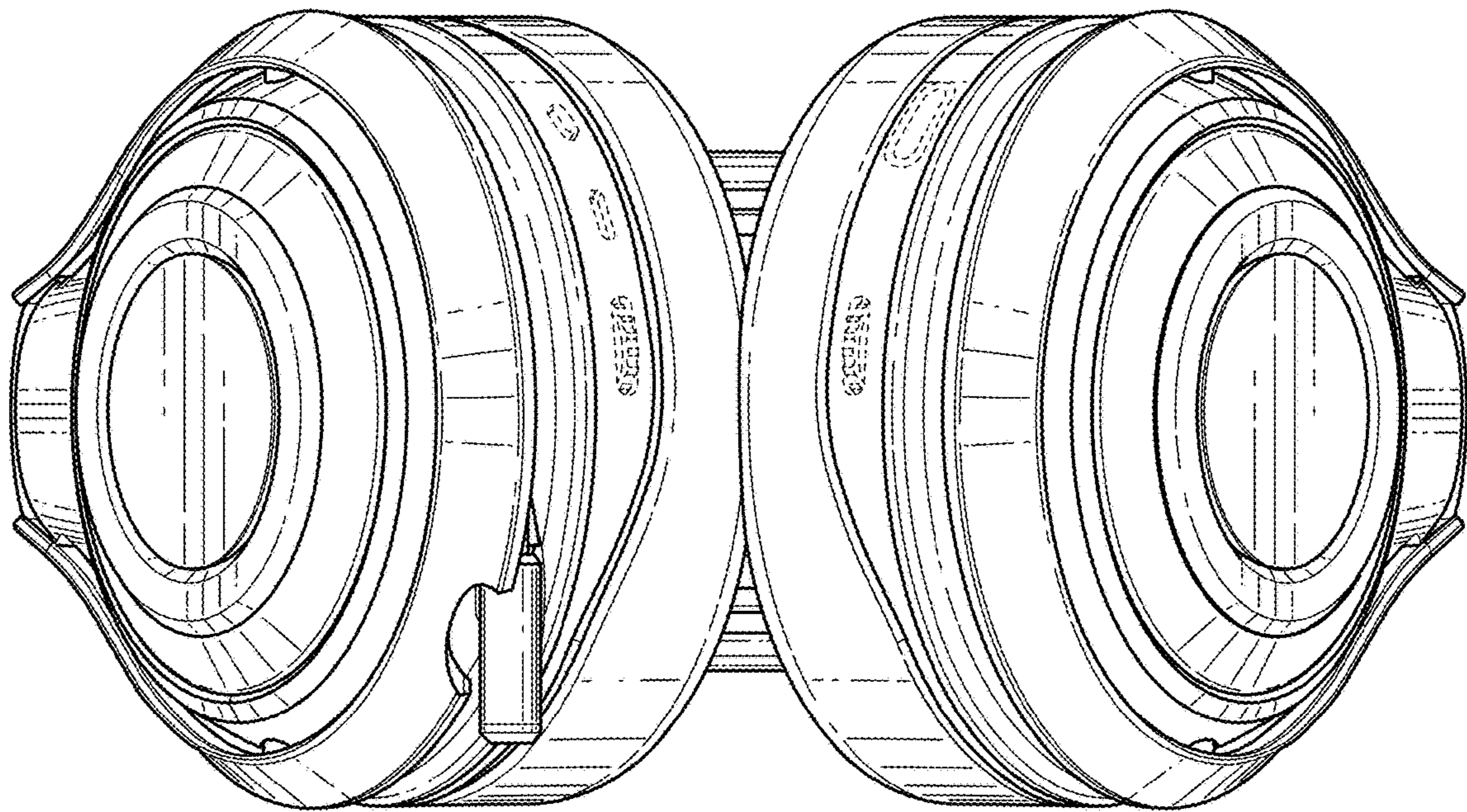


FIG. 8