



US00D778256S

(12) **United States Design Patent**  
**Jung**

(10) **Patent No.:** **US D778,256 S**

(45) **Date of Patent:** **\*\* Feb. 7, 2017**

(54) **EARSET**

(71) Applicant: **LG ELECTRONICS INC.**, Seoul (KR)

(72) Inventor: **Wonchul Jung**, Seoul (KR)

(73) Assignee: **LG ELECTRONICS INC.**, Seoul (KR)

(\*\*) Term: **15 Years**

(21) Appl. No.: **29/538,748**

(22) Filed: **Sep. 8, 2015**

(30) **Foreign Application Priority Data**

Mar. 9, 2015 (KR) ..... 30-2015-0011735

(51) **LOC (10) Cl.** ..... **14-01**

(52) **U.S. Cl.**  
USPC ..... **D14/205**

(58) **Field of Classification Search**  
USPC ..... D14/205, 223, 192; 181/129, 130, 135;  
379/430, 431, 420, 428.01; 381/380, 381;  
455/90.3, 575.1

CPC ..... H04R 25/00; H04R 1/10; H04R 1/1033;  
H04R 1/1016

See application file for complete search history.

(56) **References Cited**

**U.S. PATENT DOCUMENTS**

D212,863 S *	12/1968	Roberts	.....	351/158
D269,611 S *	7/1983	Saito	.....	D14/205
D287,765 S *	1/1987	Topholm	.....	D24/174
D295,173 S *	4/1988	Oren	.....	D14/168
D316,550 S *	4/1991	Sogabe	.....	D14/168
D318,670 S *	7/1991	Taniguchi	.....	D14/205
D326,655 S *	6/1992	Iribe	.....	D14/192
D334,043 S *	3/1993	Taniguchi	.....	D14/218
5,222,151 A *	6/1993	Nagayoshi	.....	H04R 1/1016 381/313

D371,133 S *	6/1996	Andrea	.....	D14/206
D391,572 S *	3/1998	Lee	.....	D14/192
D430,139 S *	8/2000	Peters	.....	D14/192
6,122,369 A *	9/2000	Hwang	.....	H04M 1/6058 379/420.03
D448,359 S *	9/2001	Do	.....	D14/223
D461,787 S *	8/2002	Brown	.....	D14/192
D464,945 S *	10/2002	Bosch	.....	D14/206
D481,377 S *	10/2003	Eguchi	.....	D14/223
D511,157 S *	11/2005	Johnson	.....	D14/223
D526,642 S *	8/2006	Choe	.....	D14/205
D567,216 S *	4/2008	Densho	.....	D14/205
D569,841 S *	5/2008	Chung	.....	D14/205
D577,003 S *	9/2008	Yang	.....	D14/206
D605,170 S *	12/2009	Keinanen	.....	D14/205
7,664,540 B2 *	2/2010	Tsai	.....	H04M 1/05 455/575.2

(Continued)

*Primary Examiner* — Paula Greene

(74) *Attorney, Agent, or Firm* — Birch, Stewart, Kolasch & Birch, LLP

(57) **CLAIM**

The ornamental design for an earset, as shown and described.

**DESCRIPTION**

FIG. 1 is a perspective view of an earset showing my new design;

FIG. 2 is a front view thereof;

FIG. 3 is a rear view thereof;

FIG. 4 is a left side view thereof;

FIG. 5 is a right side view thereof;

FIG. 6 is a top plan view thereof;

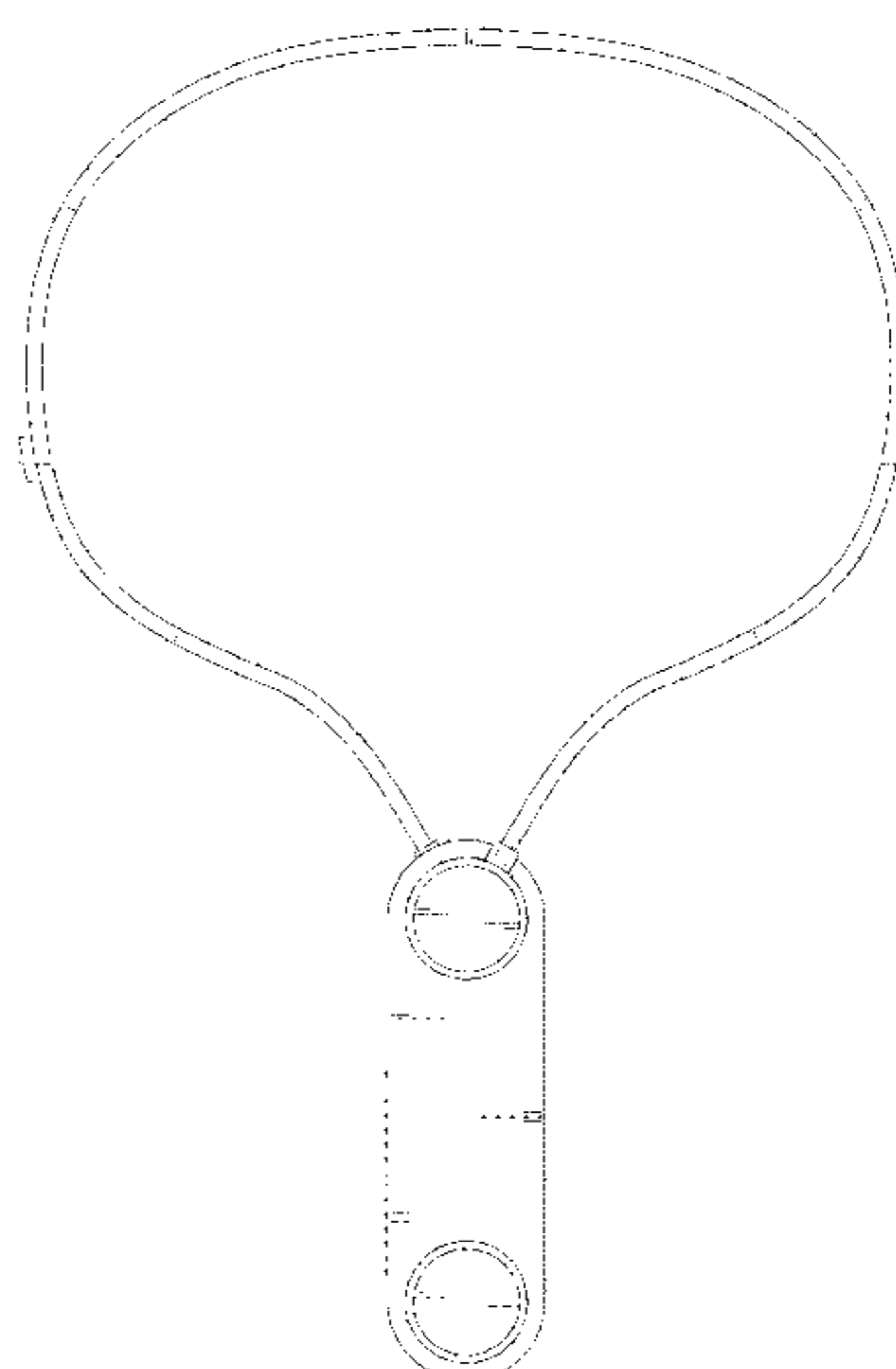
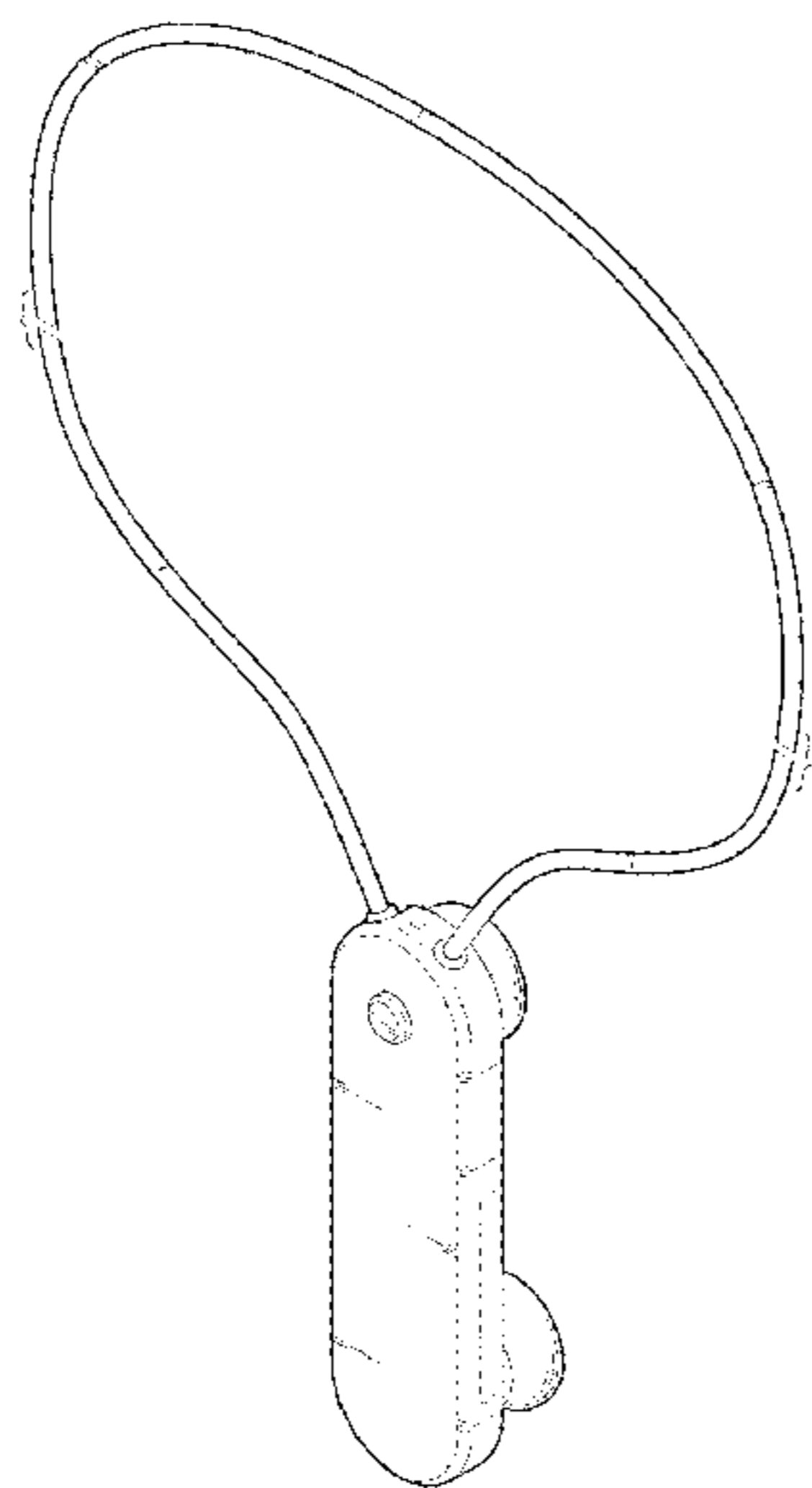
FIG. 7 is a bottom plan view thereof;

FIG. 8 is a perspective view thereof showing the state that the upper earphone part is detached; and,

FIG. 9 is a reference view thereof showing an example of the usage of the subject design.

The broken lines depict portions of the earset that form no part of the claimed design.

**1 Claim, 8 Drawing Sheets**



(56)

**References Cited**

U.S. PATENT DOCUMENTS

D626,112 S *	10/2010	Kao	.....	D14/205
D640,241 S *	6/2011	Wai	.....	D14/223
D643,414 S *	8/2011	Lee	.....	D14/205
D652,822 S *	1/2012	Lee	.....	D14/223
D666,581 S *	9/2012	Perez	.....	D14/223
D697,049 S *	1/2014	Krauss	.....	D14/205
D739,377 S *	9/2015	Yeom	.....	D14/205
2003/0142817 A1 *	7/2003	Liao	.....	H02J 7/0054
				379/428.01
2006/0126882 A1 *	6/2006	Deng	.....	H04R 1/1033
				381/381
2008/0317274 A1 *	12/2008	Kim	.....	H04R 1/1058
				381/370

\* cited by examiner

FIG. 1

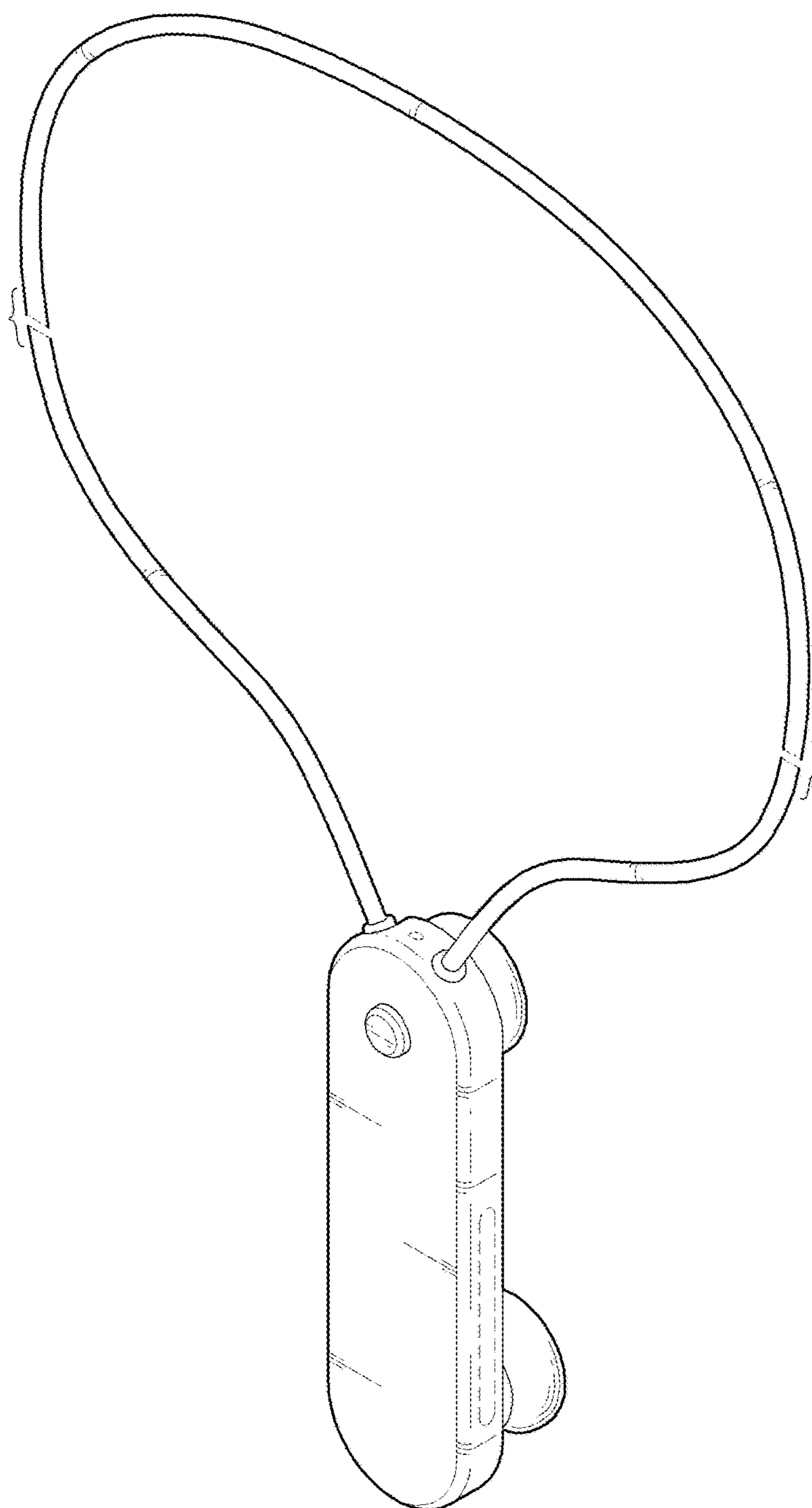


FIG. 2

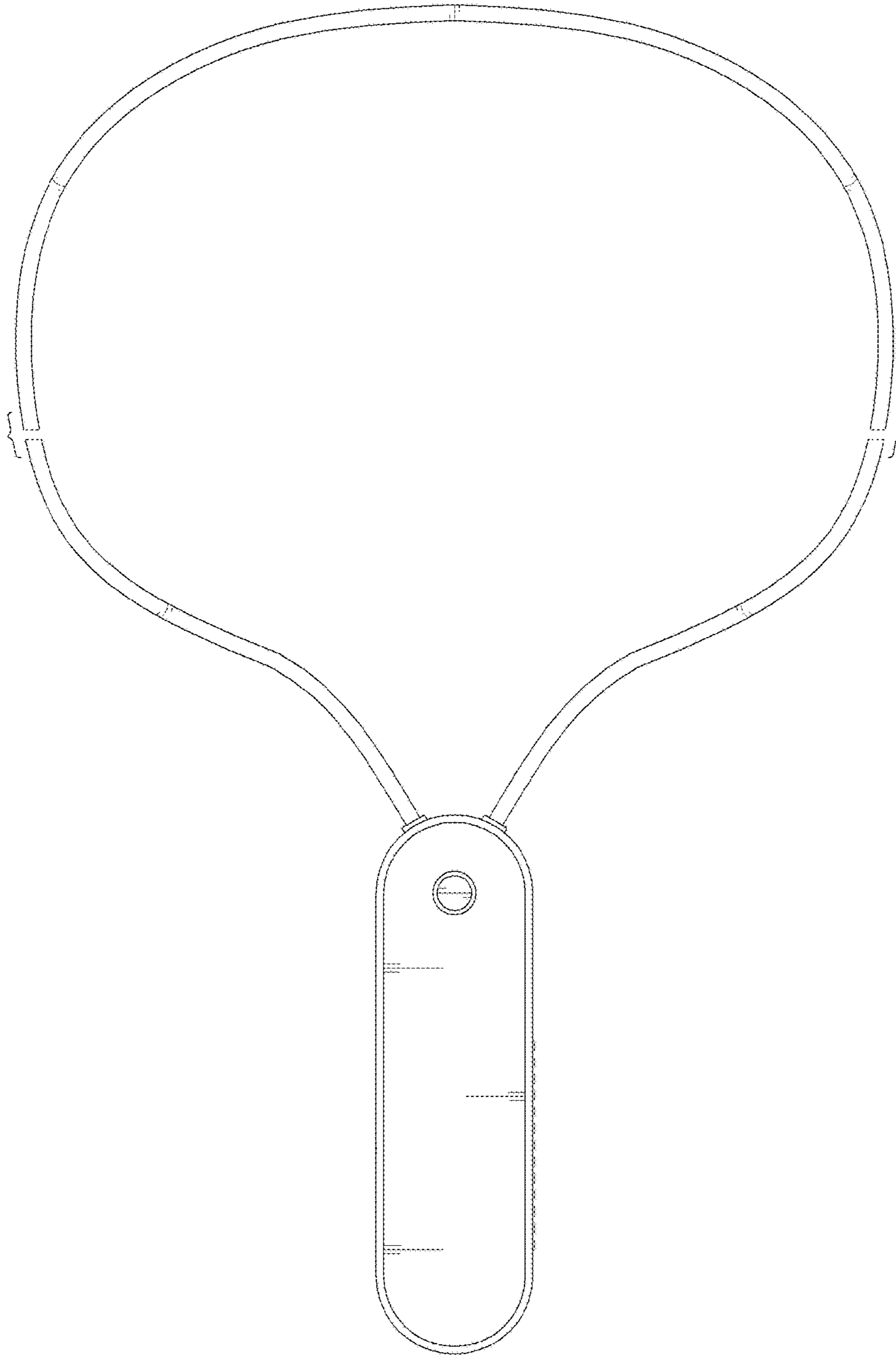


FIG. 3

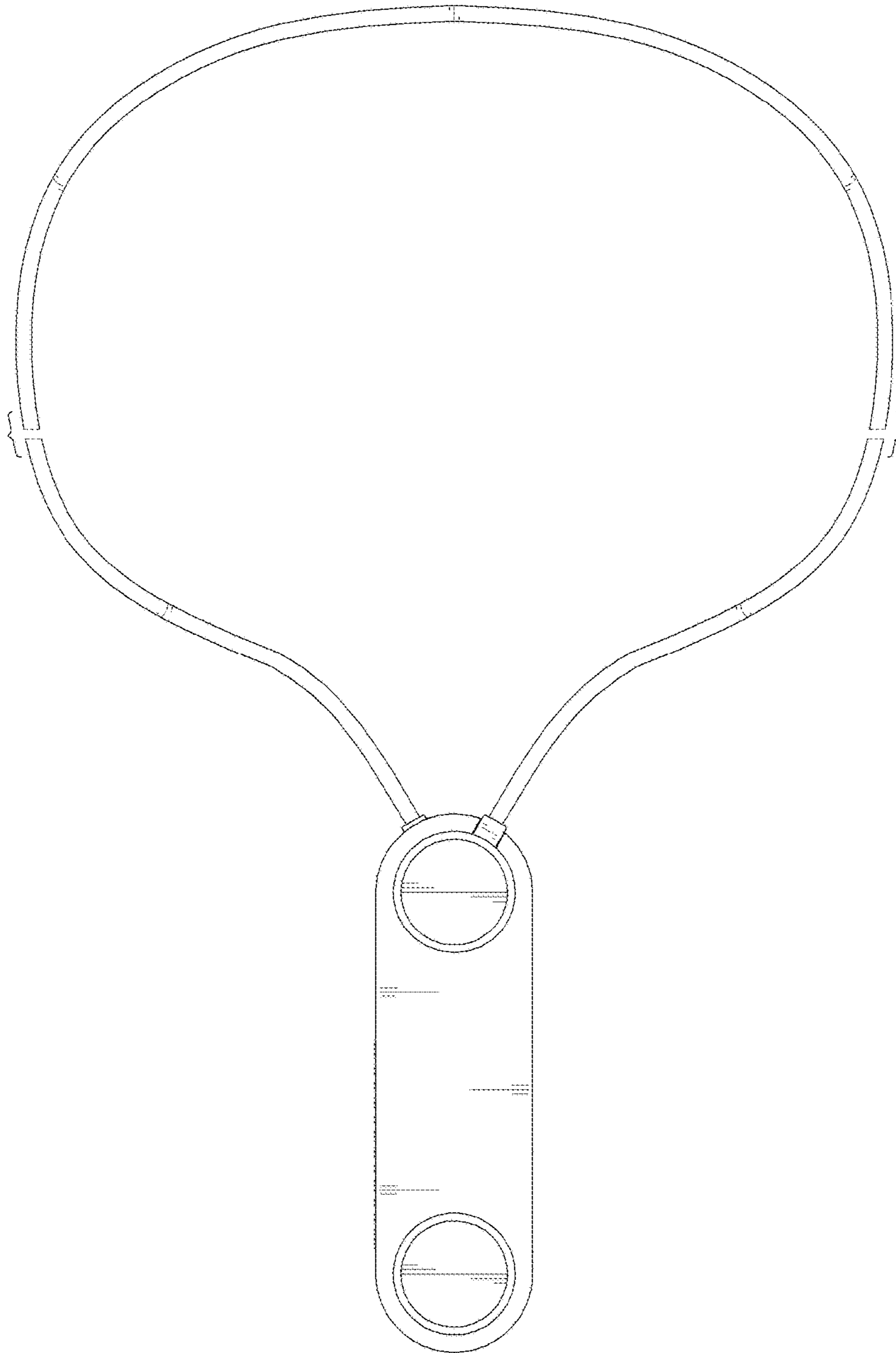


FIG. 4

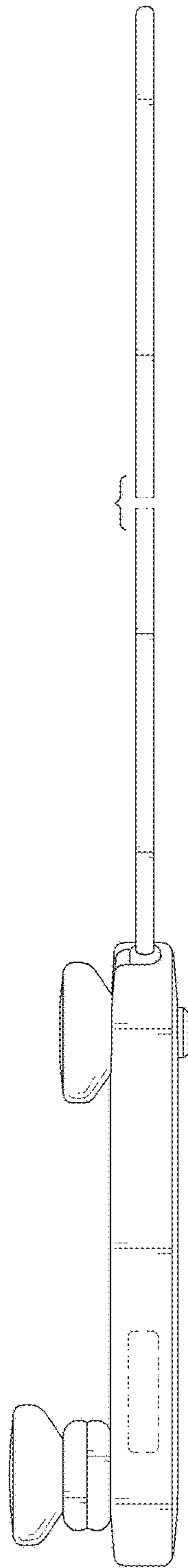


FIG. 5

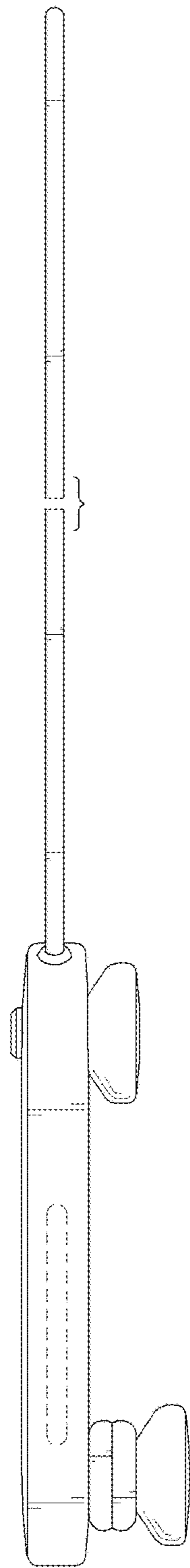


FIG. 6

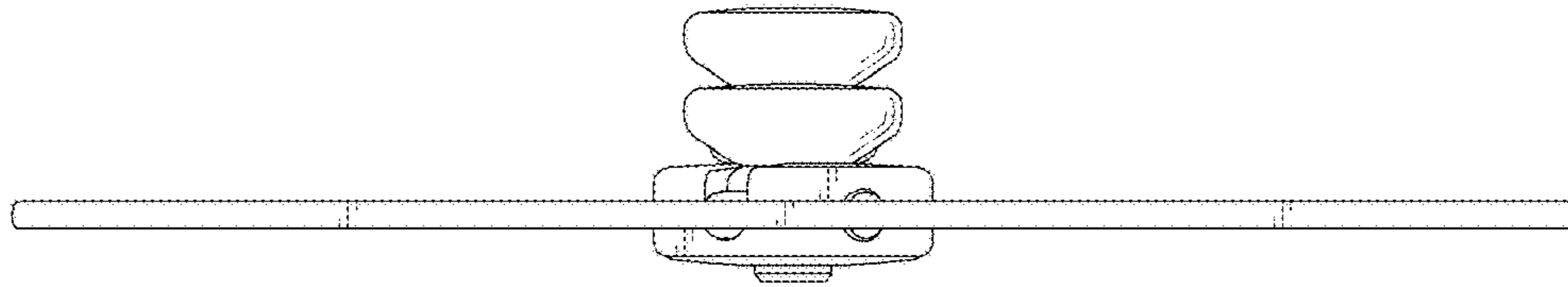


FIG. 7

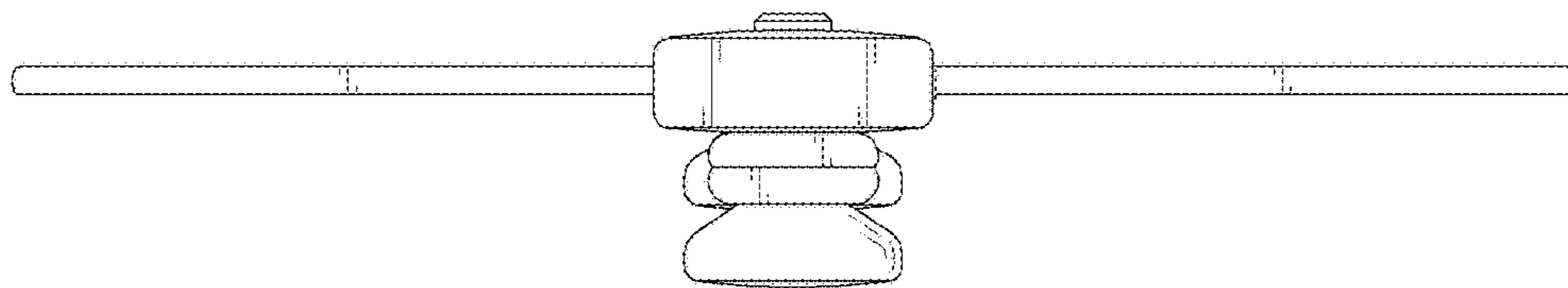




FIG. 8

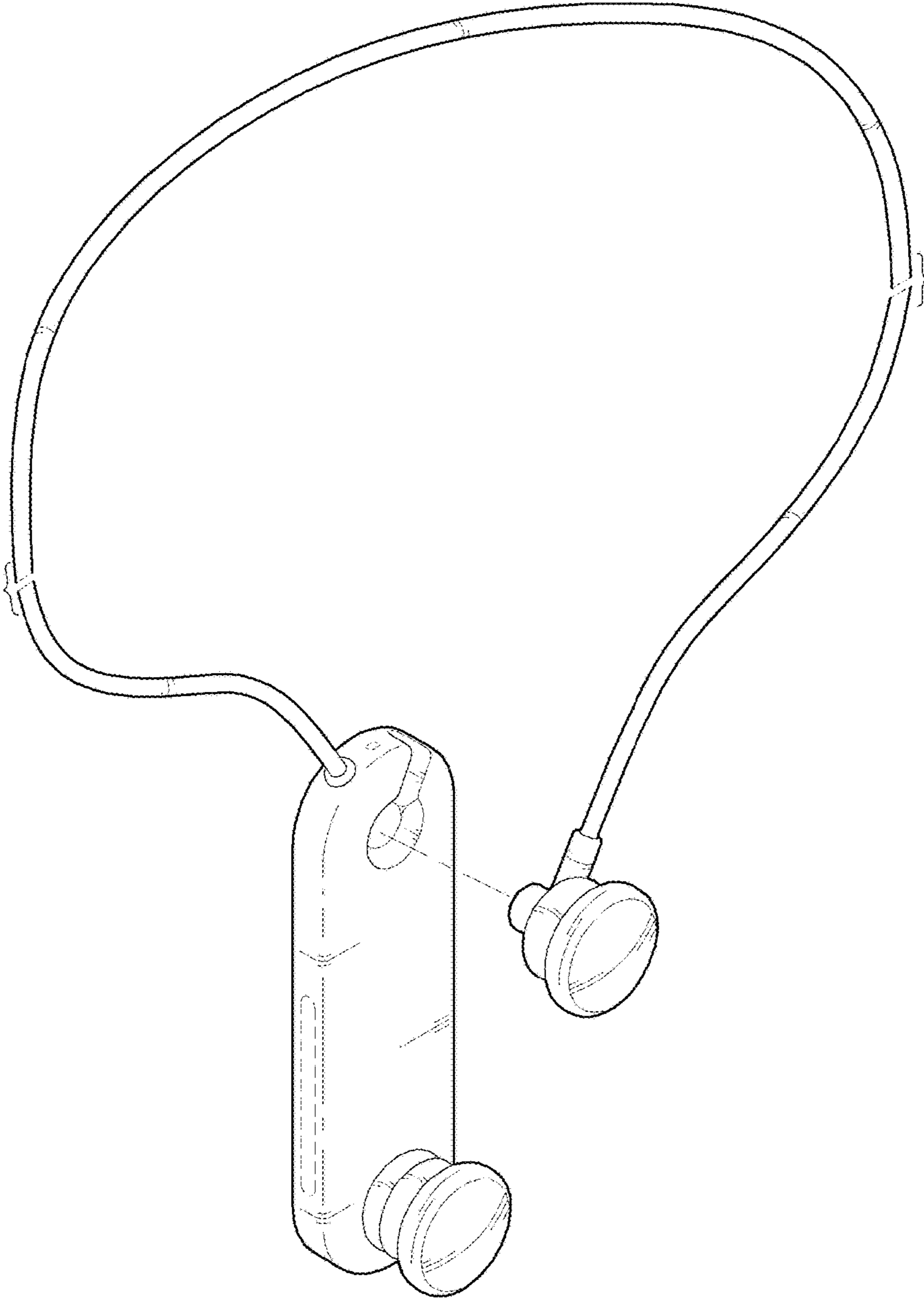


FIG. 9

