



US00D778255S

(12) **United States Design Patent** (10) **Patent No.:** **US D778,255 S**  
**Brunner et al.** (45) **Date of Patent:** **\*\* Feb. 7, 2017**

- (54) **AUDIO LISTENING SYSTEM**
- (71) Applicant: **Apple Inc.**, Cupertino, CA (US)
- (72) Inventors: **Robert Brunner**, San Francisco, CA (US); **Gregoire Vandebussche**, San Francisco, CA (US); **Christopher Fruhauf**, San Anselmo, CA (US)
- (73) Assignee: **APPLE INC.**, Cupertino, CA (US)
- (\*\*) Term: **14 Years**
- (21) Appl. No.: **29/526,277**
- (22) Filed: **May 7, 2015**

**Related U.S. Application Data**

- (60) Continuation of application No. 29/488,470, filed on Apr. 18, 2014, now Pat. No. Des. 729,198, which is a division of application No. 29/475,634, filed on Dec. 4, 2013, now Pat. No. Des. 704,163, which is a continuation of application No. 29/417,832, filed on Apr. 9, 2012, now Pat. No. Des. 696,226, which is a division of application No. 29/382,418, filed on Jan. 3, 2011, now Pat. No. Des. 657,345.
- (51) **LOC (10) Cl.** ..... **14-01**
- (52) **U.S. Cl.**  
USPC ..... **D14/205**
- (58) **Field of Classification Search**  
USPC ..... D14/205, 188, 192; D29/112; 2/209; D12/20, 110, 111, 114, 118, 127, 400, D12/406, 420, 223; D8/373, 354, 349; 181/129, 130, 181/135; 379/430, 431; 381/380, 381, 74, 374; 455/90.3, 575.1  
CPC ..... H04R 5/033; H04R 5/0335; H04R 1/1066; H04R 1/1016  
See application file for complete search history.

(56) **References Cited**

U.S. PATENT DOCUMENTS

1,066,511	A	7/1913	Markoff	
1,606,165	A	11/1926	Glenn	
2,025,385	A	12/1935	Grace et al.	
2,149,341	A	3/1939	Harrison	
2,437,049	A *	3/1948	Salisbury	A61F 11/14 128/866
2,481,387	A	9/1949	Bonecutter	
2,487,787	A	11/1949	Brown	
2,653,193	A	9/1953	Anderson	
2,689,909	A *	9/1954	Dazley	F21V 21/30 248/229.1

(Continued)

**FOREIGN PATENT DOCUMENTS**

GB	2072035	B	2/1984
JP	D1318386		5/1986

(Continued)

**OTHER PUBLICATIONS**

Office Action dated Dec. 10, 2010 for Russian Patent Application No. 2010501890.

(Continued)

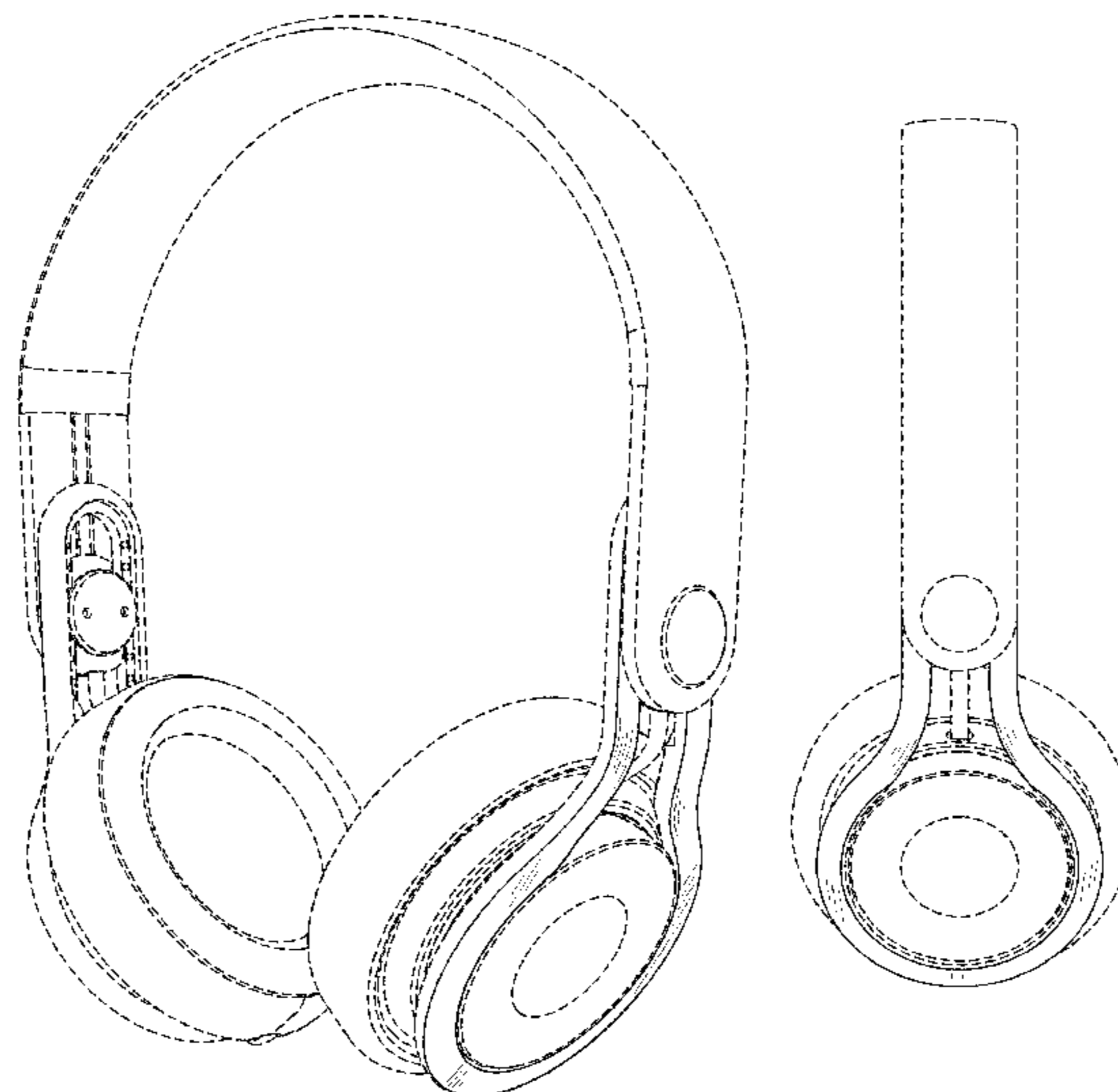
*Primary Examiner* — Paula Greene  
(74) *Attorney, Agent, or Firm* — Sterne, Kessler, Goldstein & Fox P.L.L.C.

(57) **CLAIM**  
The ornamental design for an audio listening system, as shown and described.

**DESCRIPTION**

FIG. 1 is a front right perspective view of an audio listening system showing our new design; FIG. 2 is a front view thereof; FIG. 3 is a right side view thereof; and, FIG. 4 is a bottom view thereof. The broken lines in the figures show portions of the audio listening system that form no part of the claimed design.

**1 Claim, 3 Drawing Sheets**



(56)

References Cited

U.S. PATENT DOCUMENTS

2,993,962 A 7/1961 Hothem  
 3,104,398 A 9/1963 Palmaer  
 3,219,302 A \* 11/1965 Smith ..... A47G 1/20  
 248/218.3  
 D203,677 S 2/1966 Spilman  
 3,245,547 A \* 4/1966 Felkay ..... A47F 5/0823  
 211/66  
 3,943,574 A 3/1976 Yamaguchi et al.  
 D244,300 S 5/1977 Besasie  
 4,048,453 A 9/1977 Seidel  
 4,069,512 A \* 1/1978 Palmaer ..... A42B 3/166  
 2/209  
 4,173,715 A 11/1979 Gosman  
 D254,183 S 2/1980 Doodson  
 D254,876 S 5/1980 Reitenga  
 4,571,746 A 2/1986 Gorike  
 4,609,786 A 9/1986 Omoto et al.  
 4,634,816 A 1/1987 O'Malley et al.  
 4,875,233 A 10/1989 Derhaag  
 D313,092 S 12/1990 Nilsson  
 5,018,599 A 5/1991 Dohi et al.  
 5,035,005 A 7/1991 Hung  
 D328,074 S 7/1992 Yamazaki et al.  
 D328,461 S 8/1992 Daido et al.  
 D338,010 S 8/1993 Yamatogi  
 D342,071 S 12/1993 Wright et al.  
 D351,172 S 10/1994 Nakamura et al.  
 D353,821 S 12/1994 Hammer et al.  
 D358,389 S 5/1995 Isono  
 D375,825 S 11/1996 Whidden  
 D403,128 S 12/1998 Scanlon et al.  
 D420,356 S 2/2000 Suzuki  
 D422,592 S 4/2000 Deguchi  
 D427,382 S \* 6/2000 Leight ..... D29/112  
 6,081,604 A 6/2000 Hikichi et al.  
 D430,140 S 8/2000 Roman  
 6,141,894 A \* 11/2000 Thalendorf ..... A47F 5/0869  
 211/57.1  
 D435,249 S 12/2000 Yasutomi  
 6,163,615 A 12/2000 Callahan  
 6,195,839 B1 3/2001 Patterson et al.  
 D457,512 S 5/2002 Yoneda  
 6,449,806 B1 9/2002 Engelhard et al.  
 D468,723 S 1/2003 Pham  
 6,611,963 B2 9/2003 Woo et al.  
 D484,485 S 12/2003 Matsuoka  
 6,654,966 B2 12/2003 Rolla et al.  
 D484,868 S 1/2004 Suzuki  
 6,678,897 B2 1/2004 Lindgren  
 D491,163 S 6/2004 Green  
 D502,938 S 3/2005 Tokioka  
 D504,883 S 5/2005 Jacobson et al.  
 D512,381 S 12/2005 Sirichai et al.  
 D512,708 S 12/2005 Harris, Jr. et al.  
 D512,981 S 12/2005 Jacobson et al.  
 D517,043 S 3/2006 Jacobson et al.  
 D519,497 S 4/2006 Kamiyama  
 7,072,483 B2 7/2006 Lenhard-Backhaus  
 D532,407 S 11/2006 Motoishi  
 D534,155 S 12/2006 Obata  
 D534,156 S 12/2006 Obata  
 7,172,052 B2 2/2007 Lenhard-Backhaus  
 D539,788 S 4/2007 Thompson  
 D540,301 S 4/2007 Obata  
 D540,303 S 4/2007 Rausch et al.  
 D541,255 S 4/2007 Taylor  
 D541,256 S 4/2007 Rausch et al.  
 D541,257 S 4/2007 Thursfield  
 D552,077 S 10/2007 Brunner et al.  
 D557,684 S 12/2007 Pundsack  
 D560,654 S 1/2008 Feng  
 D563,382 S 3/2008 Wikel  
 D563,995 S 3/2008 Deguchi et al.  
 D570,825 S 6/2008 Schultz et al.  
 D582,890 S 12/2008 Koza

D584,715 S 1/2009 Brennwald  
 D585,870 S 2/2009 Zheng  
 D585,871 S 2/2009 Lee  
 D585,872 S 2/2009 Lee  
 D588,098 S 3/2009 Kurihara  
 D588,100 S 3/2009 Densho  
 D591,263 S 4/2009 Shimizu  
 D592,182 S 5/2009 Sanguinetti  
 D592,640 S 5/2009 Tkachuk  
 D593,995 S 6/2009 Shimizu  
 D600,674 S 9/2009 Brennwald  
 D603,370 S 11/2009 Suzuki  
 D603,371 S 11/2009 Boateng et al.  
 D616,865 S 6/2010 Marchand  
 D617,769 S 6/2010 Birger  
 7,735,154 B2 6/2010 Gellis et al.  
 D625,705 S 10/2010 Ohari et al.  
 D632,668 S 2/2011 Brunner et al.  
 D633,896 S 3/2011 Kondo  
 D635,959 S 4/2011 Hutchieson  
 D637,176 S 5/2011 Brunner et al.  
 D637,998 S 5/2011 Brunner et al.  
 D637,999 S 5/2011 Brunner et al.  
 D638,000 S 5/2011 Hoggarth  
 D639,776 S 6/2011 Arimoto  
 D641,725 S 7/2011 Chong  
 D648,330 S 11/2011 Fischer  
 D652,017 S 1/2012 Groves  
 D652,405 S 1/2012 Lee  
 D652,406 S 1/2012 Lee  
 D654,471 S 2/2012 Fischer  
 D654,472 S 2/2012 Fischer  
 D657,344 S 4/2012 Brunner et al.  
 D657,345 S 4/2012 Brunner et al.  
 D657,776 S 4/2012 Lee et al.  
 D660,823 S 5/2012 Hardi et al.  
 D660,824 S 5/2012 Hardi et al.  
 D660,826 S 5/2012 Brunner et al.  
 D662,490 S 6/2012 McSweyn  
 D663,716 S 7/2012 Hardi et al.  
 D668,633 S 10/2012 Enquist  
 D671,914 S 12/2012 Lee et al.  
 D673,520 S 1/2013 Tan  
 D674,767 S 1/2013 Brunner et al.  
 D689,463 S 9/2013 Hardi et al.  
 D695,263 S 12/2013 Mogili  
 D696,226 S 12/2013 Brunner et al.  
 D702,210 S 4/2014 Birger  
 D704,163 S 5/2014 Brunner et al.  
 D707,200 S 6/2014 Yang  
 D709,860 S 7/2014 Brunner et al.  
 D716,760 S 11/2014 Brunner et al.  
 D720,721 S 1/2015 Lu  
 9,084,055 B2 7/2015 Brunner et al.  
 2003/0182713 A1 10/2003 Rolla  
 2004/0216946 A1 11/2004 Lenhard-Backhaus  
 2005/0053255 A1 3/2005 Harris et al.  
 2005/0226452 A1 10/2005 Amae et al.  
 2006/0001307 A1 1/2006 Embach  
 2006/0062417 A1 3/2006 Tachikawa  
 2006/0104471 A1 5/2006 Tsunoda et al.  
 2008/0056525 A1 3/2008 Fujiwara et al.  
 2009/0220118 A1 9/2009 Meier et al.  
 2010/0128884 A1 5/2010 Sapiejewski et al.  
 2010/0284558 A1 11/2010 Kimura et al.  
 2011/0206216 A1 8/2011 Brunner et al.  
 2014/0211976 A1 7/2014 Brunner et al.

FOREIGN PATENT DOCUMENTS

JP D1406347 10/1987  
 JP D1430542 3/1988  
 KR 30-0476152 1/2008

(56)

**References Cited**

FOREIGN PATENT DOCUMENTS

WO WO 2007103561 A2 9/2007  
WO WO 2012094176 A2 7/2012

OTHER PUBLICATIONS

Search Report dated Mar. 31, 2011 for Taiwan patent Application No. 099303306.

Search Report and Written Opinion for PCT Application No. PCT/US11/67045 dated Sep. 27, 2012.

Taiwan Office Action for Taiwan Application No. 101303990 dated Aug. 26, 2013.

Taiwan Office Action for Taiwan Application No. 101301117 dated Aug. 26, 2013.

Taiwan Office Action for Taiwan Application No. 102302000 dated Aug. 26, 2013.

\* cited by examiner



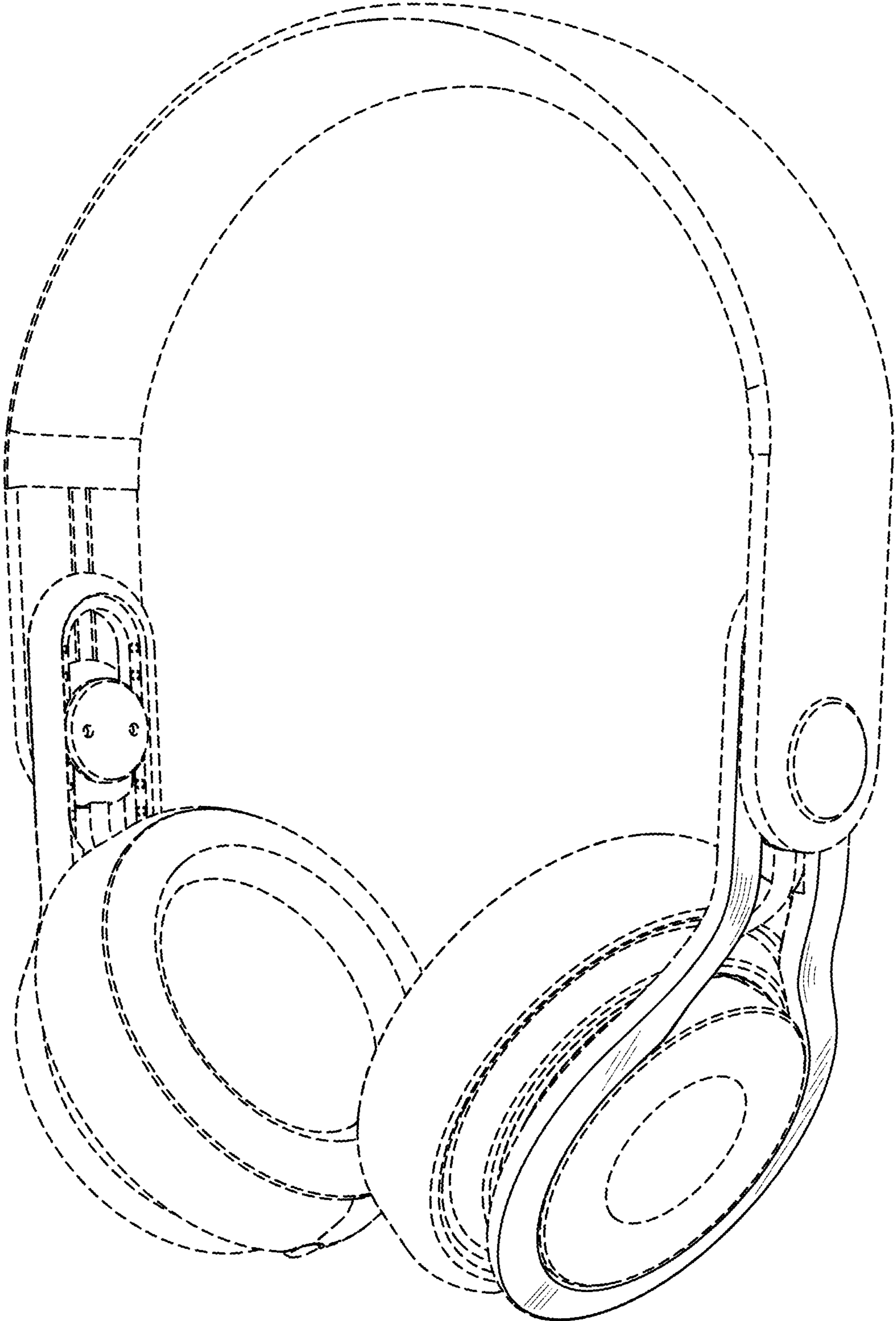


FIG. 1

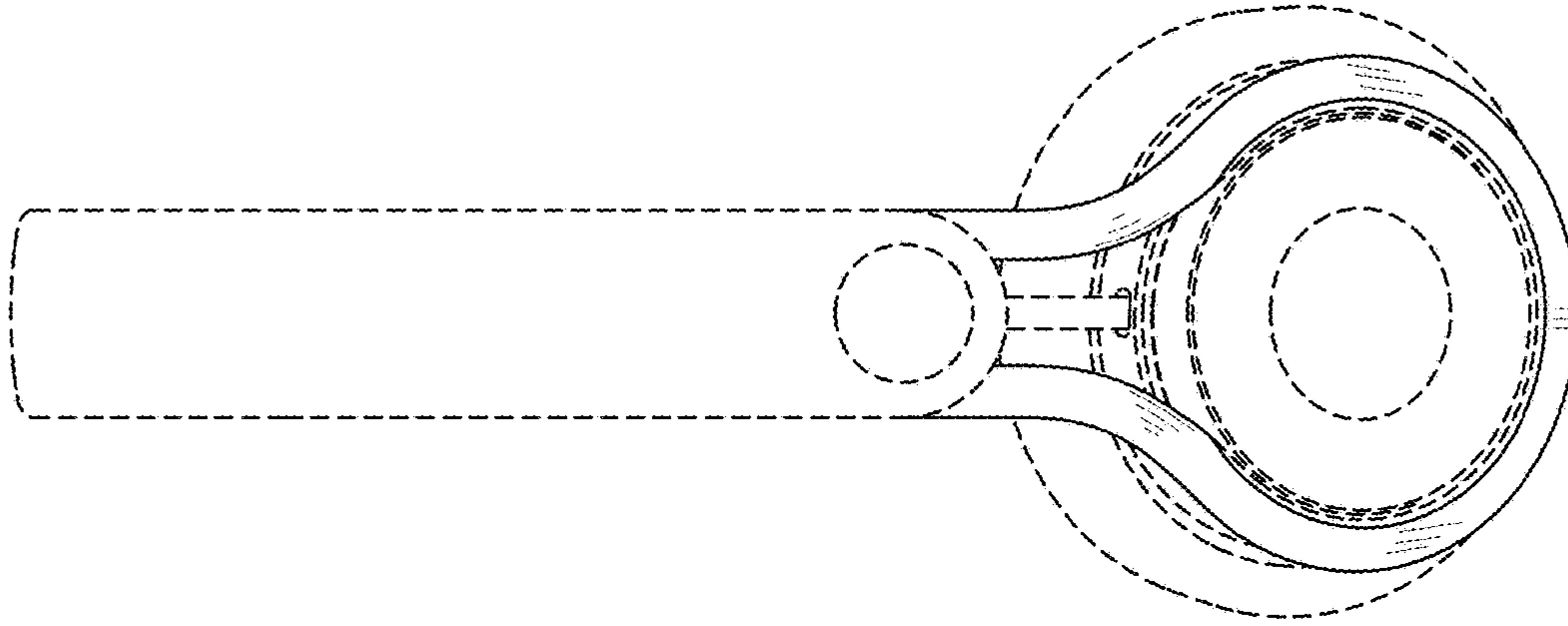


FIG. 3

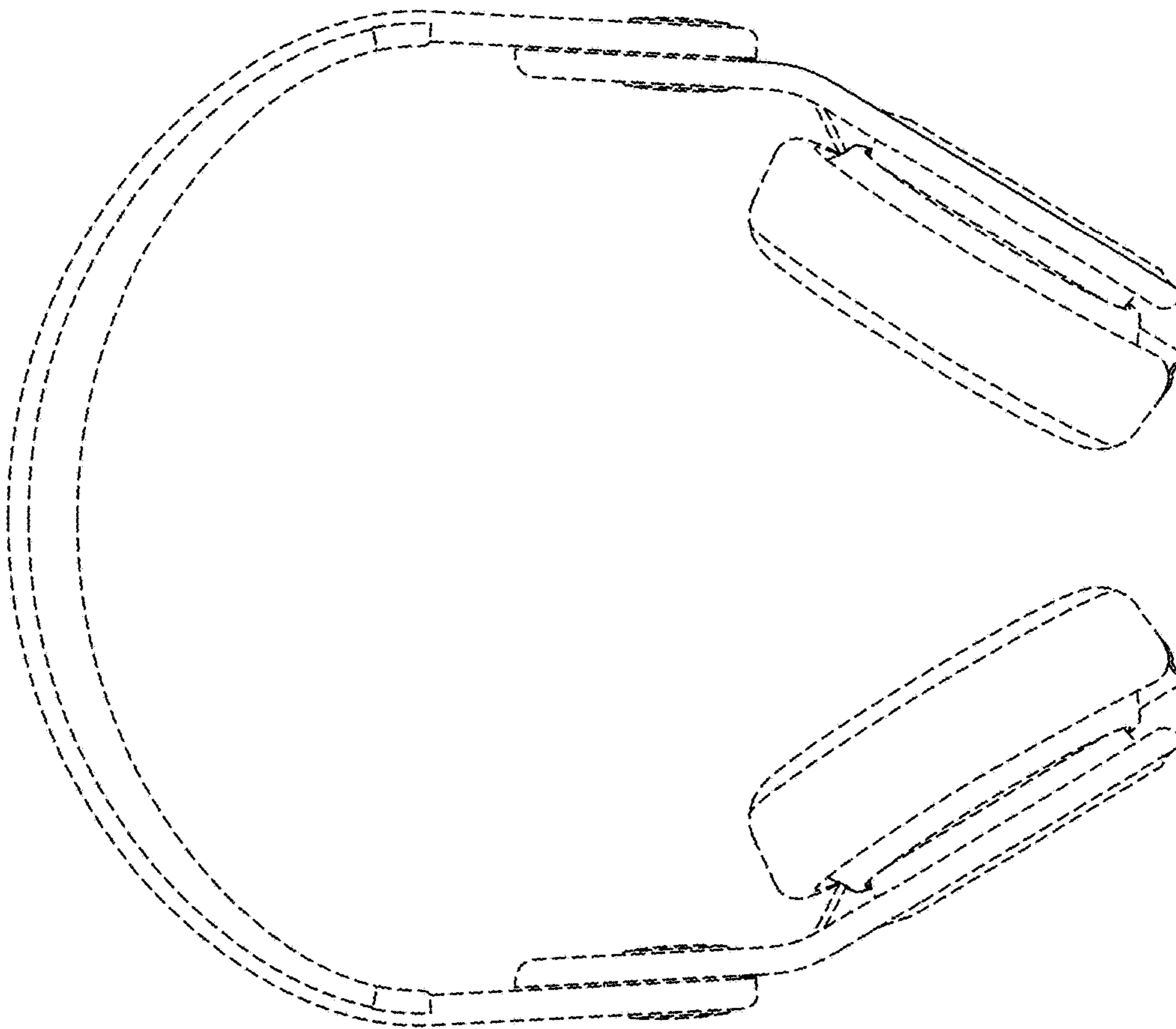


FIG. 2

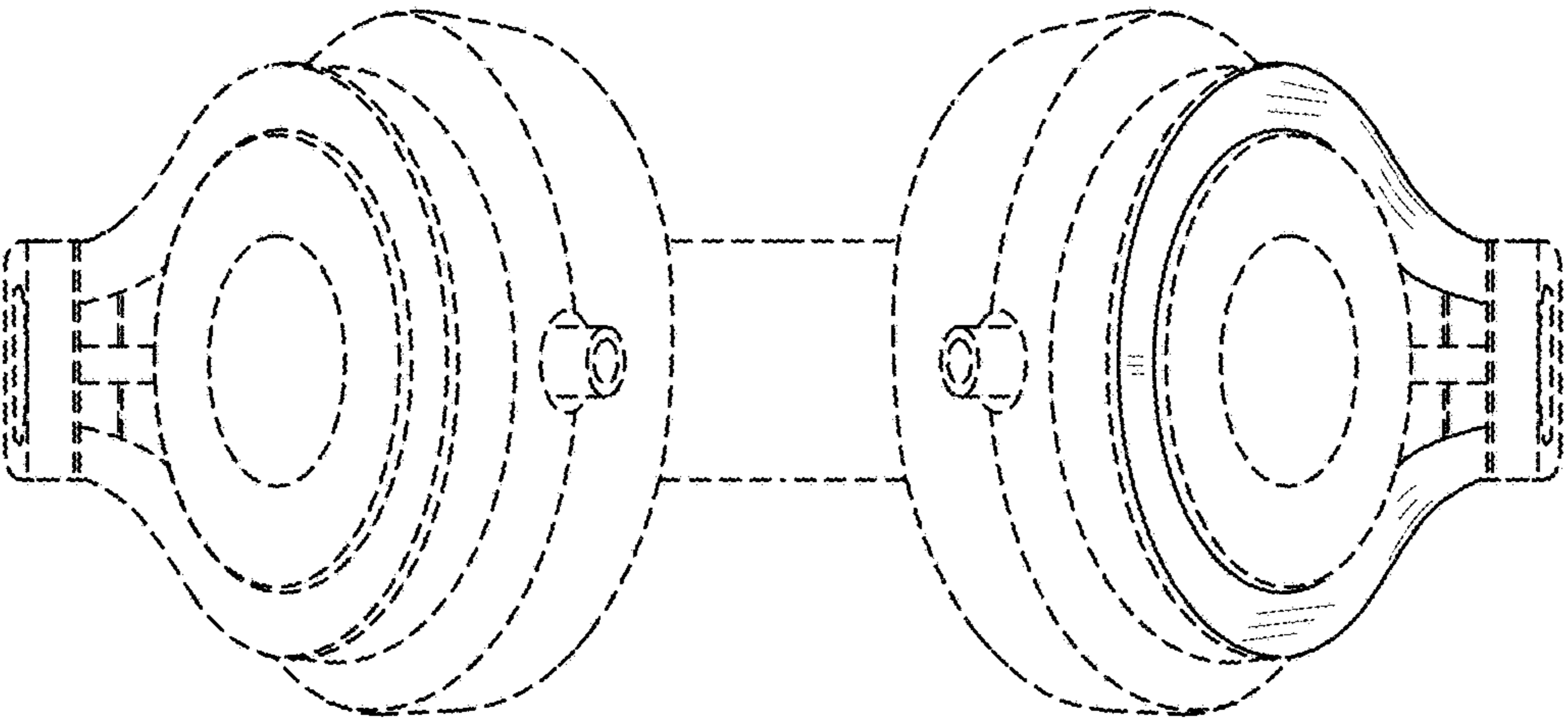


FIG. 4