



US00D778253S

(12) **United States Design Patent**  
**Kwak et al.**

(10) **Patent No.:** **US D778,253 S**

(45) **Date of Patent:** **\*\* Feb. 7, 2017**

(54) **MOBILE TERMINAL**

(71) Applicant: **Samsung Electronics Co., Ltd.**,  
Suwon-si (KR)

(72) Inventors: **Ji-Yeon Kwak**, Seoul (KR); **Hyun-Jin Kim**, Seoul (KR); **Hae-Yoon Park**, Seoul (KR); **Ki-O Lee**, Seoul (KR)

(73) Assignee: **Samsung Electronics Co., Ltd.**,  
Suwon-si (KR)

(\*\*) Term: **14 Years**

(21) Appl. No.: **29/506,278**

(22) Filed: **Oct. 14, 2014**

(30) **Foreign Application Priority Data**

Apr. 16, 2014 (KR) ..... 30-2014-0019182

(51) **LOC (10) Cl.** ..... **14-03**

(52) **U.S. Cl.**  
USPC ..... **D14/138 AB; D14/345**

(58) **Field of Classification Search**  
USPC ..... D14/138 AA, 138 AB, 138 AD, 138 G,  
D14/138 R, 341, 345, 203.7, 248, 496,  
D14/344; D10/65; 361/679.27; D27/186;  
D3/218, 247; D28/64.1; D6/300-302,  
D6/312; 40/124.2, 610, 774, 779, 780;  
D19/26  
CPC .... G06F 1/1652; G06F 1/1616; G06F 1/1618;  
G06F 1/1624; H04M 1/0222; H04M  
1/0254; H04M 1/0256

See application file for complete search history.

(56) **References Cited**

**U.S. PATENT DOCUMENTS**

D391,987 S \* 3/1998 Jambhekar ..... D14/315  
D584,726 S \* 1/2009 Morita ..... D14/341  
D603,398 S \* 11/2009 Watson ..... D14/345  
D626,124 S \* 10/2010 Chyan ..... D14/341  
D631,026 S \* 1/2011 Kim ..... D14/138 AA

D631,455 S \* 1/2011 Kim ..... D14/138 AB  
D635,567 S \* 4/2011 Rashid ..... D14/341  
D641,353 S \* 7/2011 Rashid ..... D14/341

(Continued)

**OTHER PUBLICATIONS**

“Samsung and LG both racing to out a foldable phone,” 2014 Samsung Flexible OLED display Phone shown therein, as posted at PhoneArena [online], posting date not available [site visited Jul. 28, 2016] Available from the Internet, <URL: [http://www.phonearena.com/news/Samsung-and-LG-both-racing-to-out-a-foldable-phone\\_id74741](http://www.phonearena.com/news/Samsung-and-LG-both-racing-to-out-a-foldable-phone_id74741)>.\*

(Continued)

*Primary Examiner* — Jeffrey D Asch  
*Assistant Examiner* — Rebekah A Caruso  
(74) *Attorney, Agent, or Firm* — NSIP Law

(57) **CLAIM**

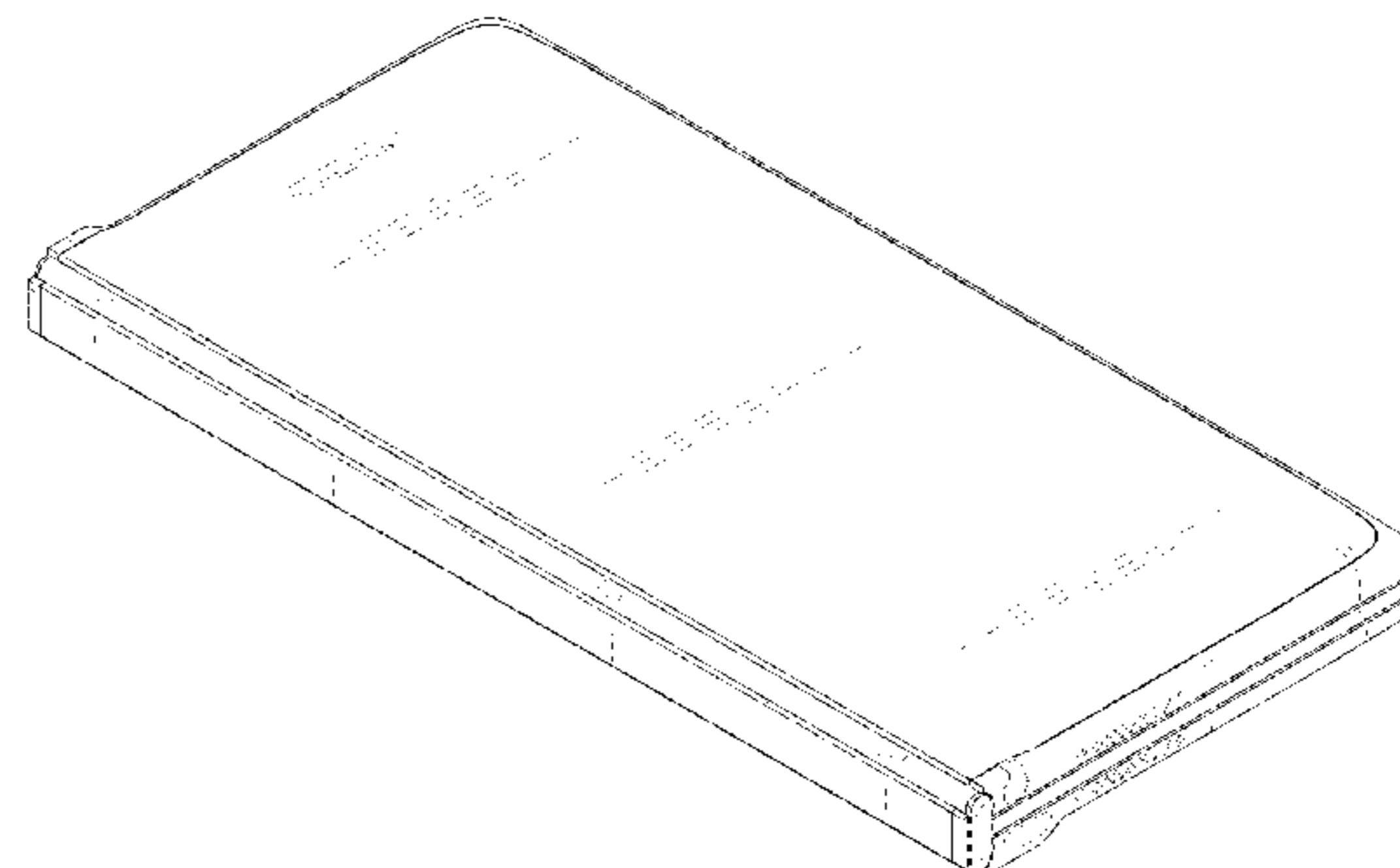
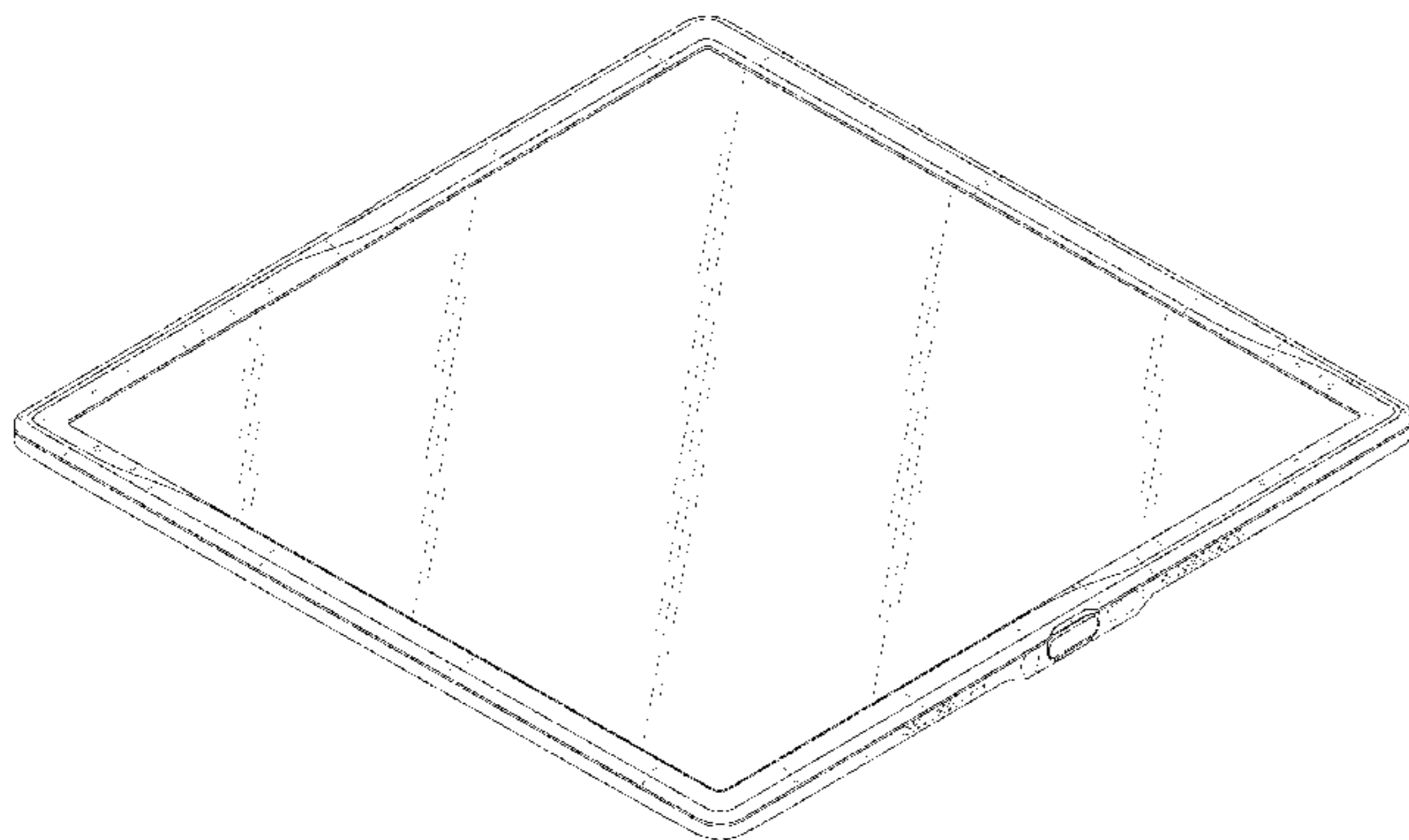
We claim the ornamental design for a mobile terminal, as shown and described.

**DESCRIPTION**

FIG. 1 is a top perspective view of a mobile terminal showing our new design;  
FIG. 2 is a front view thereof;  
FIG. 3 is a rear view thereof;  
FIG. 4 is a left-side view thereof;  
FIG. 5 is a right-side view thereof;  
FIG. 6 is a top view thereof;  
FIG. 7 is a bottom view thereof;  
FIG. 8 is a bottom perspective view thereof;  
FIG. 9 is a first perspective view thereof shown in a folded position; and,  
FIG. 10 is a second perspective view thereof shown in a folded position.

The broken lines shown in the figures that are immediately adjacent to the shaded areas and define unshaded regions represent the bounds of the claim. The broken lines within

(Continued)



broken line boundaries are directed to environment. The broken lines form no part of the claimed design.

**1 Claim, 8 Drawing Sheets**

(56)

**References Cited**

U.S. PATENT DOCUMENTS

D658,173 S \* 4/2012 Kim ..... D14/345  
 8,243,459 B2 \* 8/2012 Hoshino ..... G06F 1/1616  
 361/715  
 8,493,730 B2 \* 7/2013 Shim ..... G06F 1/1615  
 16/321  
 D693,323 S \* 11/2013 Kawase ..... D14/138 AB  
 D696,245 S \* 12/2013 Lee ..... D14/315  
 D696,693 S \* 12/2013 Kim ..... D14/341  
 D710,353 S \* 8/2014 Ahn ..... D14/345  
 D716,751 S \* 11/2014 Lee ..... D14/138 AB  
 D719,540 S \* 12/2014 Lee ..... D14/138 AB  
 D719,541 S \* 12/2014 Lee ..... D14/138 AB

D742,873 S \* 11/2015 Ahn ..... D14/341  
 D745,001 S \* 12/2015 Cho ..... D14/341  
 D746,285 S \* 12/2015 Okabe ..... D14/345  
 D749,573 S \* 2/2016 Park ..... D14/203.4  
 D749,574 S \* 2/2016 Park ..... D14/203.4  
 D749,575 S \* 2/2016 Park ..... D14/203.4  
 D749,576 S \* 2/2016 Park ..... D14/203.4  
 D754,657 S \* 4/2016 Kim ..... D14/345  
 2012/0044620 A1 \* 2/2012 Song ..... G06F 1/1616  
 361/679.01  
 2015/0241925 A1 \* 8/2015 Seo ..... G06F 1/1652  
 361/679.27

OTHER PUBLICATIONS

“Samsung unveils flexible OLED screen smartphone,” Flexible OLED Phone shown therein, as posted at Inhabit [online], posted on Nov. 7, 2011 [site visited Jul. 28, 2016] Available from the Internet, <URL: <http://inhabitat.com/samsung-to-launch-flexible-oled-cell-phone-next-year/>>.\*

\* cited by examiner

FIG. 1

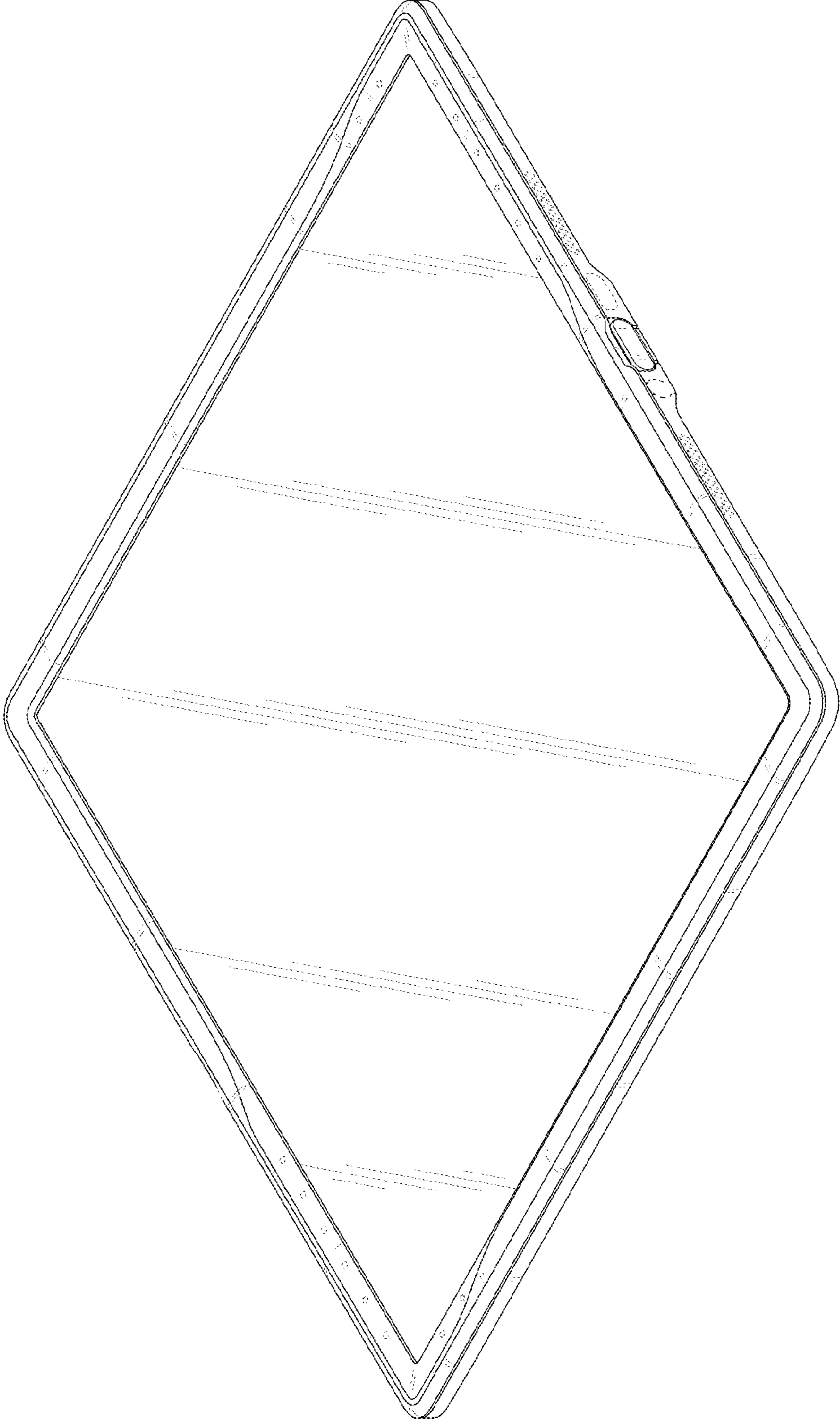


FIG. 2



FIG. 3



FIG. 4



FIG. 5

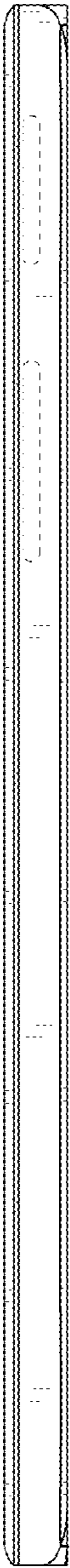


FIG. 6

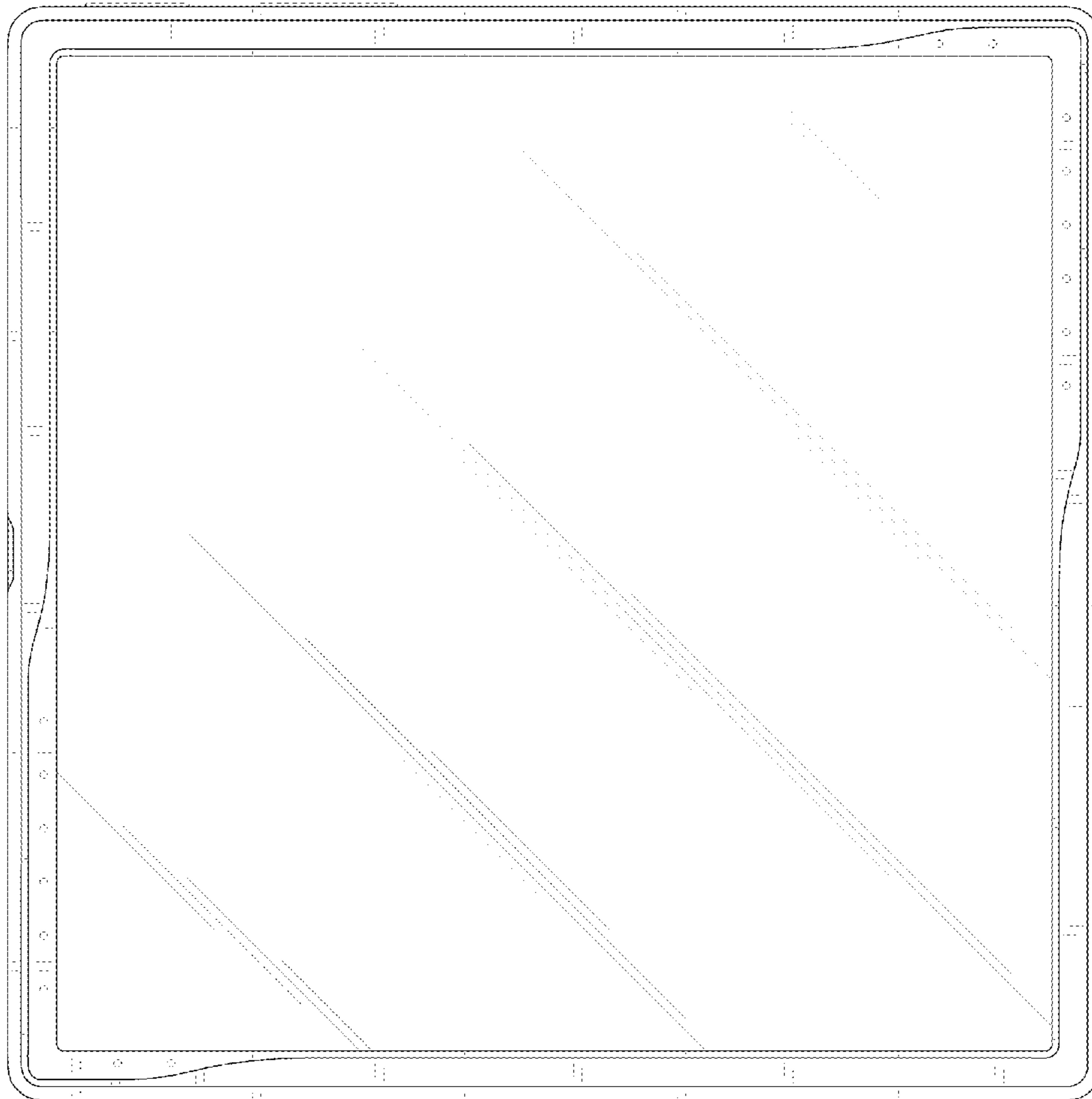


FIG. 7

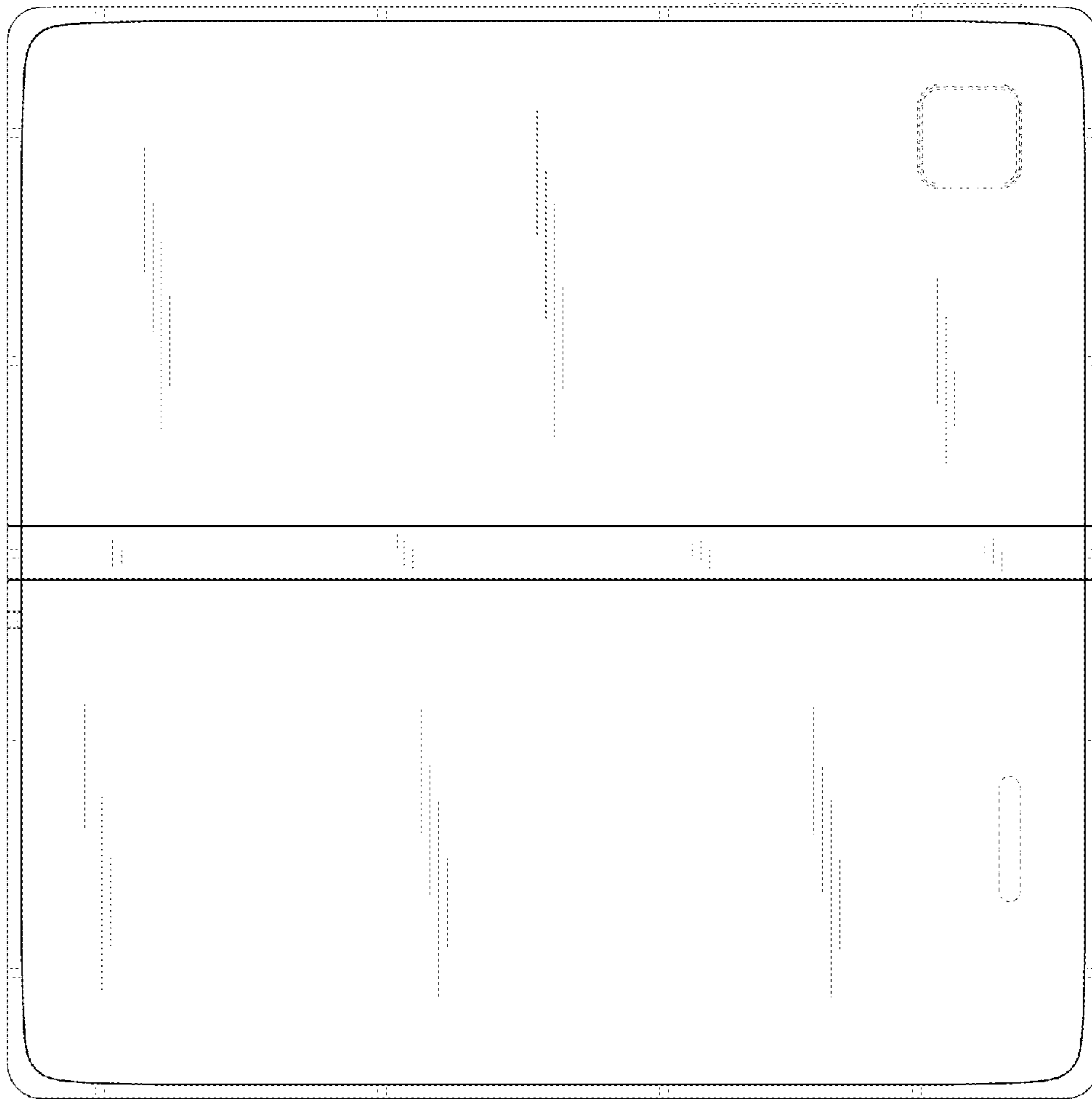


FIG. 8

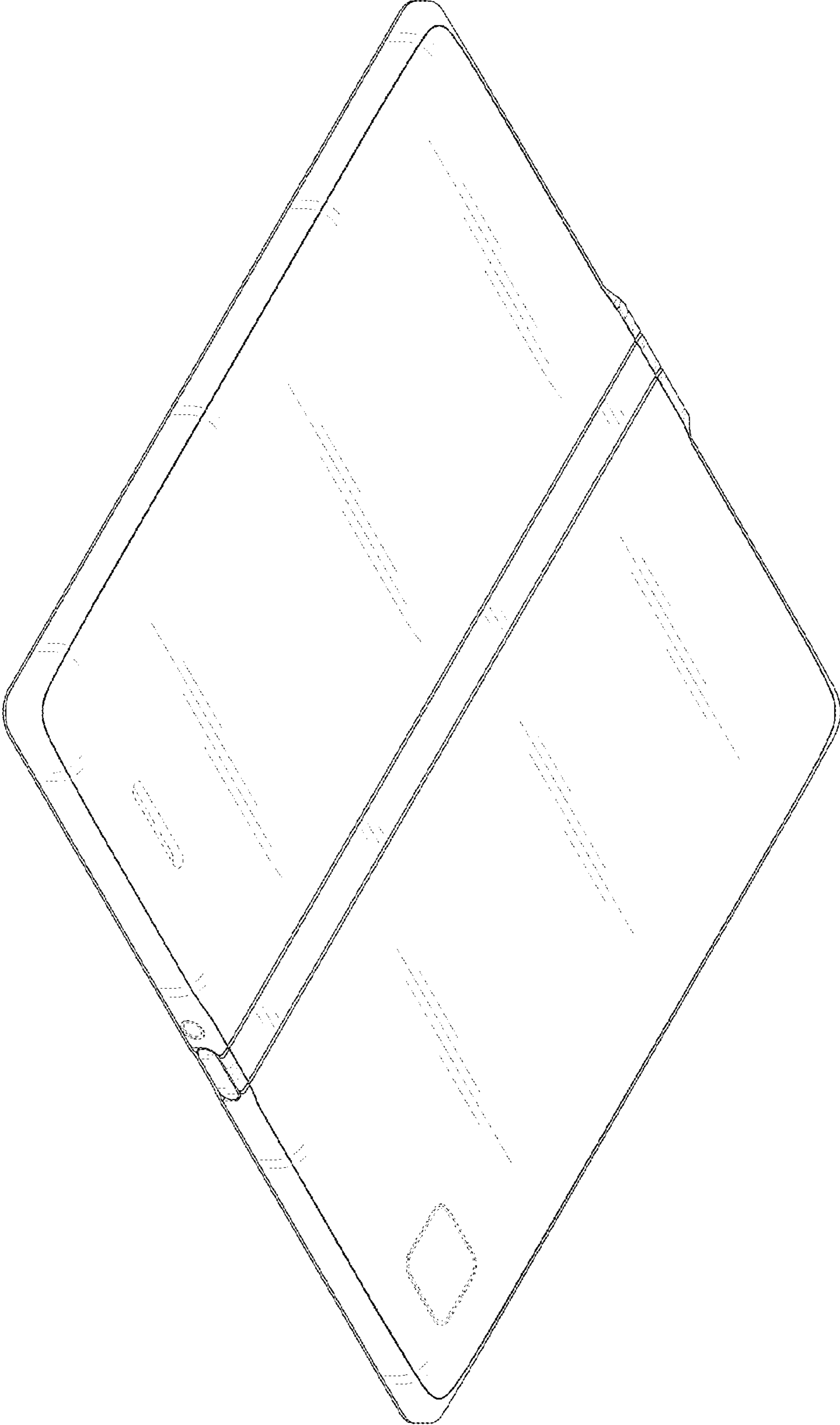




FIG. 9

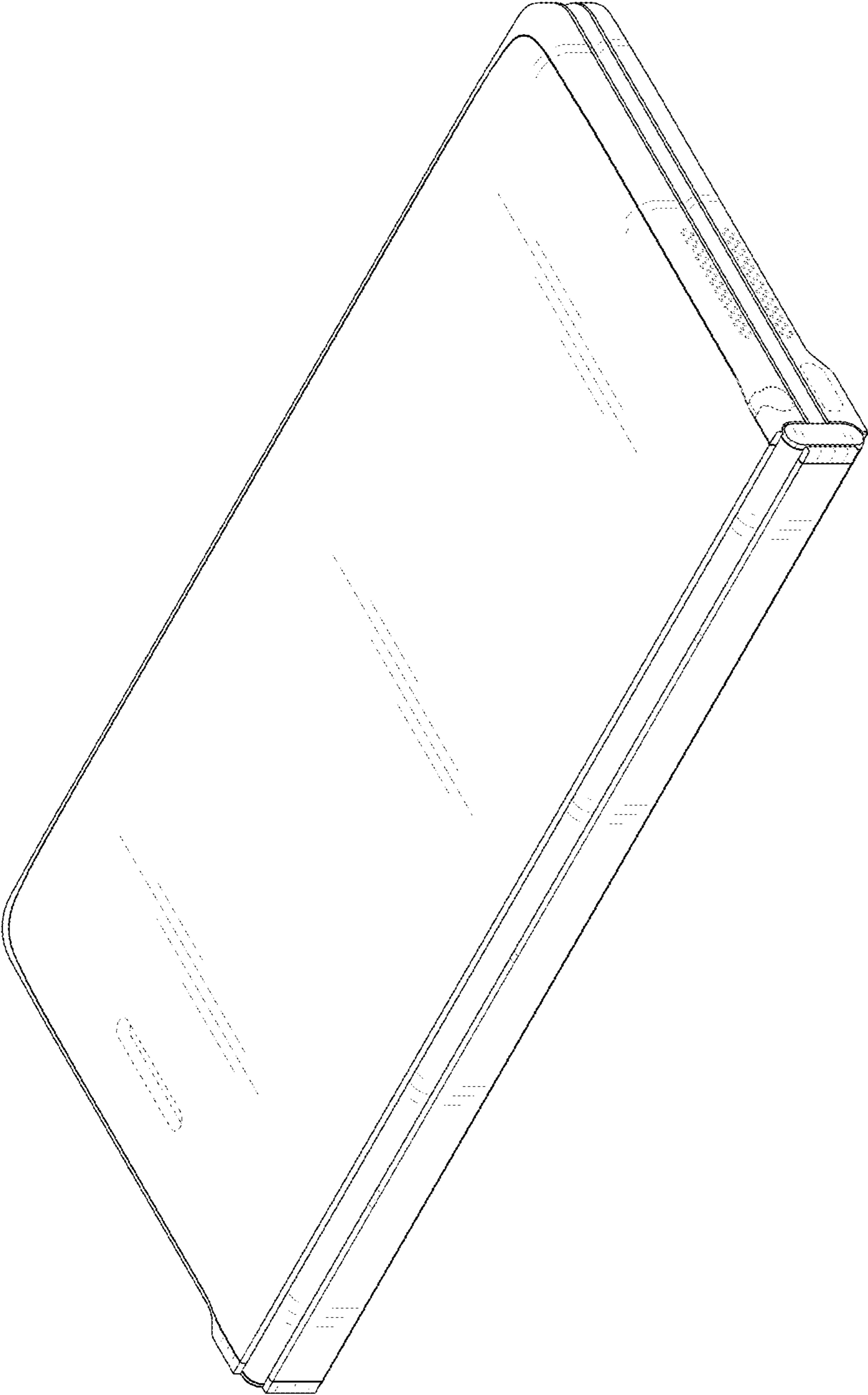


FIG. 10

