



US00D778251S

(12) **United States Design Patent** (10) **Patent No.:** **US D778,251 S**
Nishizawa (45) **Date of Patent:** **** Feb. 7, 2017**

(54) **PORTABLE COMMUNICATION DEVICE**

(71) Applicant: **ICOM INCORPORATED**, Osaka (JP)

(72) Inventor: **Haruki Nishizawa**, Osaka (JP)

(73) Assignee: **ICOM INCORPORATED**, Osaka (JP)

(**) Term: **15 Years**

(21) Appl. No.: **29/529,166**

(22) Filed: **Jun. 4, 2015**

(30) **Foreign Application Priority Data**

Dec. 5, 2014 (JP) D2014-027251

(51) **LOC (10) Cl.** **14-03**

(52) **U.S. Cl.**
USPC **D14/137**

(58) **Field of Classification Search**
USPC D14/137, 138 R, 138 AA, 138 AD;
D21/516; 361/814; 455/90.2
CPC H04B 1/00; H04B 1/38; H04B 1/3805;
H04B 1/3816; H04B 1/3822; H04B
1/3827; H04B 1/3833
See application file for complete search history.

(56) **References Cited**

U.S. PATENT DOCUMENTS

D490,064 S * 5/2004 Yi D14/137
D561,143 S * 2/2008 Mukai D14/137
D576,126 S * 9/2008 Nishida D14/137
D607,855 S * 1/2010 Nakagawa D14/137
D616,844 S * 6/2010 Xia D14/137
D652,400 S * 1/2012 Oikawa D14/137
D654,035 S * 2/2012 Ismail D14/137

D670,258 S * 11/2012 Yamamoto D14/137
D698,339 S * 1/2014 Brinkman D14/137
D713,809 S * 9/2014 Sakata D14/137
D722,991 S * 2/2015 Plaschke D14/138 AA
D749,533 S * 2/2016 Sakata D14/137
D752,536 S * 3/2016 Ooi D14/137
D752,537 S * 3/2016 Oikawa D14/137
D761,223 S * 7/2016 Oikawa D14/137

FOREIGN PATENT DOCUMENTS

JP D1346455 12/2008

* cited by examiner

Primary Examiner — Cathron Brooks

Assistant Examiner — Aula Soroush

(74) *Attorney, Agent, or Firm* — Birch, Stewart, Kolasch & Birch, LLP

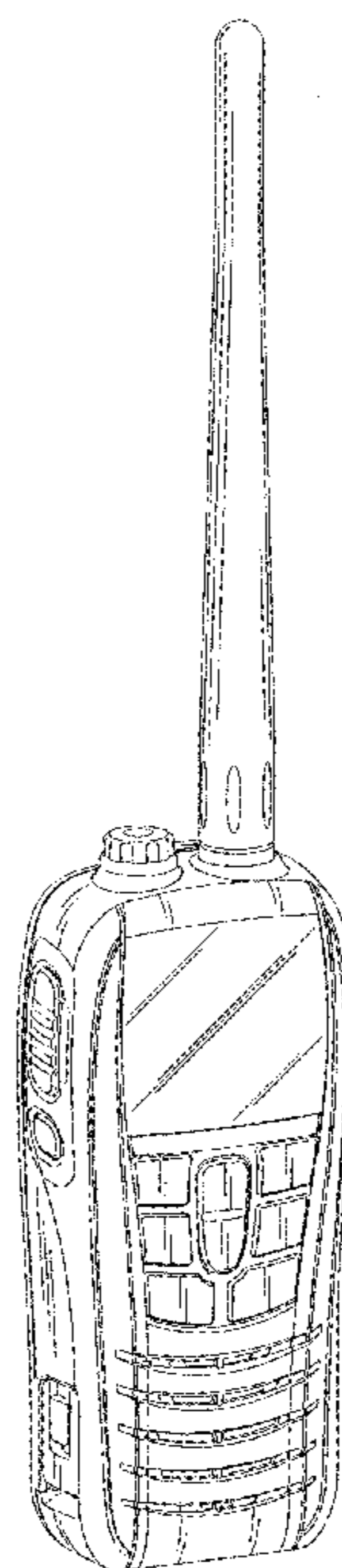
(57) **CLAIM**

The ornamental design for a portable communication device, as shown and described.

DESCRIPTION

FIG. 1 is a perspective view of the portable communication device;
FIG. 2 is a front view of the portable communication device;
FIG. 3 is a rear view of the portable communication device;
FIG. 4 is a left side view of the portable communication device;
FIG. 5 is a right side view of the portable communication device;
FIG. 6 is a top view of the portable communication device;
and,
FIG. 7 is a bottom view of the portable communication device.

1 Claim, 4 Drawing Sheets



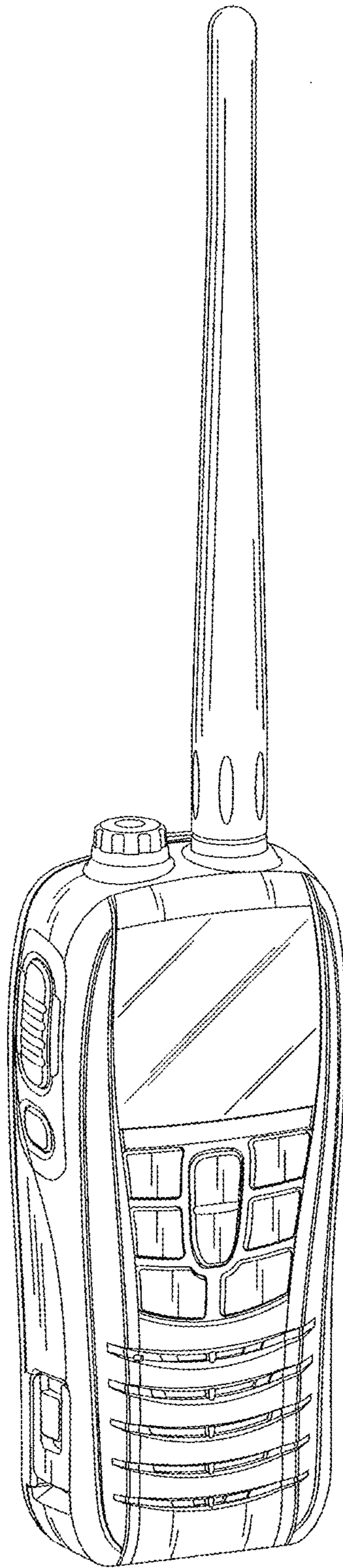


FIG. 1

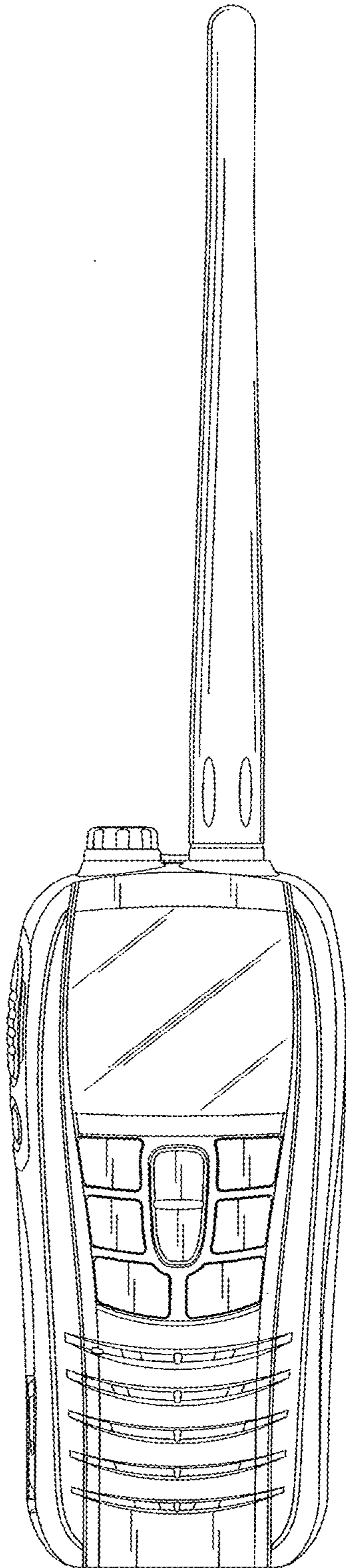


FIG. 2

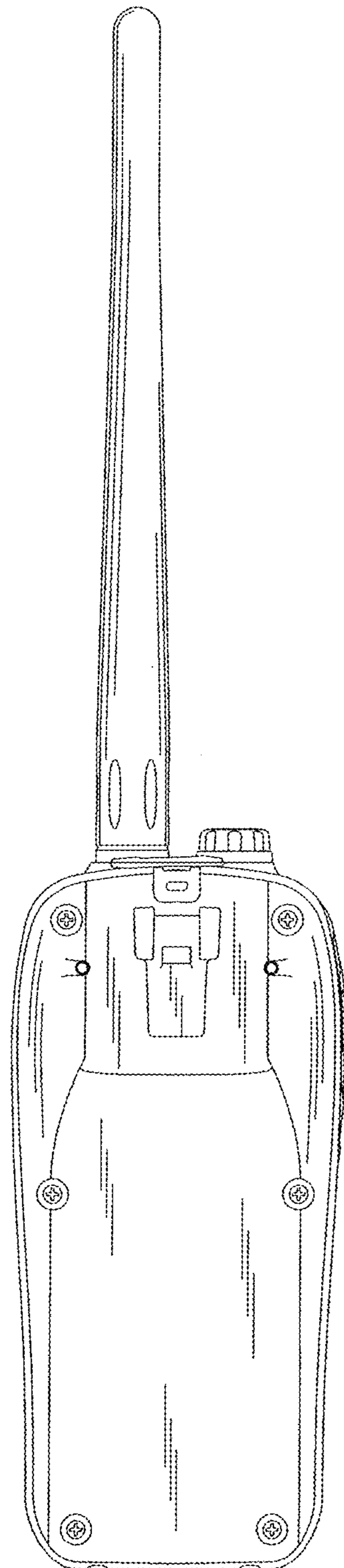


FIG. 3

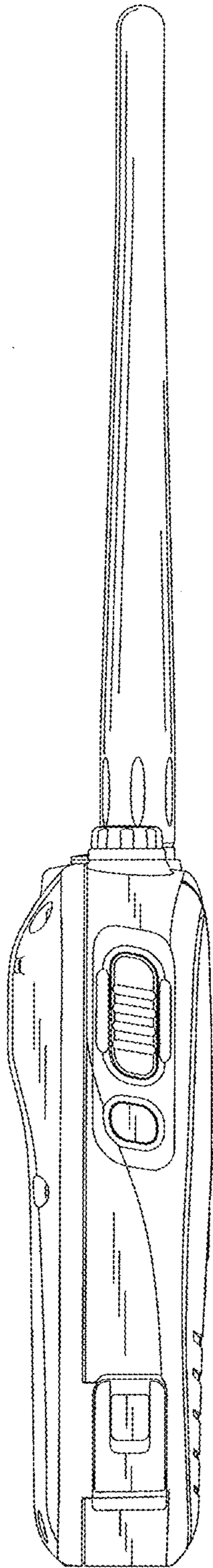


FIG. 4

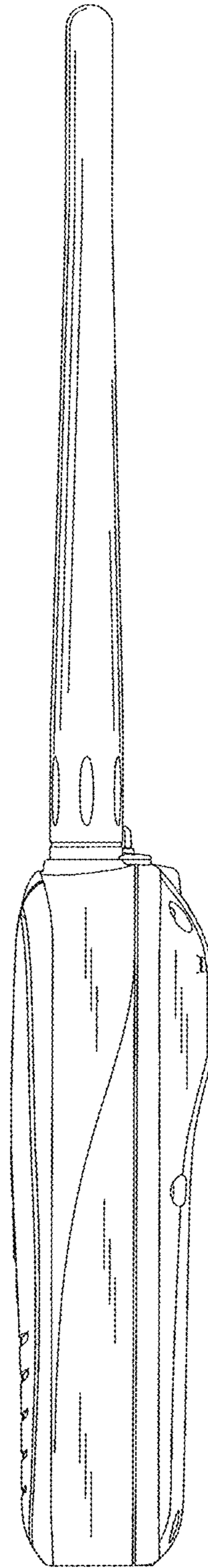


FIG. 5

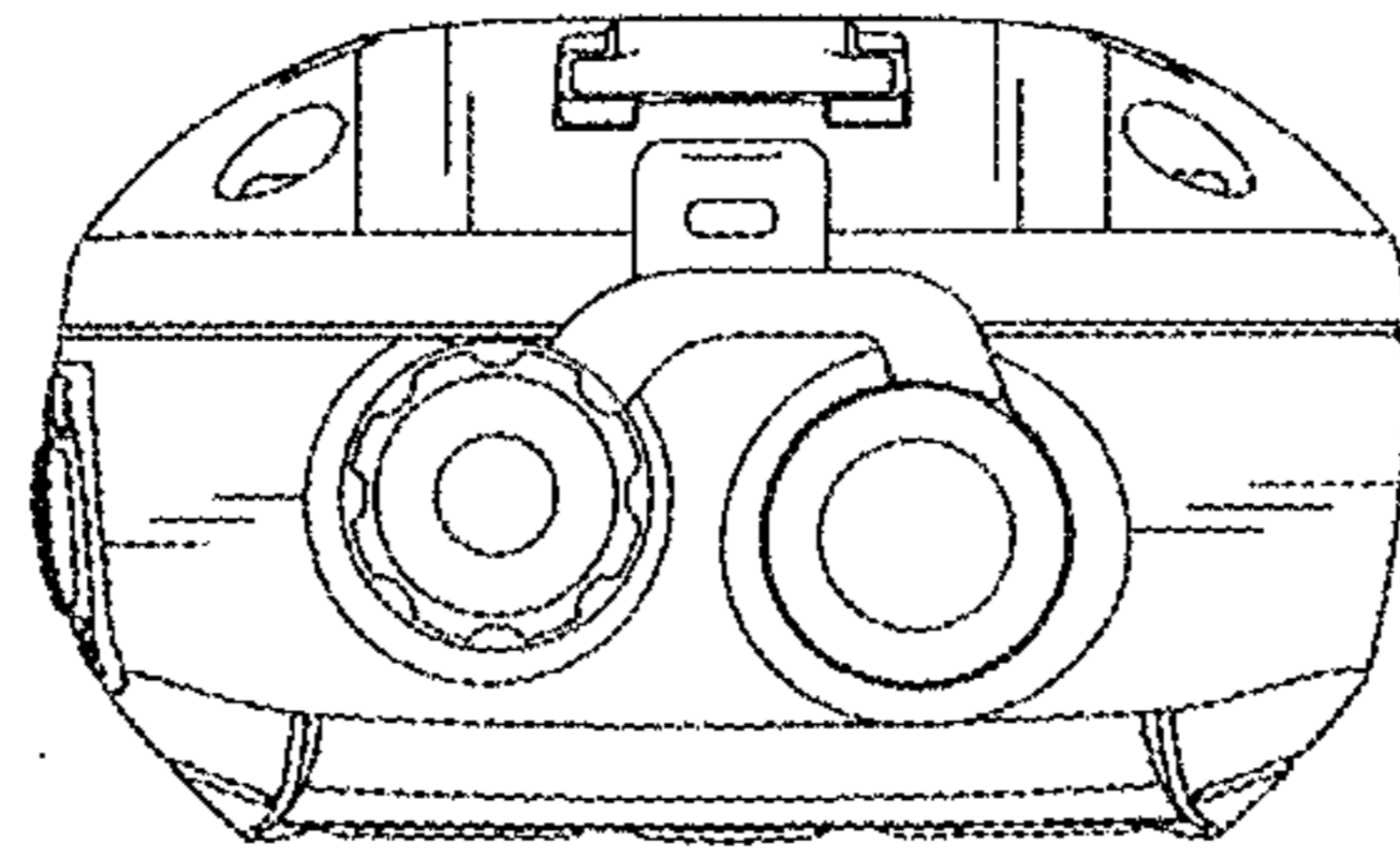


FIG. 6

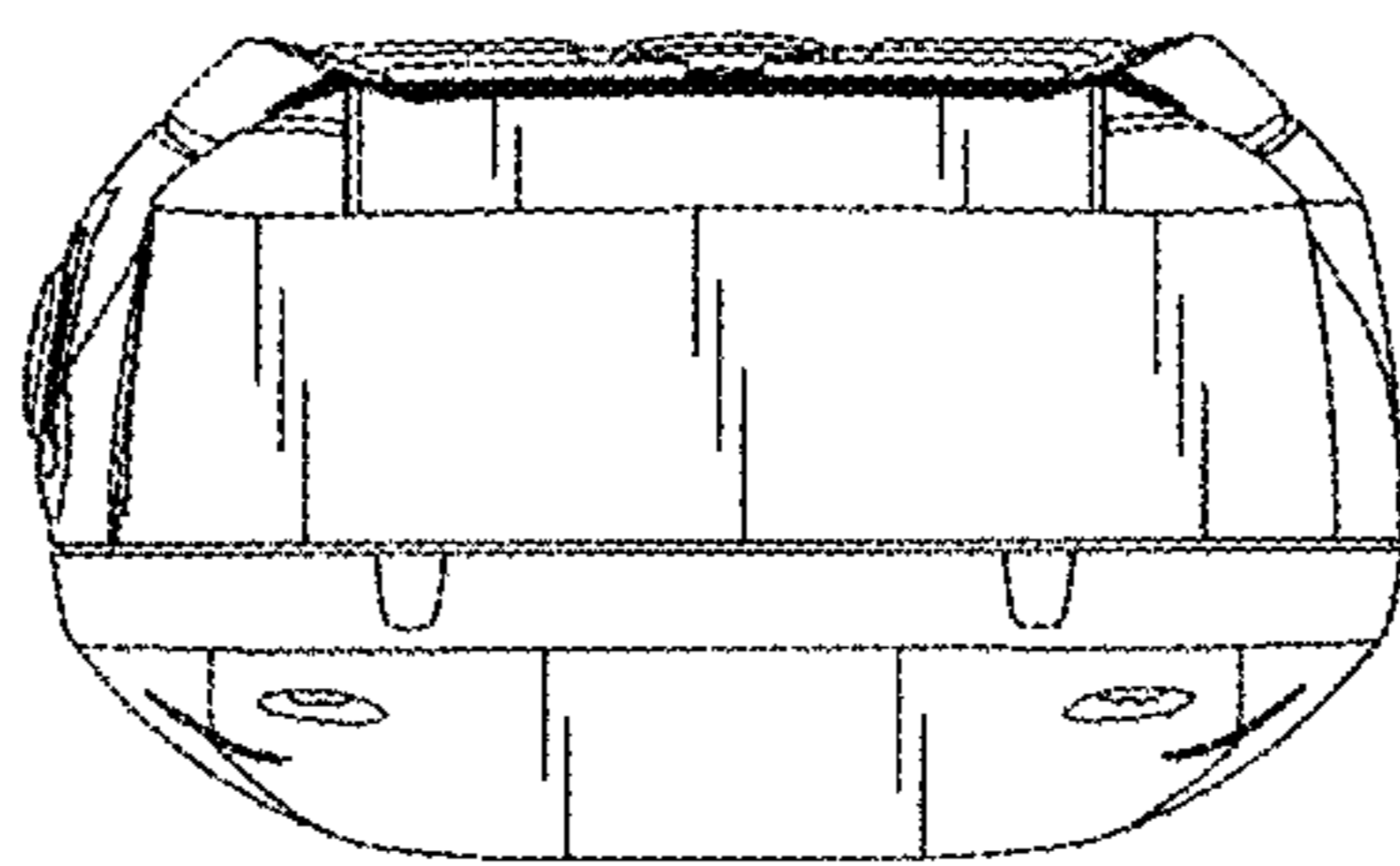


FIG. 7