



US00D778250S

(12) **United States Design Patent** (10) **Patent No.:** **US D778,250 S**
Owens (45) **Date of Patent:** **** Feb. 7, 2017**

(54) **TOUCH SCREEN CONTROL DEVICE WITH SPEAKERS**

(71) Applicant: **Crestron Electronics, Inc.**, Rockleigh, NJ (US)

(72) Inventor: **Wayne Owens**, Pearl River, NY (US)

(73) Assignee: **Crestron Electronics Inc.**, Rockleigh, NJ (US)

(**) Term: **15 Years**

(21) Appl. No.: **29/530,323**

(22) Filed: **Jun. 16, 2015**

(51) **LOC (10) Cl.** **14-03**

(52) **U.S. Cl.**
USPC **D14/129**

(58) **Field of Classification Search**
USPC D3/218; D6/406.3, 406.4, 406.5, 406.6;
D14/126, 128, 129, 204; D21/515
CPC A45C 2011/003; A45C 2011/002;
A45C 13/002; A47B 2021/0307; A47B
2023/005; A47B 2023/049; A47B
2097/005; A47B 2097/006; A47B 21/04;
A47B 23/00; A47B 23/043; F16M
2200/00; H04B 1/3888; H04M
1/04; H04M 1/185

See application file for complete search history.

(56) **References Cited**

U.S. PATENT DOCUMENTS

D438,848 S * 3/2001 Kita D14/126
D540,755 S * 4/2007 Asanuma D14/126
D552,569 S * 10/2007 Kita D14/126
D553,589 S * 10/2007 Fujiki D14/128
D555,117 S * 11/2007 Tanaka D14/126
D556,707 S * 12/2007 Fujii D14/126
D556,708 S * 12/2007 Takami D14/126

D564,469 S * 3/2008 Wei D14/126
D585,035 S * 1/2009 Ohki D14/126
D606,503 S * 12/2009 Suzuki D14/126
D643,004 S * 8/2011 Honda D14/126
D740,243 S * 10/2015 Bieler D14/126
D744,971 S * 12/2015 Kamp D14/129
D753,077 S * 4/2016 Margis D14/126
9,414,108 B2 * 8/2016 Sirpal H04N 5/44

* cited by examiner

Primary Examiner — Philip S Hyder

Assistant Examiner — Cary M Robinson

(74) *Attorney, Agent, or Firm* — Crestron Electronics, Inc.

(57) **CLAIM**

The ornamental design for a touch screen control device with speakers, as shown and described.

DESCRIPTION

FIG. 1 illustrates a front view of a touch screen control device.

FIG. 2 illustrates a right side view of the touch screen control device of FIG. 1.

FIG. 3 illustrates a top view of the touch screen control device of FIG. 1.

FIG. 4 illustrates a bottom view of the touch screen control device of FIG. 1.

FIG. 5 illustrates a left side view of the touch screen control device of FIG. 1.

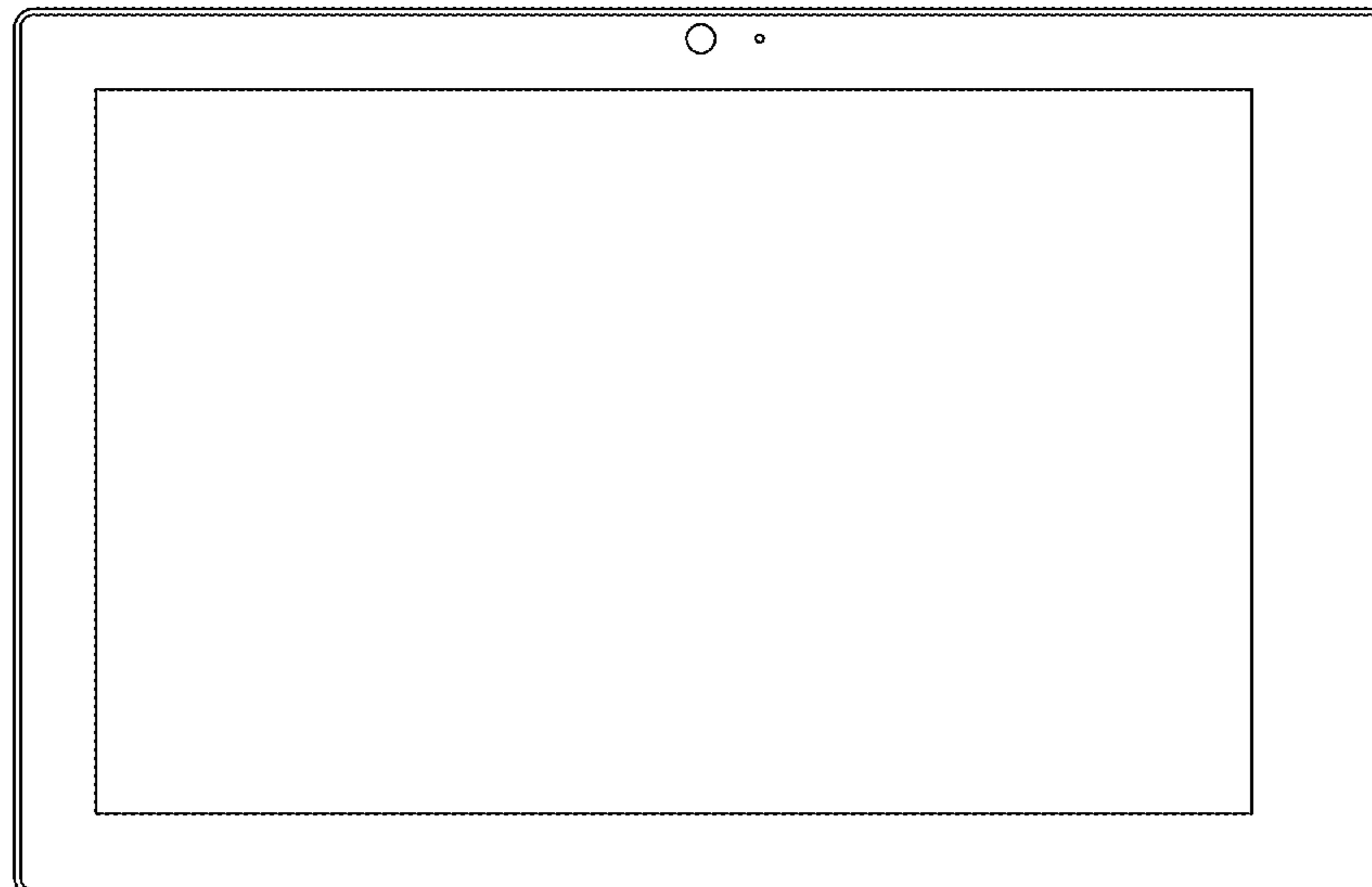
FIG. 6 illustrates a back isometric left view of the touch screen control device of FIG. 1.

FIG. 7 illustrates a back isometric right view of the touch screen control device of FIG. 1.

FIG. 8 illustrates a rear view of the touch screen control device of FIG. 1; and,

FIG. 9 illustrates a front isometric view of the touch screen control device of FIG. 1.

1 Claim, 9 Drawing Sheets



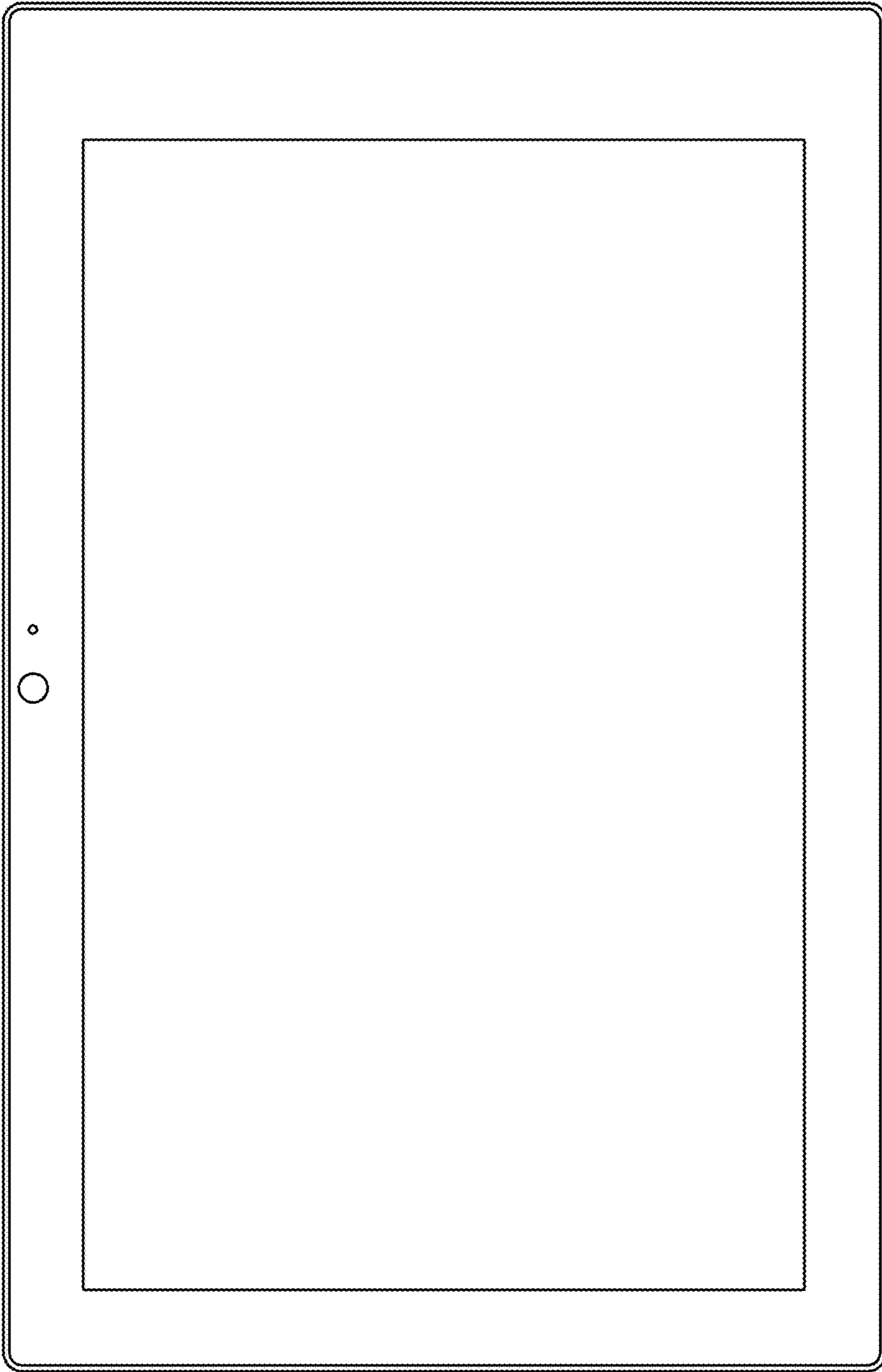


FIG. 1

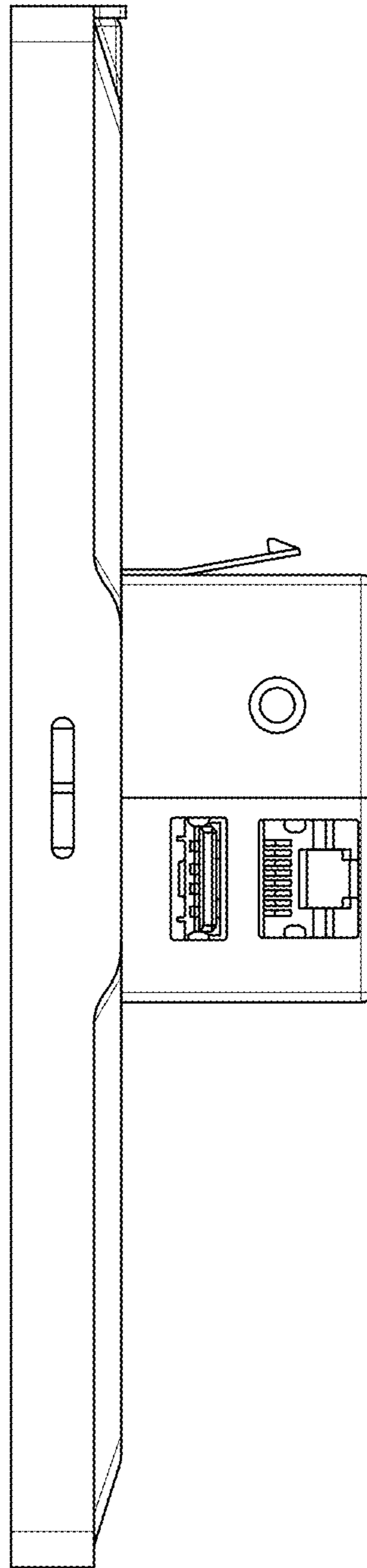


FIG. 2

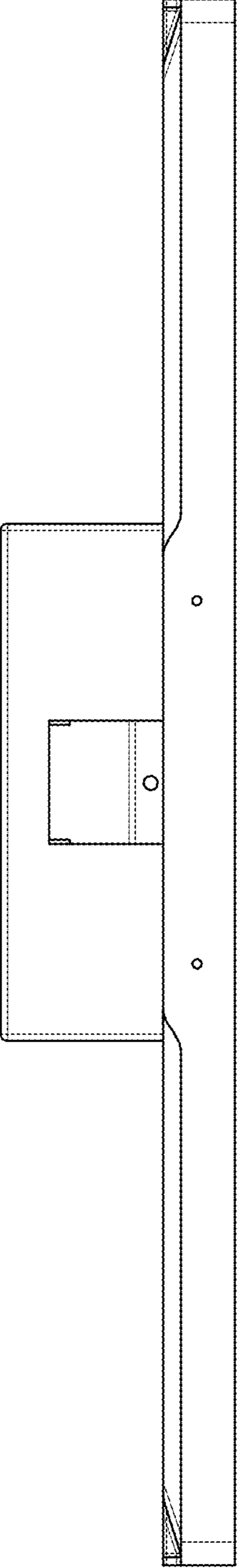


FIG. 3

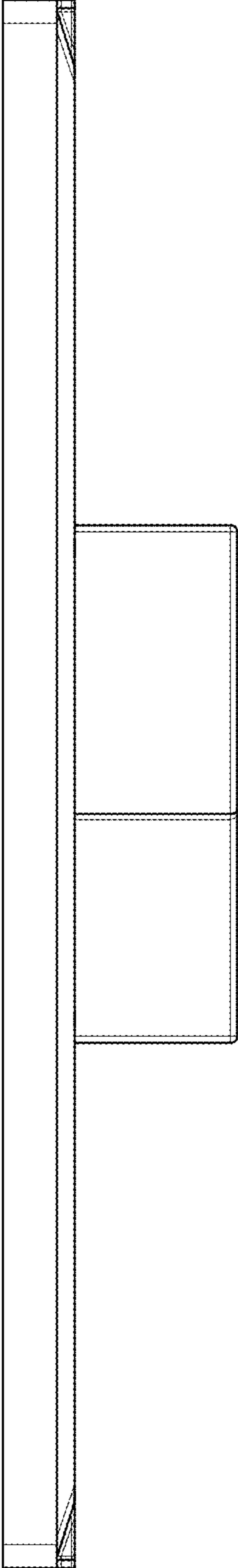


FIG. 4

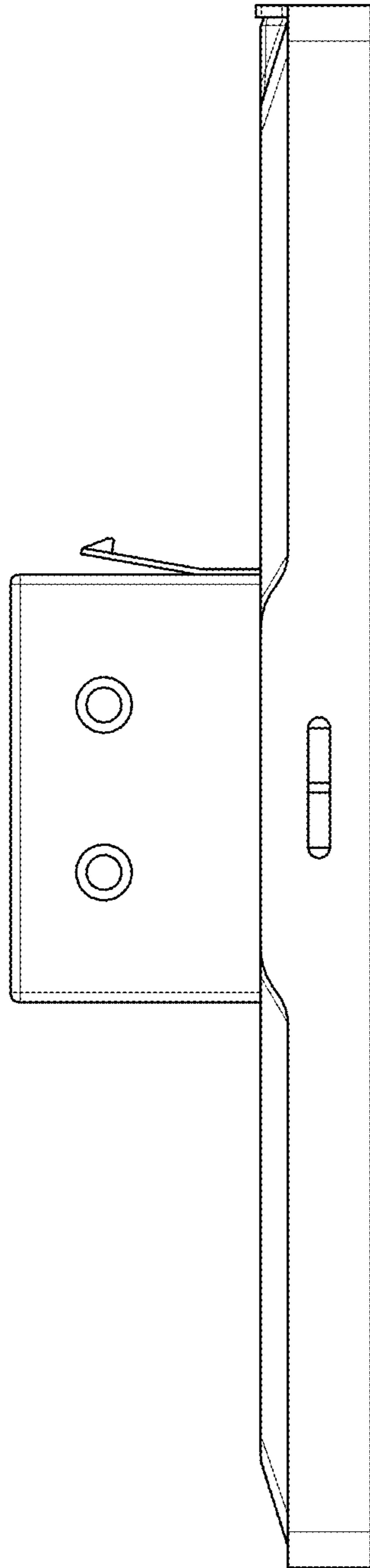


FIG. 5

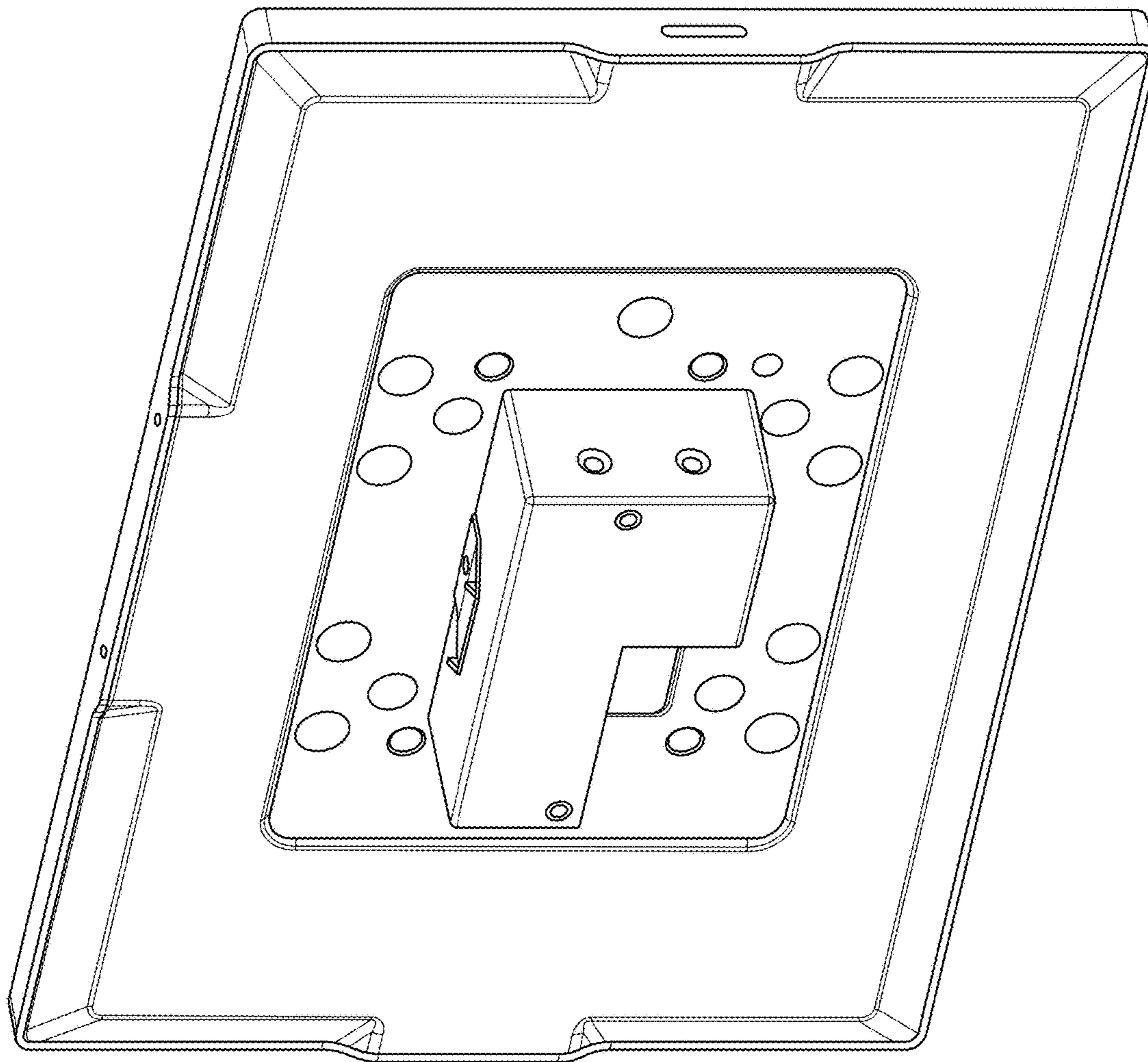


FIG. 6

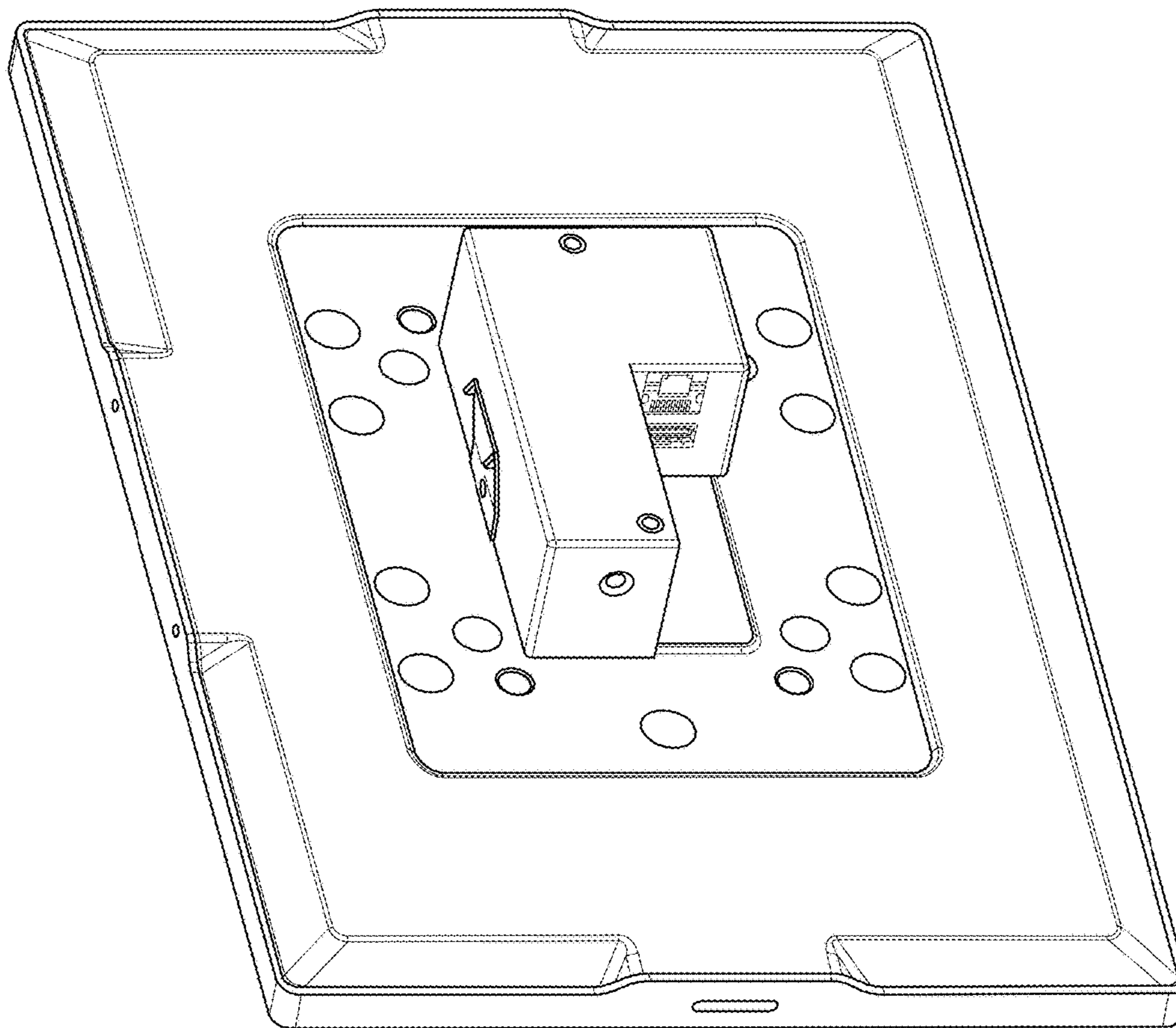


FIG. 7

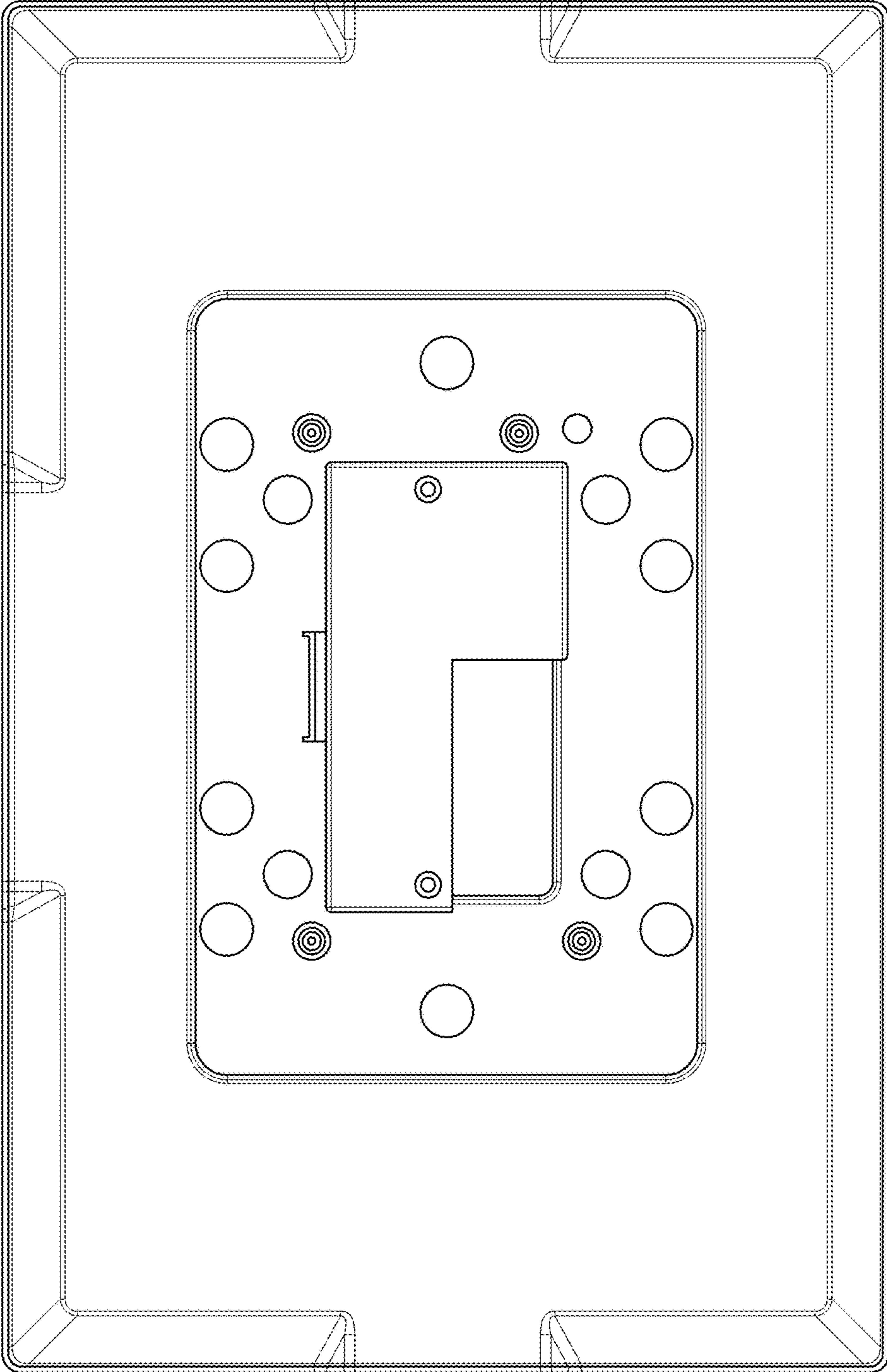


FIG. 8

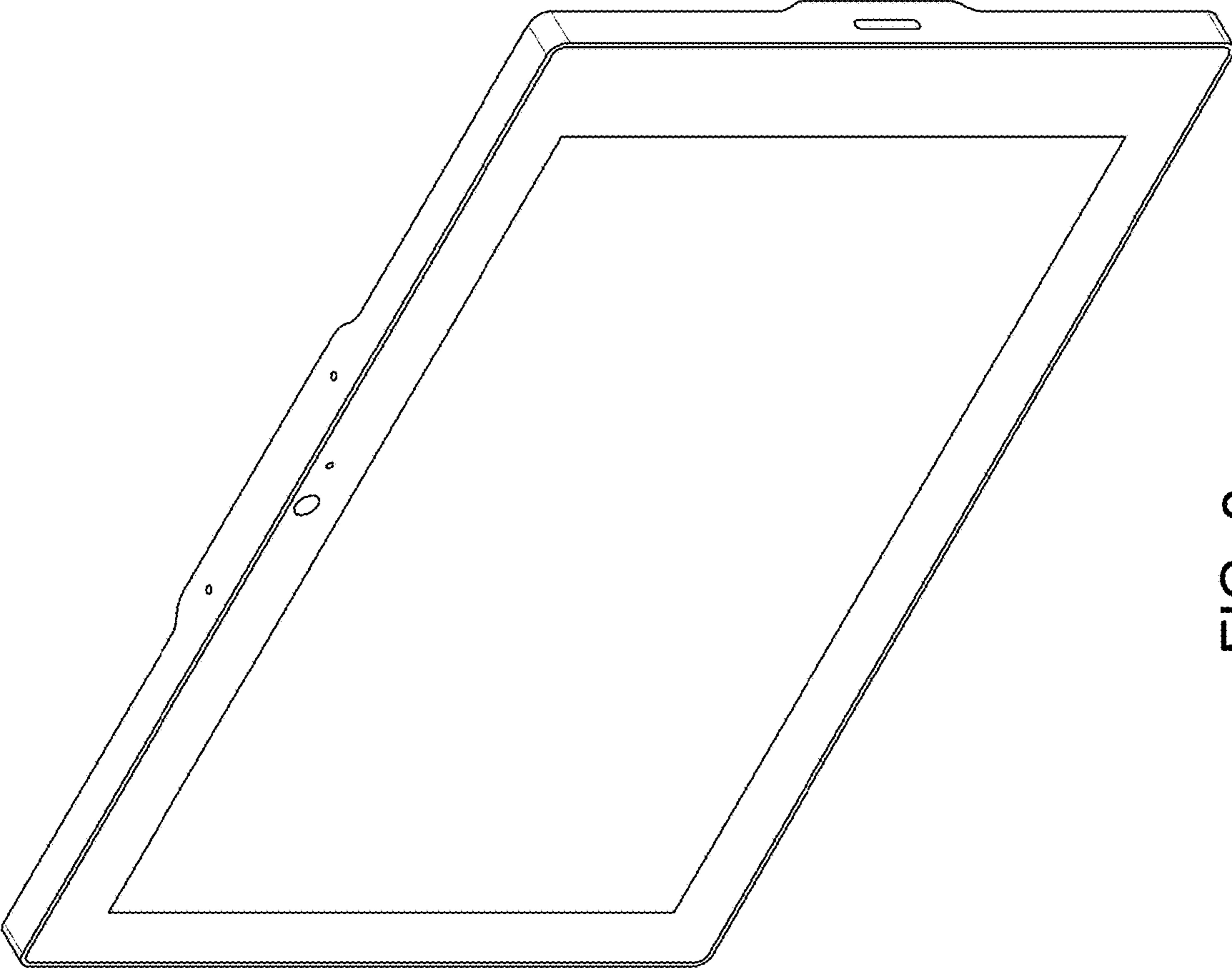


FIG. 9