



US00D778243S

(12) **United States Design Patent**
Knospe et al.

(10) **Patent No.:** **US D778,243 S**

(45) **Date of Patent:** **** Feb. 7, 2017**

(54) **HOUSING FOR HIGH VOLTAGE CIRCUIT BREAKER**

(71) Applicant: **ABB AG**, Mannheim (DE)
(72) Inventors: **Jörg Knospe**, Bruchköbel (DE);
Matthias Schmidt, Frankfurt (DE)

(73) Assignee: **ABB AG**, Mannheim (DE)

(**) Term: **14 Years**

(21) Appl. No.: **29/508,445**

(22) Filed: **Nov. 6, 2014**

(30) **Foreign Application Priority Data**

May 7, 2014 (EM) 002459321

(51) **LOC (10) Cl.** **13-03**

(52) **U.S. Cl.**
USPC **D13/160**

(58) **Field of Classification Search**

USPC D13/103, 110, 112, 118, 122-124, 133,
D13/154, 158-161, 173, 184, 199
CPC H01H 33/60; H01H 33/00; H01H 37/04;
H01H 37/5427; H01H 37/76; H01H
71/00; H01H 71/02; H01H 71/06; H01H
73/08

See application file for complete search history.

(56) **References Cited**

U.S. PATENT DOCUMENTS

D344,715 S * 3/1994 Hsiao D13/159

D753,595 S * 4/2016 Yao D13/133
2013/0306343 A1* 11/2013 Magno, Jr. H02G 3/088
174/67
2014/0111075 A1* 4/2014 Schneider H02B 7/06
312/326

* cited by examiner

Primary Examiner — Thomas Johannes

Assistant Examiner — Shawn T Gingrich

(74) *Attorney, Agent, or Firm* — Taft Stettinius &
Hollister LLP

(57) **CLAIM**

The ornamental design for a housing for high voltage circuit breaker, as shown and described.

DESCRIPTION

FIG. 1 is a perspective view of housing for high voltage circuit breaker showing our new design.

FIG. 2 is a front elevational view thereof.

FIG. 3 is a rear elevational view thereof.

FIG. 4 is a right side elevational view thereof.

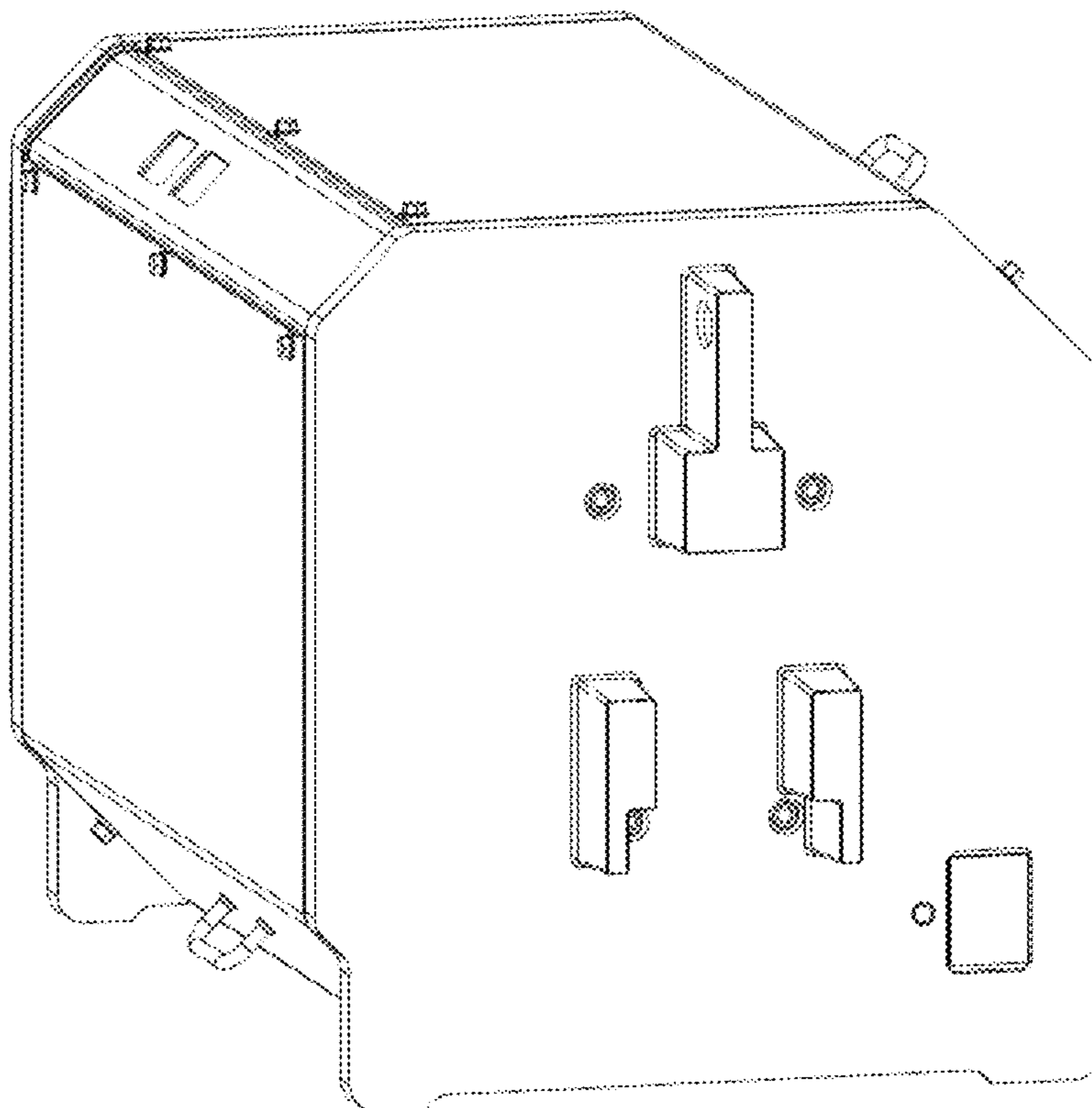
FIG. 5 is a left side elevational view thereof.

FIG. 6 is a top plan view thereof; and,

FIG. 7 is a bottom plan view thereof.

The broken line portion of the figure drawings is included to show portions of the article that form no part of the claimed design.

1 Claim, 7 Drawing Sheets



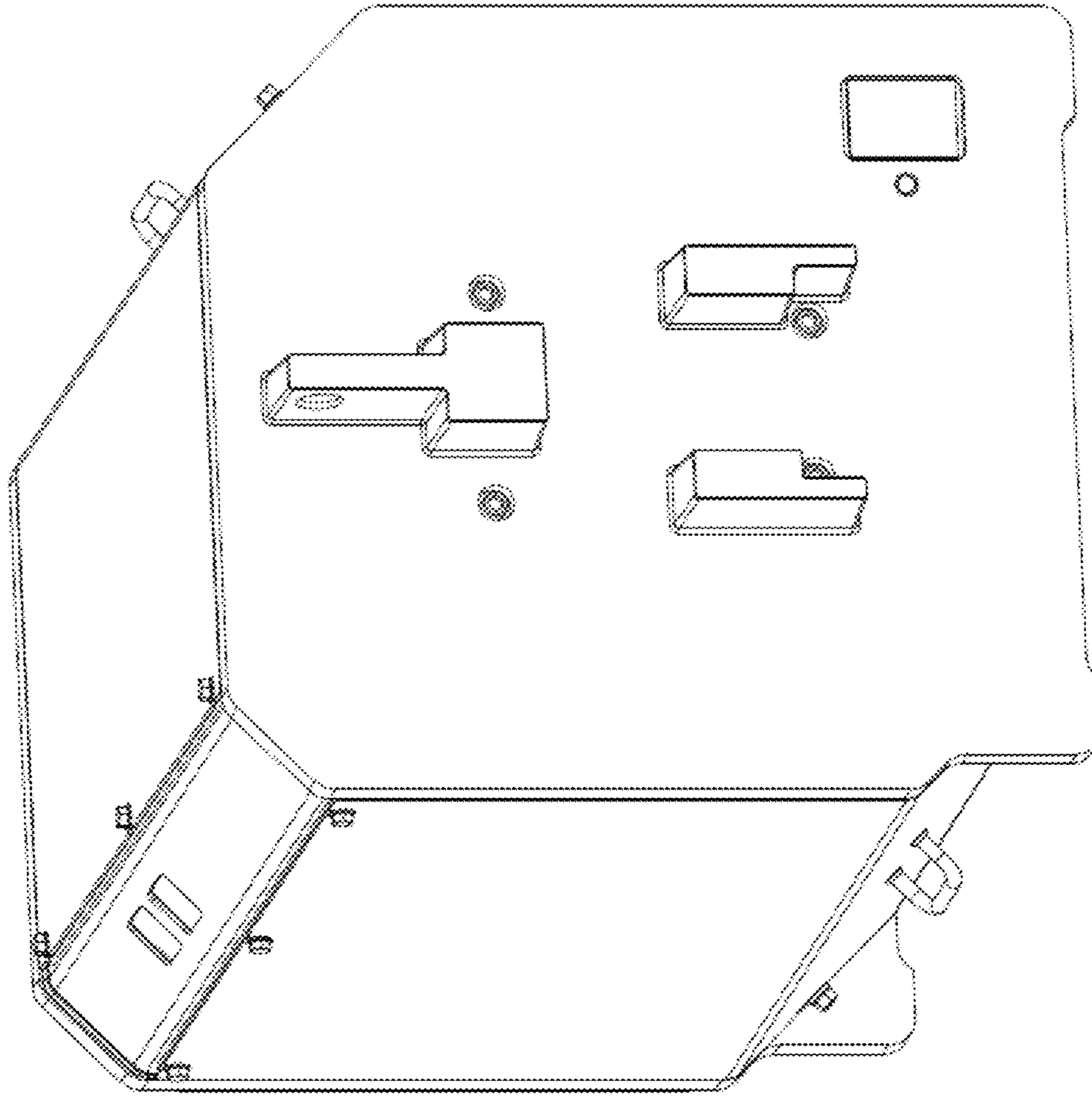


FIG. 1

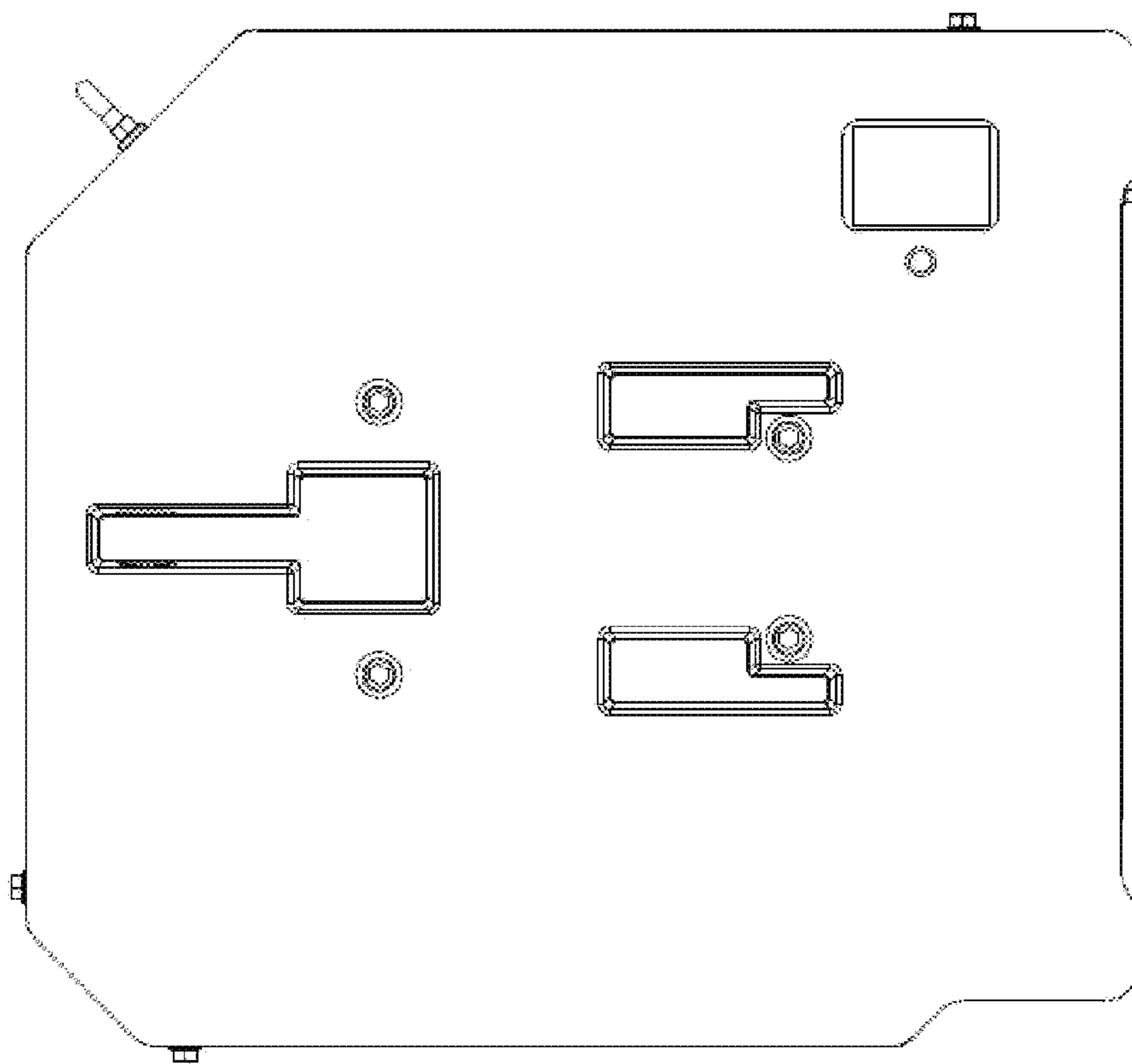


FIG. 2

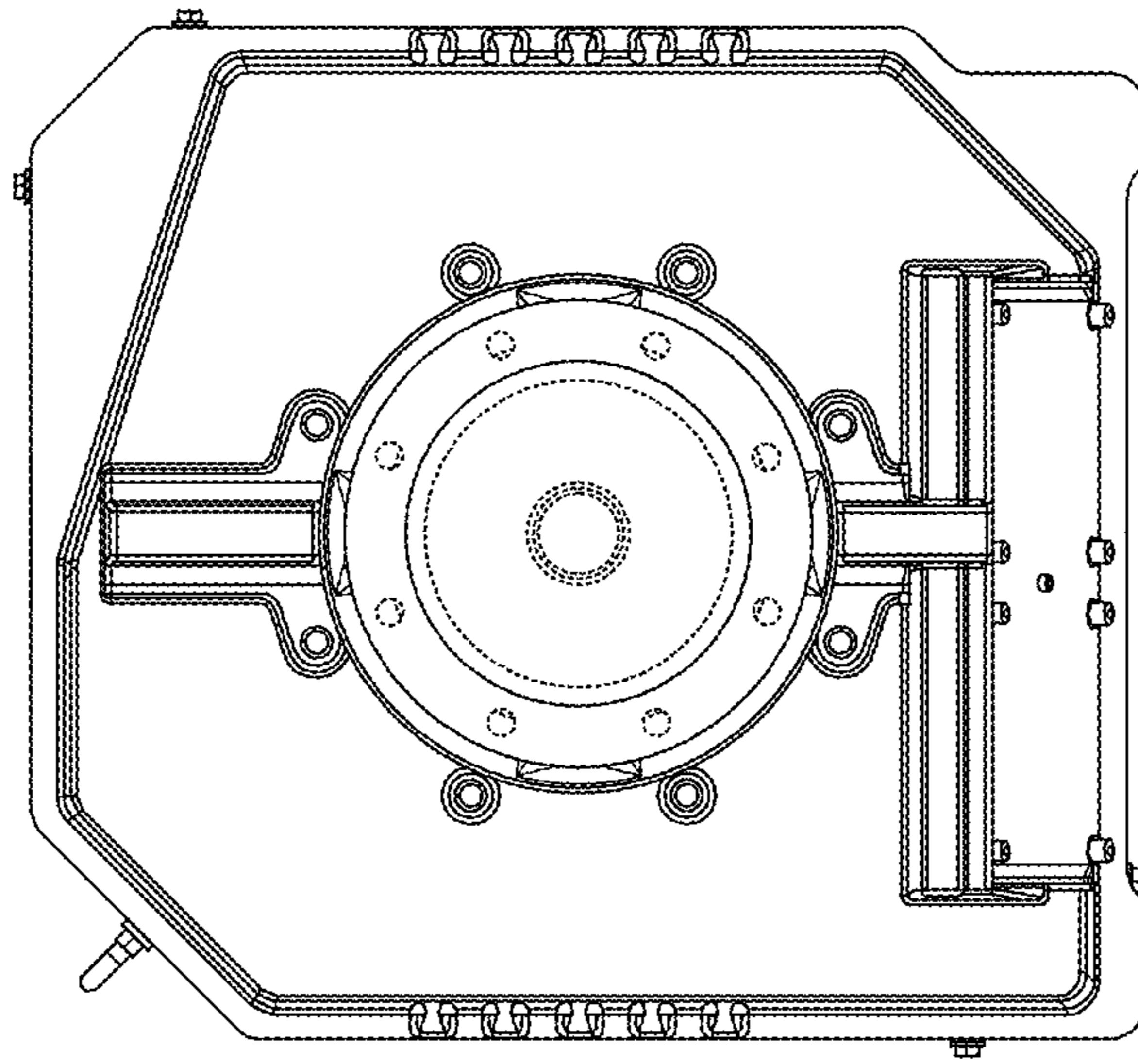


FIG. 3

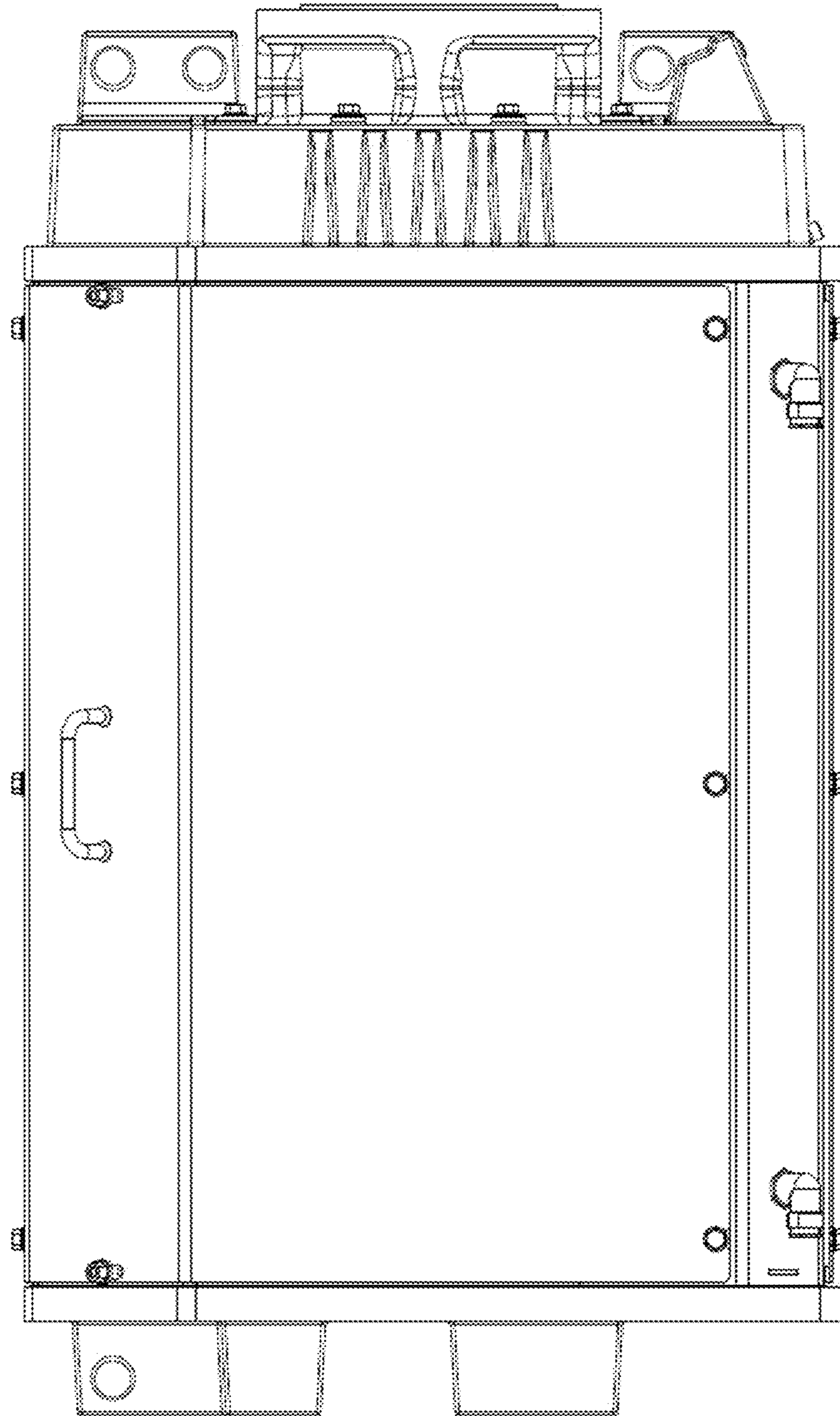


FIG. 4

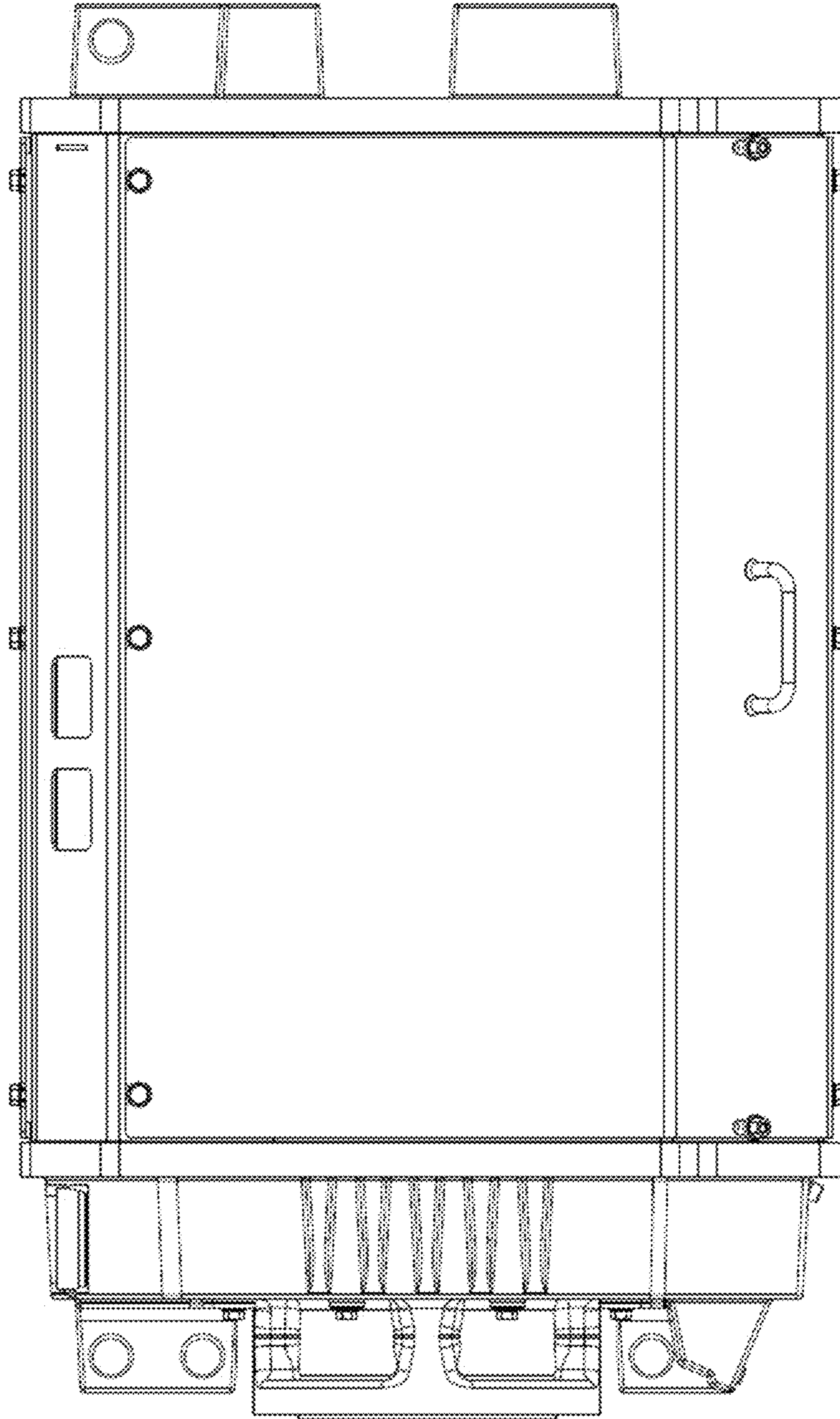


FIG. 5

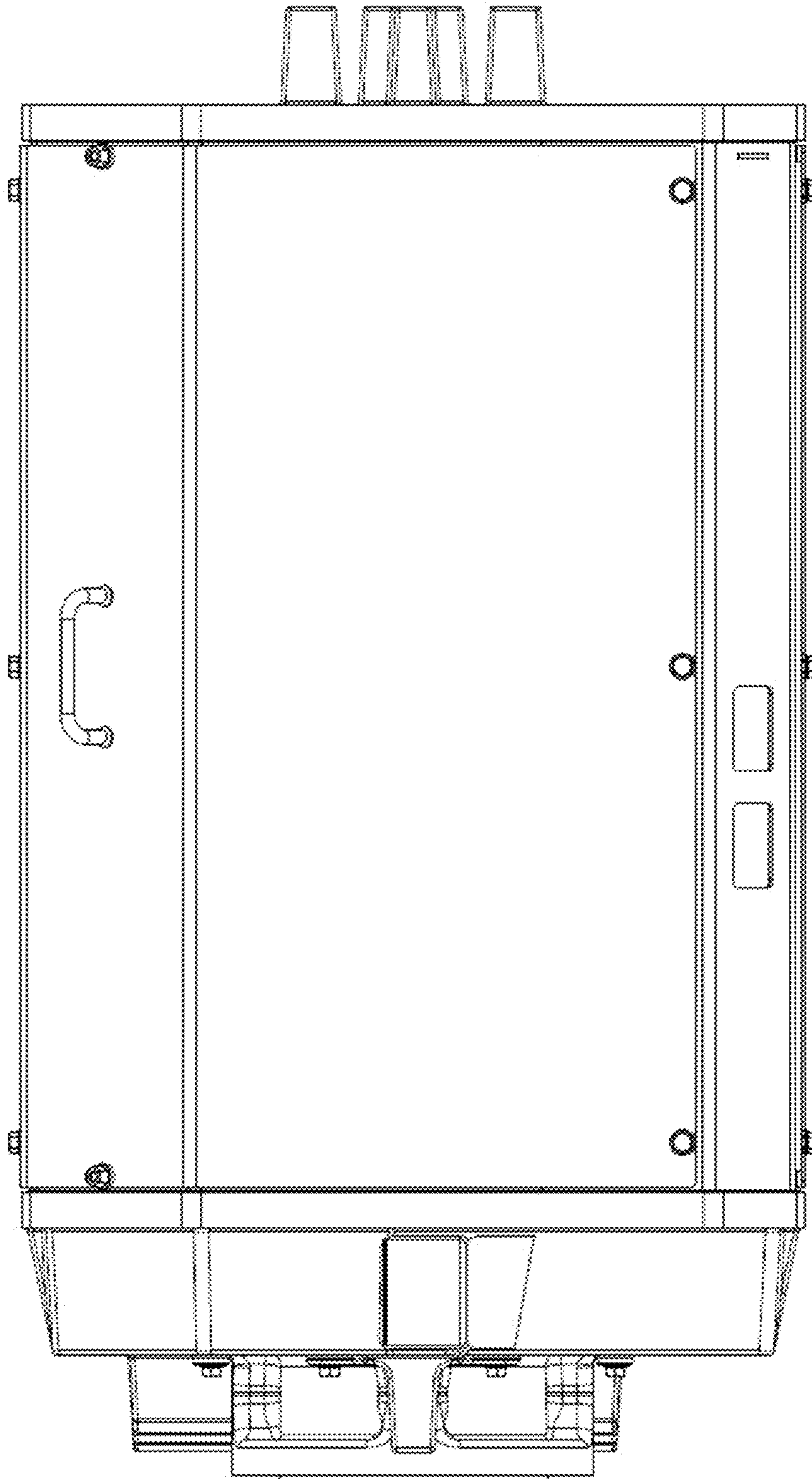


FIG. 6

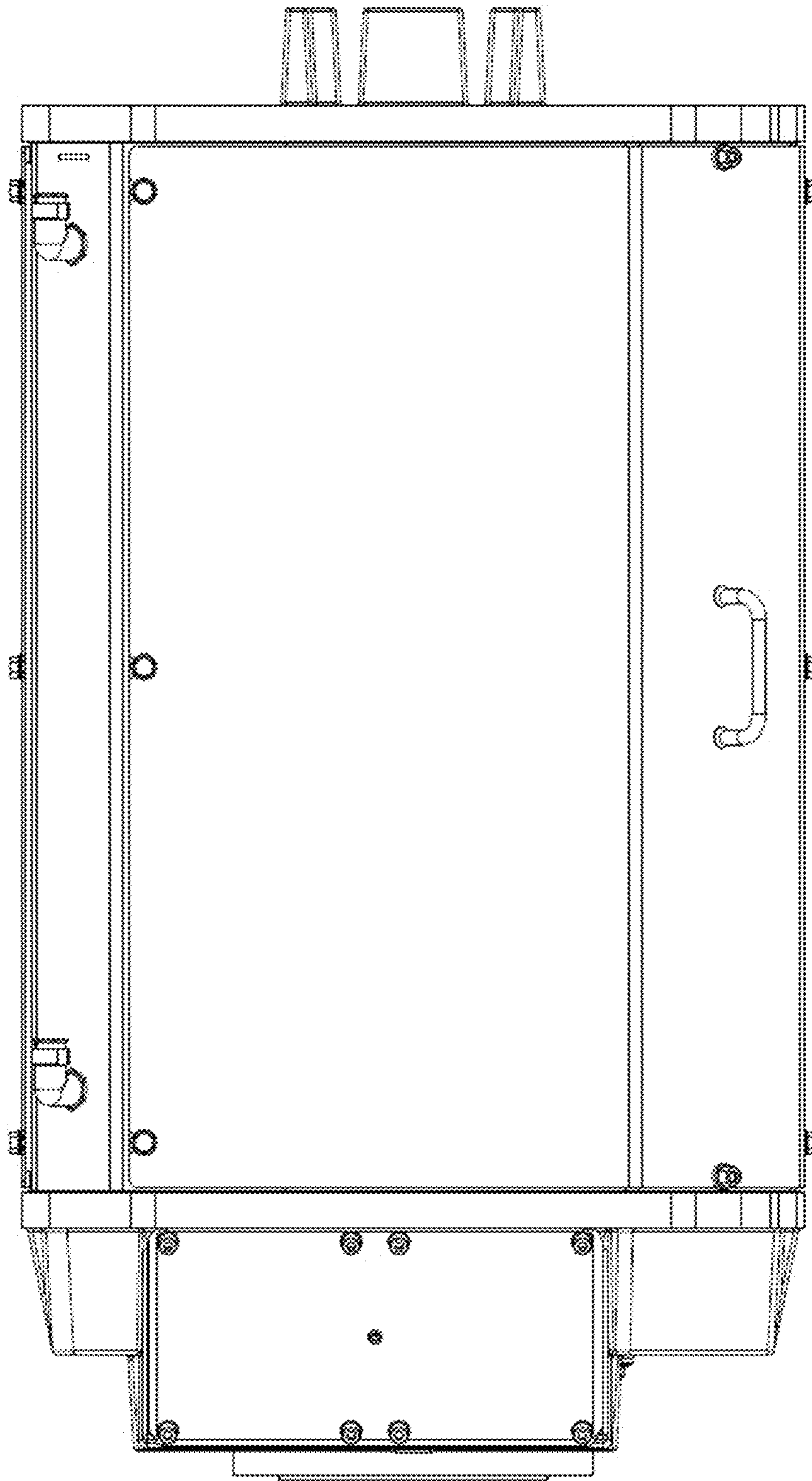


FIG. 7