



US00D778241S

(12) **United States Design Patent** (10) **Patent No.:** **US D778,241 S**
Holbrook et al. (45) **Date of Patent:** **** Feb. 7, 2017**

(54) **JUNCTION BOX**
(71) Applicant: **Avigilon Corporation**, Vancouver (CA)
(72) Inventors: **Thomas Holbrook**, Vancouver (CA);
Ross Mitchell, Vancouver (CA);
Sudeep Mohan, Vancouver (CA);
Robin W. Chu, San Francisco, CA
(US); **Gregg Davis**, Powell, OH (US);
Mark A. Edwards, Livermore, CA
(US); **Adam M. Ruggles**, Columbus,
OH (US)

D307,915 S 5/1990 Kuester
D310,824 S * 9/1990 Layton D13/152
D340,940 S 11/1993 Ellenberger et al.
D372,703 S * 8/1996 Hannon D13/146
D392,300 S 3/1998 Chow et al.
D416,032 S 11/1999 Bakshi
D428,618 S 7/2000 McBride
D438,227 S 2/2001 Grotto
D446,801 S 8/2001 Adachi et al.
D449,630 S 10/2001 Rak et al.
D452,696 S 1/2002 Fenton
D468,697 S 1/2003 Straub, Jr.
D472,259 S 3/2003 Rupe

(Continued)

(73) Assignee: **Avigilon Corporation**, Vancouver (CA)

(**) Term: **15 Years**

(21) Appl. No.: **29/540,153**

(22) Filed: **Sep. 21, 2015**

(51) **LOC (10) Cl.** **13-03**

(52) **U.S. Cl.**
USPC **D13/152**

(58) **Field of Classification Search**
USPC D13/152, 133, 137.1, 137.4, 139.3,
D13/139.2, 153-156, 184, 199; D8/349,
D8/353; 220/3.2, 3.3, 3.4-3.9, 3.92, 3.94;
174/50.52, 50.53, 50.56, 51, 53-60, 66,
174/67, 521; 439/373, 335-337, 541, 675,
439/668, 623, 892, 938
CPC G06F 1/181; H02G 3/08; H02G 3/081;
H02G 3/14; H02G 5/08; H05K
5/03; H05K 5/0204; H05K 5/06; B65D
43/02; B65D 47/00

See application file for complete search history.

(56) **References Cited**

U.S. PATENT DOCUMENTS

3,023,920 A 1/1960 Cook et al.
D245,905 S * 9/1977 Taylor D13/152

OTHER PUBLICATIONS

Axis Communications, "AXIS M11 Network Camera Series", data sheet; 4 pages, copyright 2012.

(Continued)

Primary Examiner — Wan Laymon

Assistant Examiner — Mark Booker

(74) *Attorney, Agent, or Firm* — Klarquist Sparkman, LLP

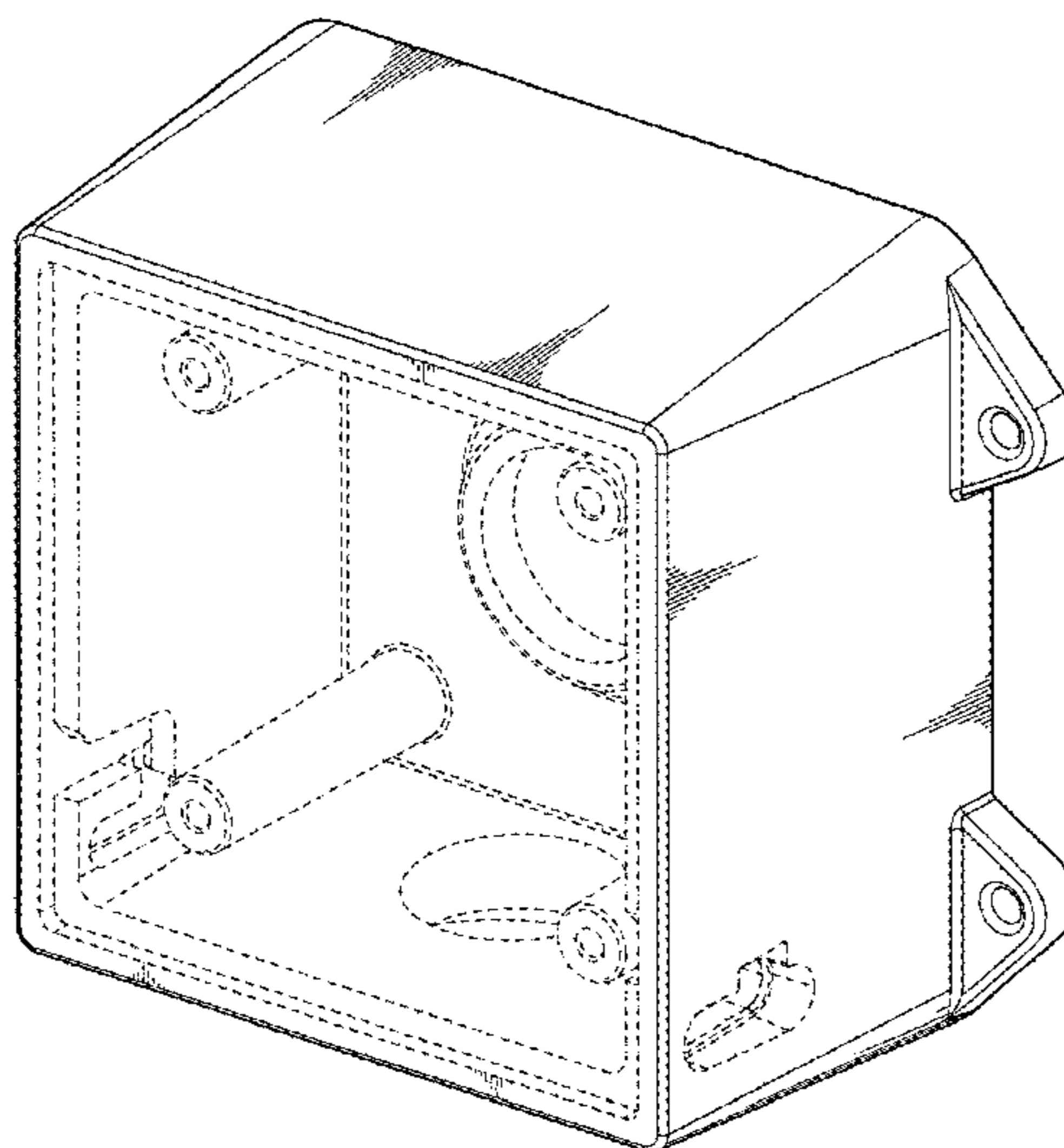
(57) **CLAIM**

We claim the ornamental design for a junction box, as shown and described.

DESCRIPTION

FIG. 1 is a perspective view of the junction box;
FIG. 2 is a top plan view of the junction box;
FIG. 3 is a front elevation view of the junction box;
FIG. 4 is a bottom plan view of the junction box;
FIG. 5 is a rear elevation view of the junction box;
FIG. 6 is a left side elevation view of the junction box; and,
FIG. 7 is a right side elevation view of the junction box.
The broken lines shown in the figures represent portions of the junction box that form no part of the claimed design.

1 Claim, 4 Drawing Sheets



(56)

References Cited

U.S. PATENT DOCUMENTS

D473,888 S 4/2003 Jones et al.
 D474,488 S 5/2003 Arbuckle et al.
 D481,406 S 10/2003 Alessio
 D481,407 S 10/2003 Alessio
 D489,744 S 5/2004 Muto
 D507,804 S 7/2005 Nagai
 D508,710 S 8/2005 Nagai
 D508,934 S 8/2005 Nagai
 D510,374 S 10/2005 Greenwood et al.
 D512,087 S 11/2005 Kato et al.
 D514,150 S 1/2006 Muto et al.
 D515,607 S 2/2006 Cheng
 D522,035 S 5/2006 Muto
 D528,144 S 9/2006 Takemasa
 D529,063 S 9/2006 Cheng
 D539,751 S 4/2007 Kiely
 D540,360 S 4/2007 Yamakawa
 D541,326 S 4/2007 Ford et al.
 D543,568 S 5/2007 Naruki
 D551,275 S 9/2007 Kim
 D552,501 S 10/2007 Lin et al.
 D554,170 S 10/2007 Grotto
 D563,896 S * 3/2008 Greenslate D10/104.1
 D575,810 S 8/2008 Alm
 D578,561 S 10/2008 Dumanogullari
 D582,460 S 12/2008 Yoo et al.
 D592,231 S 5/2009 Schnell
 D594,048 S 6/2009 Yamakawa
 D595,659 S 7/2009 Maurer et al.
 D601,096 S 9/2009 Vigorito et al.
 D607,033 S 12/2009 Arbuckle et al.
 7,645,936 B2 * 1/2010 Magno, Jr. H02G 3/14
 174/50
 D609,727 S 2/2010 Adolfsson et al.
 D610,178 S 2/2010 Adolfsson et al.
 D610,183 S 2/2010 Nohavec et al.
 D612,712 S 3/2010 Rix

D614,222 S 4/2010 Yamakawa
 D615,114 S 5/2010 Arnold et al.
 D628,225 S 11/2010 Deurwaarder
 D635,173 S 3/2011 Yamakawa
 D638,871 S 5/2011 Bergstrom et al.
 D642,607 S 8/2011 Bergstrom et al.
 D643,452 S 8/2011 Alm et al.
 D645,071 S 9/2011 Hinkel
 D661,719 S 6/2012 Katori et al.
 D662,120 S 6/2012 Deurwaarder
 D664,178 S 7/2012 Hinkel
 D666,660 S 9/2012 Amit et al.
 D668,701 S 10/2012 Ohno et al.
 D676,814 S 2/2013 Paul
 D676,887 S 2/2013 Nakashima et al.
 D677,634 S 3/2013 Korcz et al.
 D679,252 S 4/2013 Wagner et al.
 D684,618 S 6/2013 Park et al.
 D684,619 S 6/2013 Chapple et al.
 D684,935 S 6/2013 DeCosta
 D690,344 S 9/2013 Hollinger
 D694,798 S 12/2013 Deurwaarder
 D696,329 S 12/2013 Horiki et al.
 D697,123 S 1/2014 Takahashi et al.
 D702,198 S 4/2014 Gretz
 D702,275 S 4/2014 Ying
 D722,296 S 2/2015 Taylor
 D722,977 S * 2/2015 Hagarty D13/152
 D725,605 S * 3/2015 Hashimoto D13/159
 D725,692 S 3/2015 Celler
 D731,574 S 6/2015 Hallstrom et al.
 D732,596 S 6/2015 Wang et al.
 D732,597 S 6/2015 Celler

OTHER PUBLICATIONS

Axis Communications, "AXIS M11-L Network Camera Series", data sheet; 4 pages, copyright 2012.

* cited by examiner

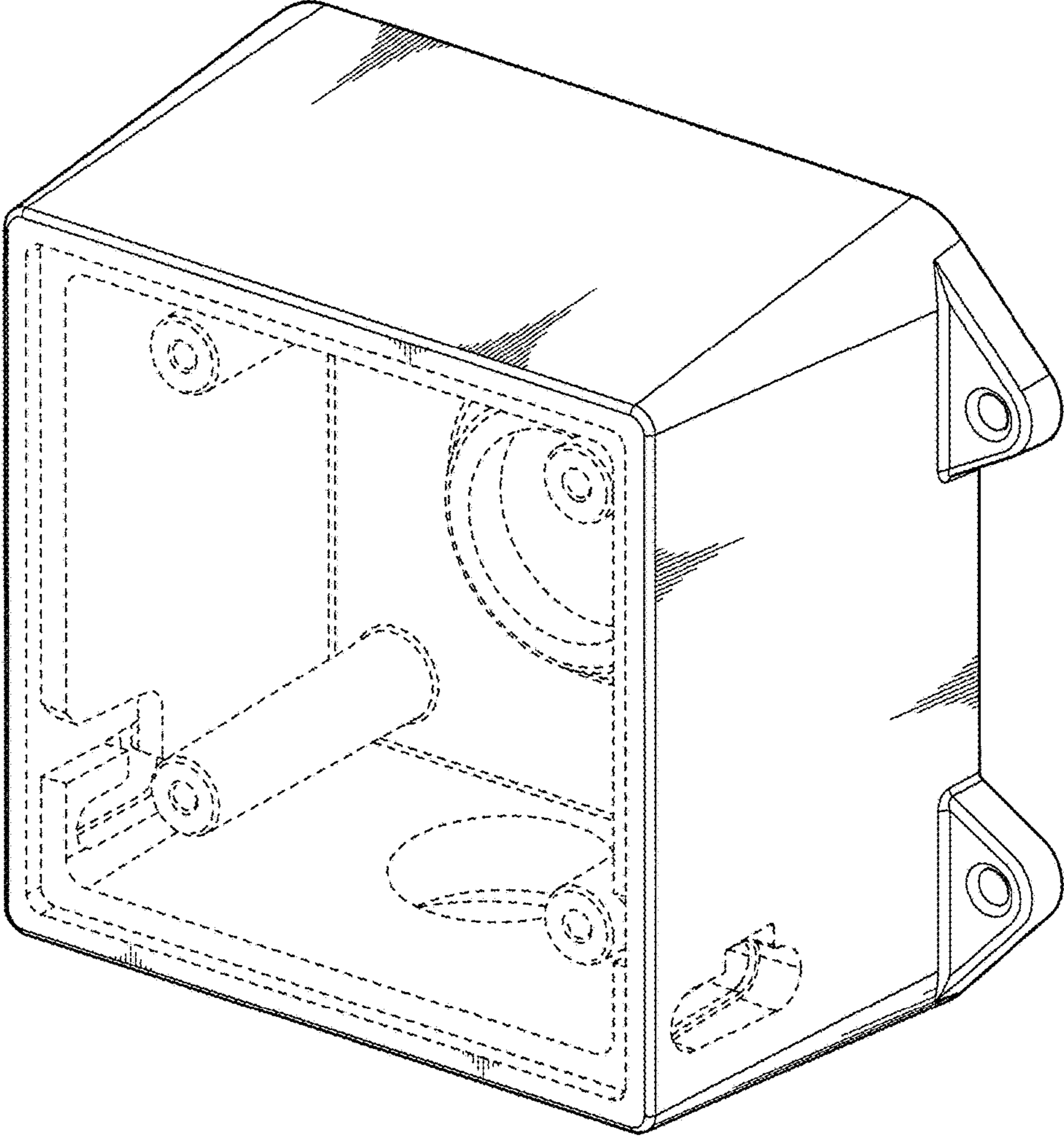


FIG. 1



FIG. 2

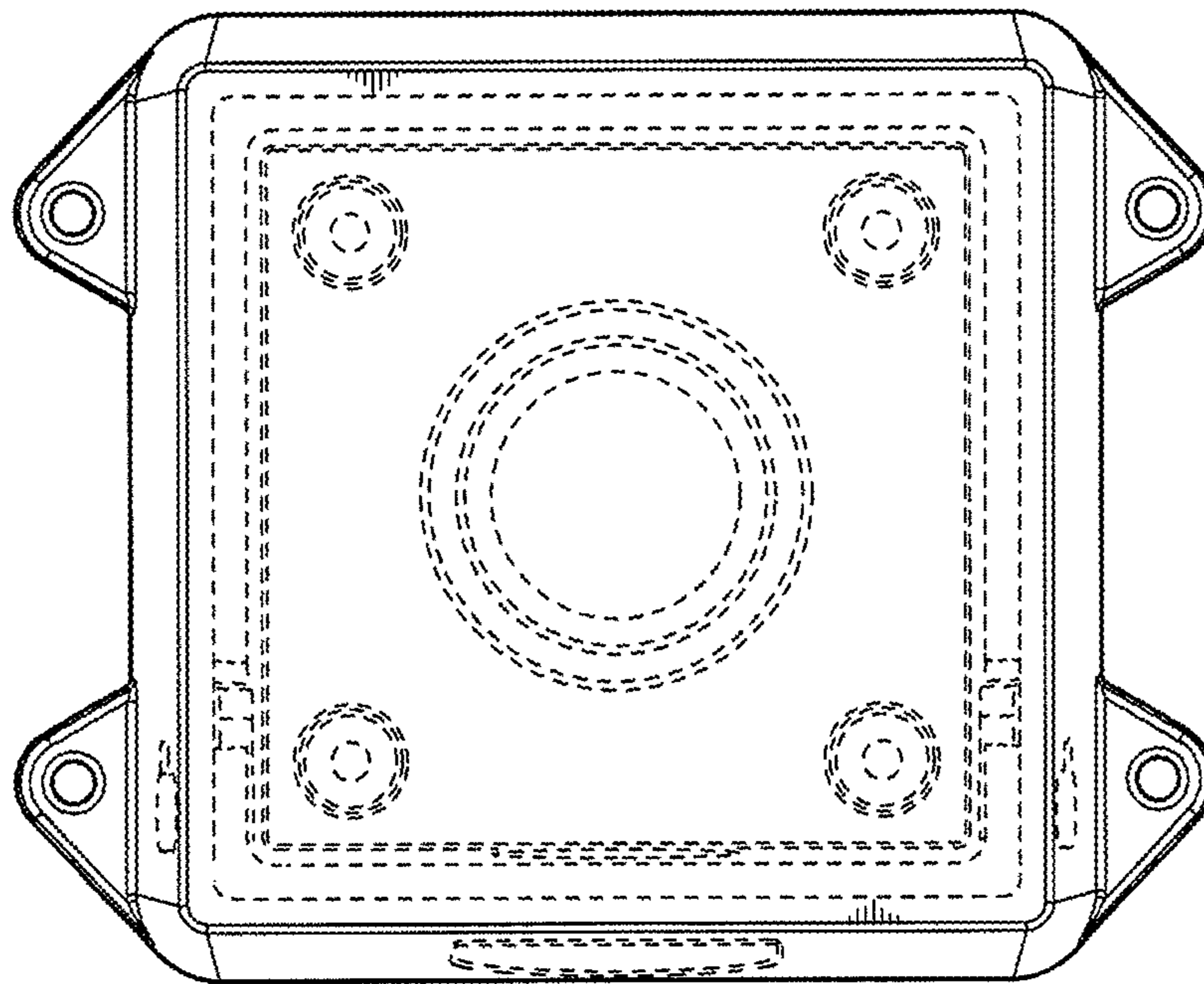


FIG. 3

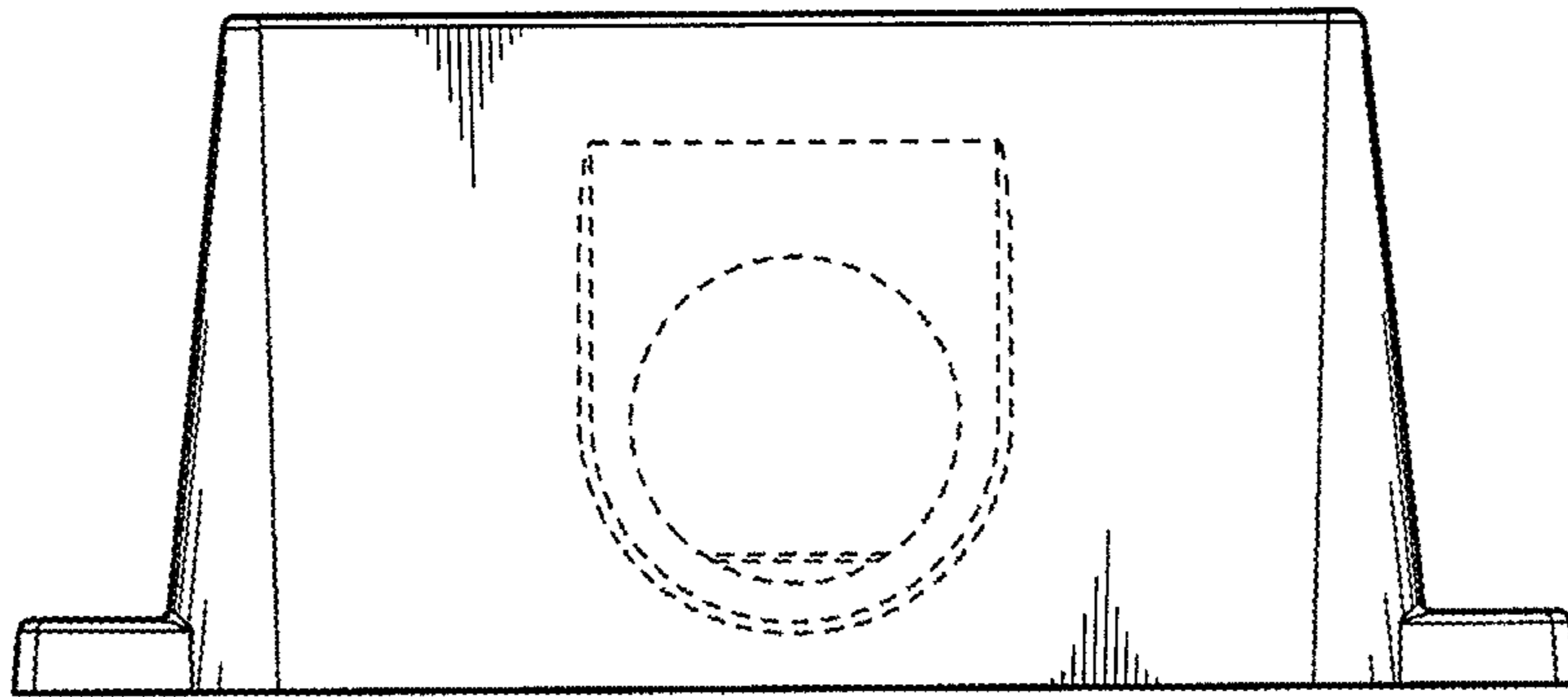


FIG. 4

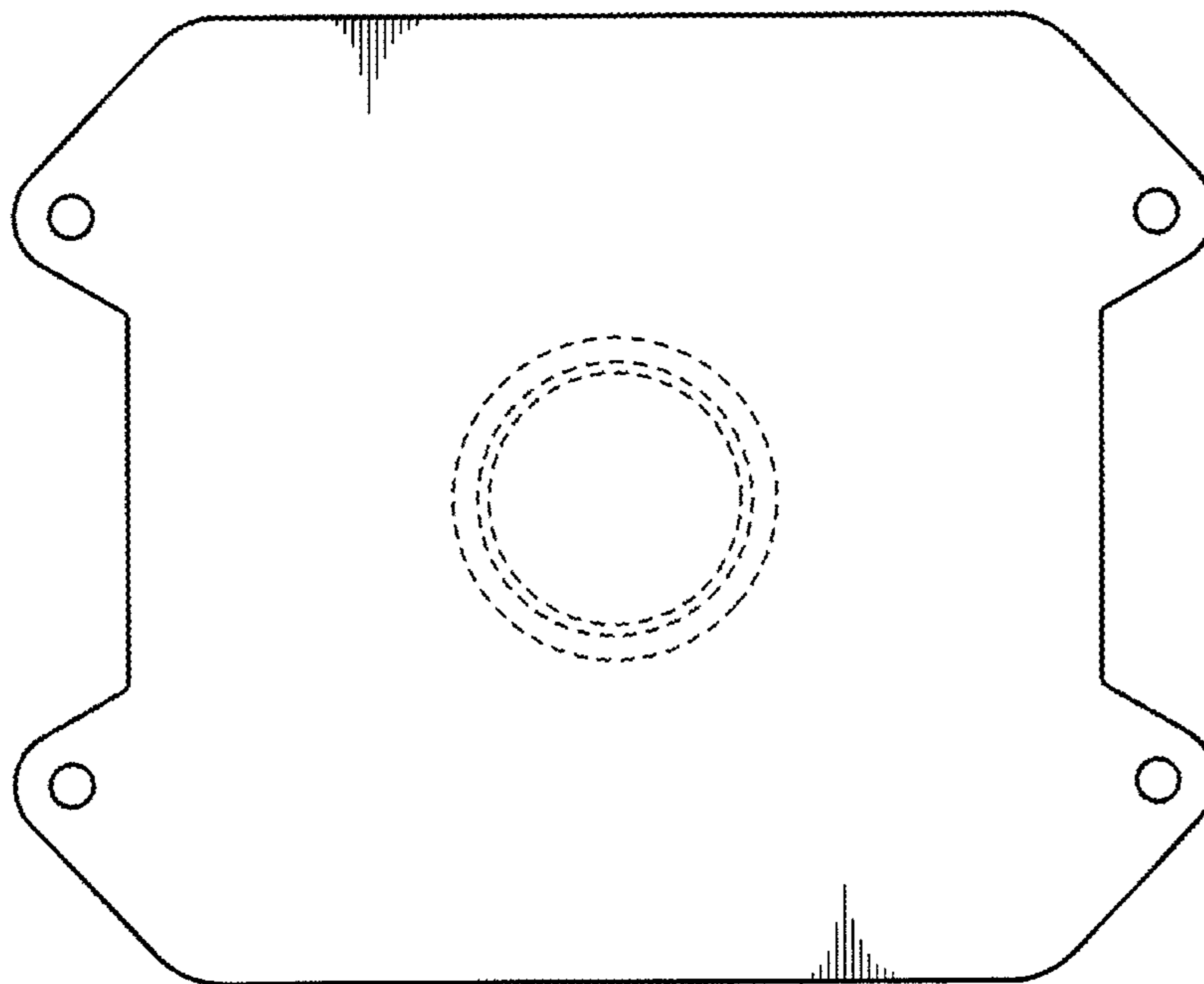


FIG. 5

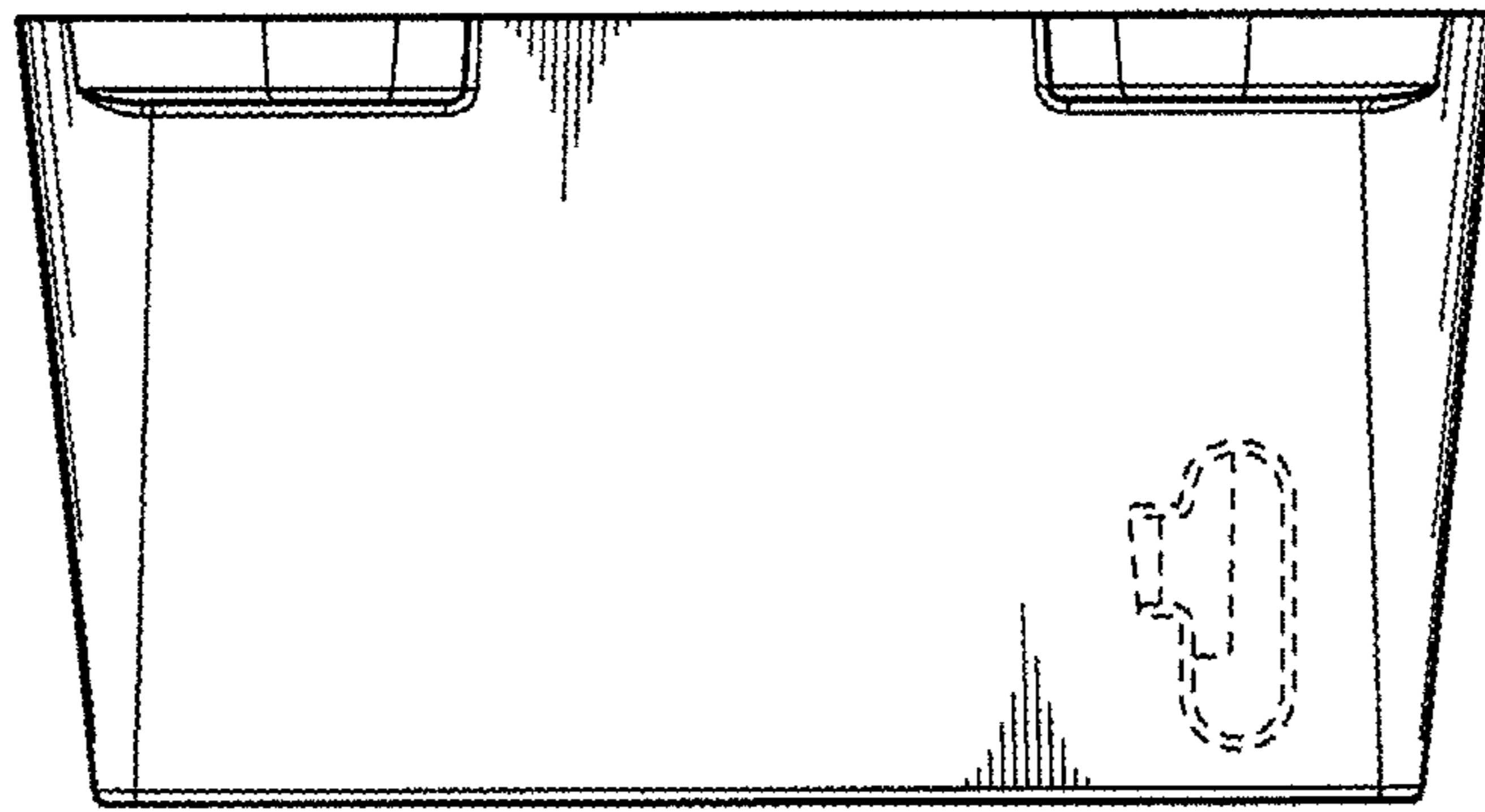


FIG. 6

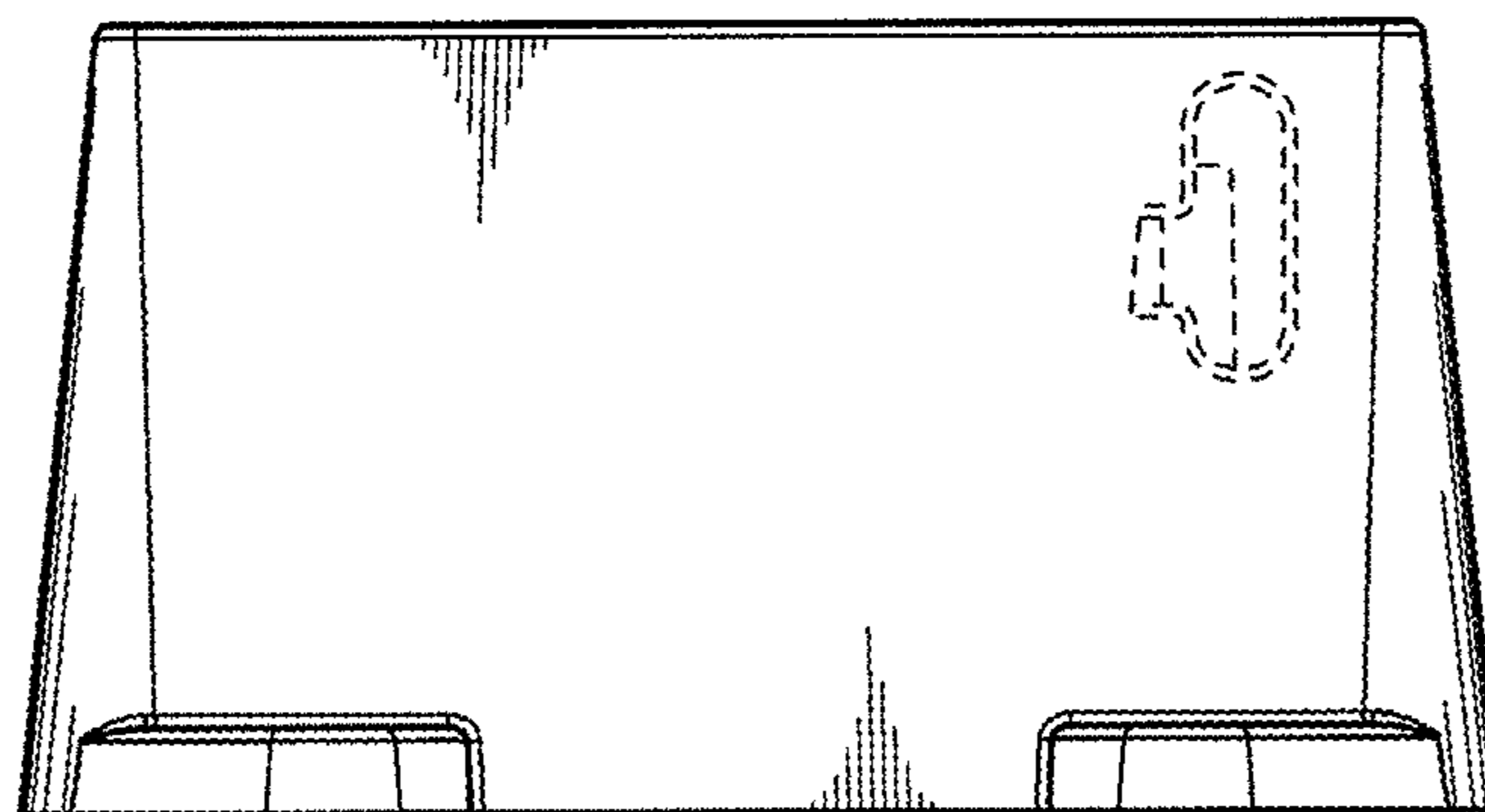


FIG. 7