



US00D778240S

(12) **United States Design Patent** (10) **Patent No.:** **US D778,240 S**
Sato (45) **Date of Patent:** **** Feb. 7, 2017**

(54) **CONNECTOR**

(71) Applicant: **IRISO ELECTRONICS CO., LTD.**,
Yokohama (JP)

(72) Inventor: **Katsumasa Sato**, Yokohama (JP)

(73) Assignee: **IRISO ELECTRONICS CO., LTD.**,
Kanagawa (JP)

(**) Term: **15 Years**

(21) Appl. No.: **29/505,322**

(22) Filed: **Sep. 16, 2015**

(30) **Foreign Application Priority Data**

Mar. 20, 2015 (JP) 2015-005995

(51) **LOC (10) Cl.** **13-03**

(52) **U.S. Cl.**
USPC **D13/147**

(58) **Field of Classification Search**

USPC D13/133, 147, 154, 184, 199
CPC H01R 12/00; H01R 13/00; H01R 24/00;
H01R 43/00

See application file for complete search history.

(56) **References Cited**

U.S. PATENT DOCUMENTS

D271,197 S	*	11/1983	Jones	D13/147
D474,155 S	*	5/2003	Wu	D13/147
D704,645 S	*	5/2014	Nomura	D13/147
D718,243 S	*	11/2014	Scholeno	D13/147
D740,757 S	*	10/2015	Scholeno	D13/147

* cited by examiner

Primary Examiner — Daniel Bui

(74) *Attorney, Agent, or Firm* — Buchanan Ingersoll & Rooney PC

(57) **CLAIM**

The ornamental design for a connector, as shown and described.

DESCRIPTION

FIG. 1 is a front elevational view of a connector showing my new design; a rear elevational view thereof being a mirror image thereof;

FIG. 2 is a right side elevational view thereof; a left side elevational view thereof being a mirror image thereof;

FIG. 3 is a top plan view thereof;

FIG. 4 is a bottom plan view thereof;

FIG. 5 is a front, top and right side perspective view thereof;

FIG. 6 is a front, bottom and right side perspective view thereof;

FIG. 7 is a cross-sectional view thereof taken along line 7-7 in FIG. 3;

FIG. 8 is a cross-sectional view thereof taken along line 8-8 in FIG. 3;

FIG. 9 is a cross-sectional view thereof taken along the line 9-9 in FIG. 3;

FIG. 10 is a cross-sectional view thereof taken along the line 10-10 in FIG. 3; and,

FIG. 11 is a cross-sectional view thereof taken along the line 11-11 in FIG. 3.

The broken line in the figure drawing views is included for the purpose of illustrating environment only and forms no part of the claimed design.

1 Claim, 11 Drawing Sheets

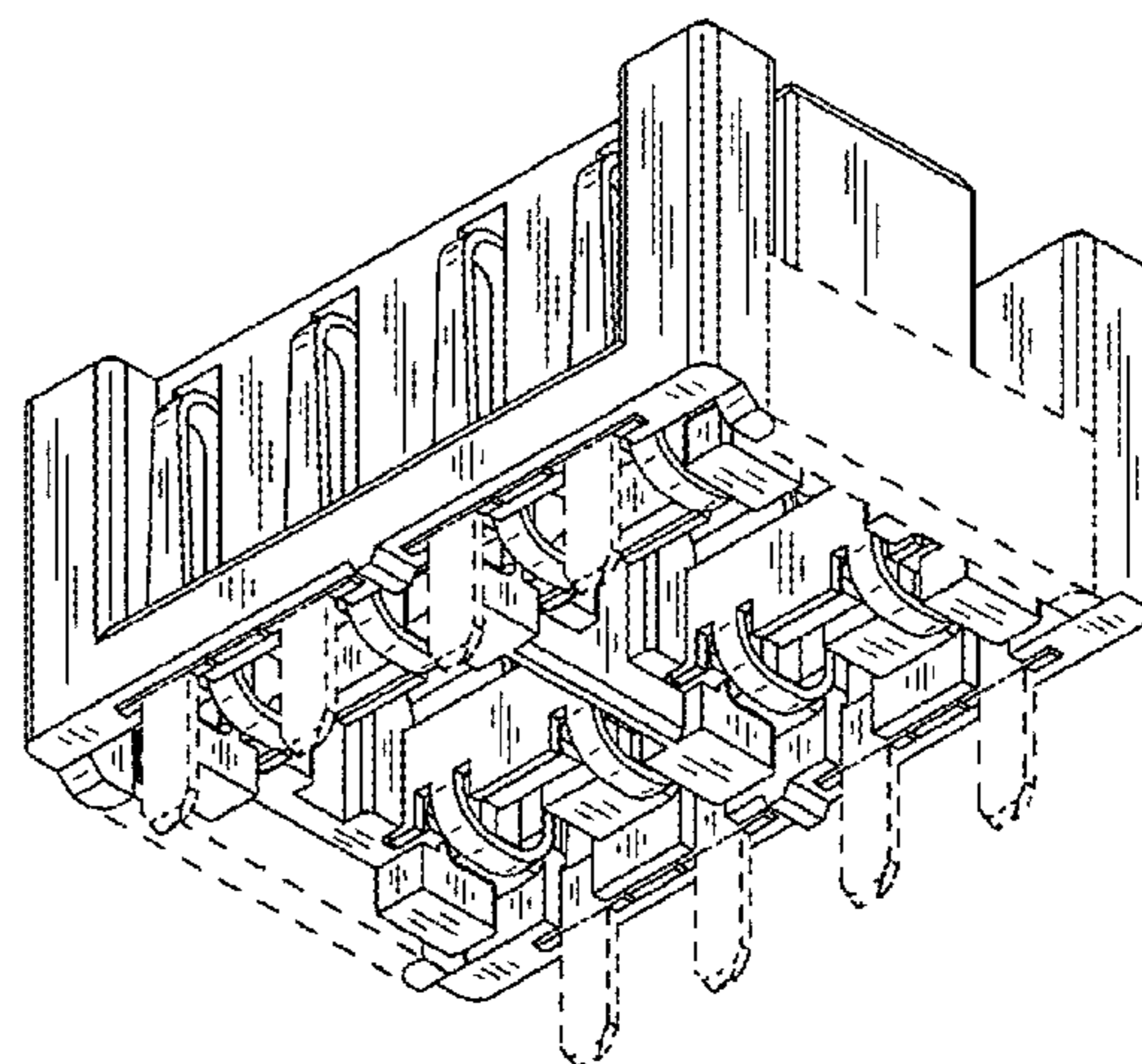
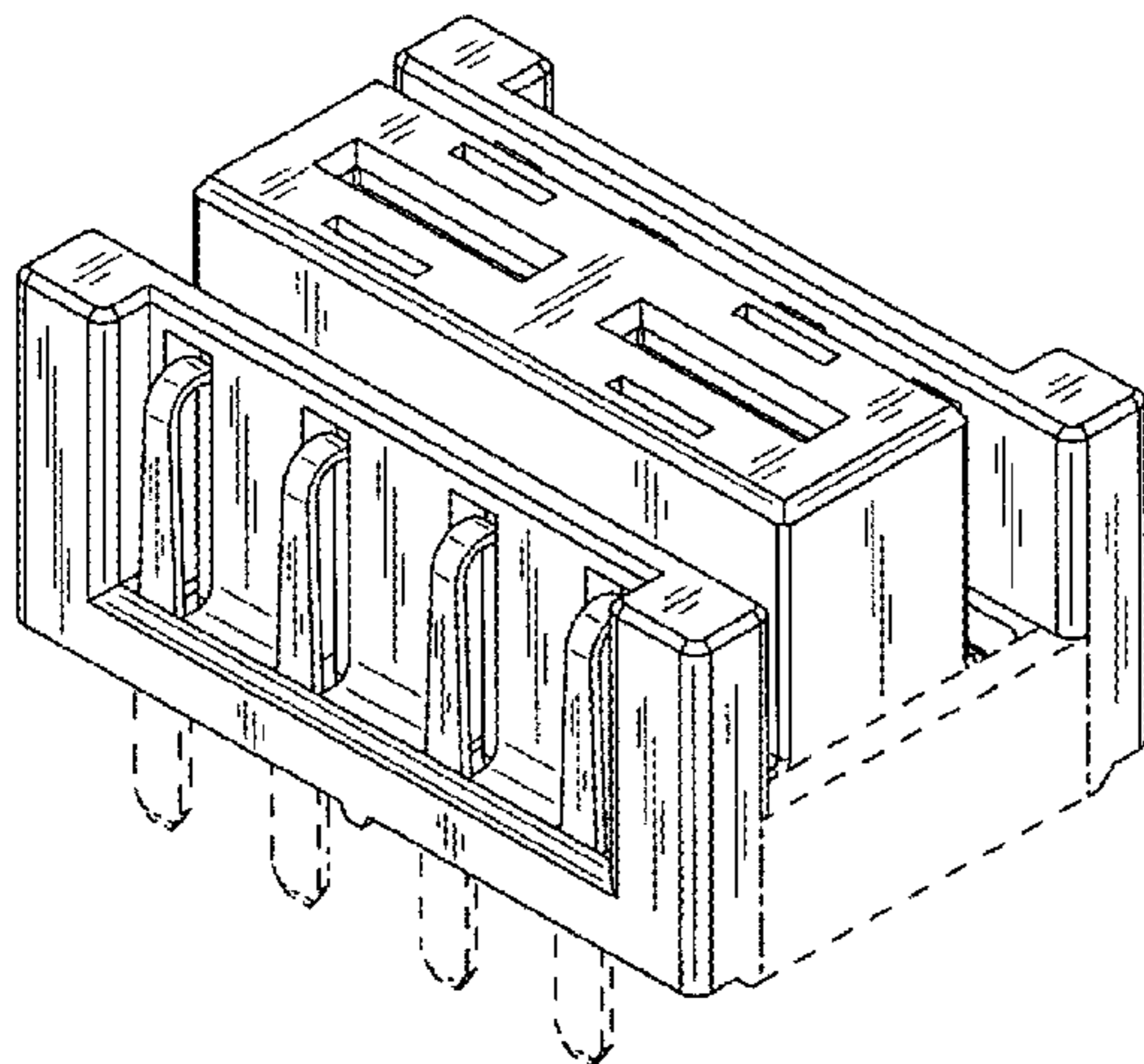


Fig.1

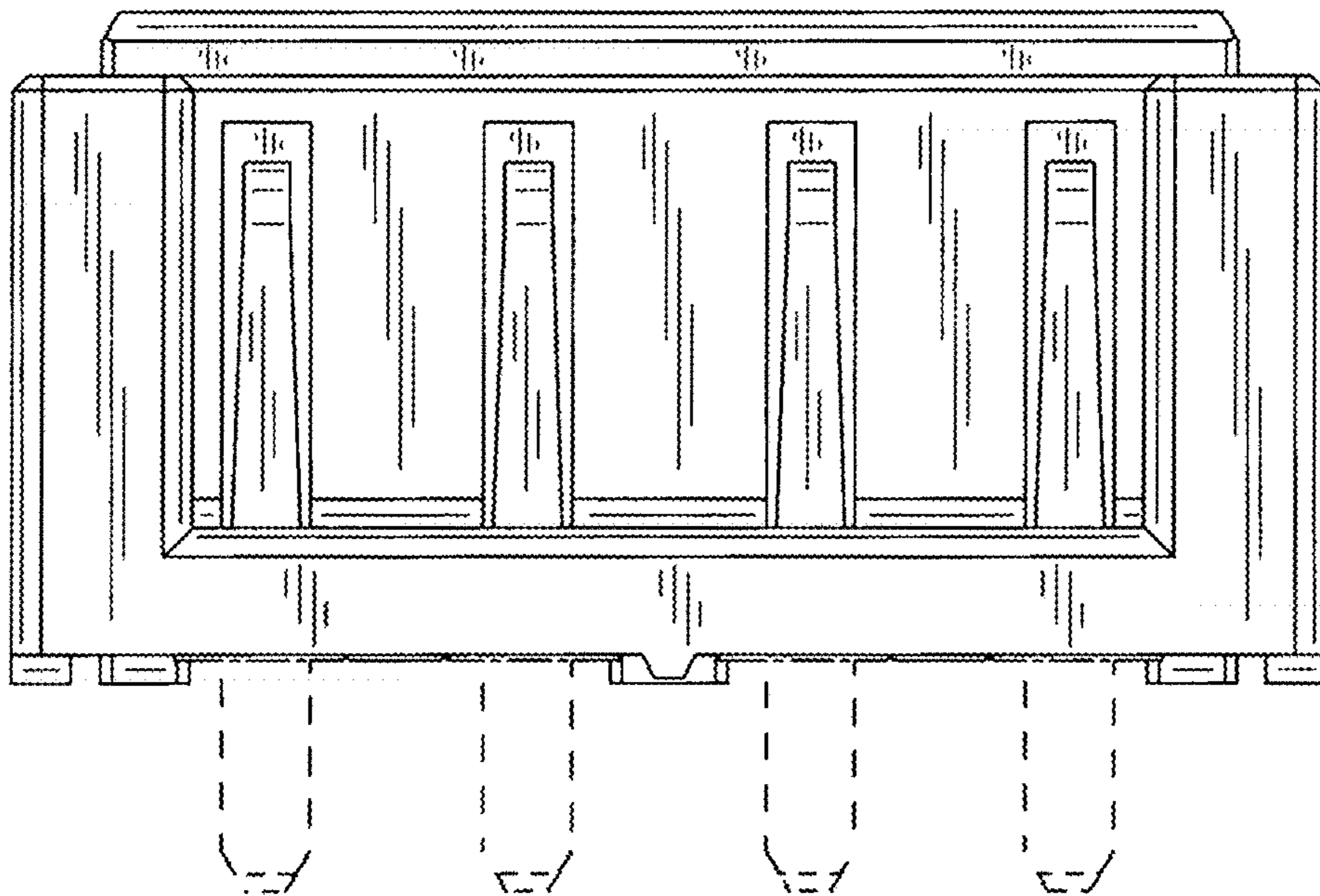


Fig.2

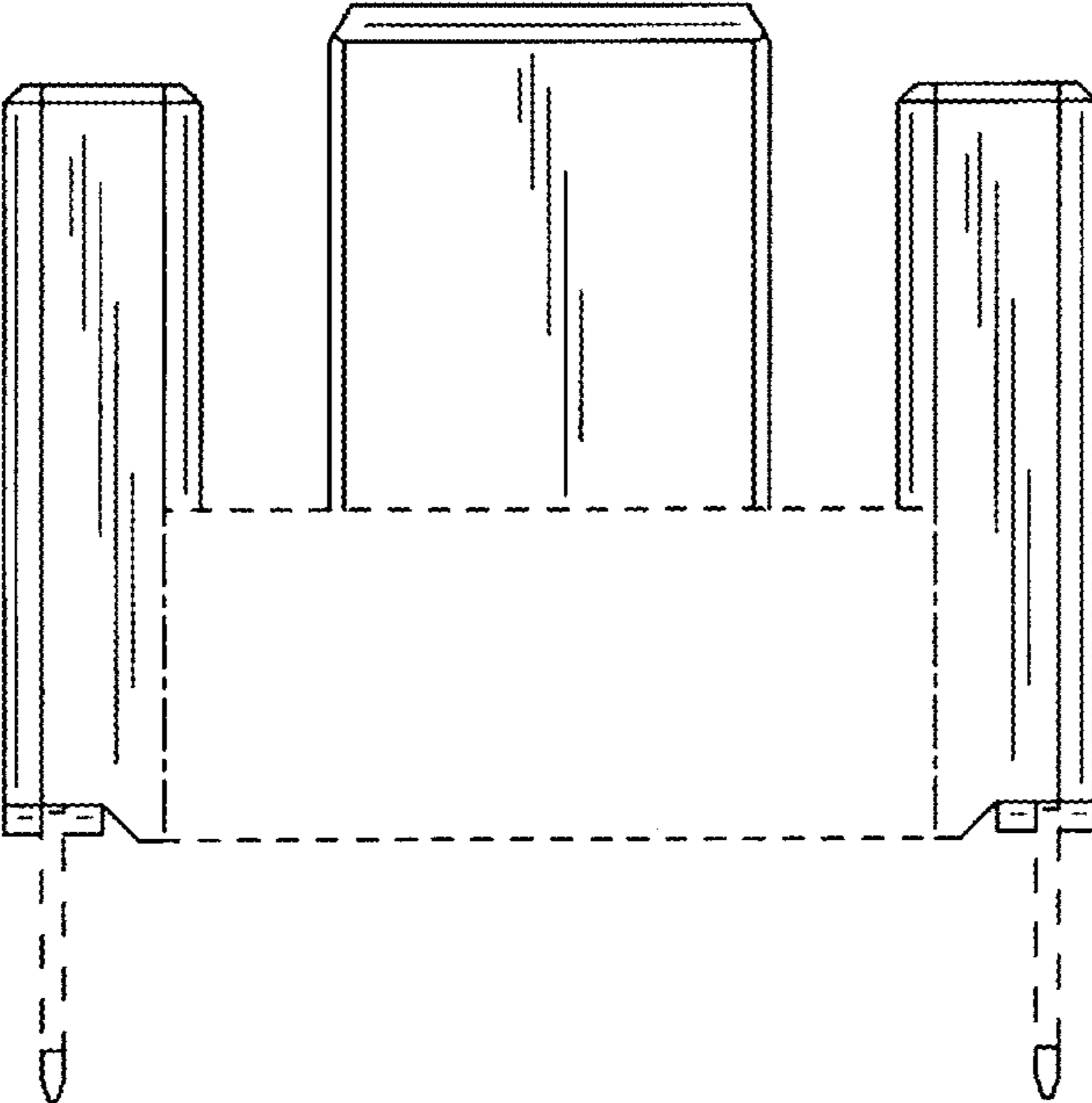


Fig.3

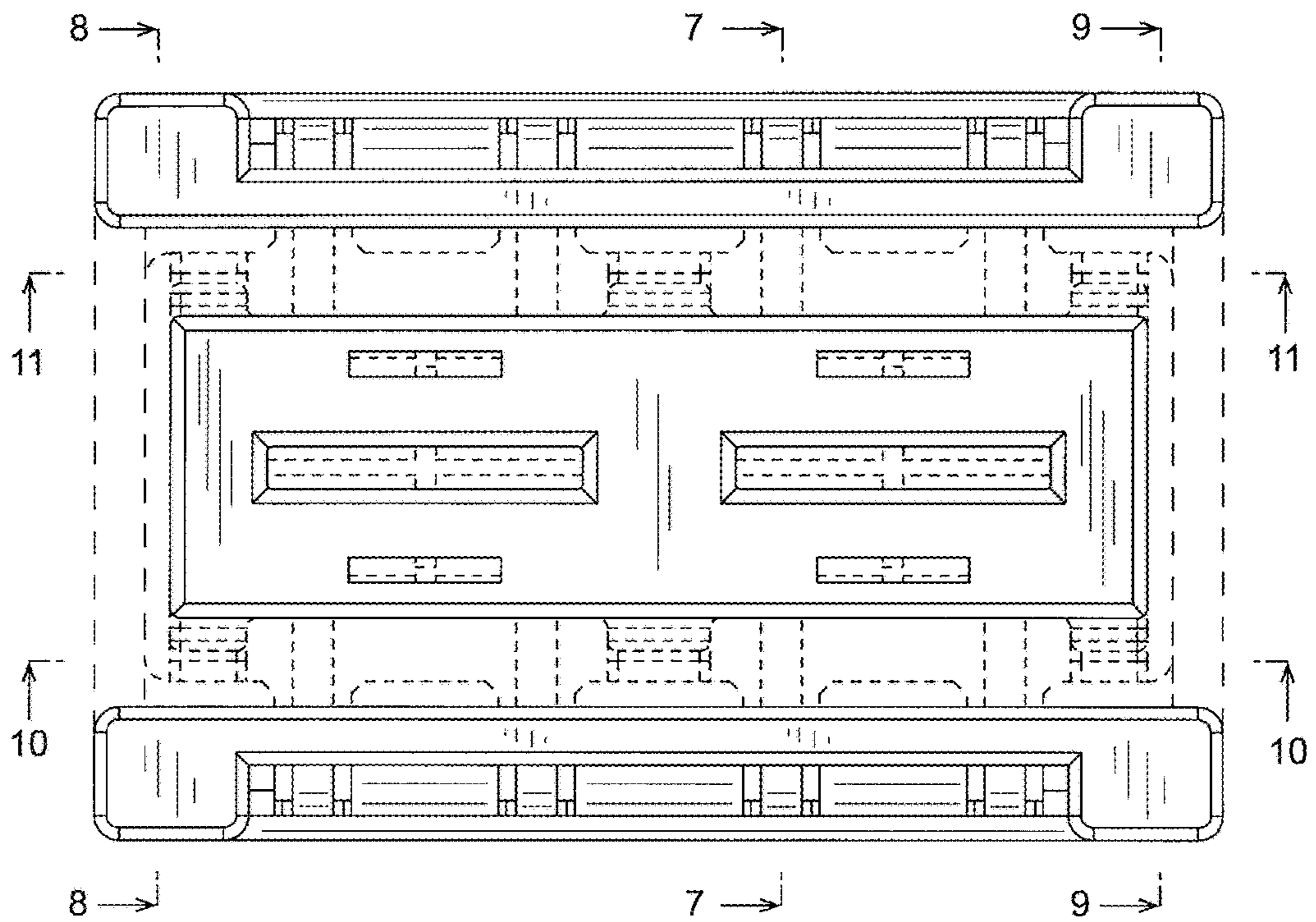


Fig.4

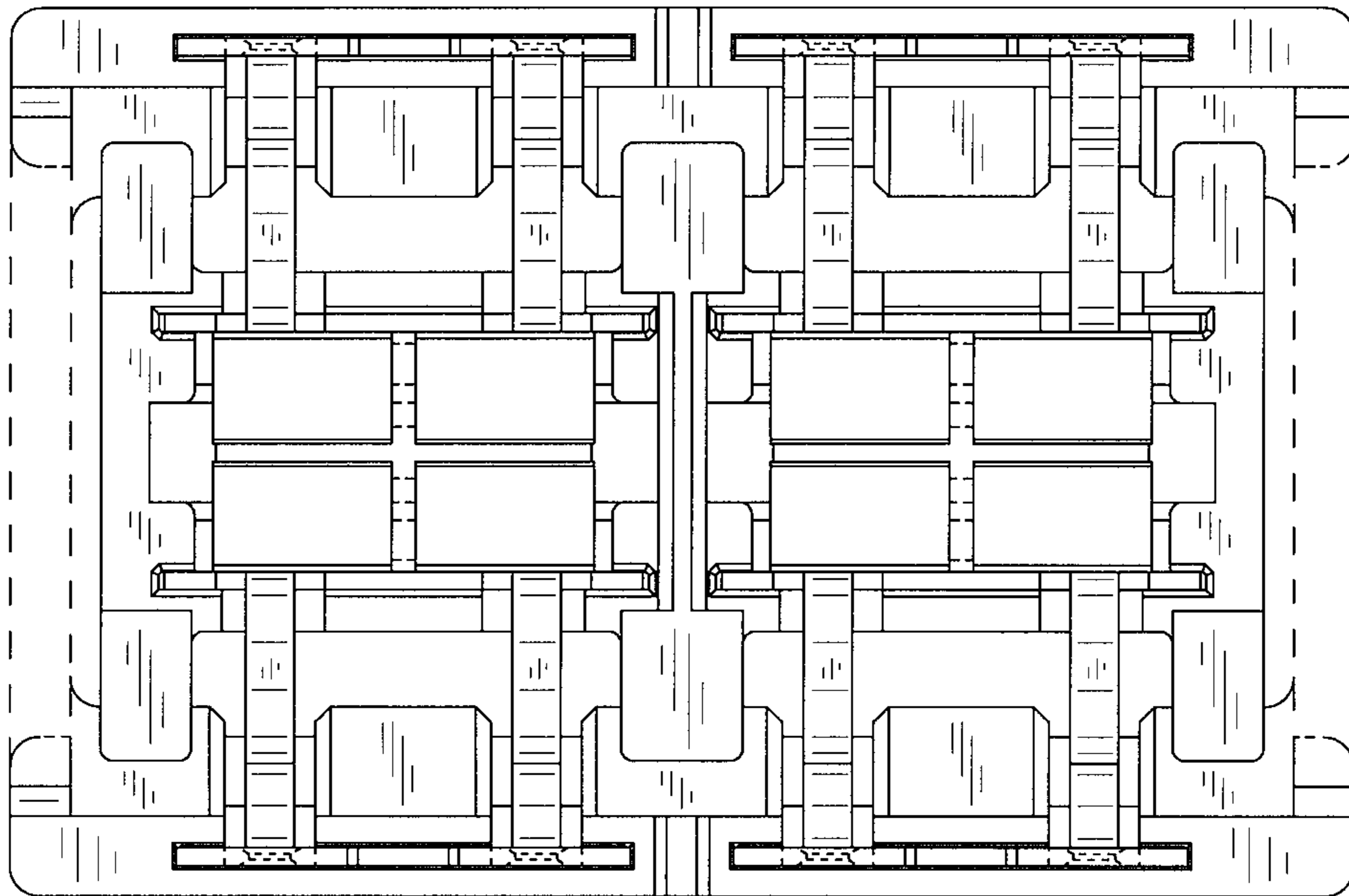


Fig.5

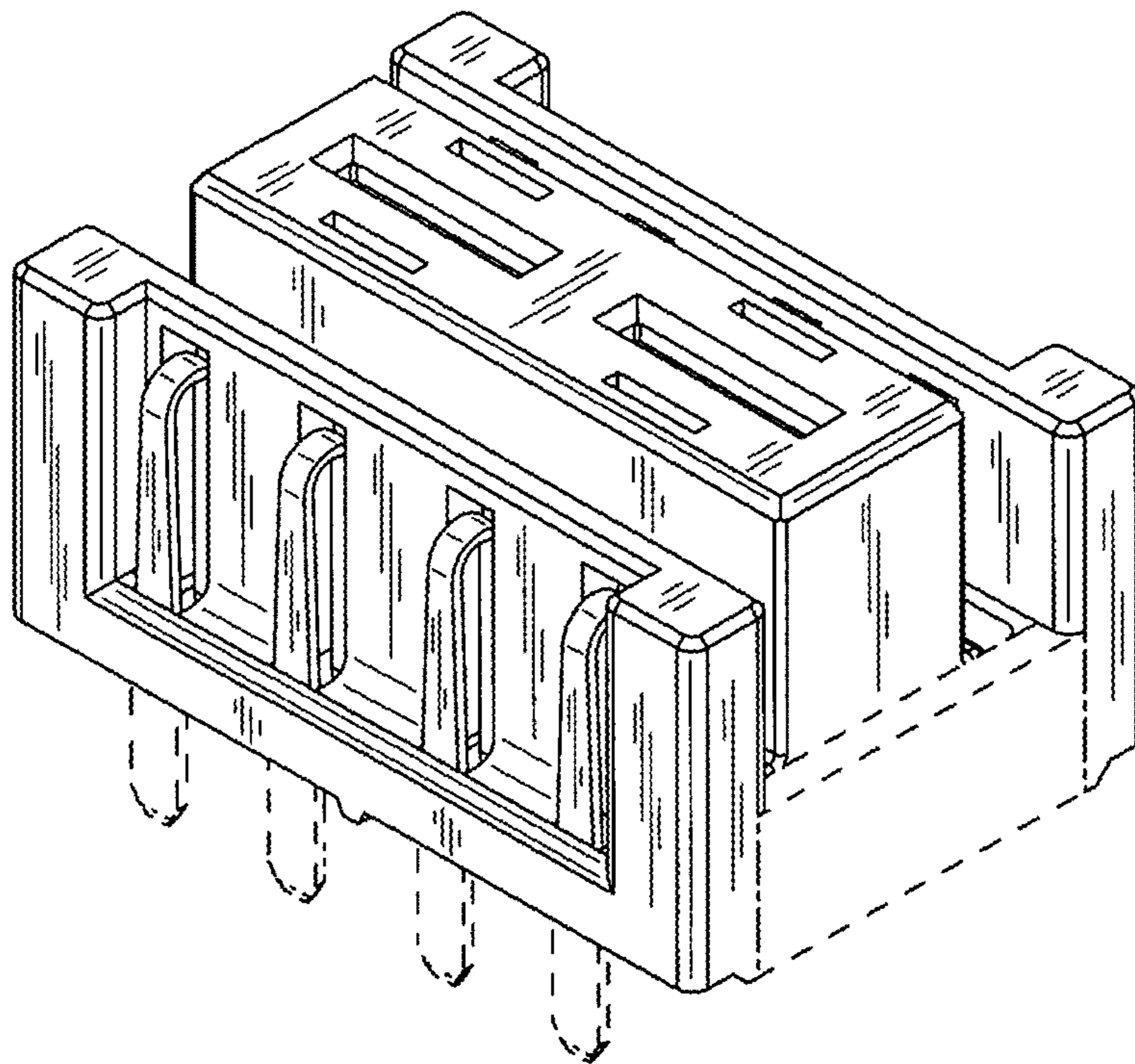


Fig.6

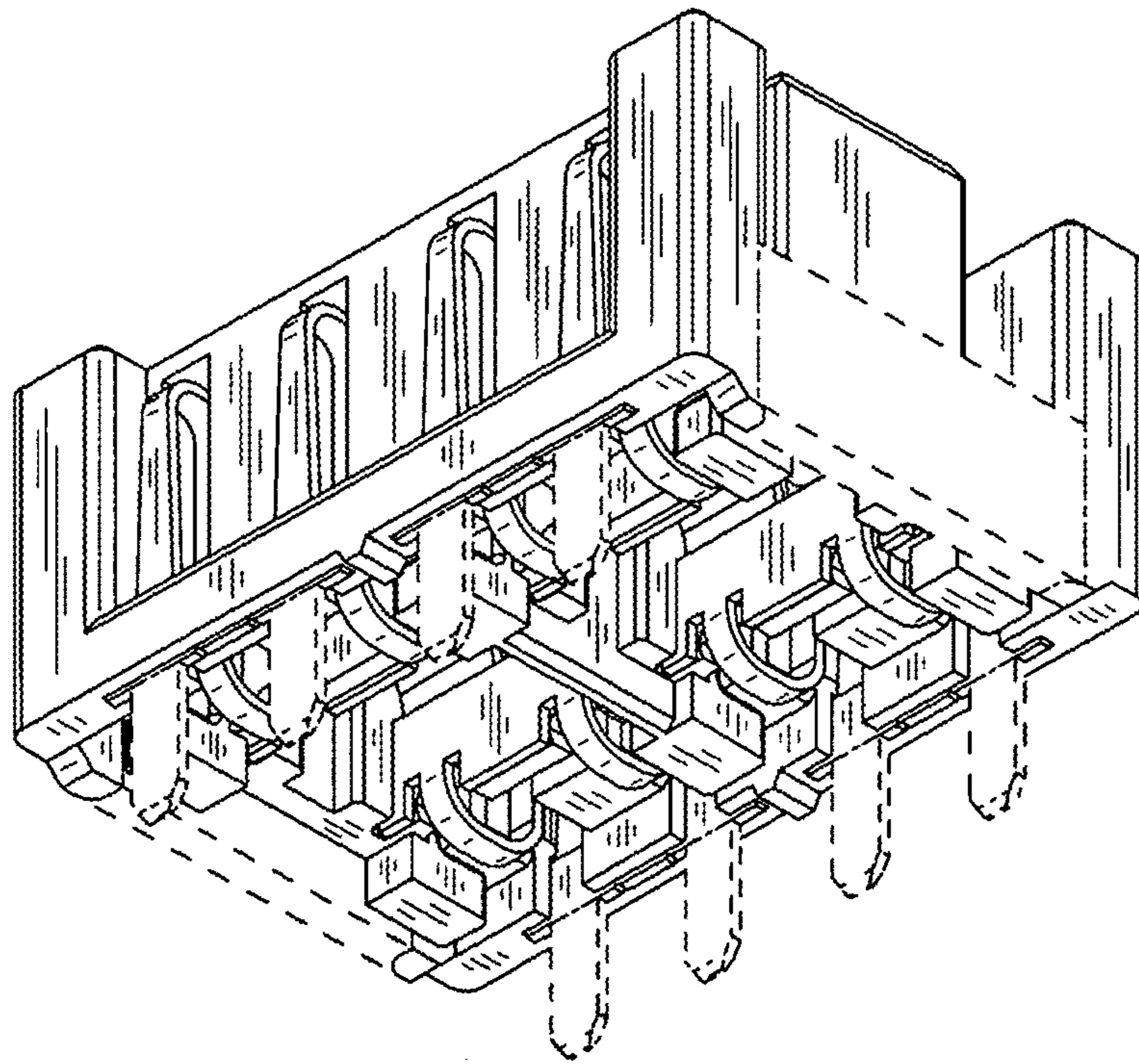


Fig.7

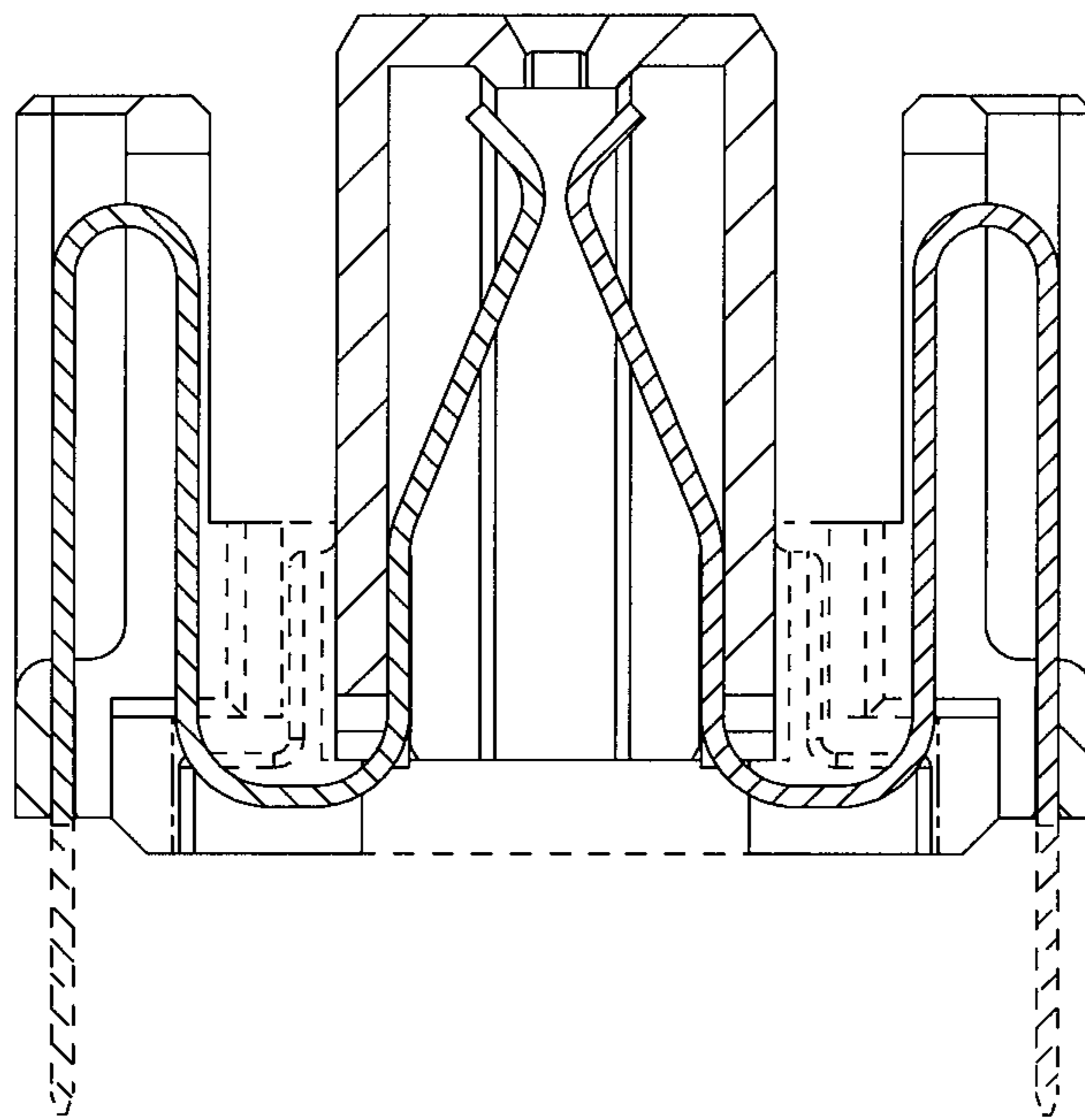


Fig.8

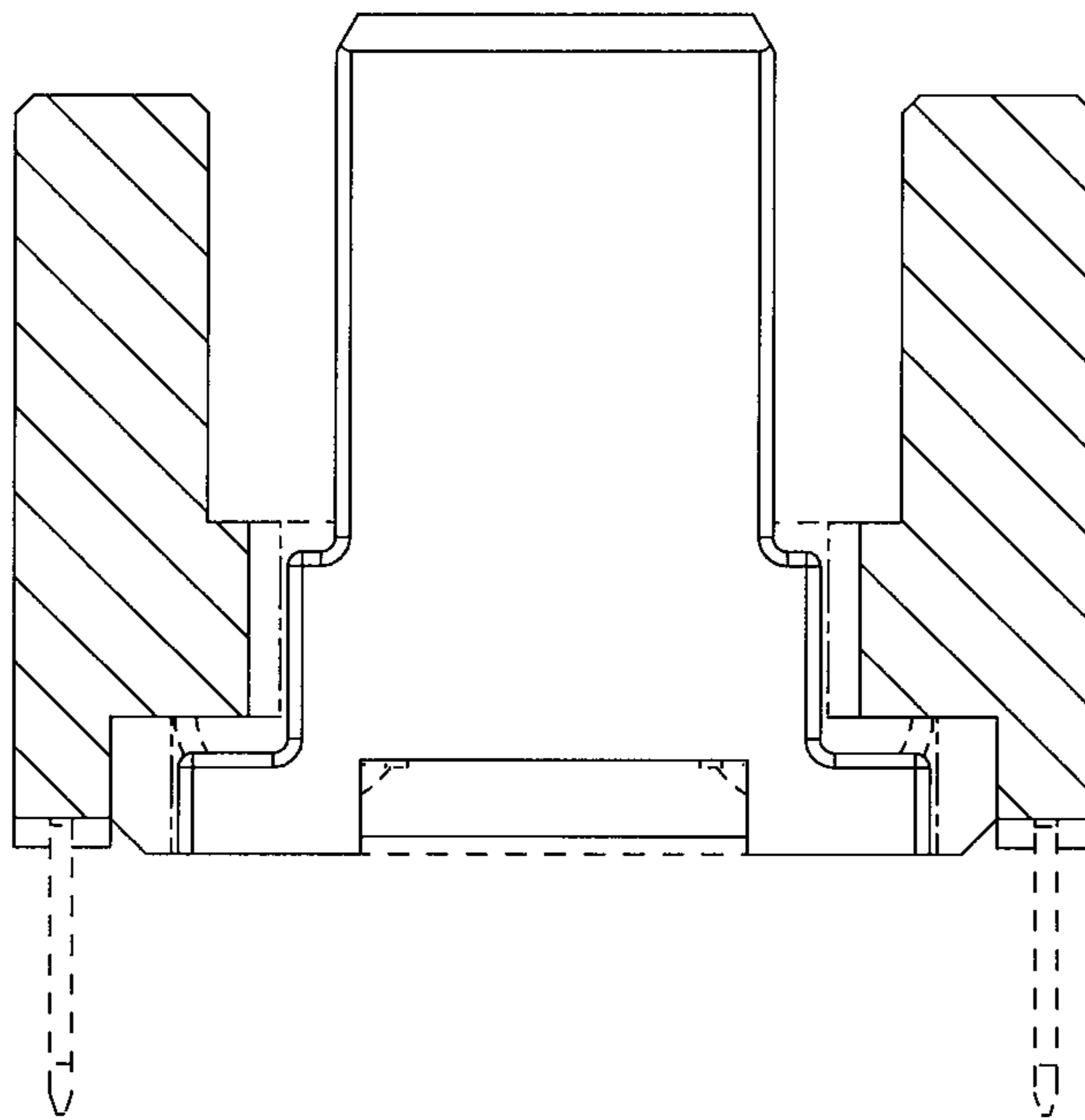


Fig.9

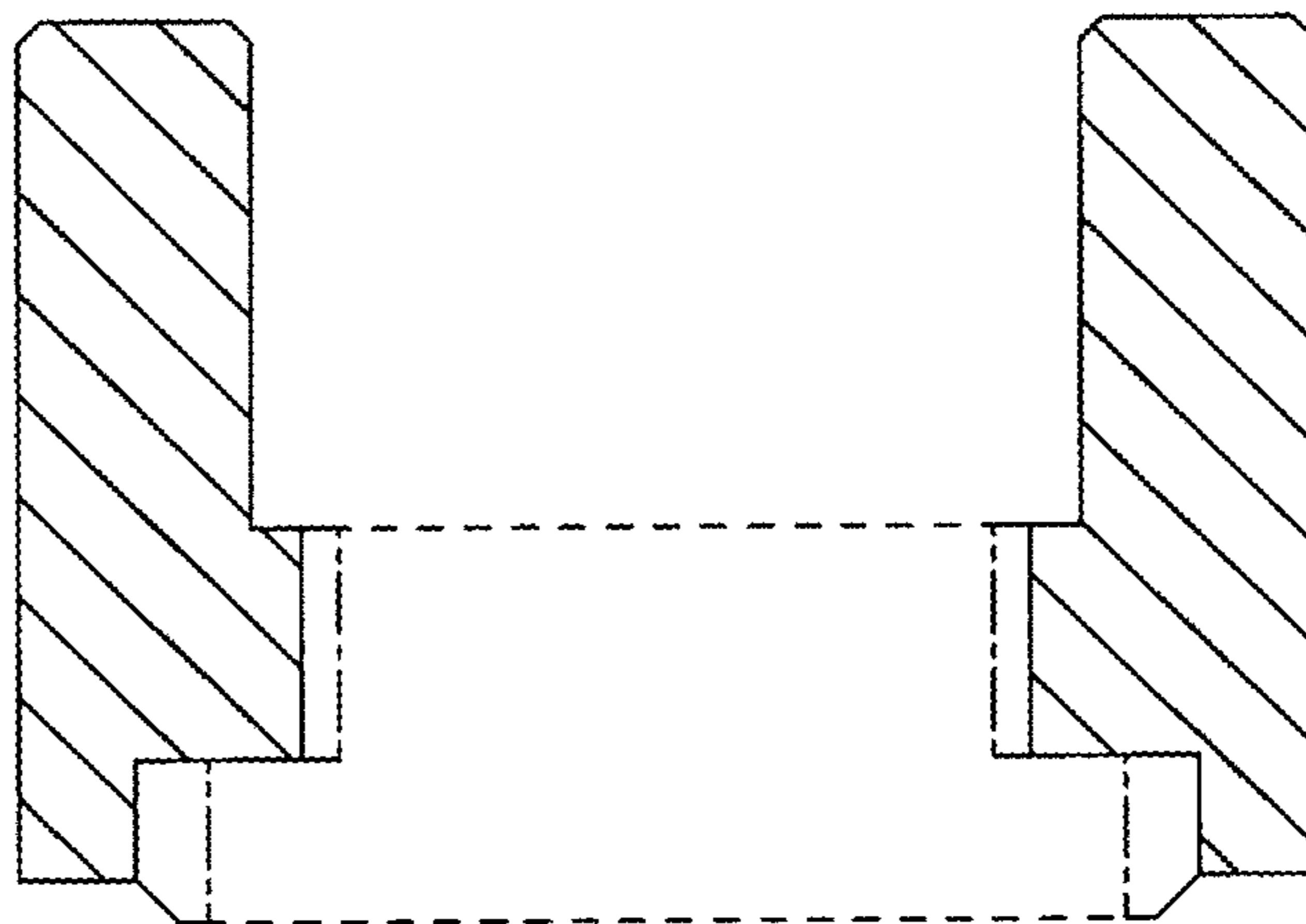


Fig.10

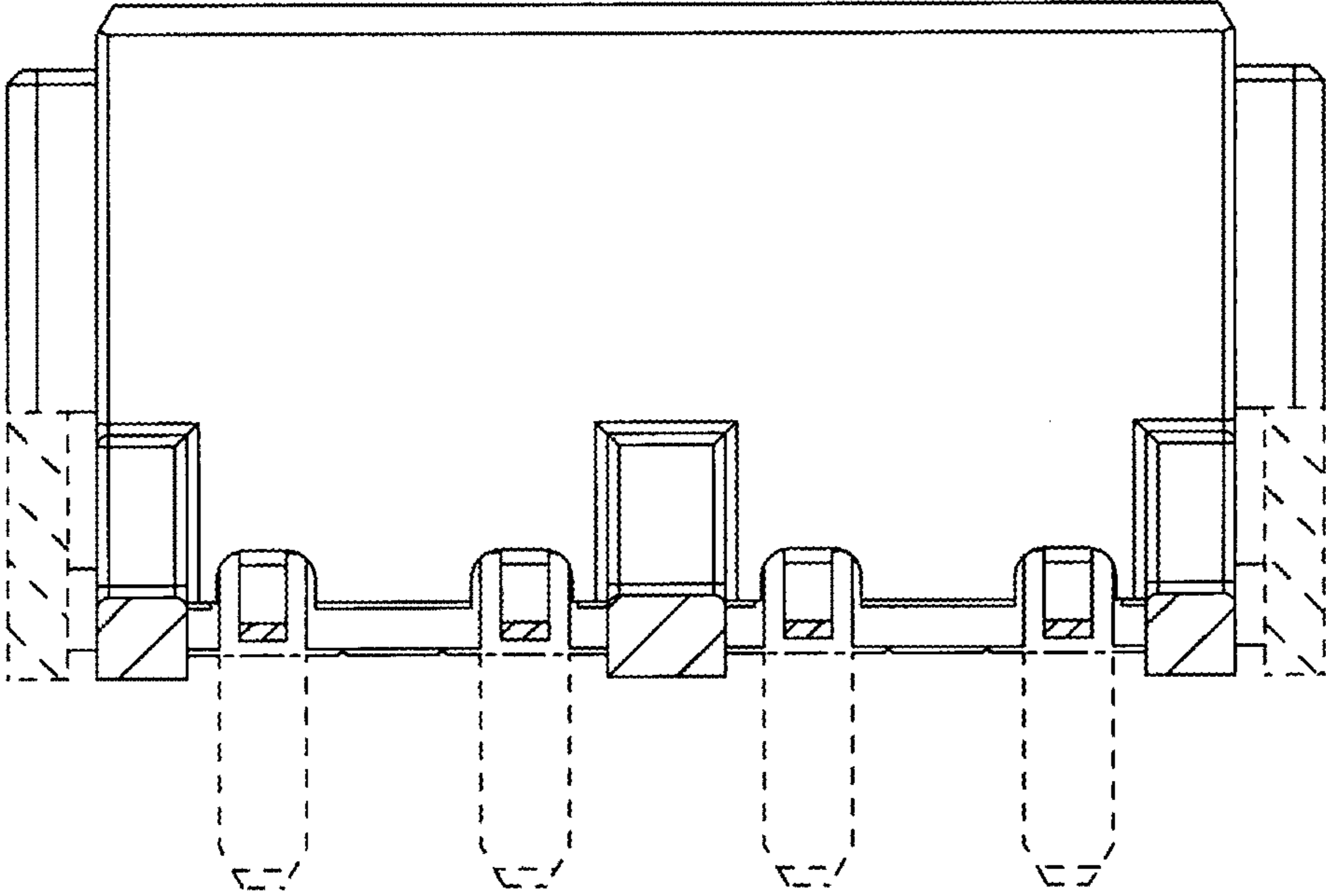


Fig.11

