



US00D778238S

(12) **United States Design Patent**
Gouhl et al.

(10) **Patent No.:** **US D778,238 S**
(45) **Date of Patent:** **** Feb. 7, 2017**

- (54) **CIRCUIT INTERRUPTER**
- (71) Applicant: **EATON CORPORATION**, Cleveland, OH (US)
- (72) Inventors: **Erik Jefferey Gouhl**, Fayetteville, GA (US); **Luis F Salas**, Fayetteville, GA (US); **Pramod Kumar**, Peachtree City, GA (US); **Sushant Dilip Raut**, Mangarulpur (IN); **Arpit Agrawal**, Varanasi (IN)
- (73) Assignee: **EATON CORPORATION**, Cleveland
- (**) Term: **15 Years**

D512,021 S *	11/2005	Fort	D13/139.6
7,034,224 B2 *	4/2006	Kim	H01R 13/713 174/50
D521,932 S *	5/2006	Fort	D13/139.6
D531,121 S *	10/2006	Fort	D13/139.3
D536,305 S *	2/2007	Fort	D13/139.6
D537,413 S *	2/2007	Fort	D13/139.6
D545,272 S *	6/2007	Zhang	D13/139.3
D598,859 S *	8/2009	Vaccaro	D13/139.3
D603,983 S *	11/2009	Richter	D13/177
D603,984 S *	11/2009	Richter	D13/177
D604,873 S *	11/2009	Richter	D13/177
D674,753 S *	1/2013	Jansen	D13/139.1
D692,385 S *	10/2013	Dodal	D13/139.1
D705,734 S *	5/2014	Dodal	D13/139.1
D732,719 S *	6/2015	Mozdzer	D13/139.1
D744,952 S *	12/2015	Ni	D13/139.3
2008/0024252 A1 *	1/2008	Gallas	H01H 83/144 335/18

- (21) Appl. No.: **29/555,132**
- (22) Filed: **Feb. 18, 2016**
- (51) **LOC (10) Cl.** **13-03**
- (52) **U.S. Cl.**
USPC **D13/137.3**
- (58) **Field of Classification Search**
USPC D13/137.1-137.4, 139.1, 139.3, 139.6,
D13/177; 340/12.39; 361/42; 335/18;
174/50
CPC ... H01R 13/7135; H01R 13/713; H01H 83/04;
H01H 51/088; H01H 83/02; H01H 83/144
See application file for complete search history.

- (56) **References Cited**
U.S. PATENT DOCUMENTS
4,518,945 A * 5/1985 Doyle H01H 51/088
340/12.39
4,595,894 A * 6/1986 Doyle H01H 83/02
335/18
4,802,052 A * 1/1989 Brant H01R 13/7135
335/18
5,594,398 A * 1/1997 Marcou H01H 83/04
335/18

(Continued)

Primary Examiner — Rhea Shields
(74) *Attorney, Agent, or Firm* — Eckert Seamans;
Nathaniel Wilks; Grant Coffield

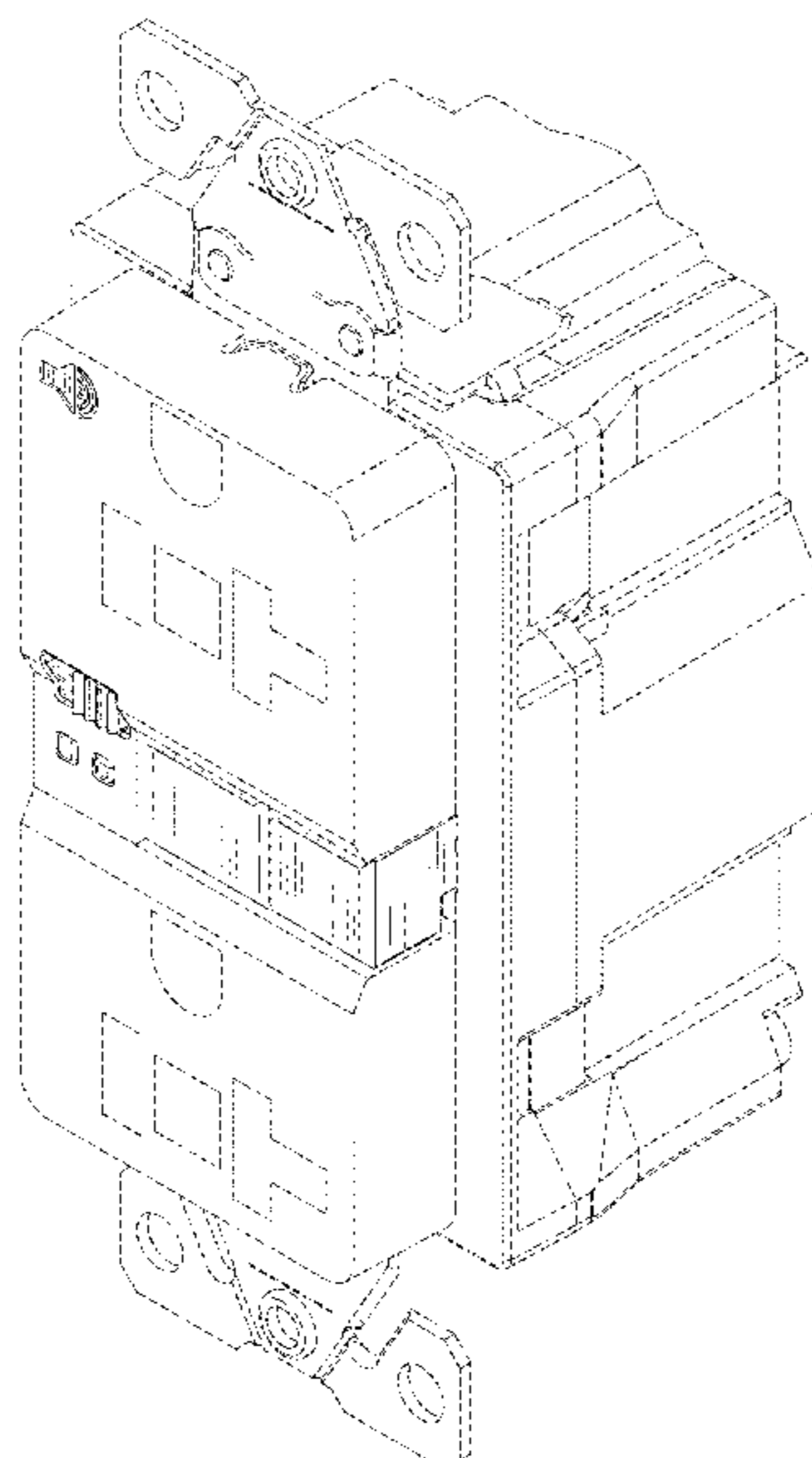
(57) **CLAIM**

The ornamental design for a circuit interrupter, as shown and described.

DESCRIPTION

FIG. 1 is an upper left perspective view of an embodiment of the circuit interrupter;
FIG. 2 is a front elevational view thereof;
FIG. 3 is a right side elevational view thereof;
FIG. 4 is a left side elevational view thereof;
FIG. 5 is a top plan view thereof;
FIG. 6 is a bottom plan view thereof; and,
FIG. 7 is a rear elevational view thereof.
In the drawings, the broken lines are for the purpose of illustrating environment only and form no part of the claimed design.

1 Claim, 6 Drawing Sheets



(56)

References Cited

U.S. PATENT DOCUMENTS

2008/0024942 A1* 1/2008 Gallas H01H 83/144
361/42
2008/0112099 A1* 5/2008 Li H01H 83/04
361/42

* cited by examiner

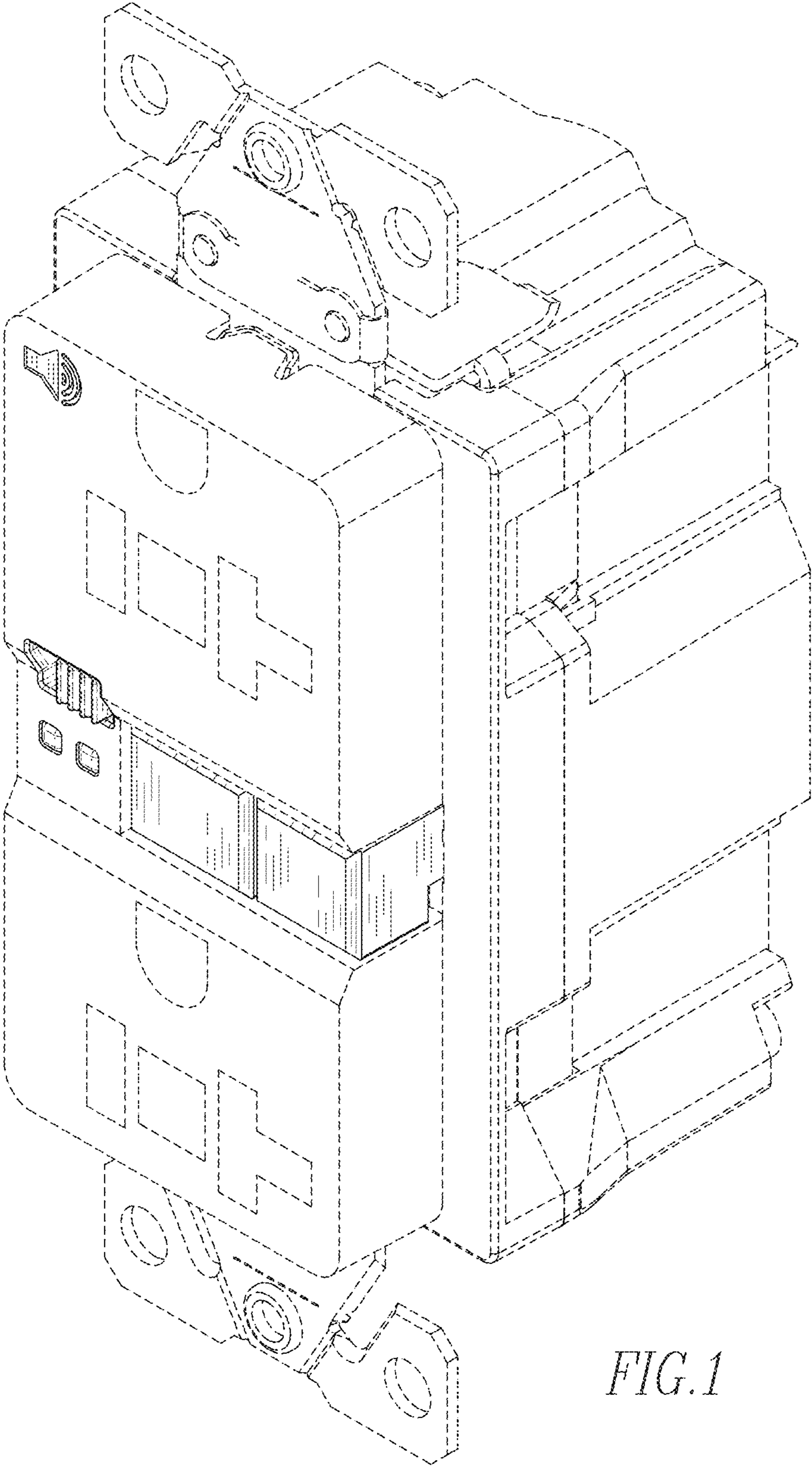


FIG.1

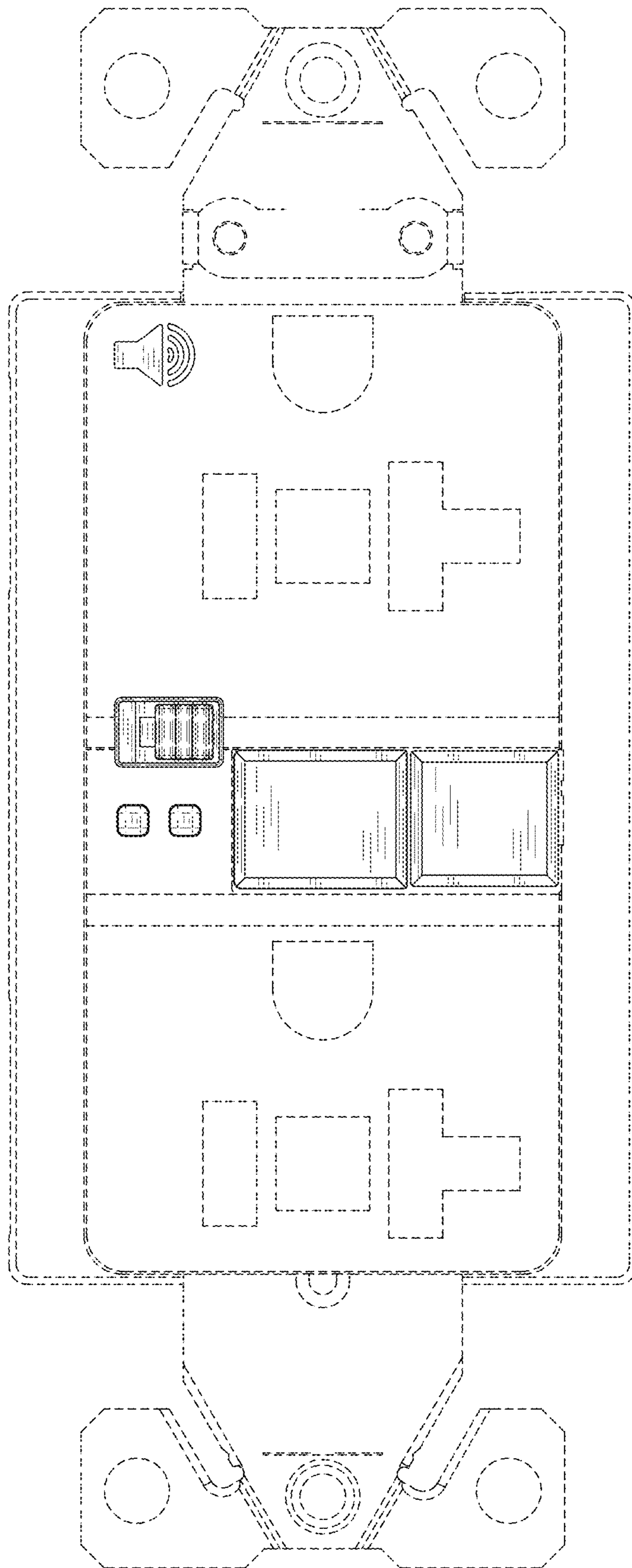


FIG. 2

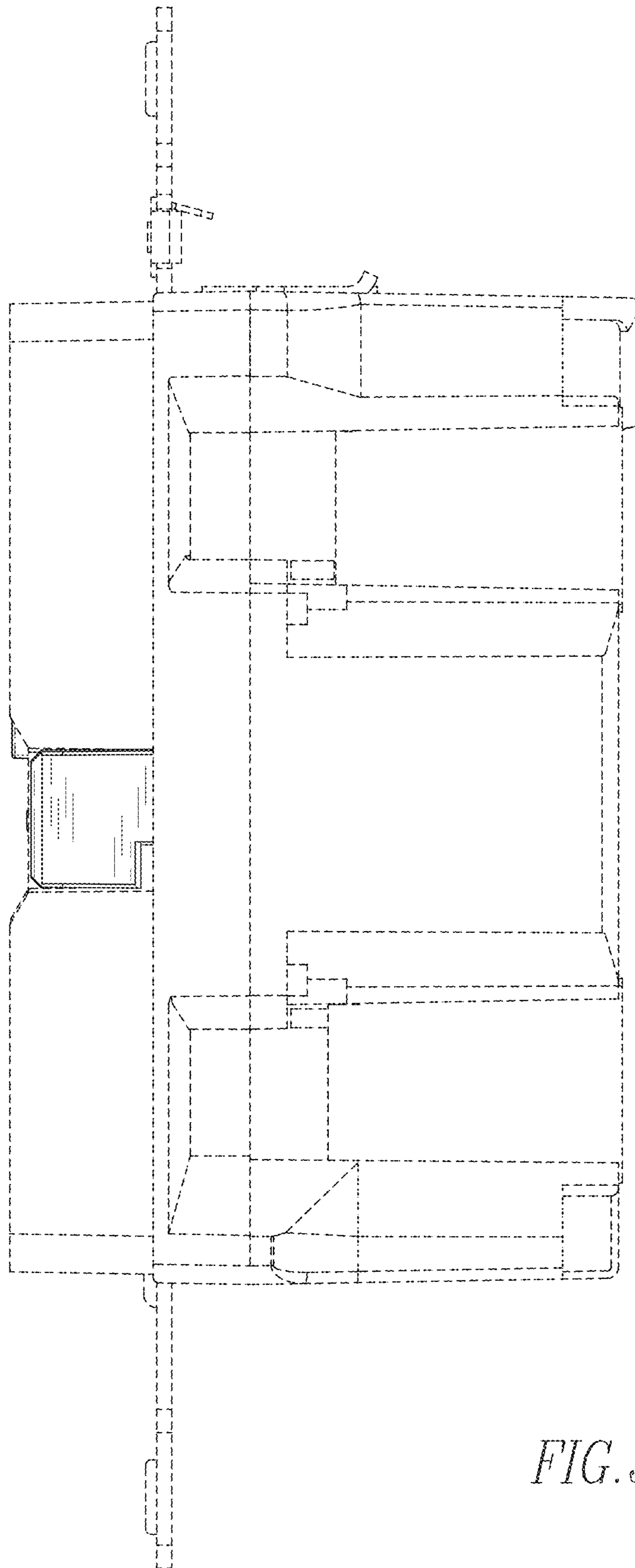


FIG. 3

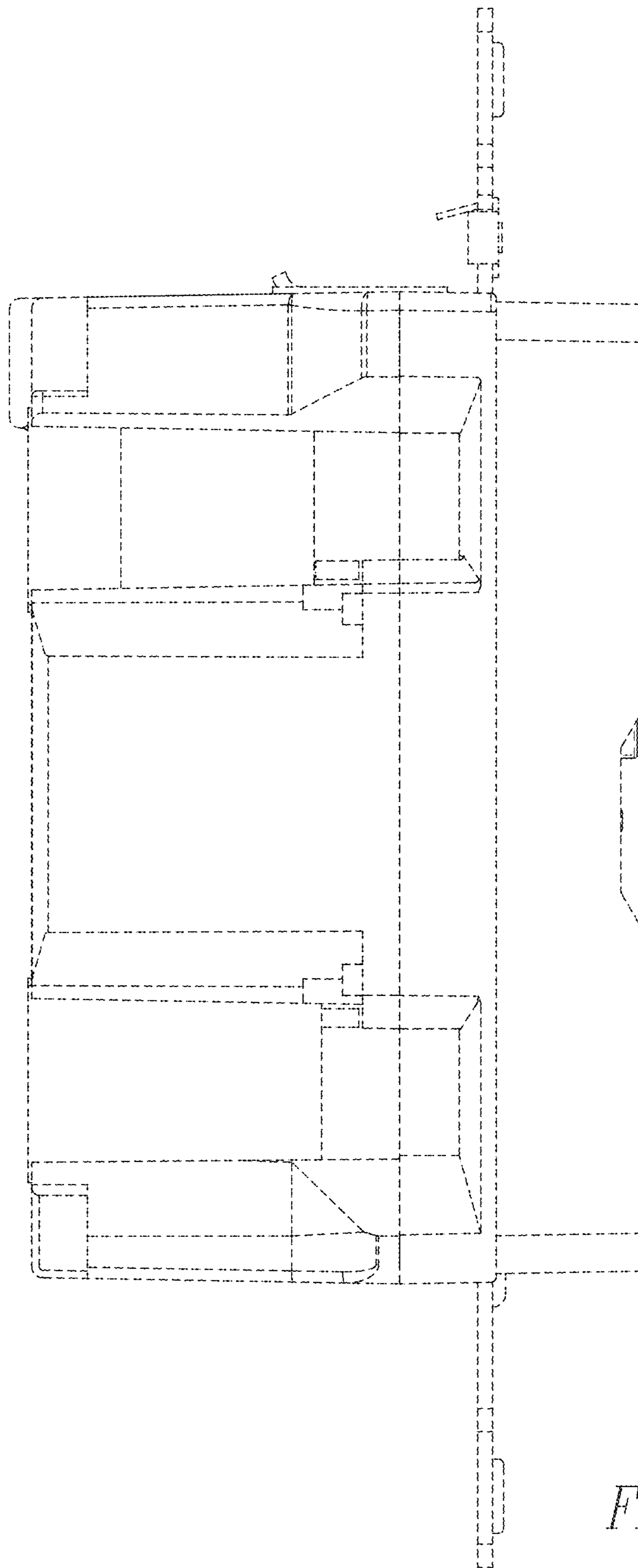


FIG. 4

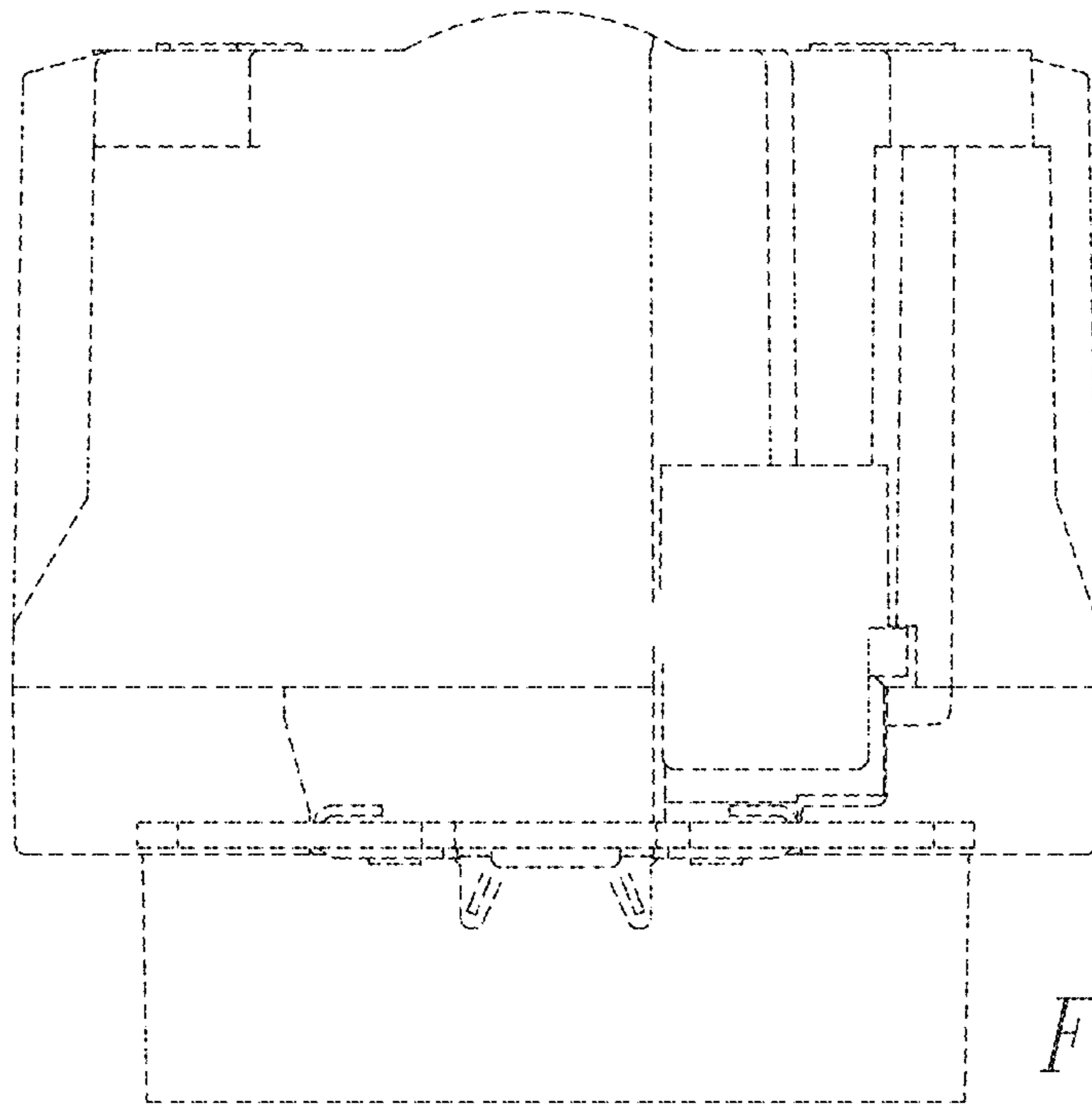


FIG. 5

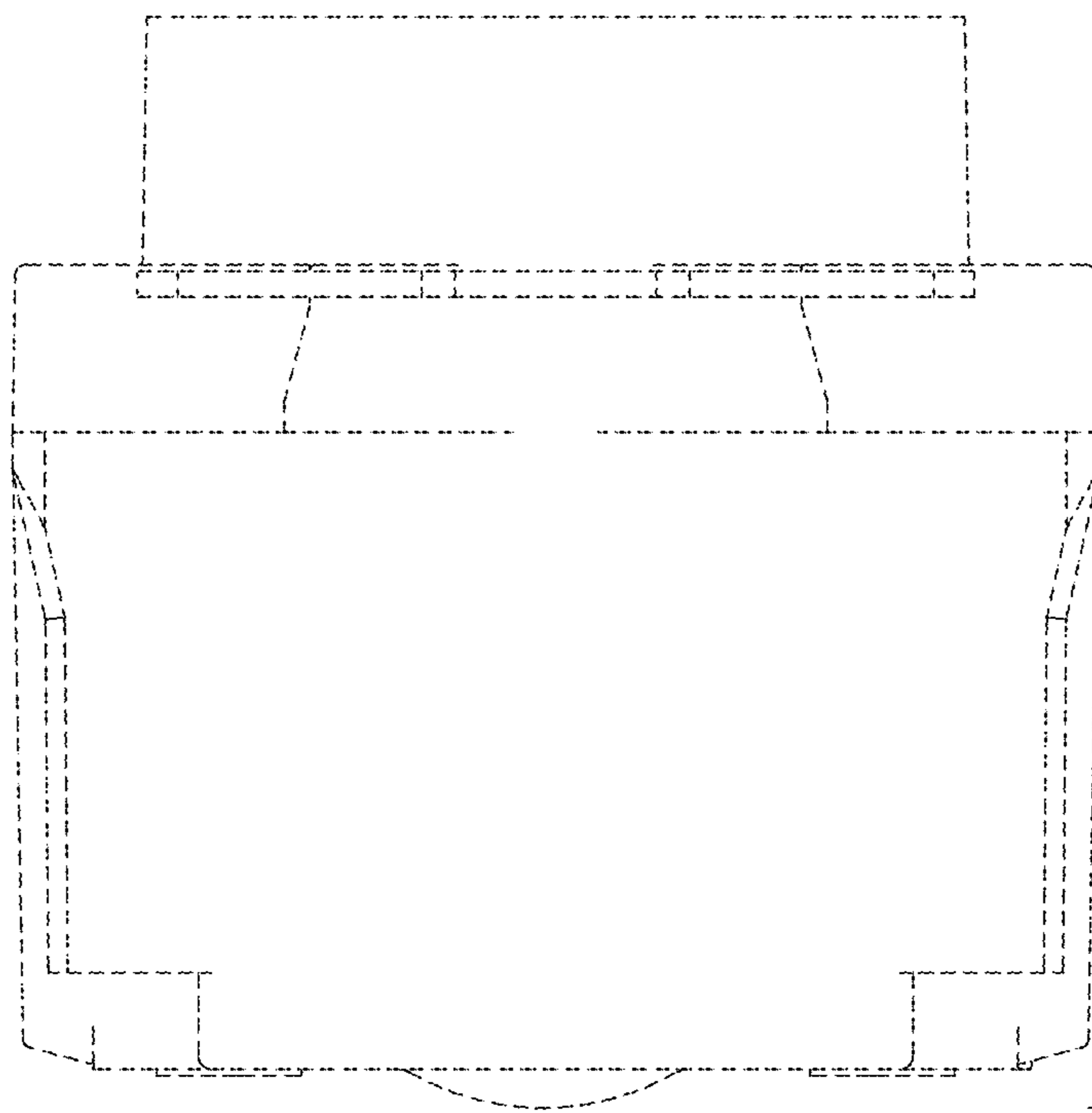


FIG. 6

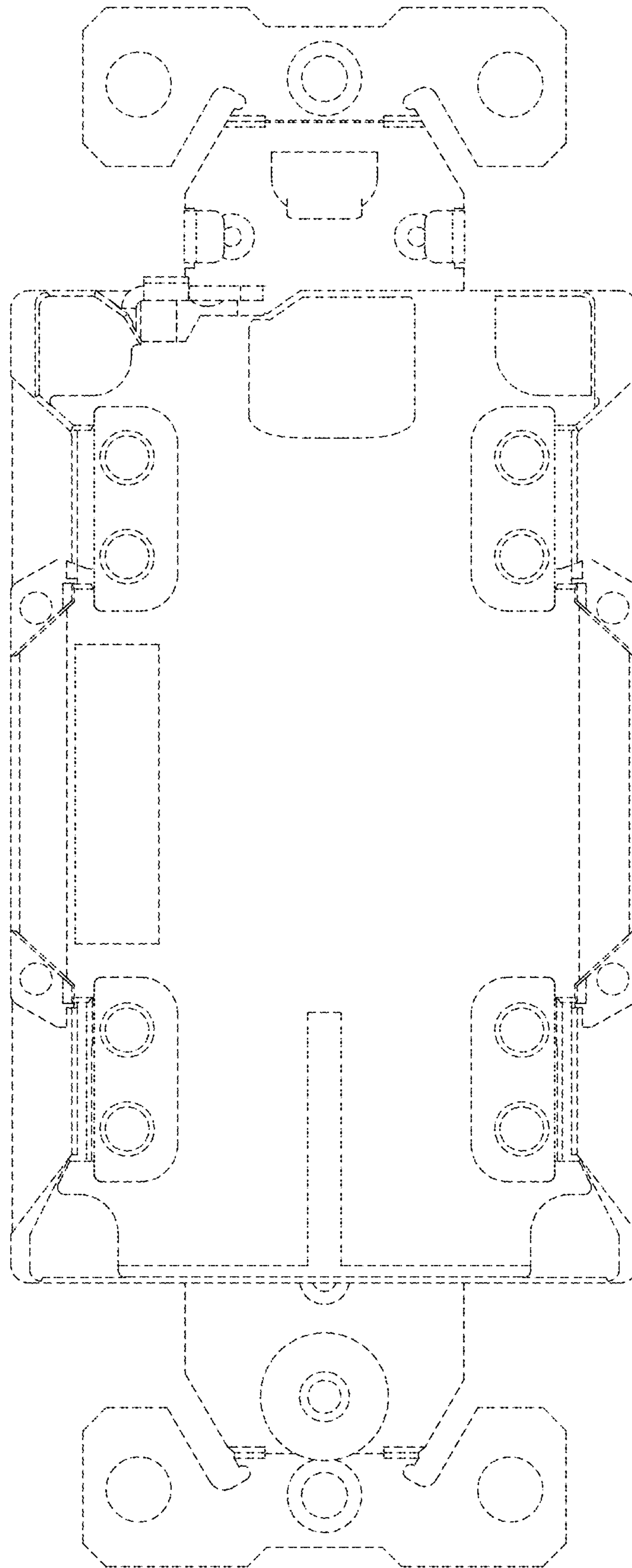


FIG. 7