



US00D778237S

(12) **United States Design Patent** (10) **Patent No.:** **US D778,237 S**
Medley et al. (45) **Date of Patent:** **** Feb. 7, 2017**

(54) **MECHANICAL PLUG**

(71) Applicants: **Mark Medley**, L.A., CA (US); **Jeff Millar-Sax**, Yucaipa, CA (US); **Gerry Bateman**, Pinehurst, FL (US); **Cynthia Marvel**, Clearwater, FL (US); **Meng Choo Loh**, Los Angeles, CA (US)

(72) Inventors: **Mark Medley**, L.A., CA (US); **Jeff Millar-Sax**, Yucaipa, CA (US); **Gerry Bateman**, Pinehurst, FL (US); **Cynthia Marvel**, Clearwater, FL (US); **Meng Choo Loh**, Los Angeles, CA (US)

(73) Assignee: **Prime Wire & Cable, Inc.**, City of Industry, CA (US)

(**) Term: **14 Years**

(21) Appl. No.: **29/443,210**

(22) Filed: **Mar. 29, 2013**

Related U.S. Application Data

(63) Continuation of application No. 13/385,616, filed on Jan. 14, 2013, now abandoned.

(51) **LOC (10) Cl.** **13-03**

(52) **U.S. Cl.**
USPC **D13/137.2**

(58) **Field of Classification Search**
USPC D13/137.1-137.4, 138.2, 138.1,
D13/139.1-139, 160, 168; 307/141,
307/141.4; 200/33 R, 38 R, 38 F, 38 A;
D10/40

See application file for complete search history.

(56) **References Cited**

U.S. PATENT DOCUMENTS

D352,472 S * 11/1994 Chen D10/40
D534,087 S * 12/2006 Stekelenburg D10/40

(Continued)

Primary Examiner — Holly Baynham

Assistant Examiner — Rhea Shields

(74) *Attorney, Agent, or Firm* — Buche & Associates, P.C.; John K. Buche

(57) **CLAIM**

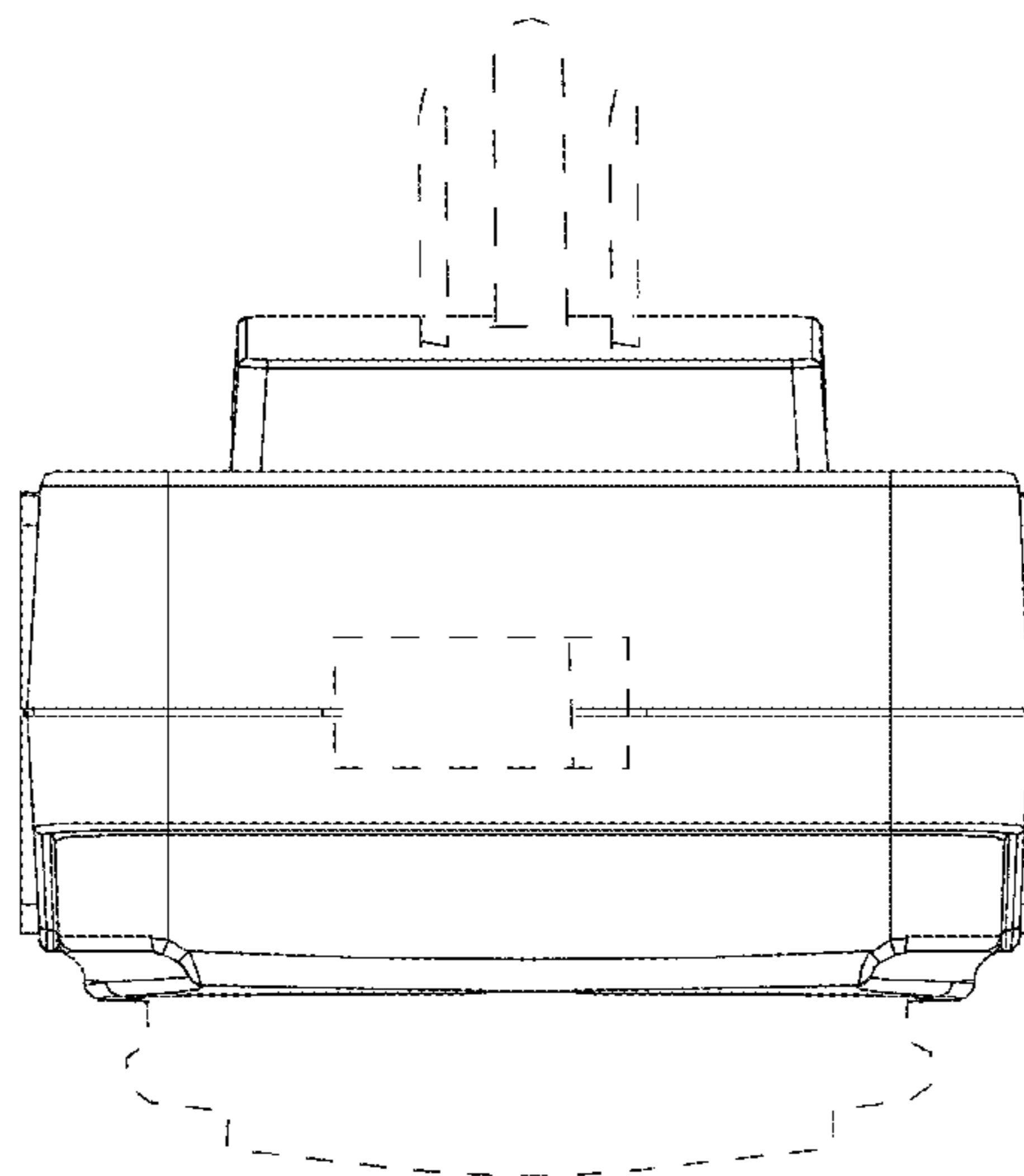
We claim the ornamental design of a mechanical plug, as shown and described.

DESCRIPTION

This application claims priority to U.S. patent application Ser. No. 13/385,616, filed Jan 14, 2013.

FIG. 1 is a top view of the mechanical plug.
FIG. 2 is a back view of the mechanical plug.
FIG. 3 is a front view of the mechanical plug.
FIG. 4 is a bottom view of the mechanical plug.
FIG. 5 is a left-side view of the mechanical plug.
FIG. 6 is a right-side view of the mechanical plug.
FIG. 7 is a top view of the mechanical plug.
FIG. 8 is a back view of the mechanical plug.
FIG. 9 is a front view of the mechanical plug.
FIG. 10 is a bottom view of the mechanical plug.
FIG. 11 is a left-side view of the mechanical plug.
FIG. 12 is a right-side view of the mechanical plug.
FIG. 13 is a bottom view of the mechanical plug.
FIG. 14 is a back view of the mechanical plug.
FIG. 15 is a front view of the mechanical plug.
FIG. 16 is a top view of the mechanical plug.
FIG. 17 is a left-side view of the mechanical plug; and,
FIG. 18 is a right-side view of the mechanical plug.
In FIGS. 1-6 the mechanical plug is shown with a break in its length. In the drawings, the broken lines depict unclaimed subject matter only and form no part of the claimed design.

1 Claim, 18 Drawing Sheets



(56)

References Cited

U.S. PATENT DOCUMENTS

D557,620 S * 12/2007 Stekelenburg D10/40
D565,434 S * 4/2008 Stekelenburg D10/40
D582,794 S * 12/2008 Stekelenburg D10/40
D582,795 S * 12/2008 Stekelenburg D10/40
D584,690 S * 1/2009 Hsiung D13/138.1
D620,816 S * 8/2010 Stekelenburg D10/40
D633,869 S * 3/2011 Aromin et al. D13/138.1
D664,931 S * 8/2012 Chang D13/168

* cited by examiner

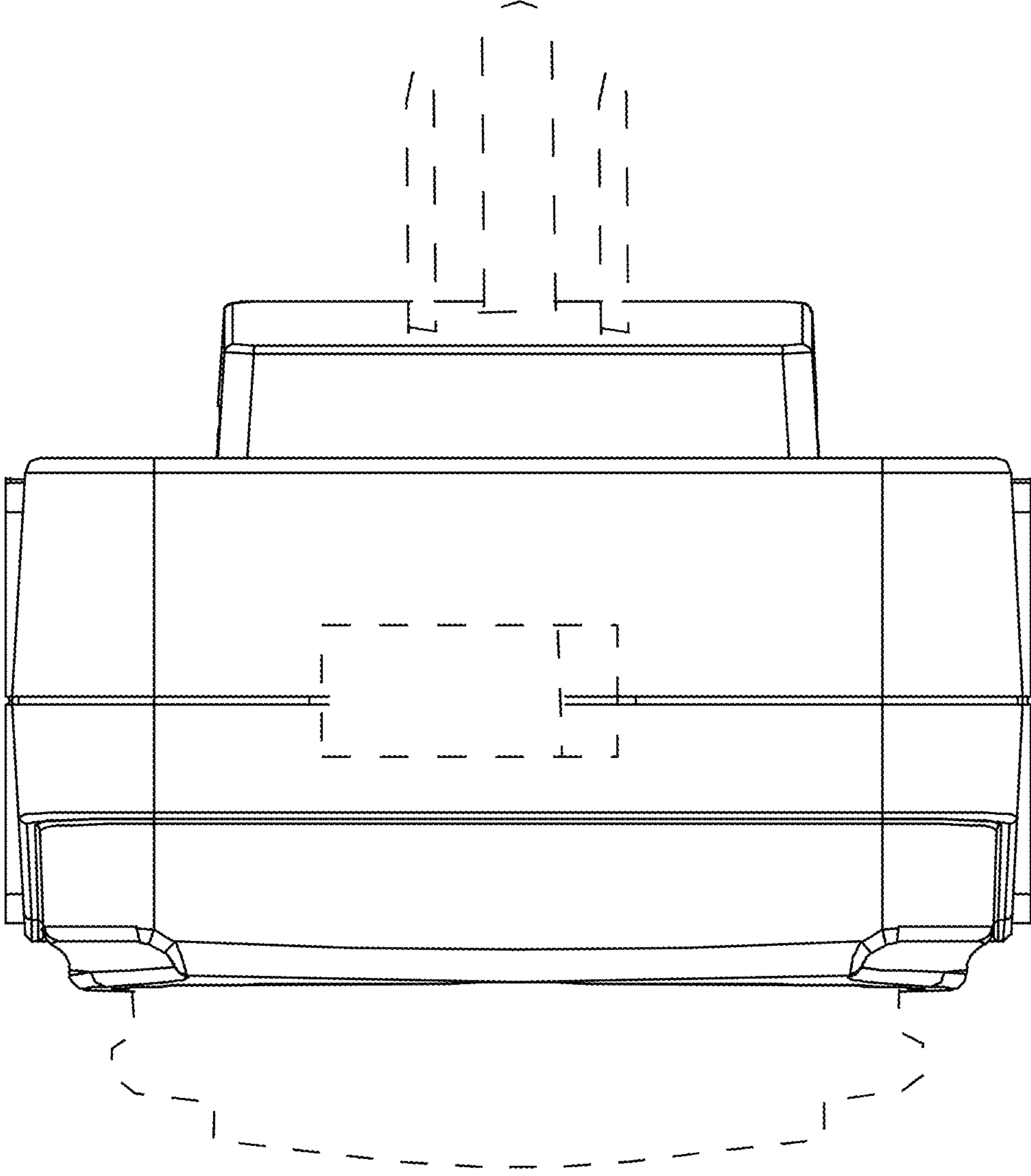


FIG. 1

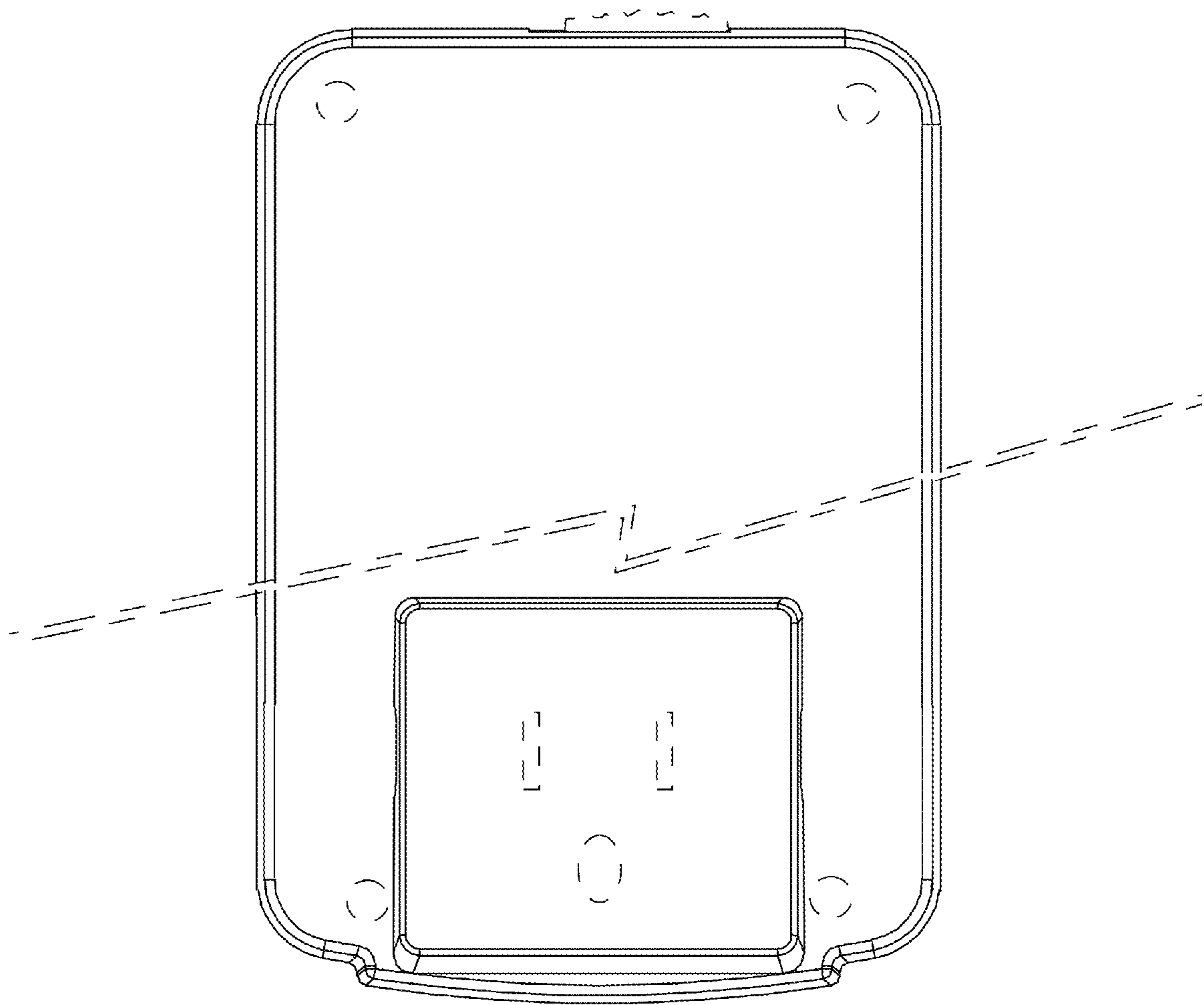


FIG. 2

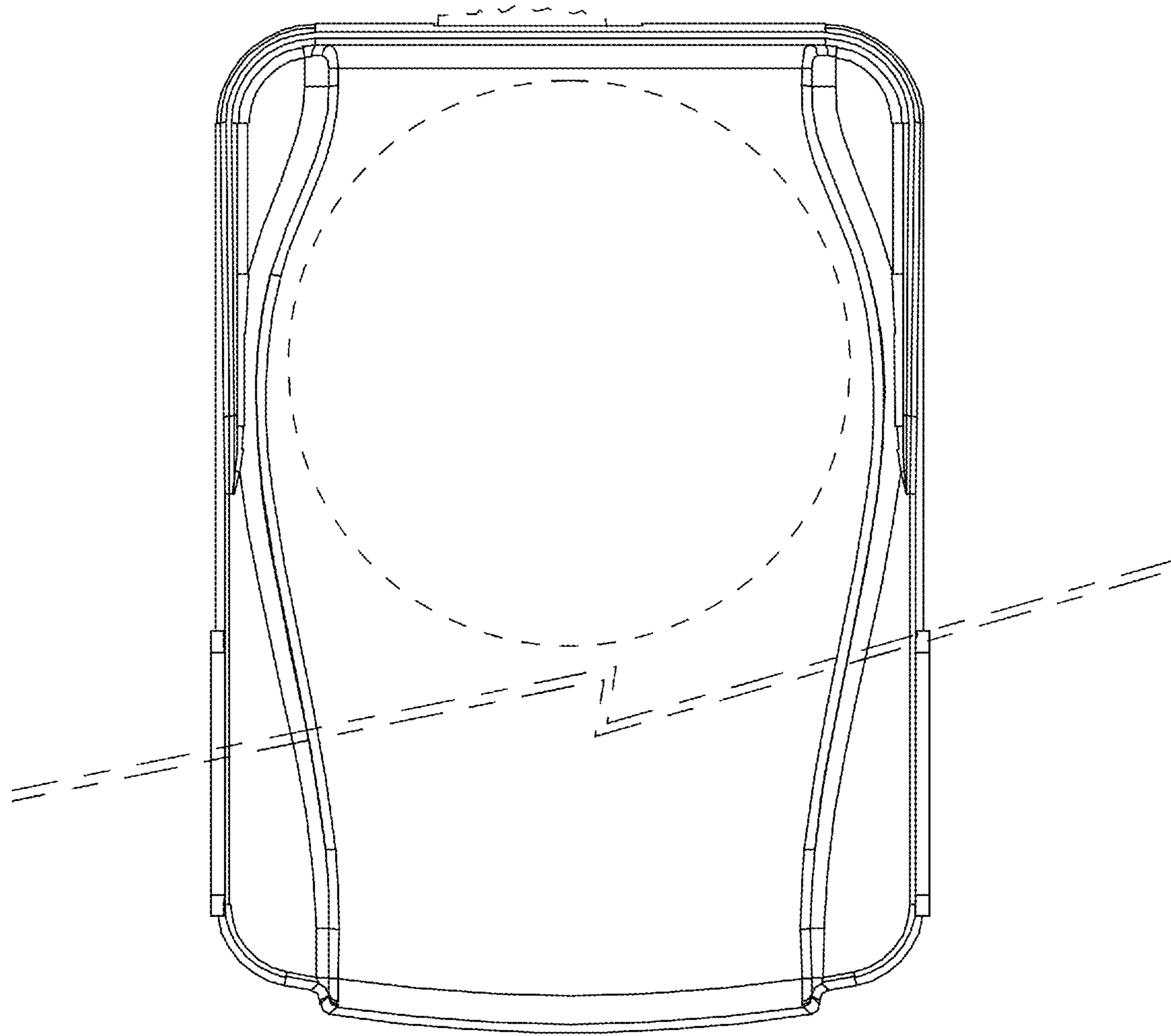


FIG. 3

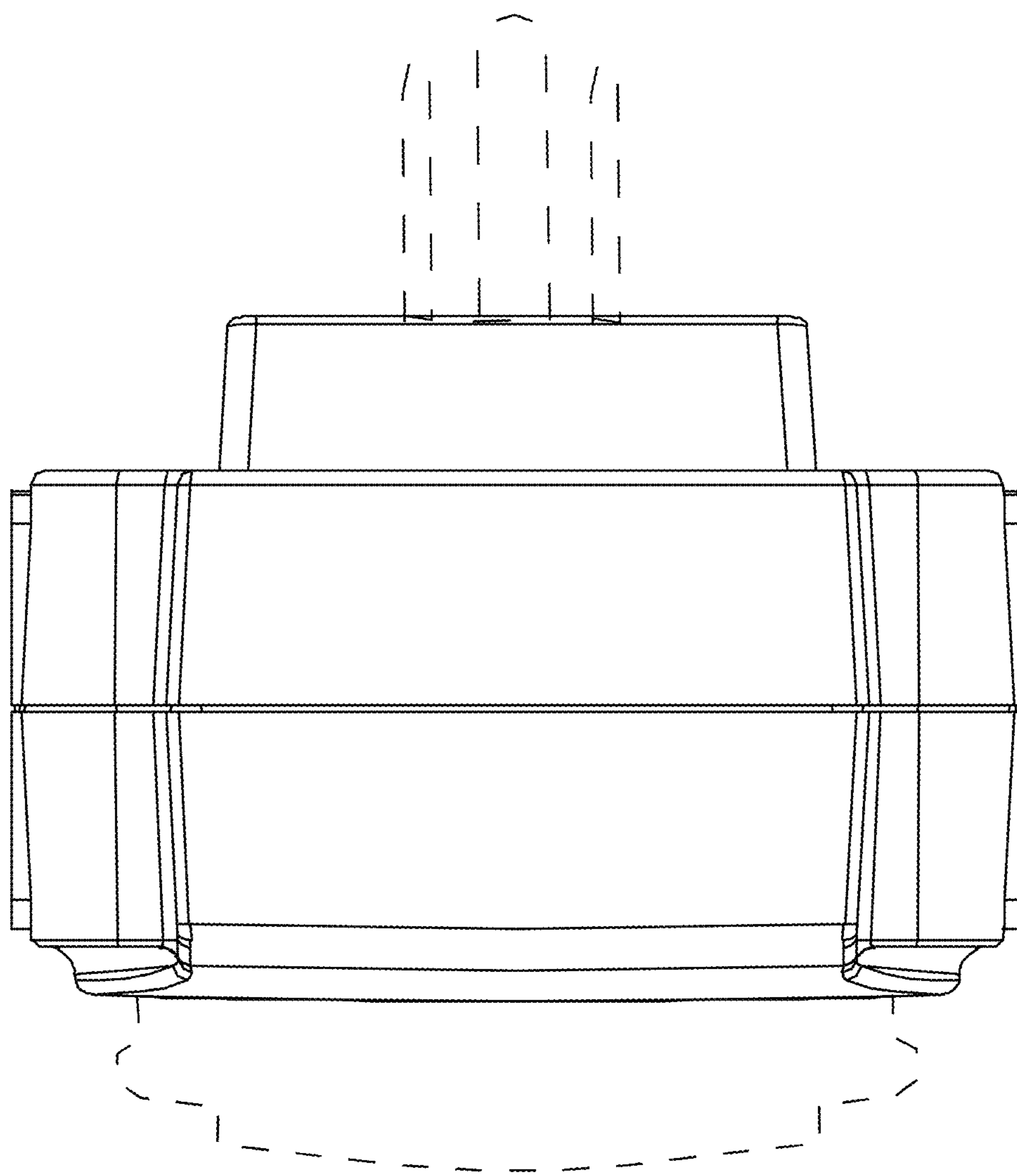


FIG. 4

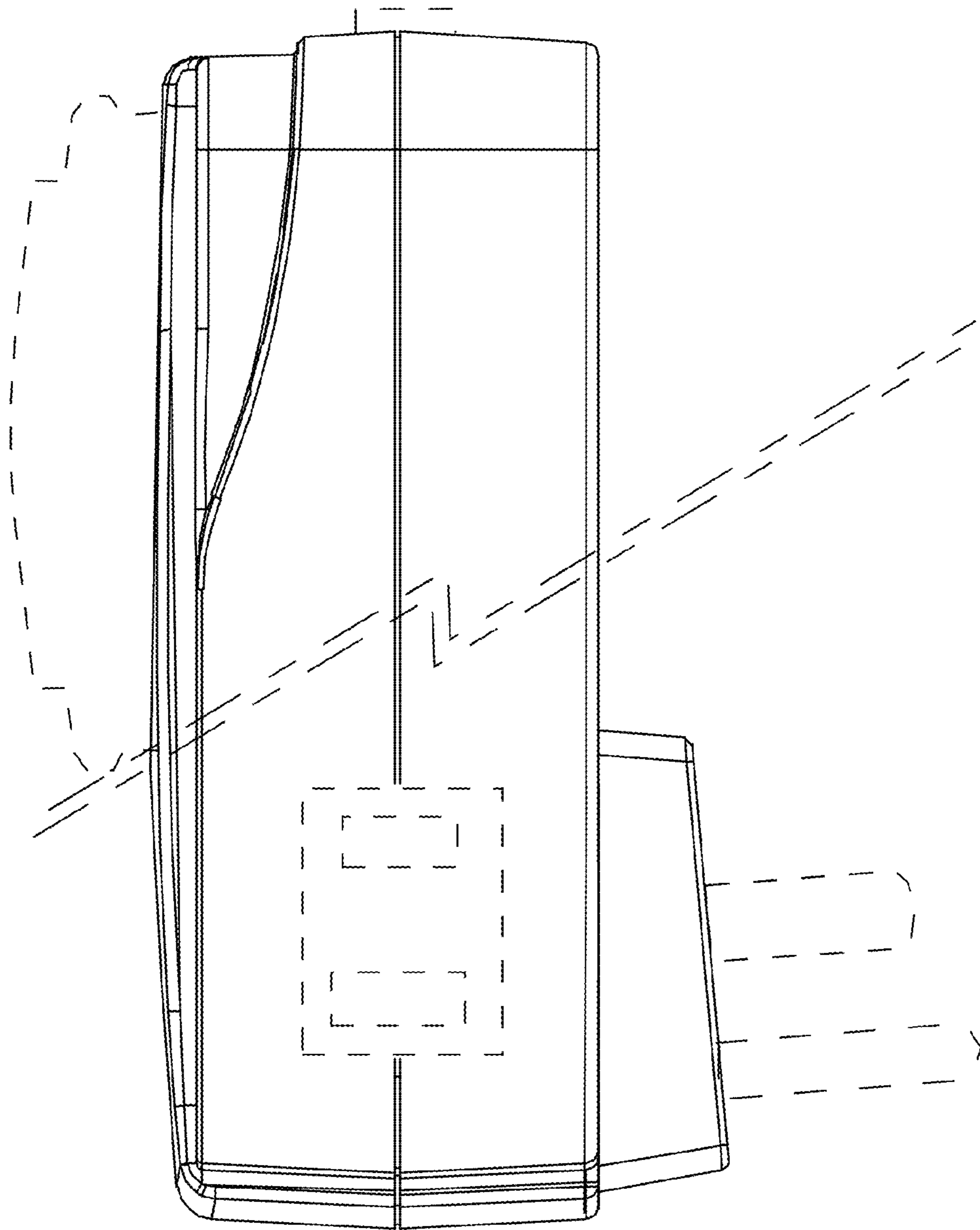


FIG. 5

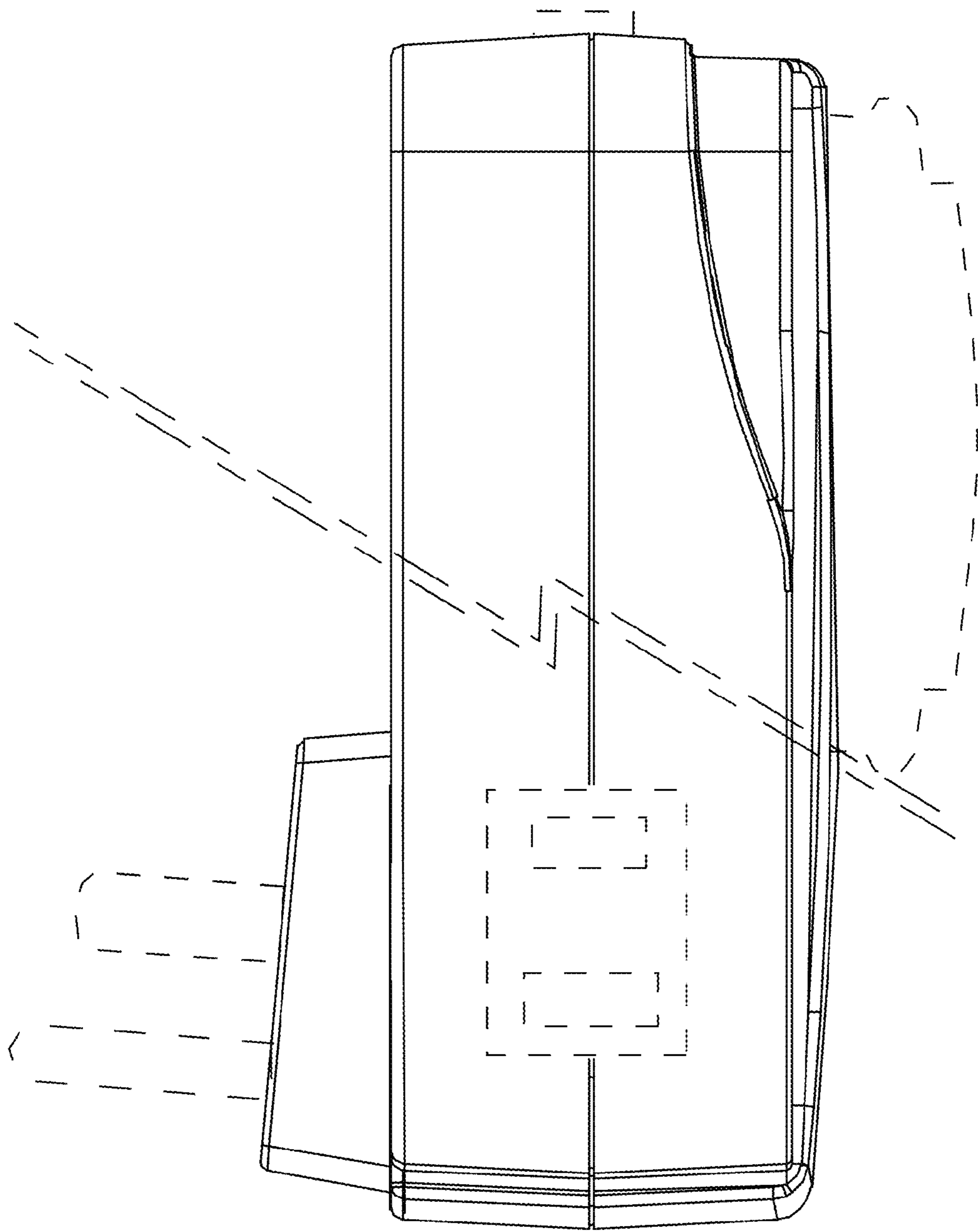


FIG. 6

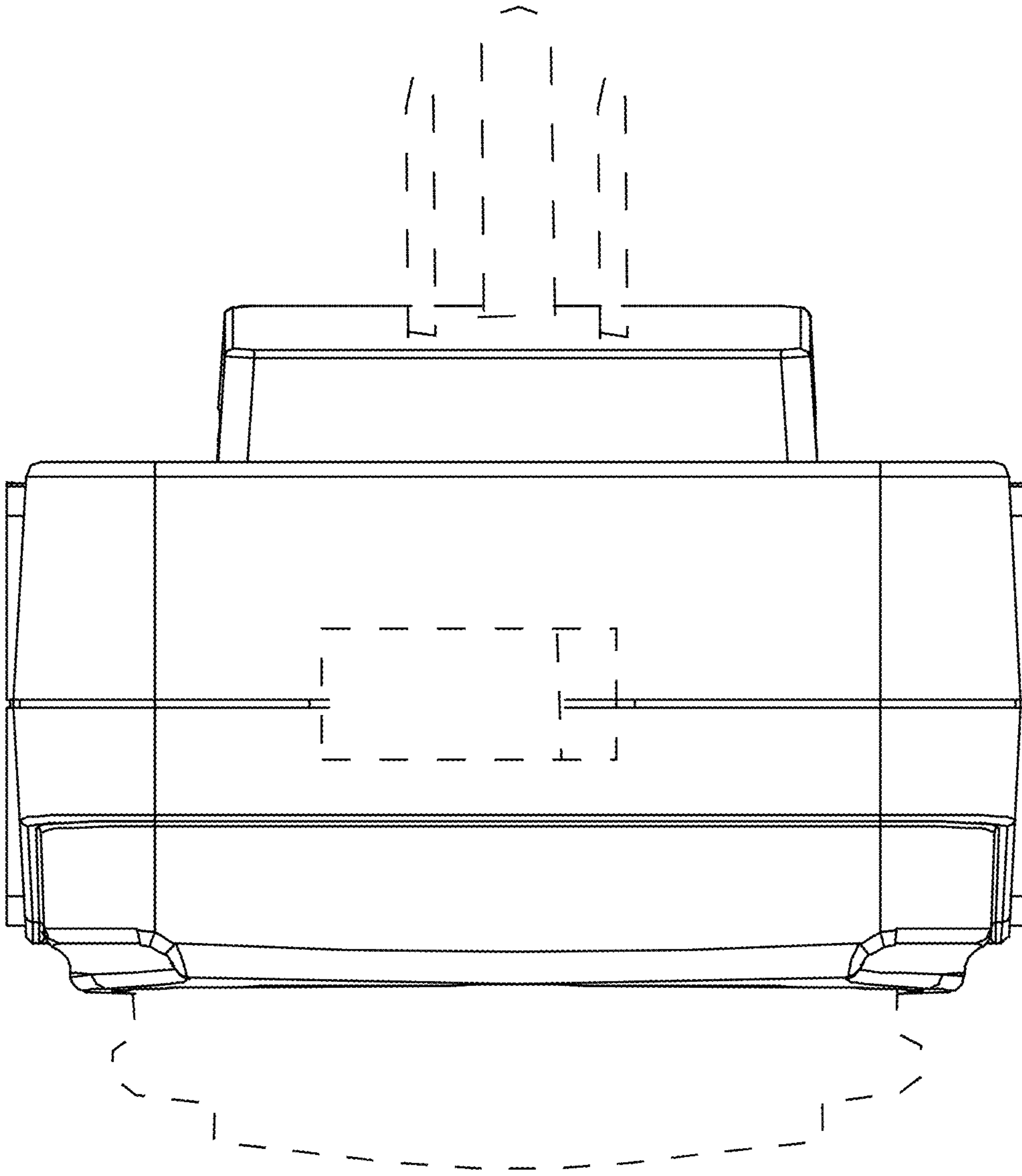


FIG. 7

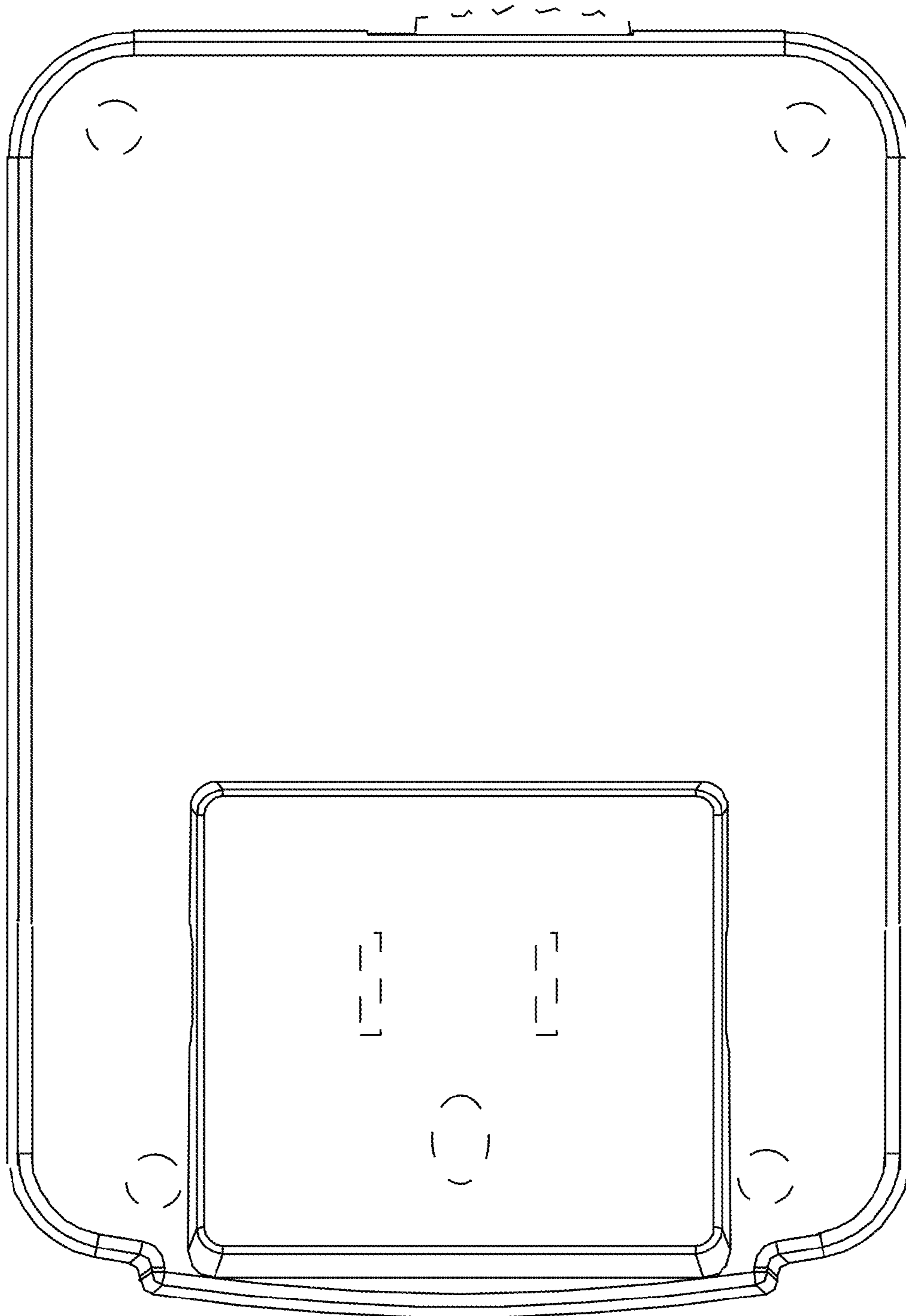


FIG. 8

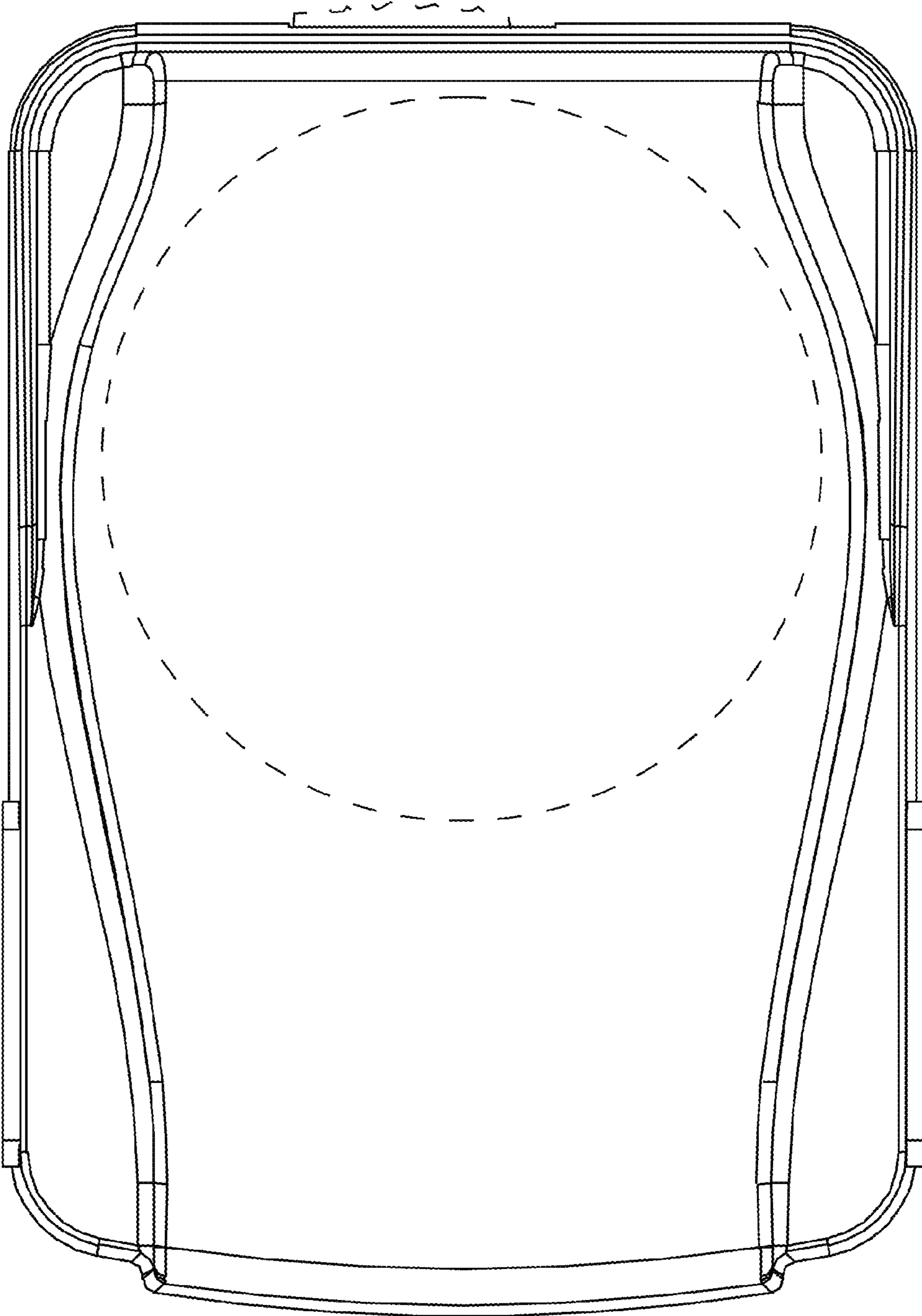


FIG. 9

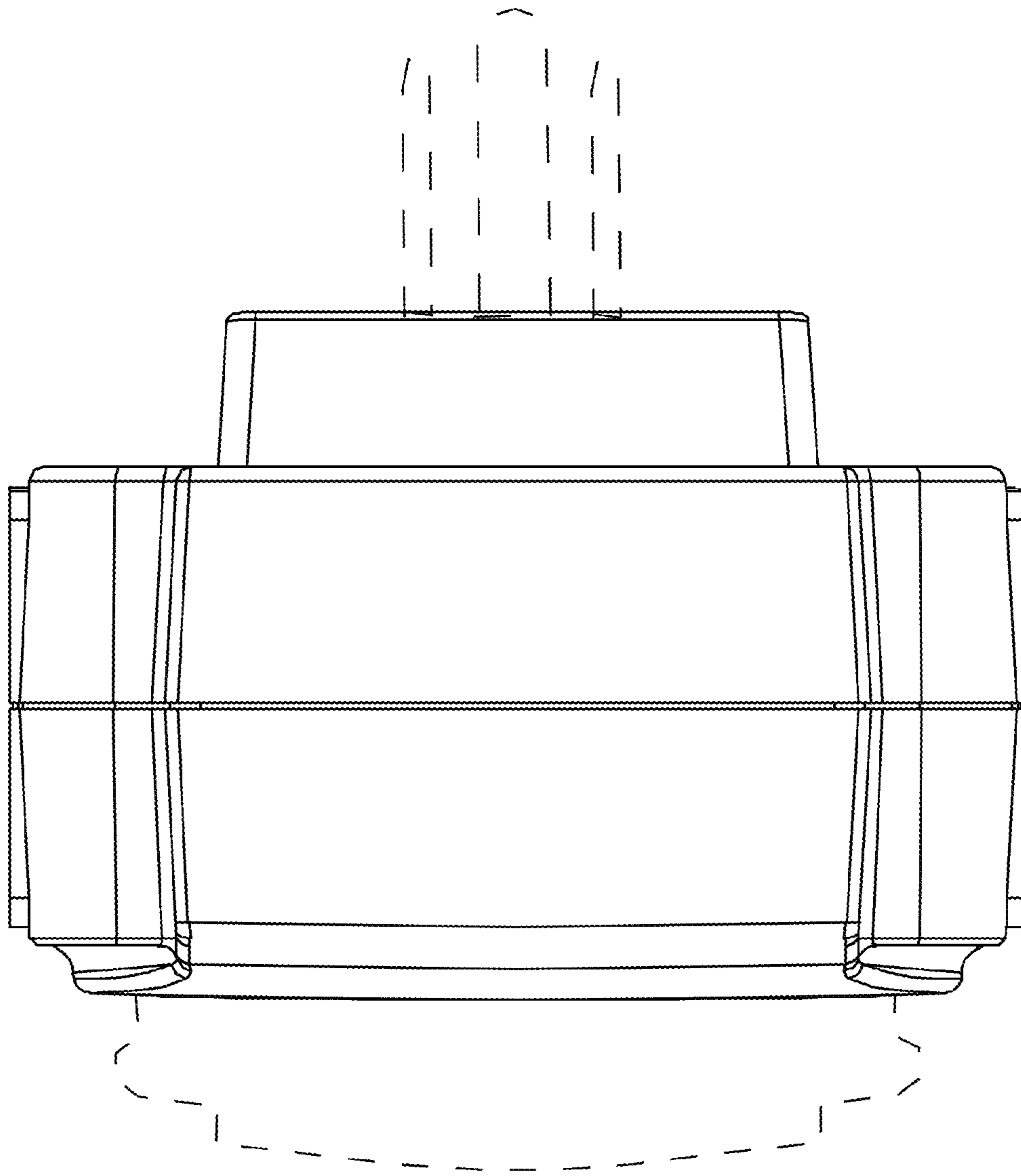


FIG. 10

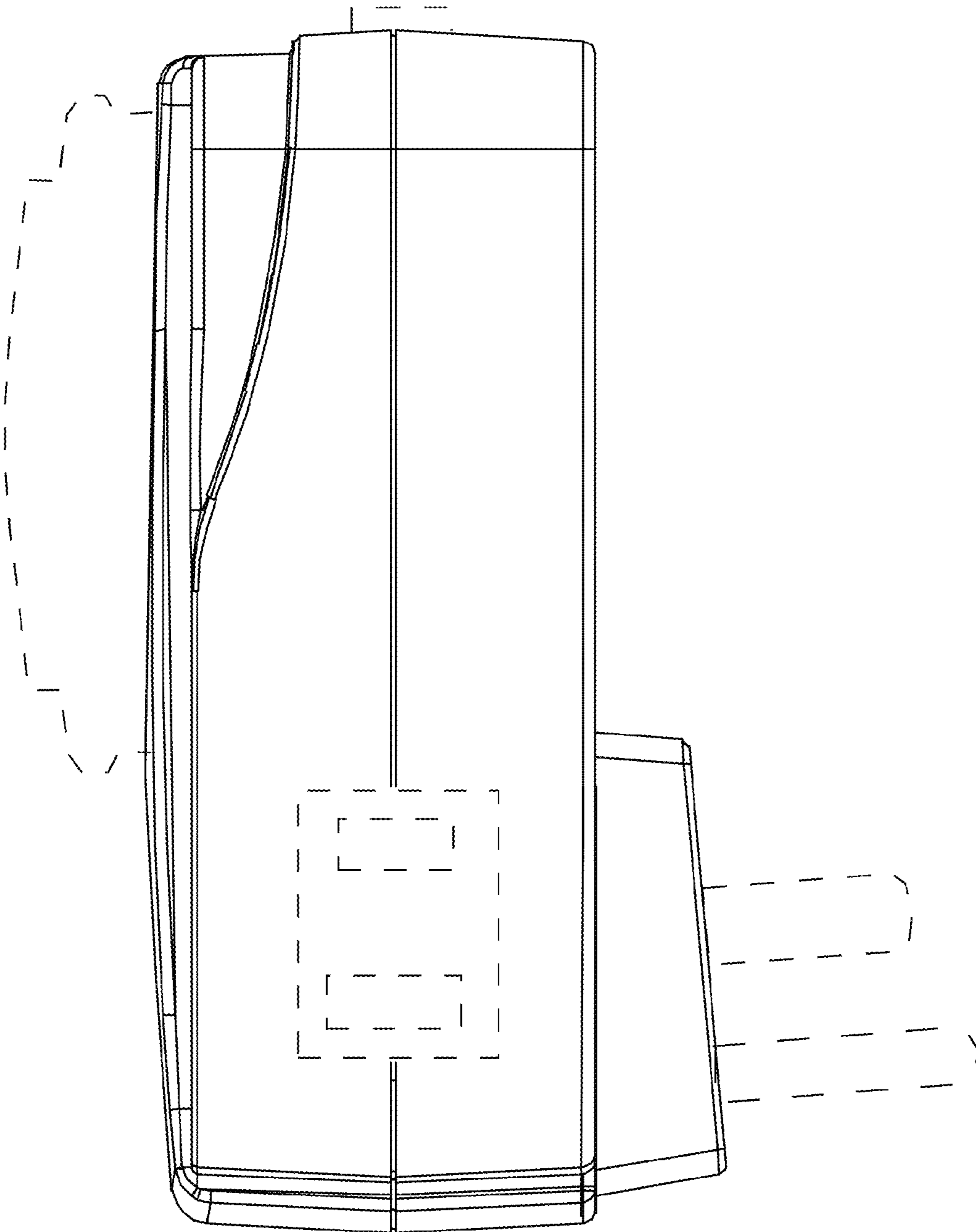


FIG. 11

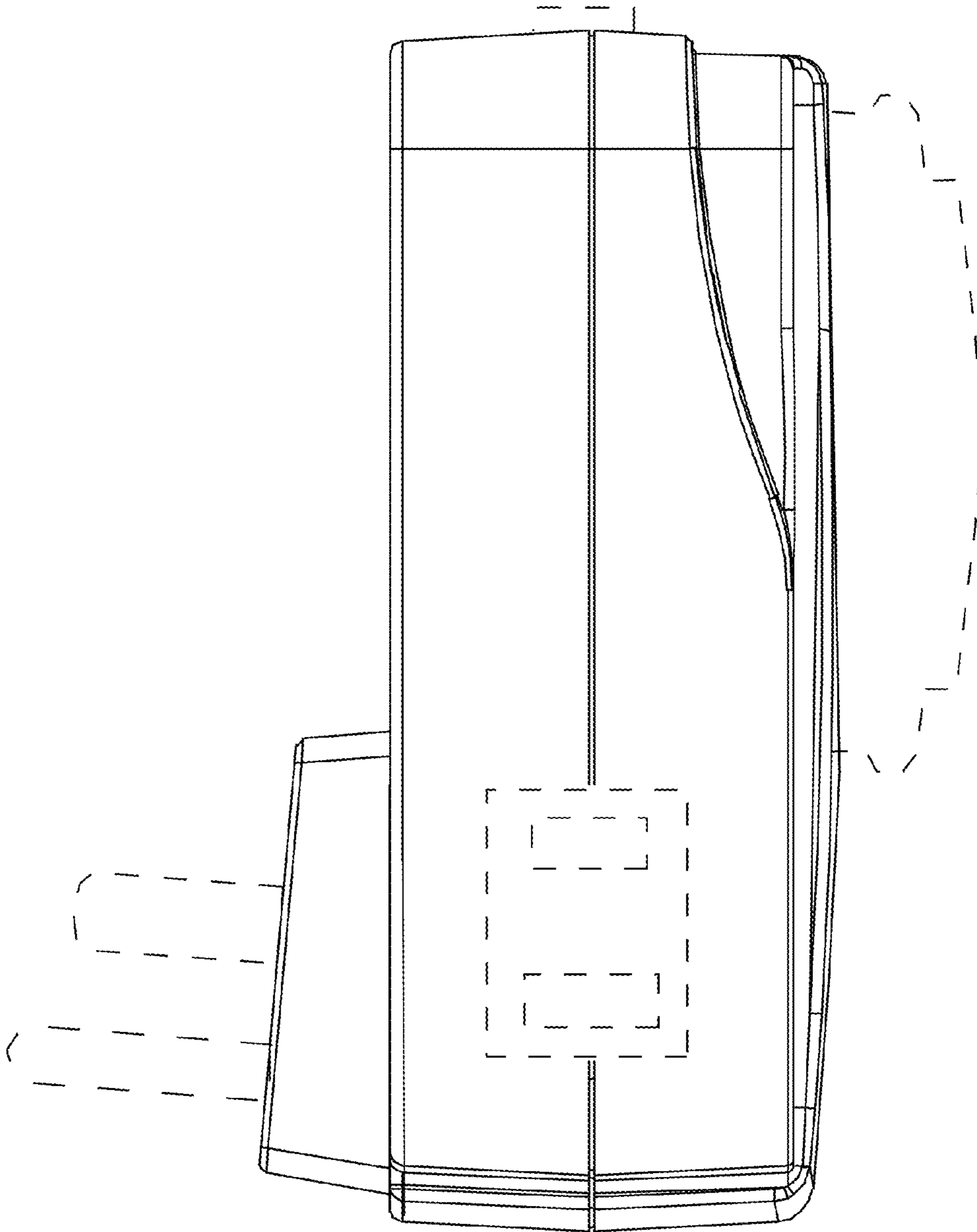


FIG. 12

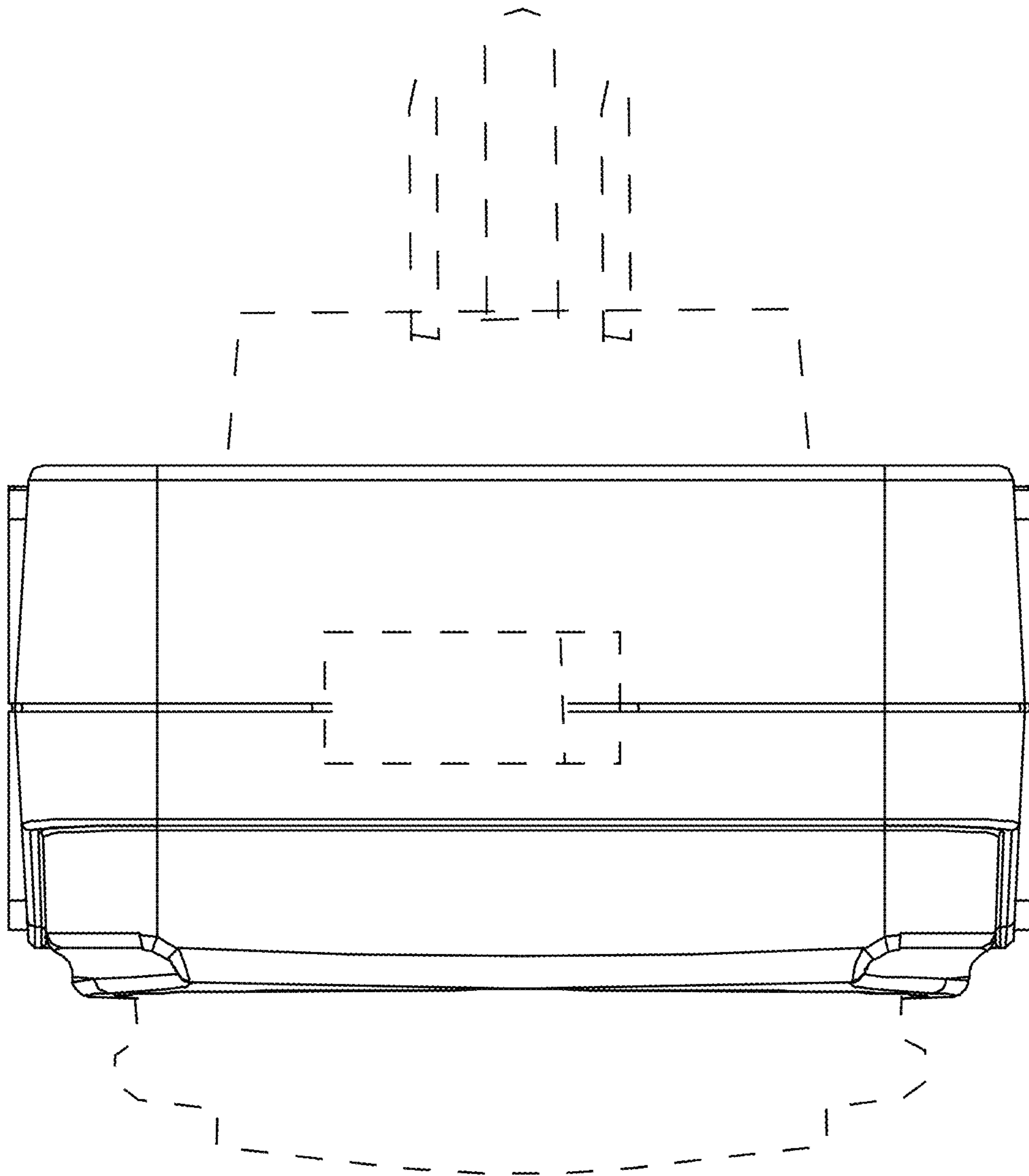


FIG. 13

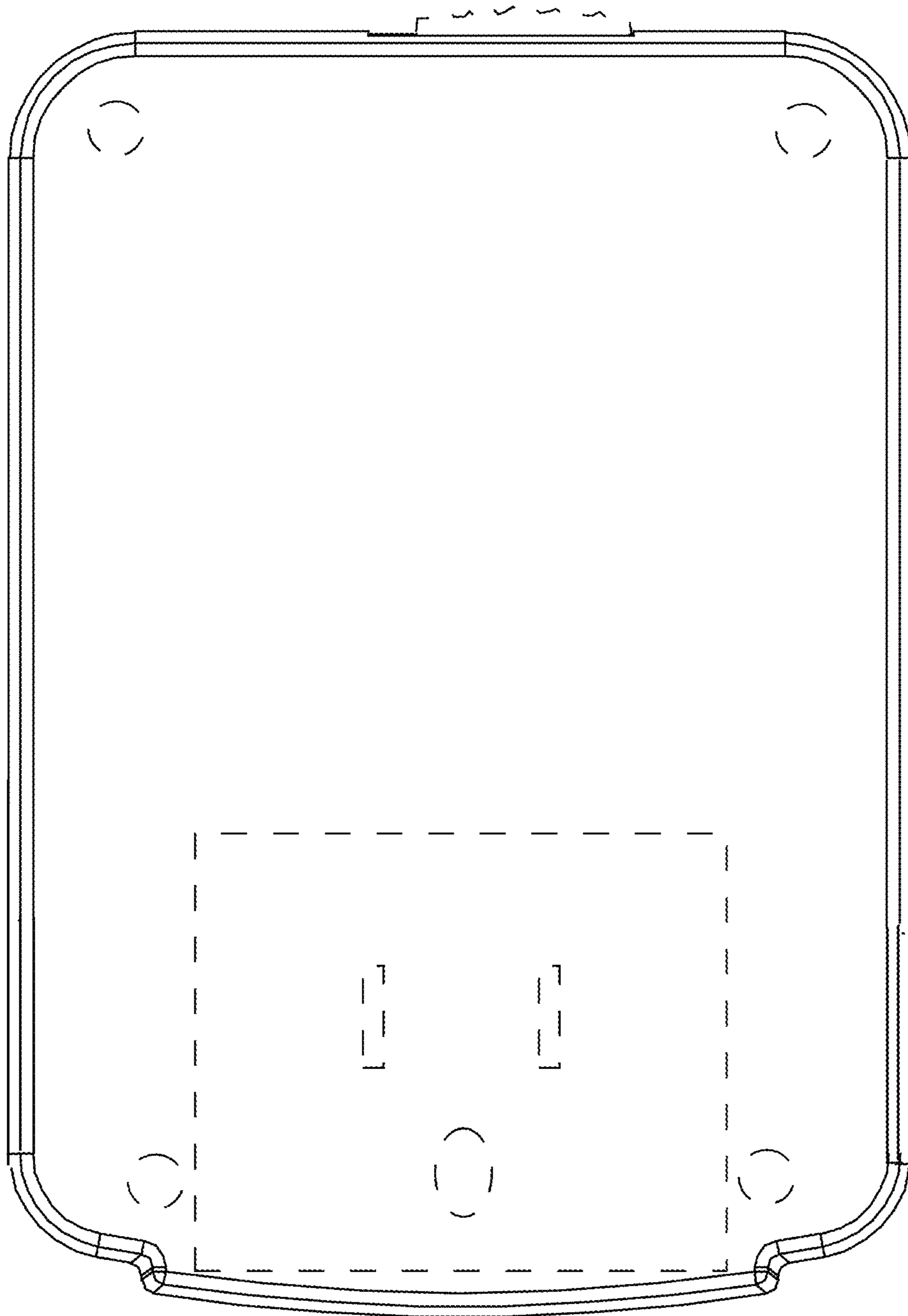


FIG. 14

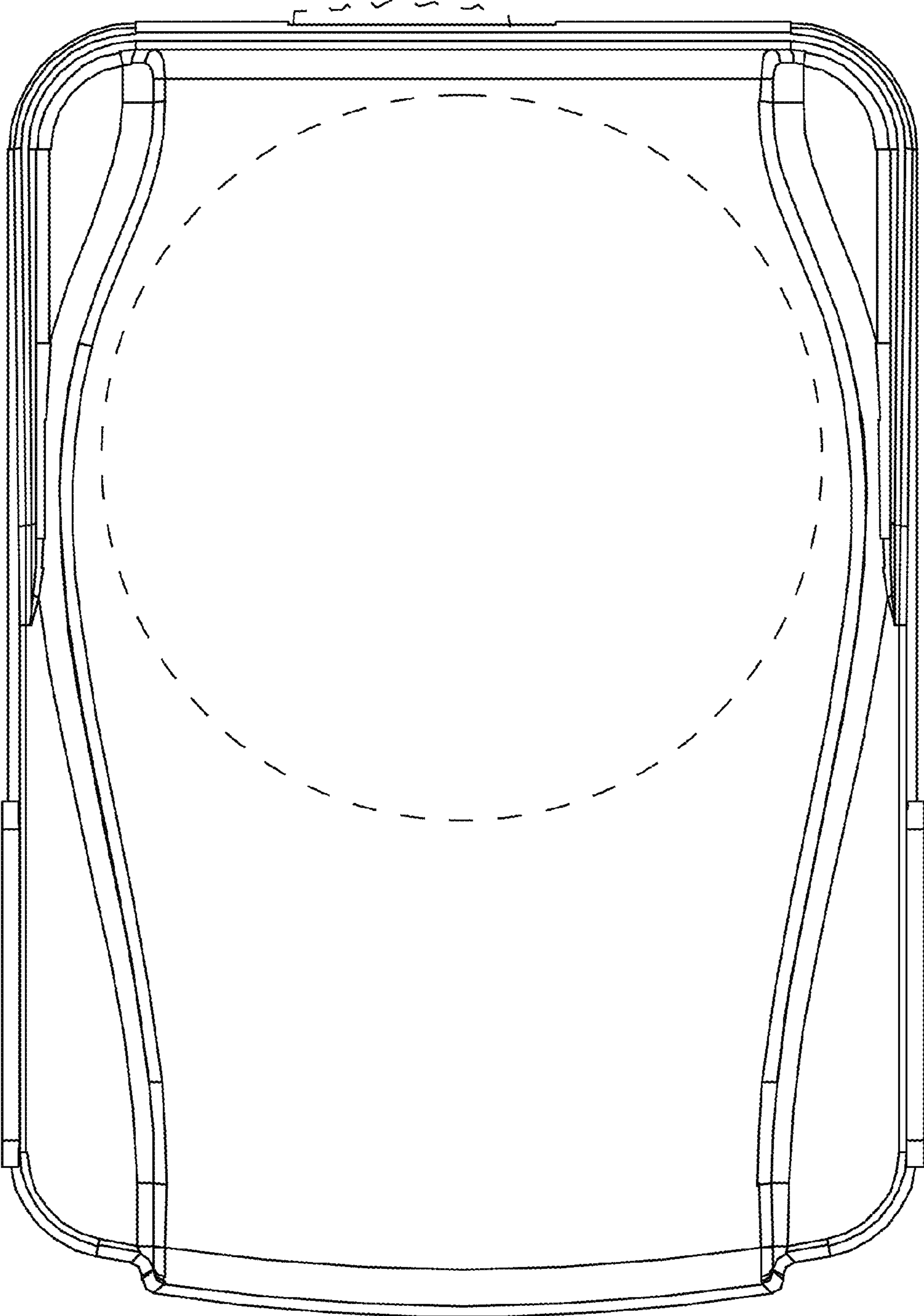


FIG. 15

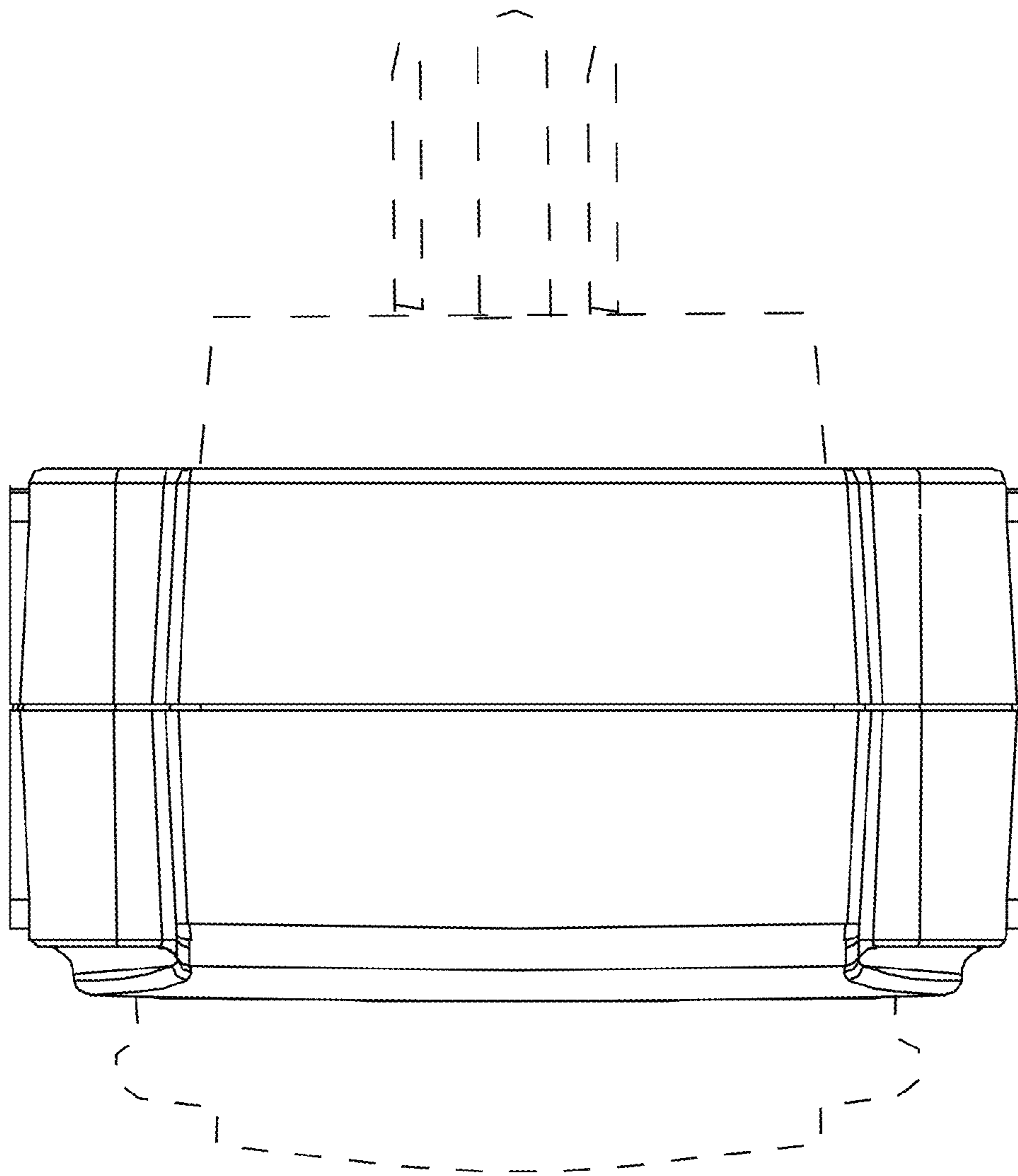


FIG. 16

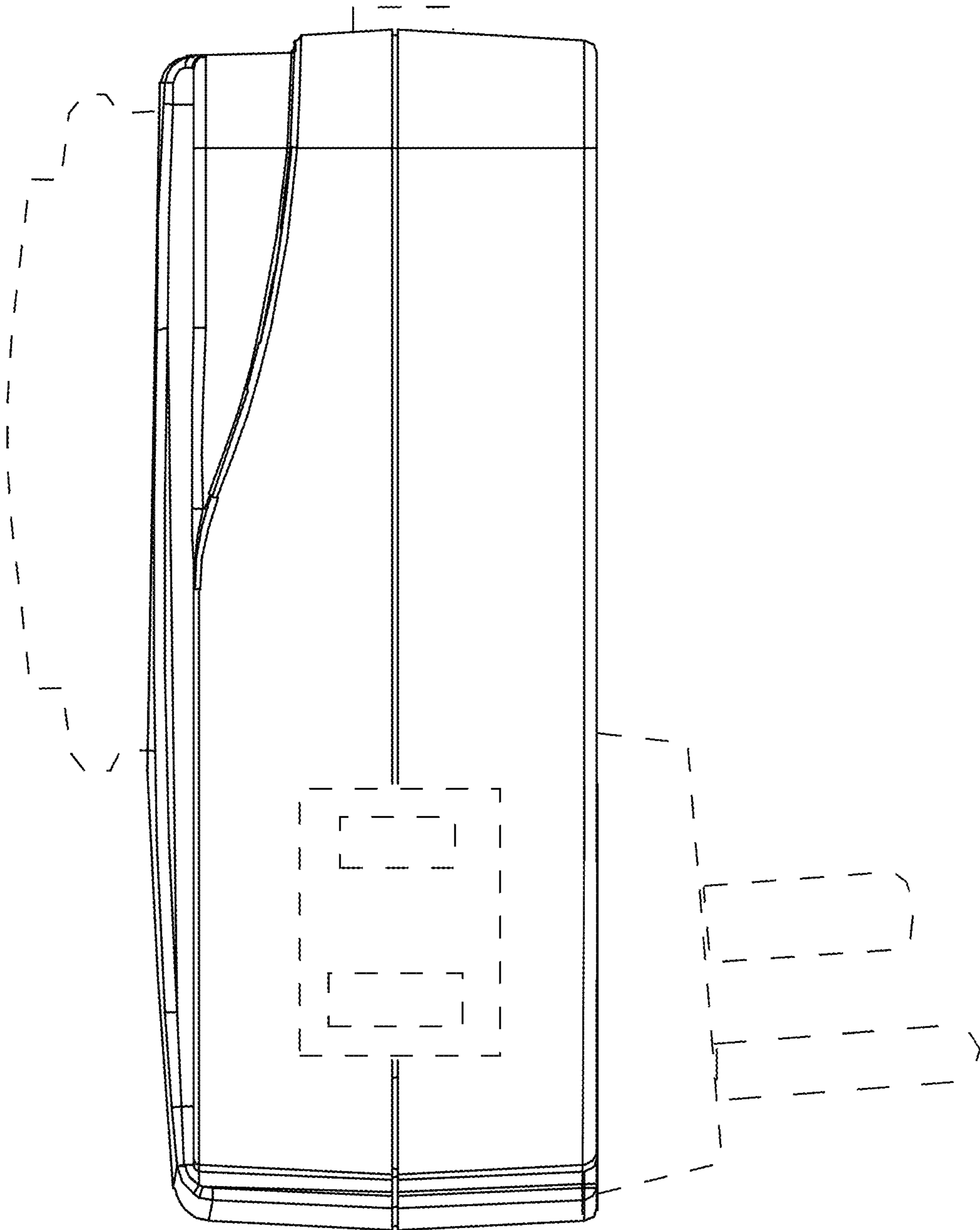


FIG. 17

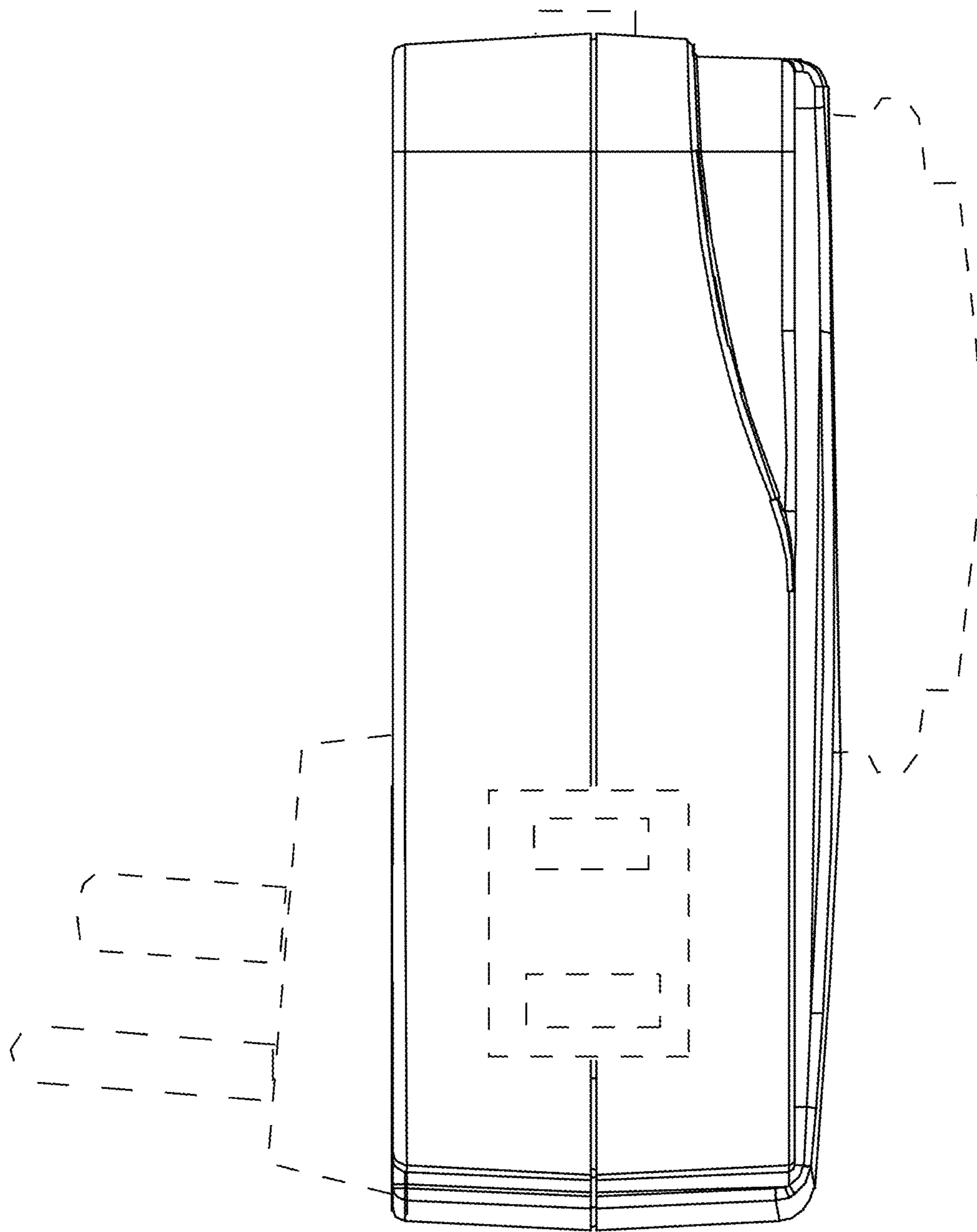


FIG. 18