



US00D778236S

(12) **United States Design Patent**
Broadhurst, IV et al.

(10) **Patent No.:** **US D778,236 S**
(45) **Date of Patent:** **** Feb. 7, 2017**

(54) **PORTABLE CHARGER**

(71) Applicant: **Battery-Biz, Inc.**, Camarillo, CA (US)

(72) Inventors: **Douglas S. Broadhurst, IV**, Thousand Oaks, CA (US); **Ernesto J. Rodriguez**, Simi Valley, CA (US)

(73) Assignee: **Battery-Biz, Inc.**, Camarillo, CA (US)

(**) Term: **15 Years**

(21) Appl. No.: **29/550,613**

(22) Filed: **Jan. 5, 2016**

(51) **LOC (10) Cl.** **13-02**

(52) **U.S. Cl.**
USPC **D13/107**

(58) **Field of Classification Search**
USPC D13/103, 107-110, 118-119, 184, 199;
D14/251, 253, 432, 434, 356; 320/103,
320/107-115, 135, 138, 140
CPC Y02E 60/12; H02J 7/025; H02J 7/0042;
H02J 7/0044; H02J 7/0045; H02J 7/0003;
H02J 7/02; H01F 38/14; H01R 13/6675;
H01M 2/1022; H01M 2/1055; H01M
10/44; H01M 10/46
See application file for complete search history.

(56) **References Cited**

U.S. PATENT DOCUMENTS

D472,800 S * 4/2003 Levanen D22/112
D603,336 S * 11/2009 Nan D13/119

D616,718 S * 6/2010 van der Lande D3/210
D660,177 S * 5/2012 Ferenc D22/112
D752,989 S * 4/2016 Shawishian D9/680

OTHER PUBLICATIONS

Web.Archive.Org: MyBuqu Power Banks. Retrieved from the internet at <<https://web.archive.org/web/20160504043248/http://www.mybuqu.com/Store/Category-Viewer/power-banks>>. Sep. 22, 2016. 2 pages.*

* cited by examiner

Primary Examiner — Rosemary K Tarcza

Assistant Examiner — Christy Nemeth

(74) *Attorney, Agent, or Firm* — Oppedahl Patent Law Firm LLC

(57) **CLAIM**

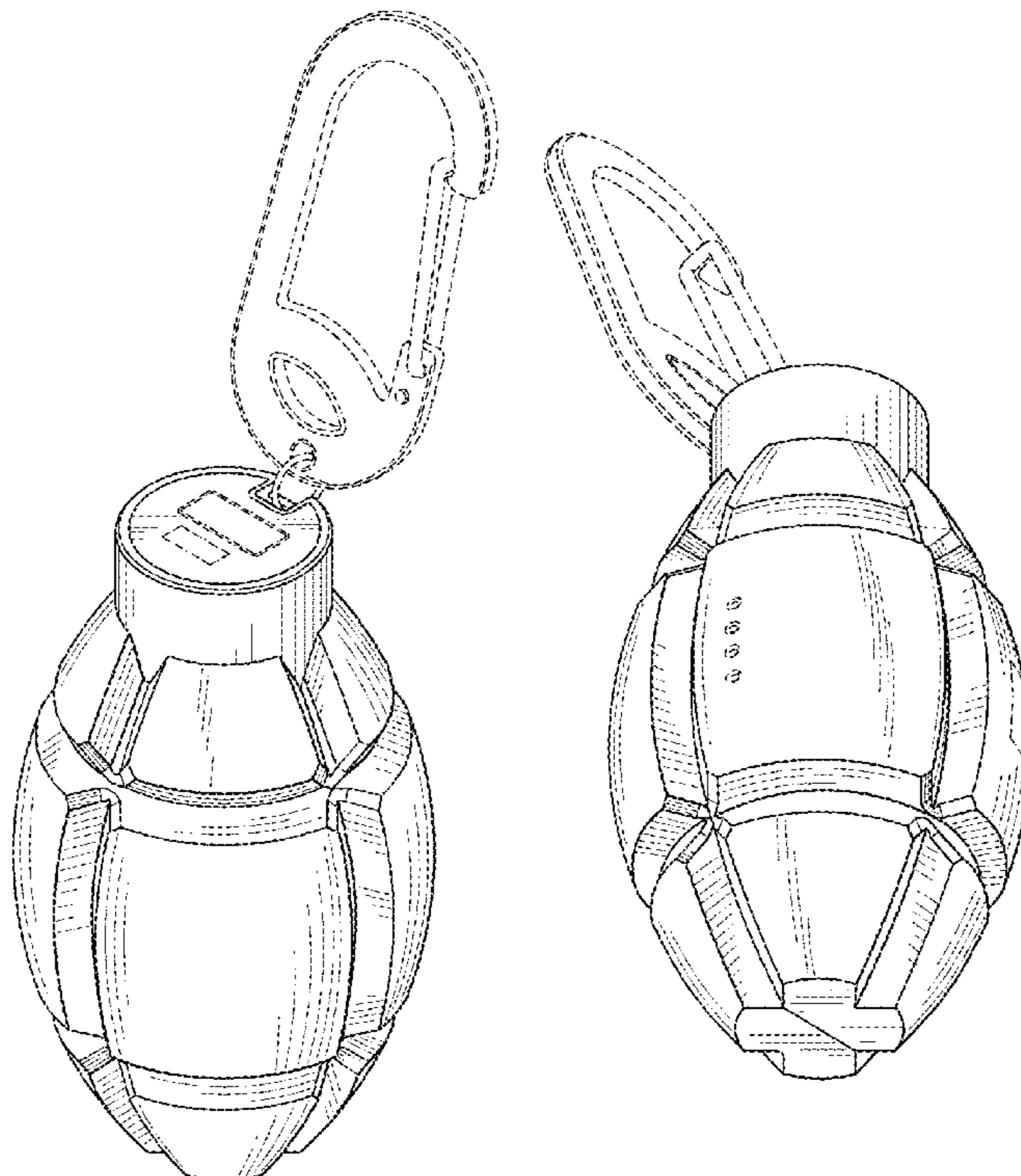
The ornamental design for a portable charger, as shown and described.

DESCRIPTION

FIG. 1 is a right side top perspective view of our new design for a portable charger;
FIG. 2 is a left side bottom perspective view of FIG. 1;
FIG. 3 is a top view of FIG. 1;
FIG. 4 is a bottom view of FIG. 1;
FIG. 5 is a front elevational view of FIG. 1;
FIG. 6 is a back elevational view of FIG. 1;
FIG. 7 is a left side view of FIG. 5; and,
FIG. 8 is a right side view of FIG. 5.

The broken lines illustrate environmental structure and form no part of the claimed design.

1 Claim, 2 Drawing Sheets



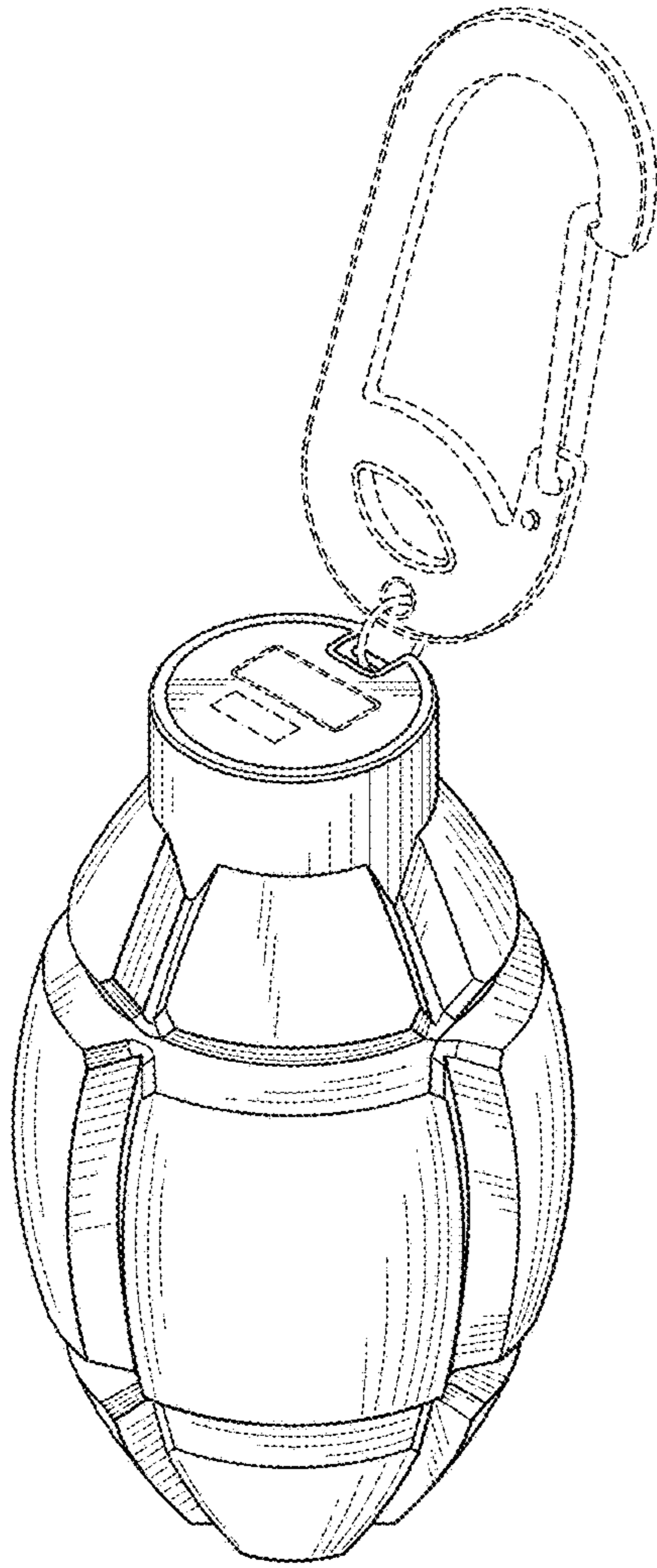


FIG.1

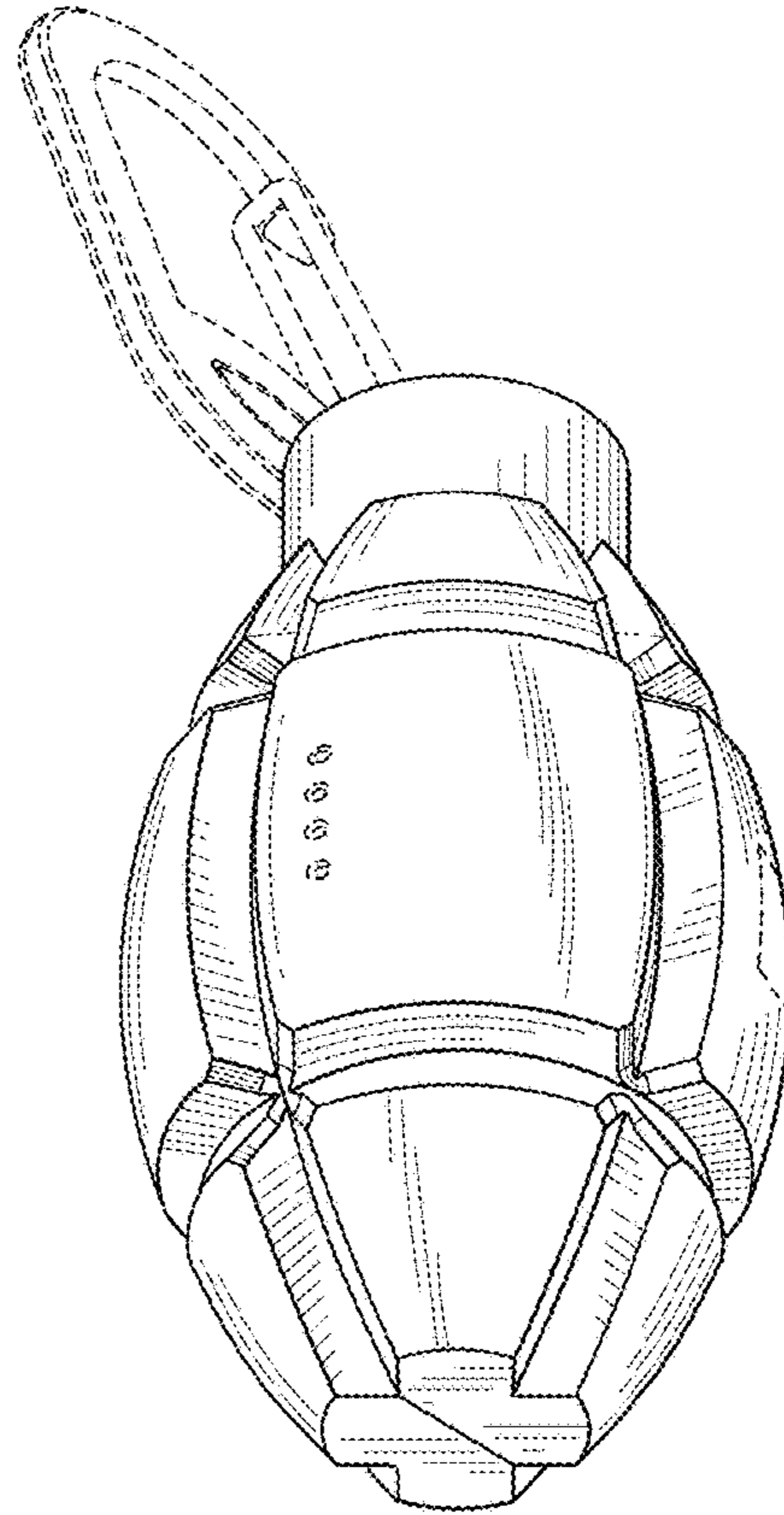


FIG.2

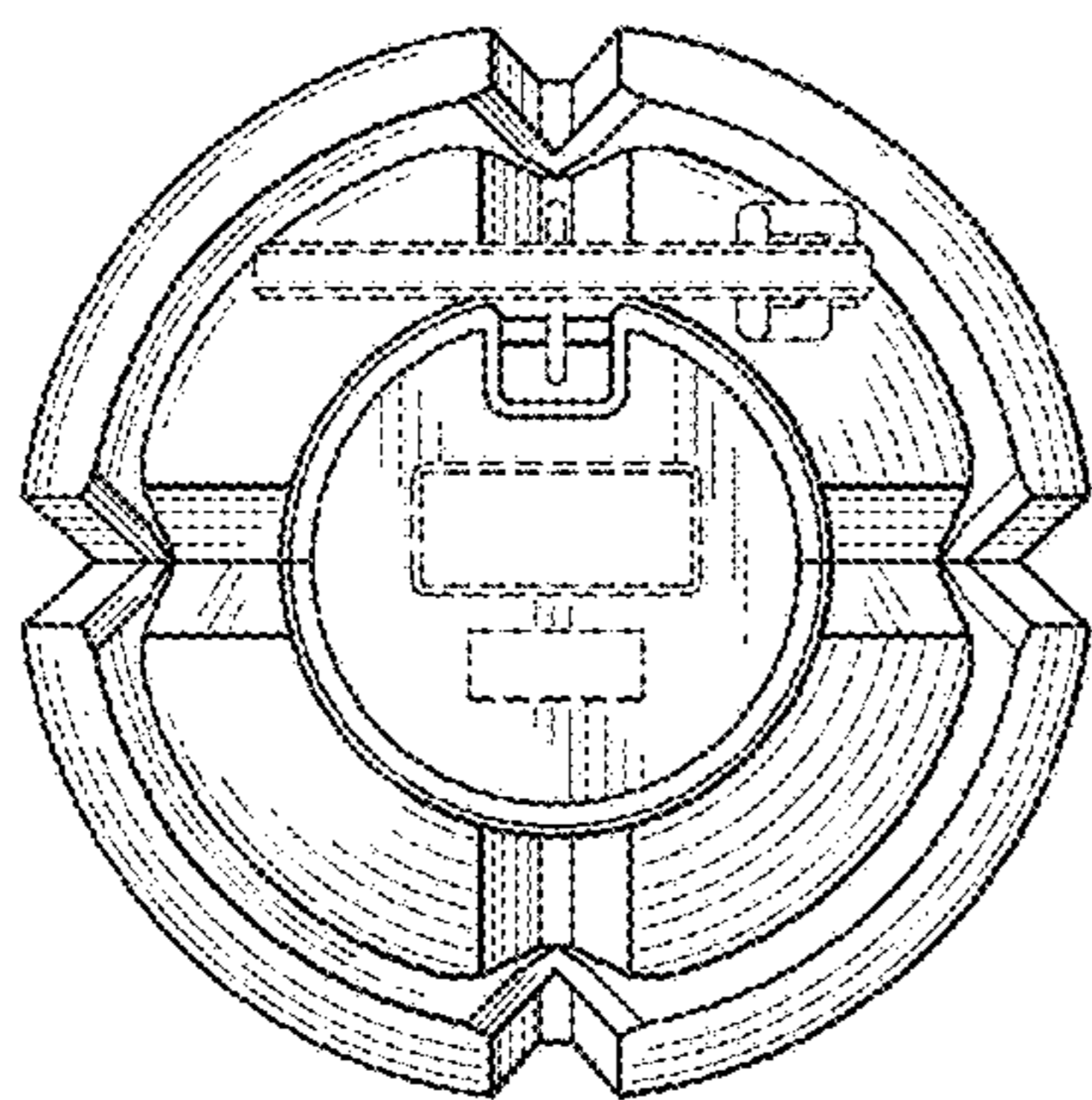


FIG.3

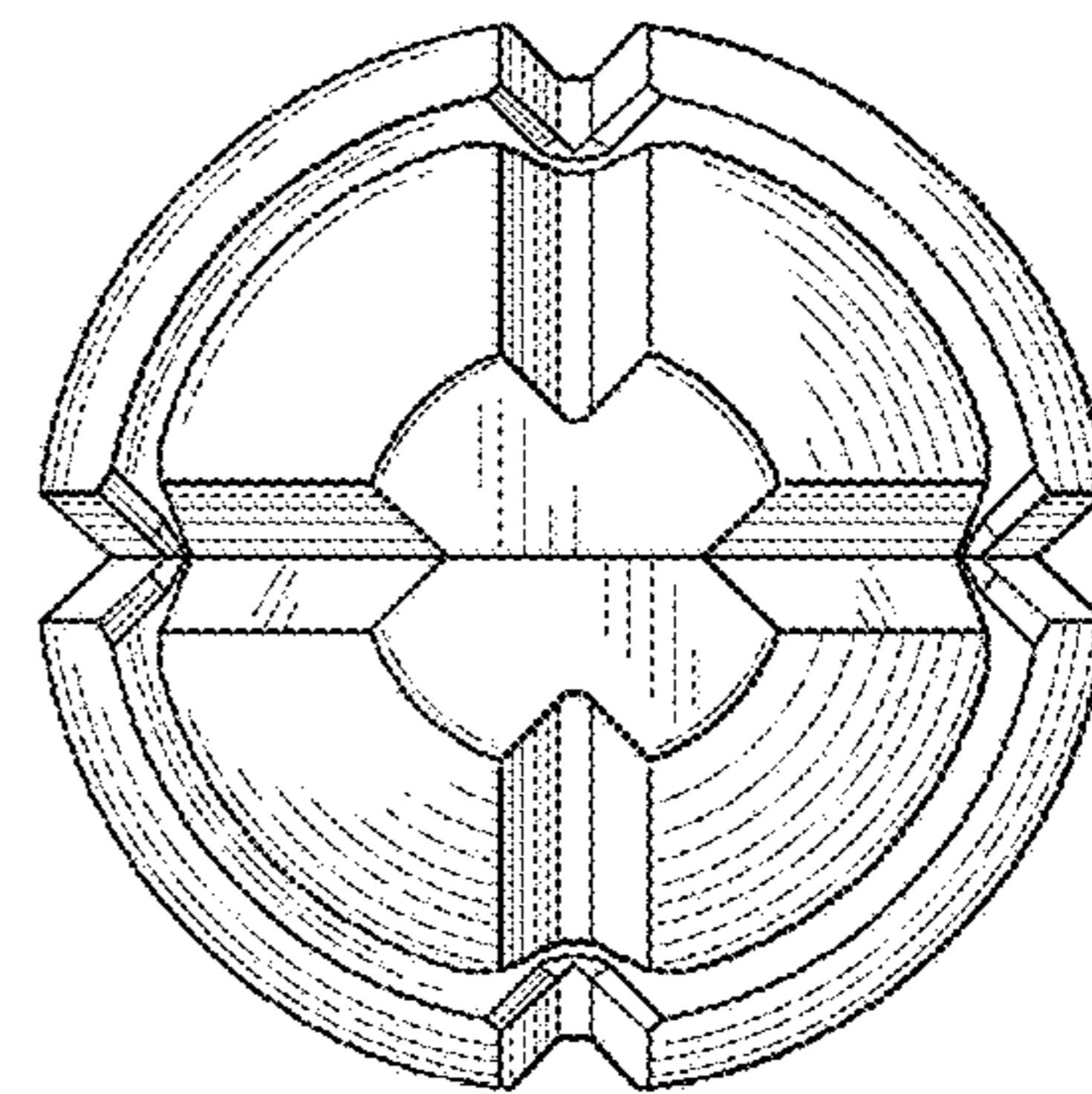


FIG.4

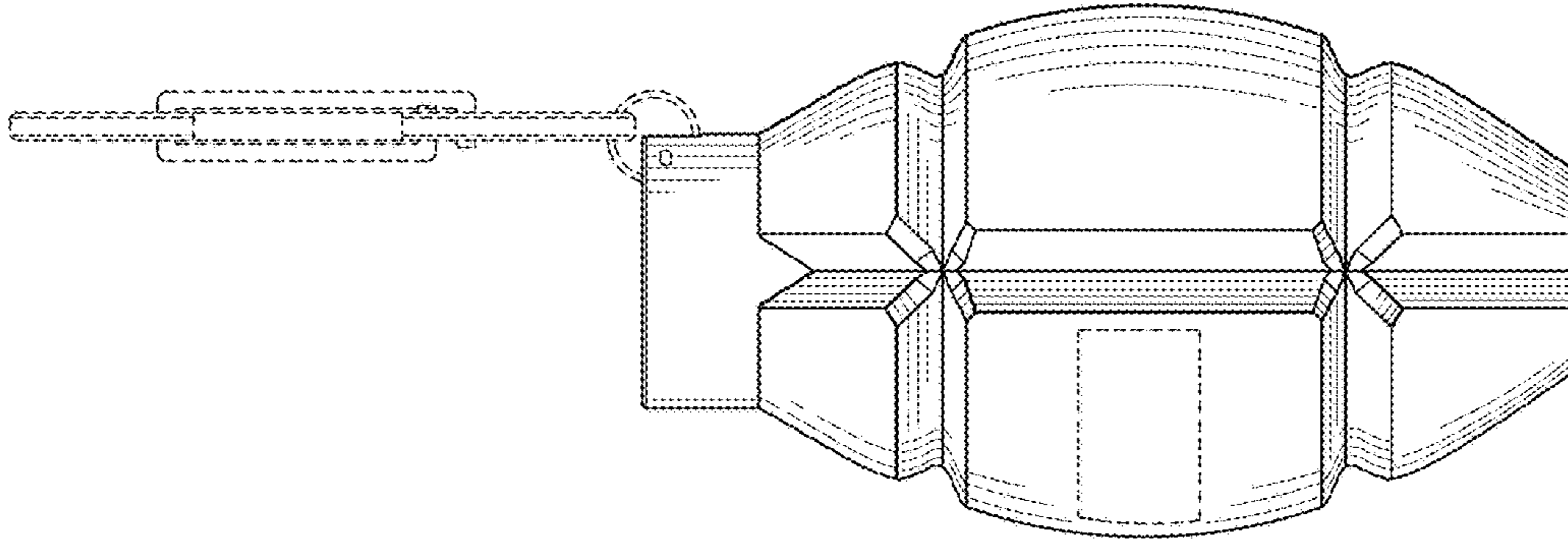


FIG. 8

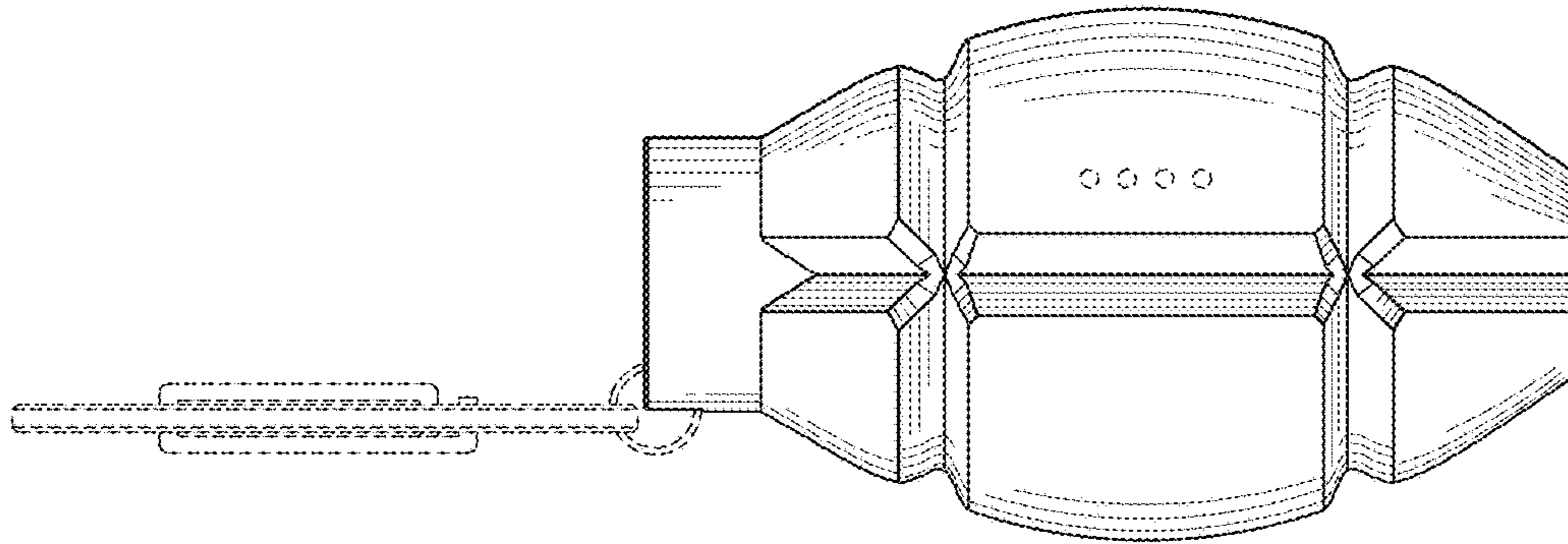


FIG. 7

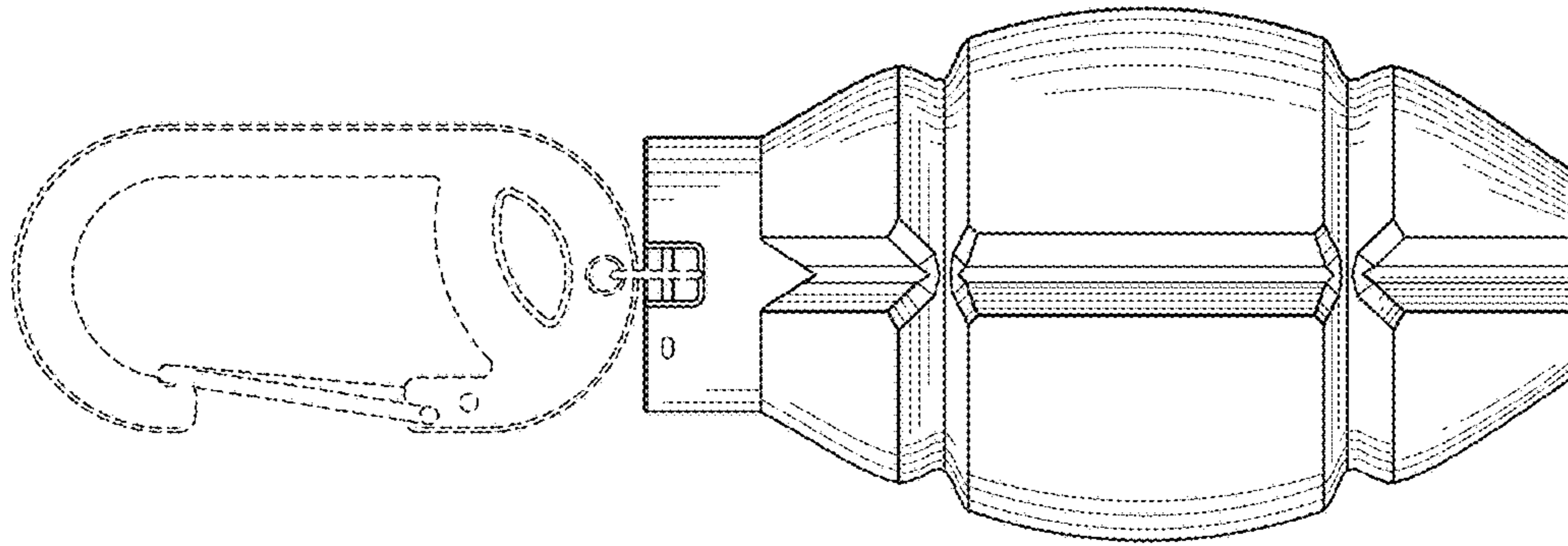


FIG. 6

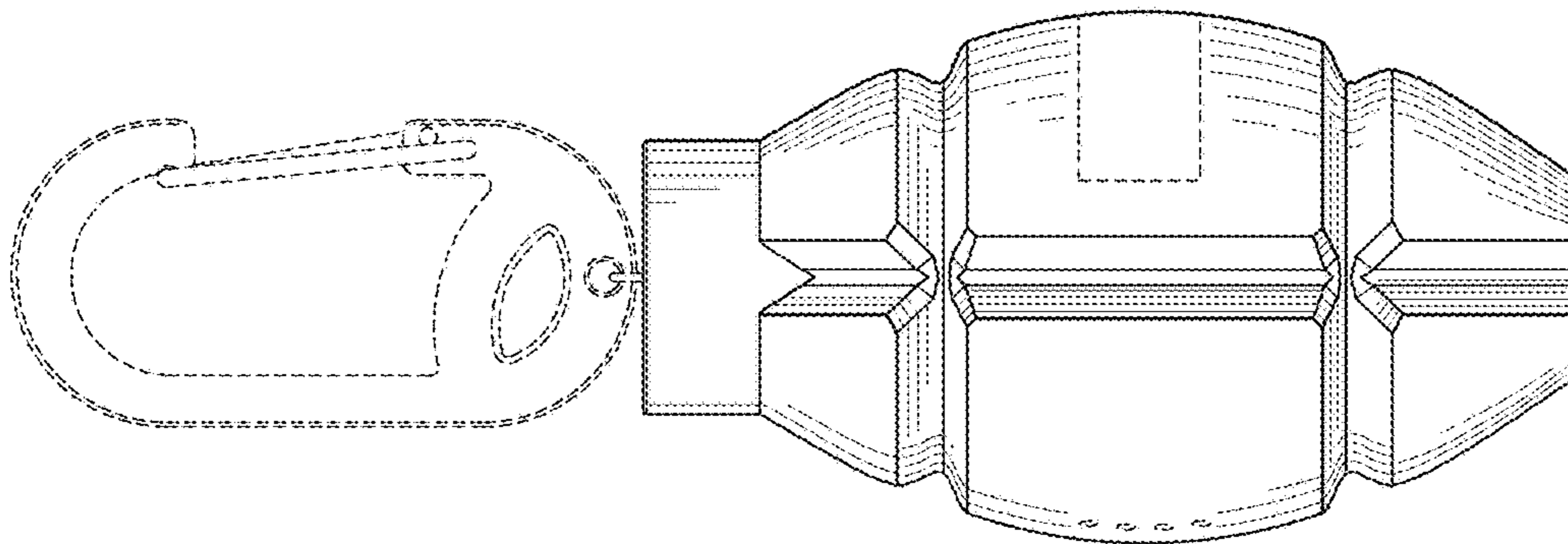


FIG. 5