



US00D778235S

(12) **United States Design Patent** (10) **Patent No.:** **US D778,235 S**  
**Geier et al.** (45) **Date of Patent:** **\*\* Feb. 7, 2017**

(54) **BATTERY**

(71) Applicant: **Stryde Technologies, Inc.**, Evanston, IL (US)

(72) Inventors: **Michael Geier**, Evanston, IL (US);  
**Michael Mannhard**, Evanston, IL (US); **Tejas Shastry**, Evanston, IL (US); **Alex Smith**, Evanston, IL (US)

(73) Assignee: **STYRDE TECHNOLOGIES, INC.**, Evanston, IL (US)

(\*\*) Term: **15 Years**

(21) Appl. No.: **29/565,858**

(22) Filed: **May 25, 2016**

**Related U.S. Application Data**

(62) Division of application No. 29/527,752, filed on May 21, 2015, now Pat. No. Des. 766,820.

(51) **LOC (10) Cl.** ..... **13-02**

(52) **U.S. Cl.**  
USPC ..... **D13/103**

(58) **Field of Classification Search**

USPC ..... D13/102-110, 118-119, 184, 199, 120, D13/154, 146, 147, 133; D14/356, 432; 320/103, 111-115, 135, 138, 140  
CPC ..... Y02E 60/10; Y02E 60/12; Y02E 60/122; Y02E 60/124; Y02E 60/50; H01M 2/02; H01M 2/20; H01M 2/022; H01M 2/0202; H01M 2/0207; H01M 2/0212; H01M 2/1061; H01M 2/1022; H01M 2/1055; H01M 2/1066; H01M 2/105; H01M 2/204; H01M 2/202; H01M 2/206; H01M 10/4257; H01M 10/0436; H01M 10/48; H01M 10/44; H01M 10/46; H01M 10/465; H01M 10/482; H01M 2200/30; H01M 2250/30; H01M 2250/40; H02J 7/00; H02J 7/0003; H02J 7/0011; H02J 7/0013; H02J 7/0054; H02J 7/0055; H02J 7/0057; H02J 2007/0062

See application file for complete search history.

(56) **References Cited**

U.S. PATENT DOCUMENTS

D586,739	S	*	2/2009	Zaremba et al.	.....	D13/103
D708,129	S	*	7/2014	Houghton	.....	D13/103
D726,106	S	*	4/2015	Aber	.....	D13/103
D751,984	S	*	3/2016	Lin	.....	D13/103
D756,299	S	*	5/2016	Seidl	.....	D13/107
9,331,559	B2	*	5/2016	Shastry	.....	H02K 7/1876
D759,587	S	*	6/2016	Santos	.....	D13/103
D761,199	S	*	7/2016	Hong	.....	D13/103

(Continued)

OTHER PUBLICATIONS

Kickstarter.com: Ampy Move. Retrieved from the internet at <<https://www.kickstarter.com/projects/1071086547/ampy-power-your-devices-from-your-motion/description>>, Sep. 12, 2016. 21 pages.\*

(Continued)

*Primary Examiner* — Rosemary K Tarcza

*Assistant Examiner* — Christy Nemeth

(74) *Attorney, Agent, or Firm* — Global IP Counselors, LLP

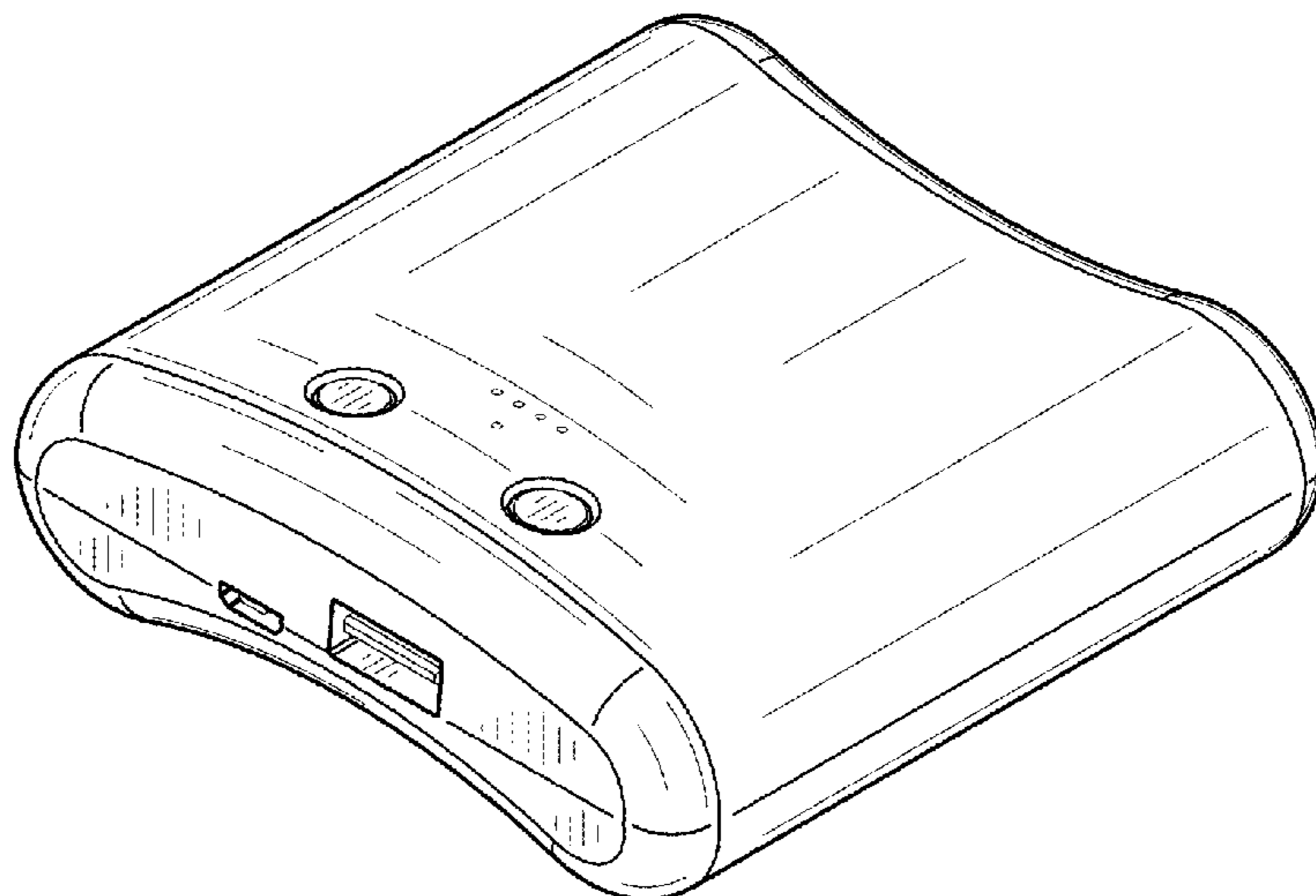
(57) **CLAIM**

The ornamental design for a battery, as shown and described.

**DESCRIPTION**

FIG. 1 is a perspective view of a battery;  
FIG. 2 is another perspective view thereof;  
FIG. 3 is another perspective view thereof;  
FIG. 4 is a side view thereof;  
FIG. 5 is a side view thereof;  
FIG. 6 is a side view thereof;  
FIG. 7 is bottom view thereof; and,  
FIG. 8 is top view thereof.

**1 Claim, 4 Drawing Sheets**



(56)

**References Cited**

U.S. PATENT DOCUMENTS

9,401,609 B2 \* 7/2016 Shapley ..... H02J 7/0045  
D764,409 S \* 8/2016 Alesi ..... D13/110  
D764,410 S \* 8/2016 Alesi ..... D13/110  
D765,028 S \* 8/2016 Alesi ..... D13/110  
9,413,018 B2 \* 8/2016 Lee ..... B01D 63/043  
2015/0171386 A1 \* 6/2015 Yang ..... H01M 2/1022  
429/163  
2016/0099491 A1 \* 4/2016 Cho ..... H01M 10/6555  
429/120  
2016/0149167 A1 \* 5/2016 Jung ..... H01M 2/02  
429/94

OTHER PUBLICATIONS

YouTube.com: Ampy :: your movement is your power. Retrieved from the internet at <<https://www.youtube.com/watch?v=vis3lxkkuPM>>, Sep. 12, 2016. 1 page.\*

\* cited by examiner

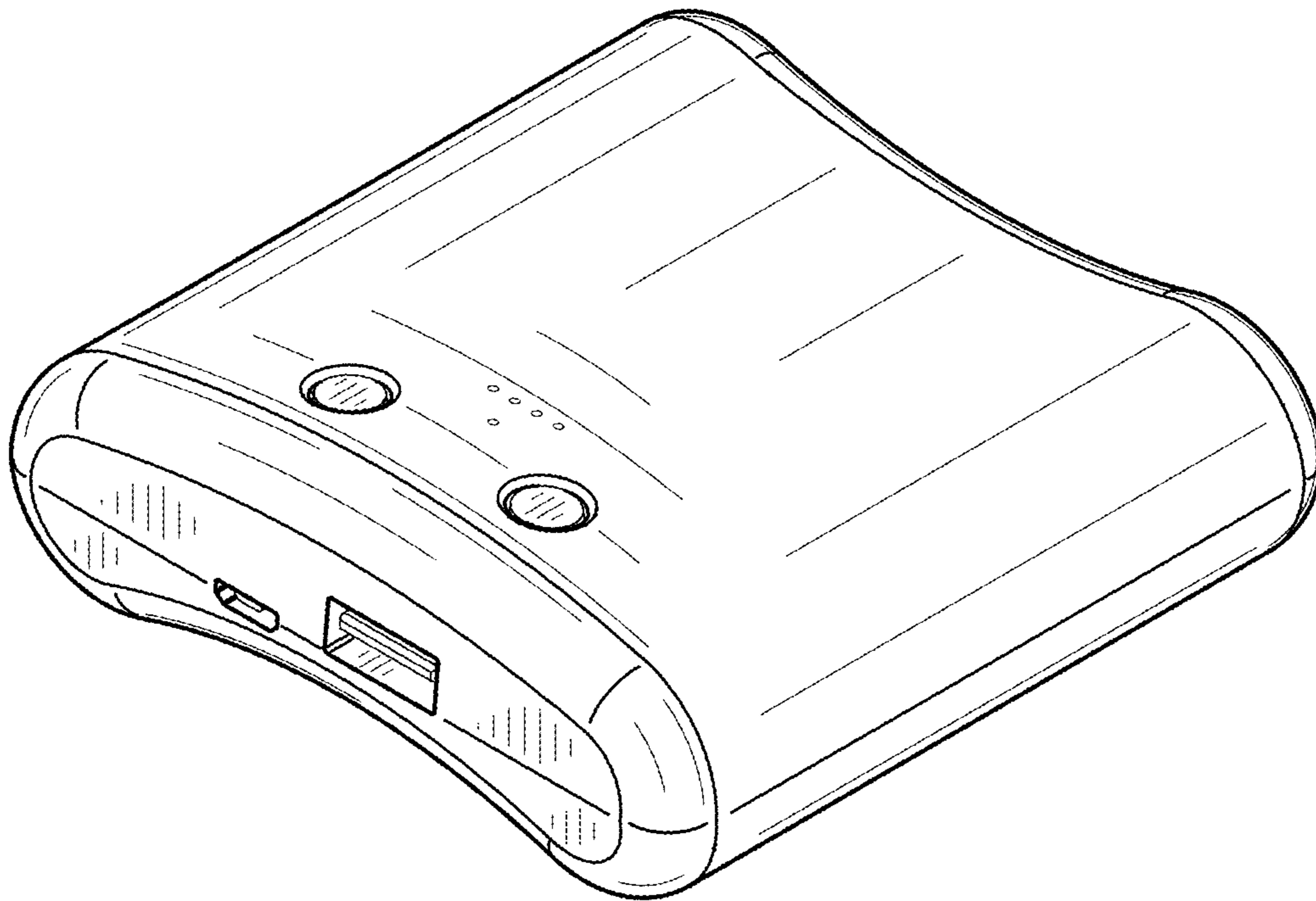


FIG. 1

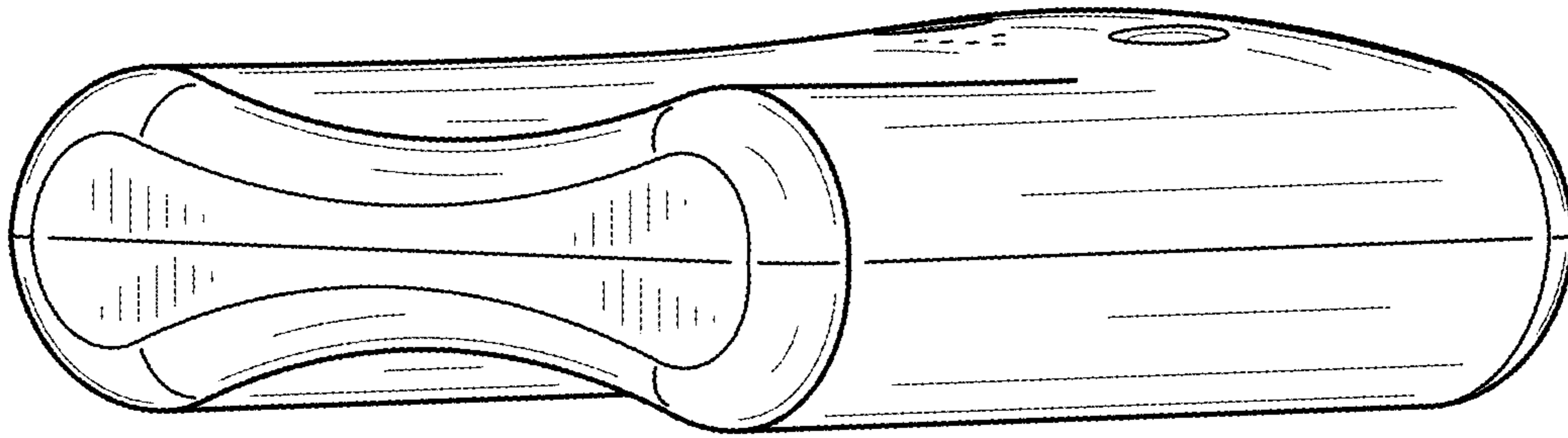


FIG. 2

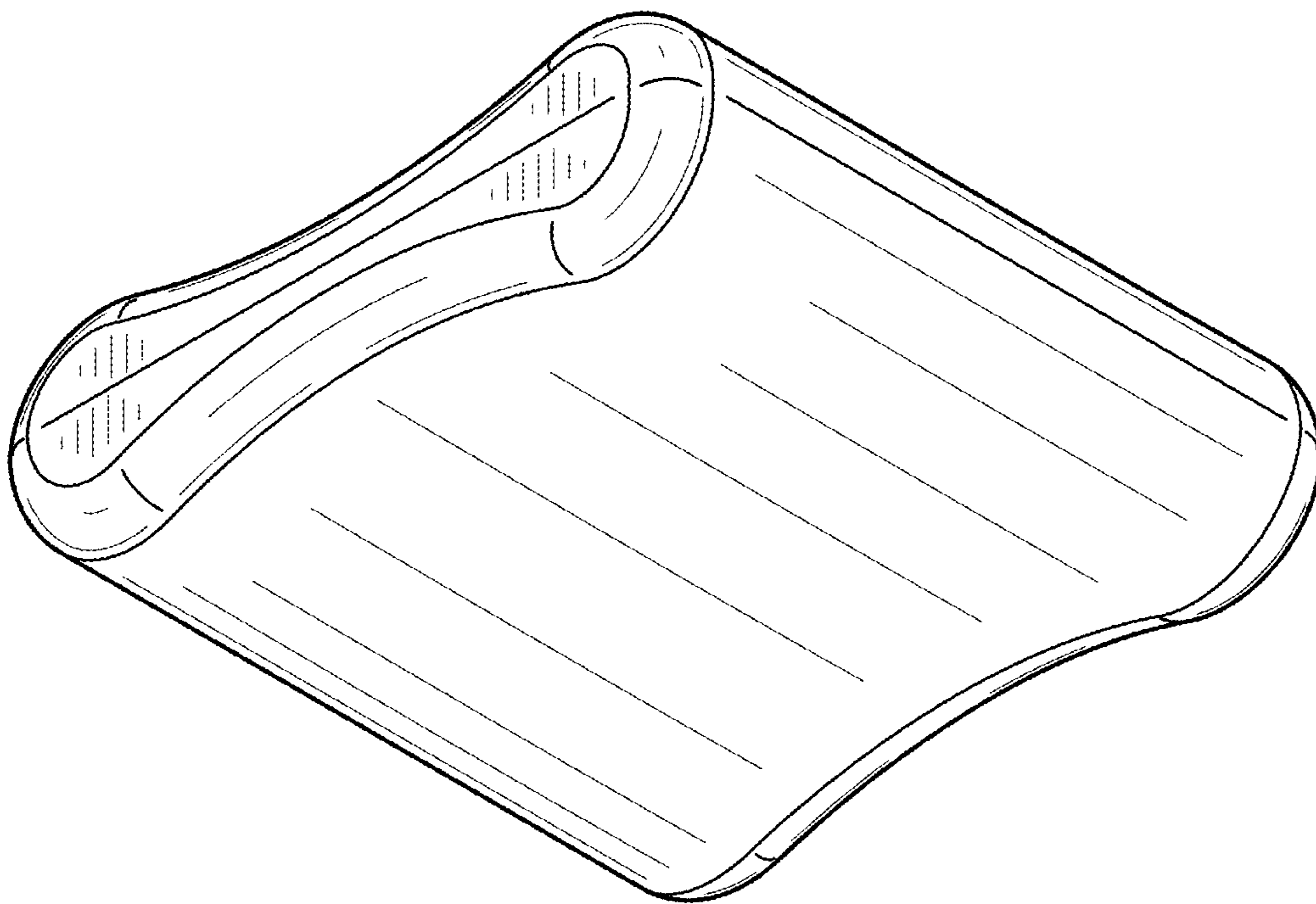


FIG. 3

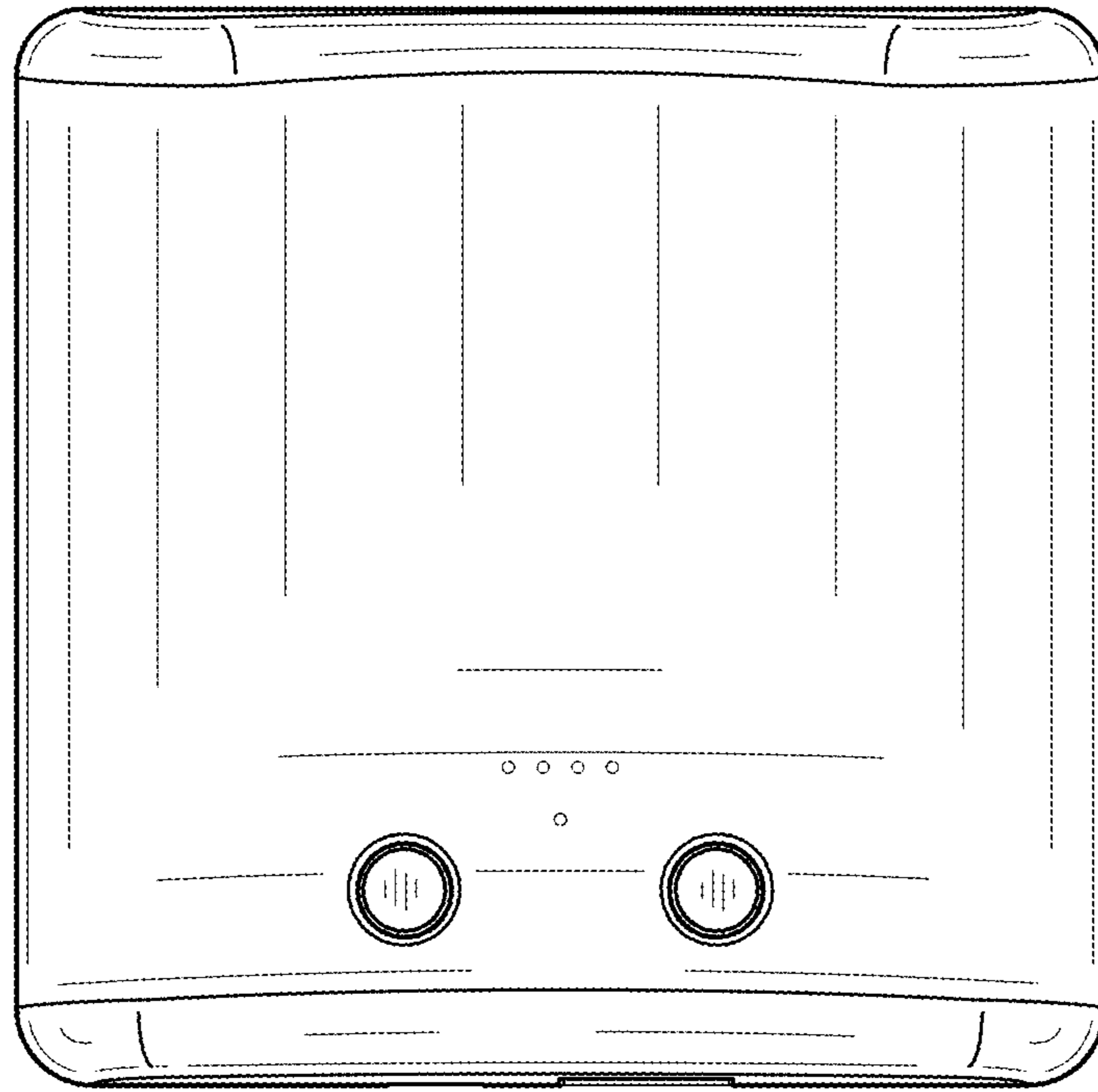


FIG. 4

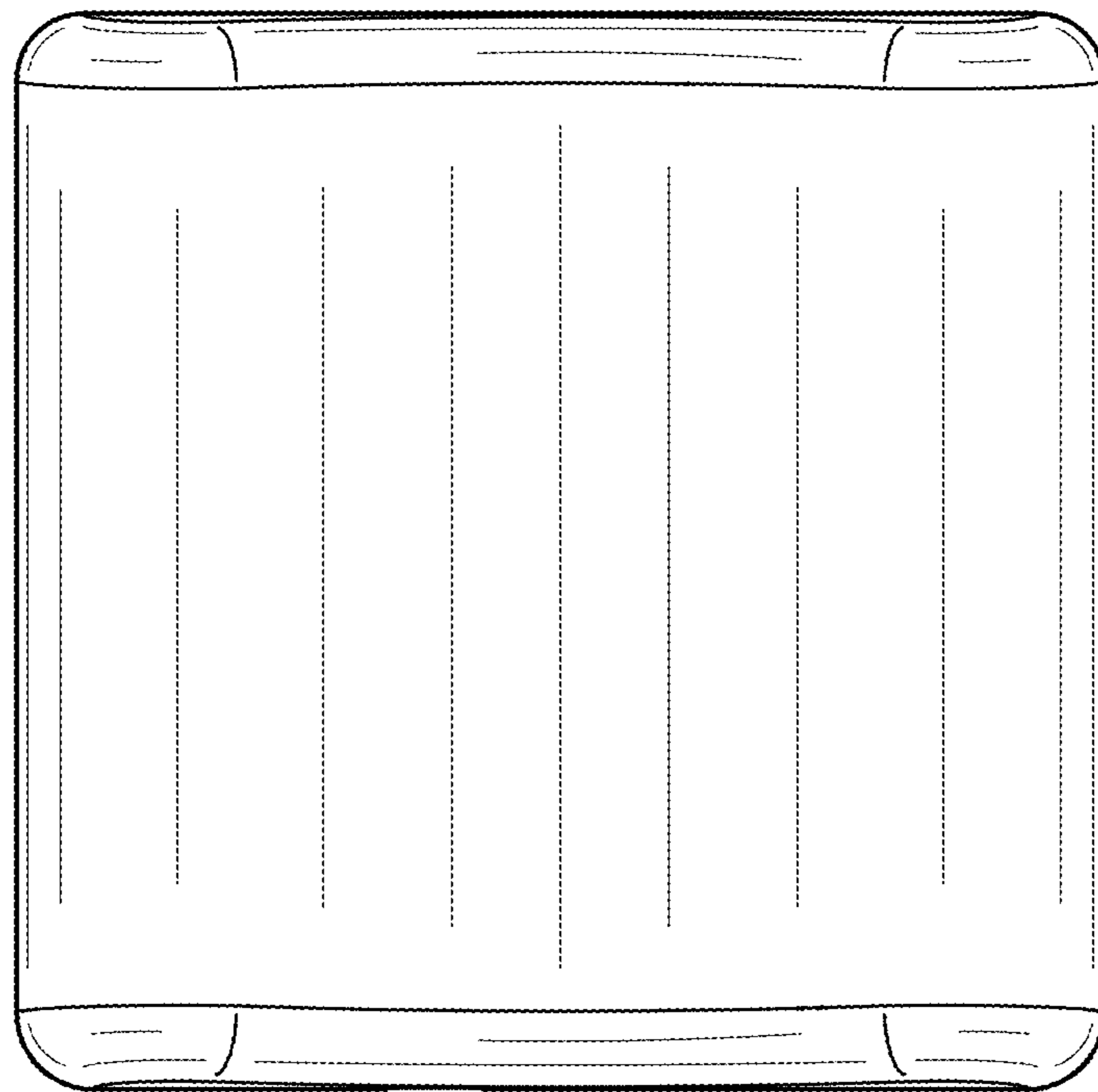


FIG. 5

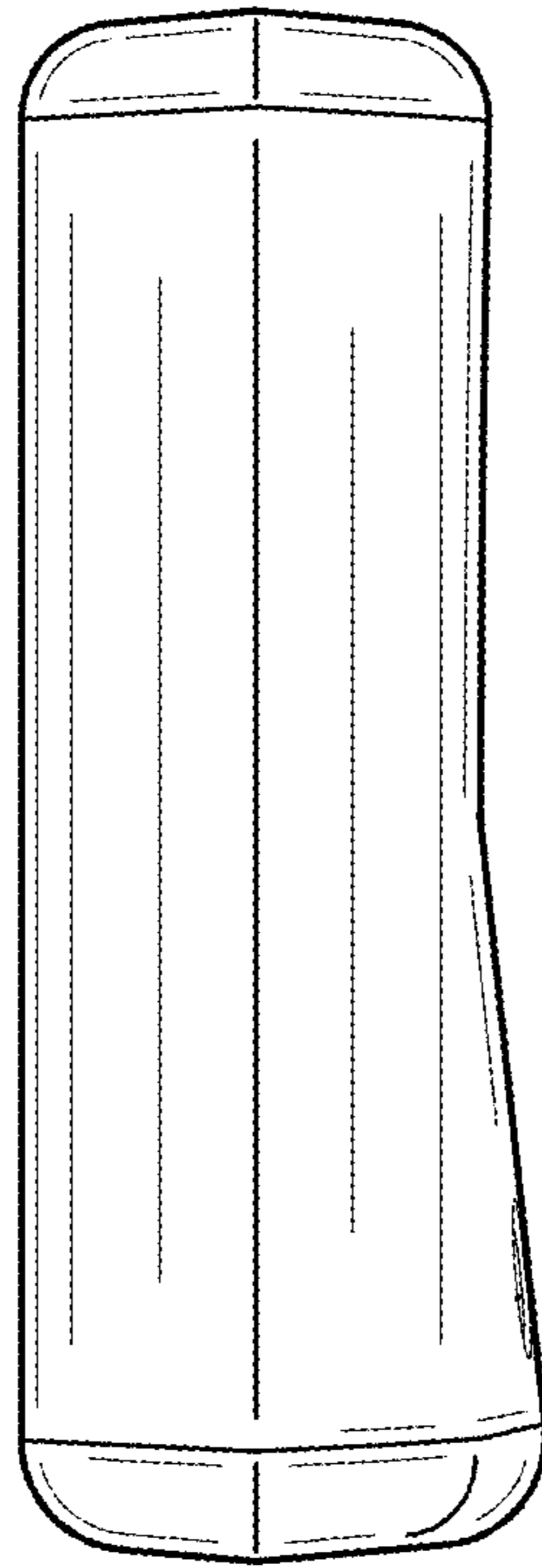


FIG. 6

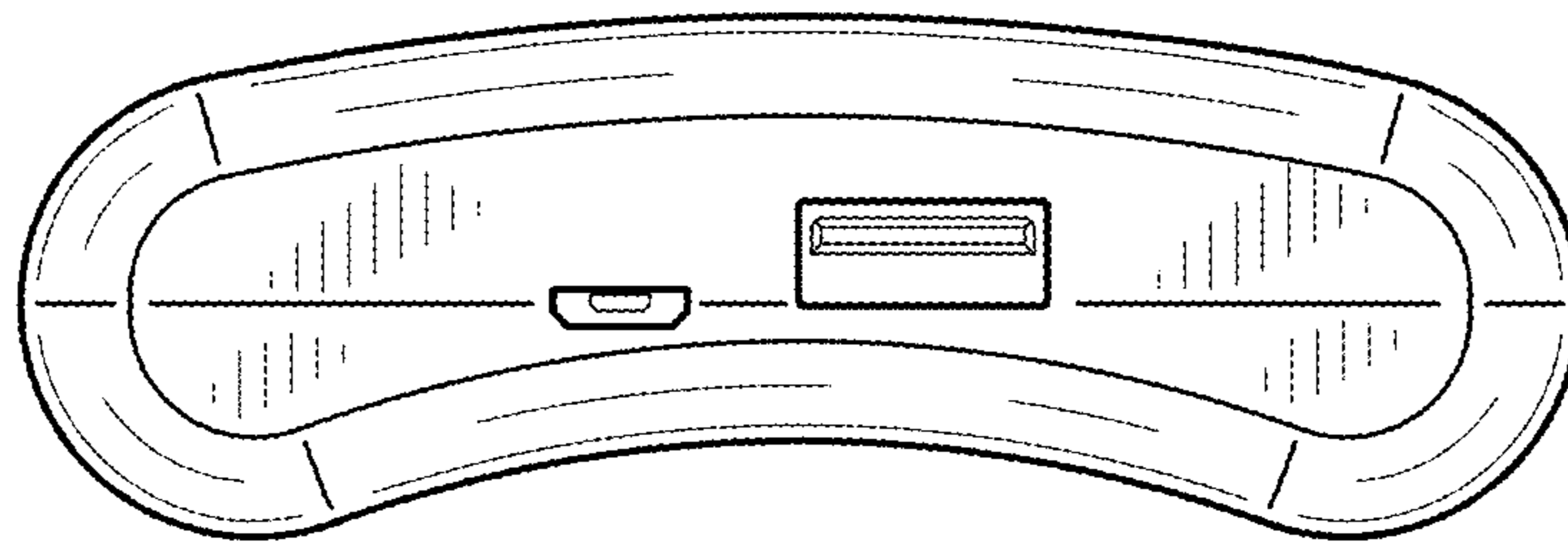


FIG. 7

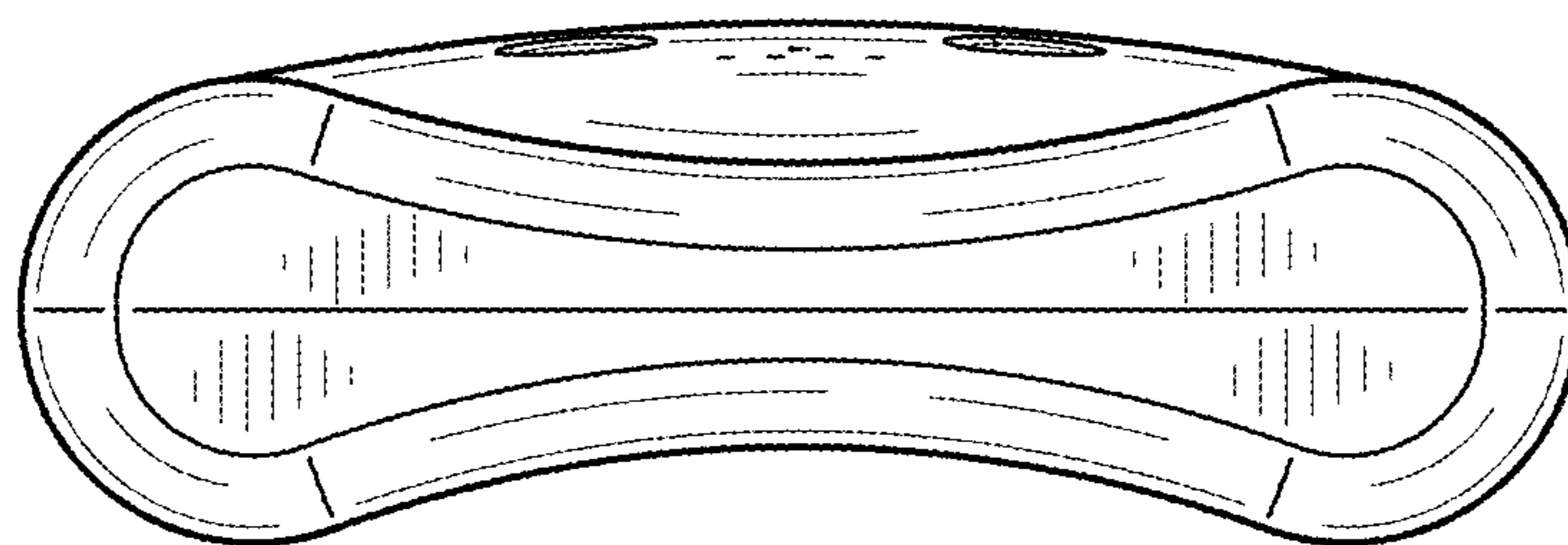


FIG. 8