



US00D778232S

(12) **United States Design Patent**
Fabre et al.

(10) **Patent No.:** **US D778,232 S**

(45) **Date of Patent:** **** Feb. 7, 2017**

(54) **TIRE TREAD**

(71) Applicants: **Aurelien Fabre**, Clermont-Ferrand (FR); **Florent Delfosse**, Clermont-Ferrand (FR); **Arnaud Larregain**, Clermont-Ferrand (FR)

(72) Inventors: **Aurelien Fabre**, Clermont-Ferrand (FR); **Florent Delfosse**, Clermont-Ferrand (FR); **Arnaud Larregain**, Clermont-Ferrand (FR)

(73) Assignees: **COMPAGNIE GENERALE DES ETABLISSEMENTS MICHELIN** (FR); **MICHELIN RECHERCHE ET TECHNIQUE S.A.** (CH)

(**) Term: **14 Years**

(21) Appl. No.: **29/512,815**

(22) Filed: **Dec. 23, 2014**

(30) **Foreign Application Priority Data**

Jun. 23, 2014 (FR) 14 2849

(51) **LOC (10) Cl.** **12-15**

(52) **U.S. Cl.**
USPC **D12/602**

(58) **Field of Classification Search**
USPC D12/550-568, 580-604, 900
CPC . B60C 1/0016; B60C 11/0306; B60C 11/0302
See application file for complete search history.

(56) **References Cited**

U.S. PATENT DOCUMENTS

D618,162 S * 6/2010 Mayni D12/588
D646,624 S * 10/2011 Yamaguchi D12/584

D652,369 S * 1/2012 Lebreton D12/583
D668,206 S * 10/2012 Moore D12/588
D700,885 S * 3/2014 Le D12/588
D718,223 S * 11/2014 Gommez D12/553
D719,907 S * 12/2014 Ohara D12/588
D727,839 S * 4/2015 Rolland D12/583
D732,465 S * 6/2015 Yamada D12/588
D739,813 S * 9/2015 Moore D12/600

* cited by examiner

Primary Examiner — Robert M Spear

Assistant Examiner — John Voytek

(74) *Attorney, Agent, or Firm* — Dickinson Wright PLLC

(57) **CLAIM**

The ornamental design for a tire tread, as shown and described.

DESCRIPTION

FIG. 1 is a perspective view of the tire tread of our design; FIG. 2 is a front view of the tread of our design;

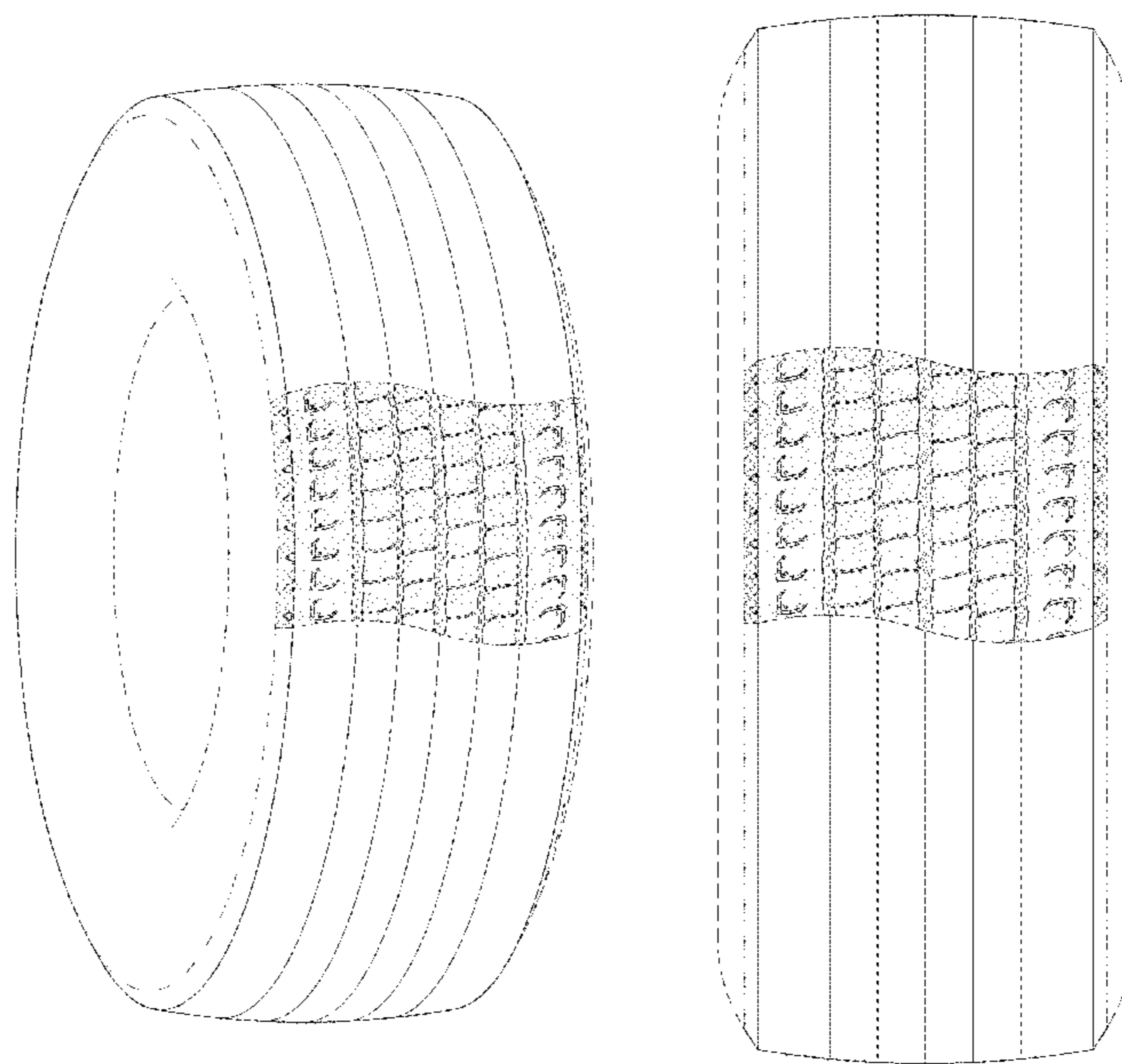
FIG. 3 is a side elevational view of the tire tread of our design;

FIG. 4 is a side elevational view of the tire tread of our design, taken from the opposite side of that shown in FIG. 3; and,

FIG. 5 is an enlarged, partial view of FIG. 1.

In the drawings, the broken lines depict environmental subject matter that forms no part of the claimed design. The dash-dot lines represent the peripheral boundary between the claimed tire tread and the unclaimed sidewall. The tread pattern is understood to repeat uniformly throughout the circumference of the tire, as shown schematically in solid lines.

1 Claim, 5 Drawing Sheets



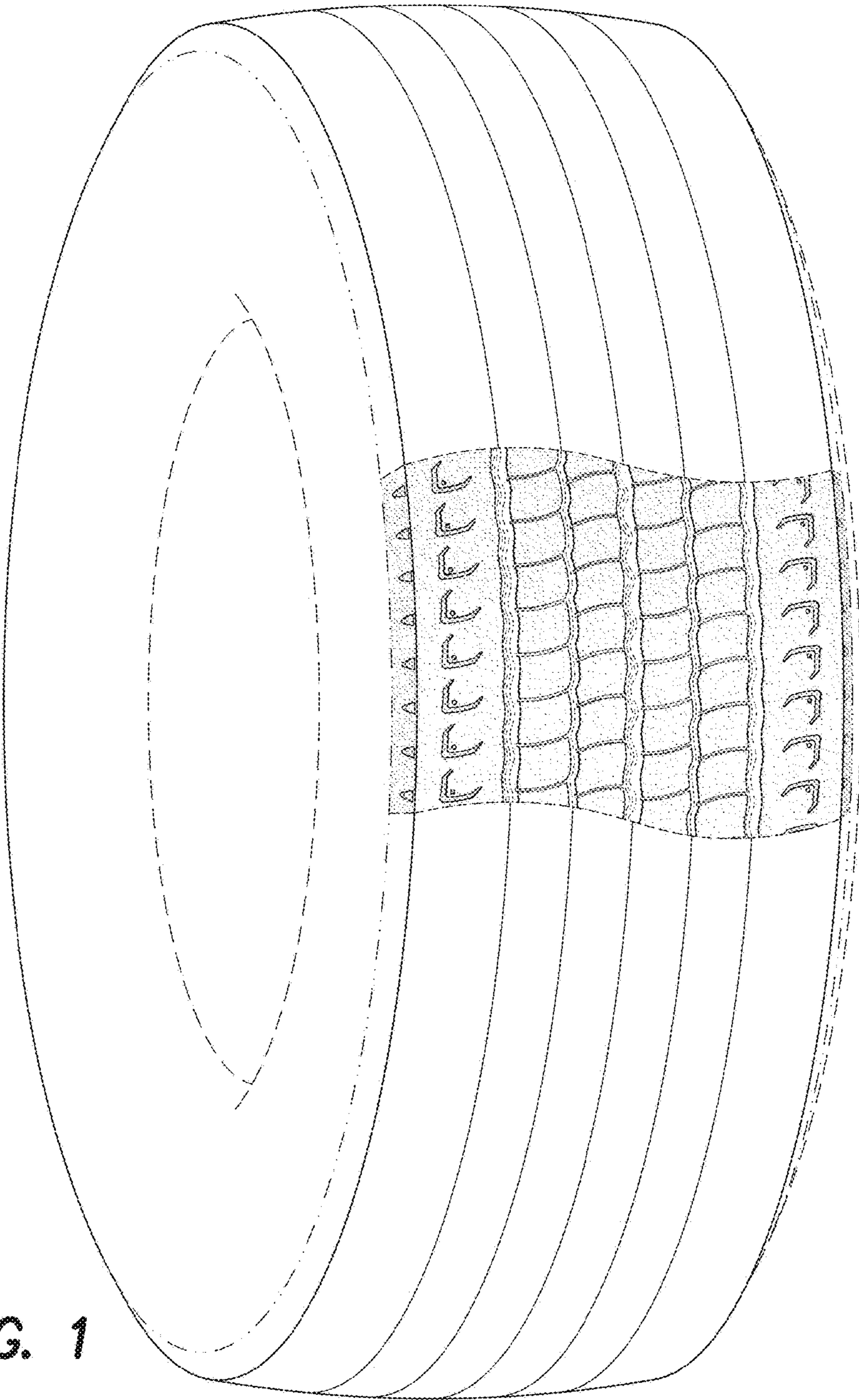


FIG. 1

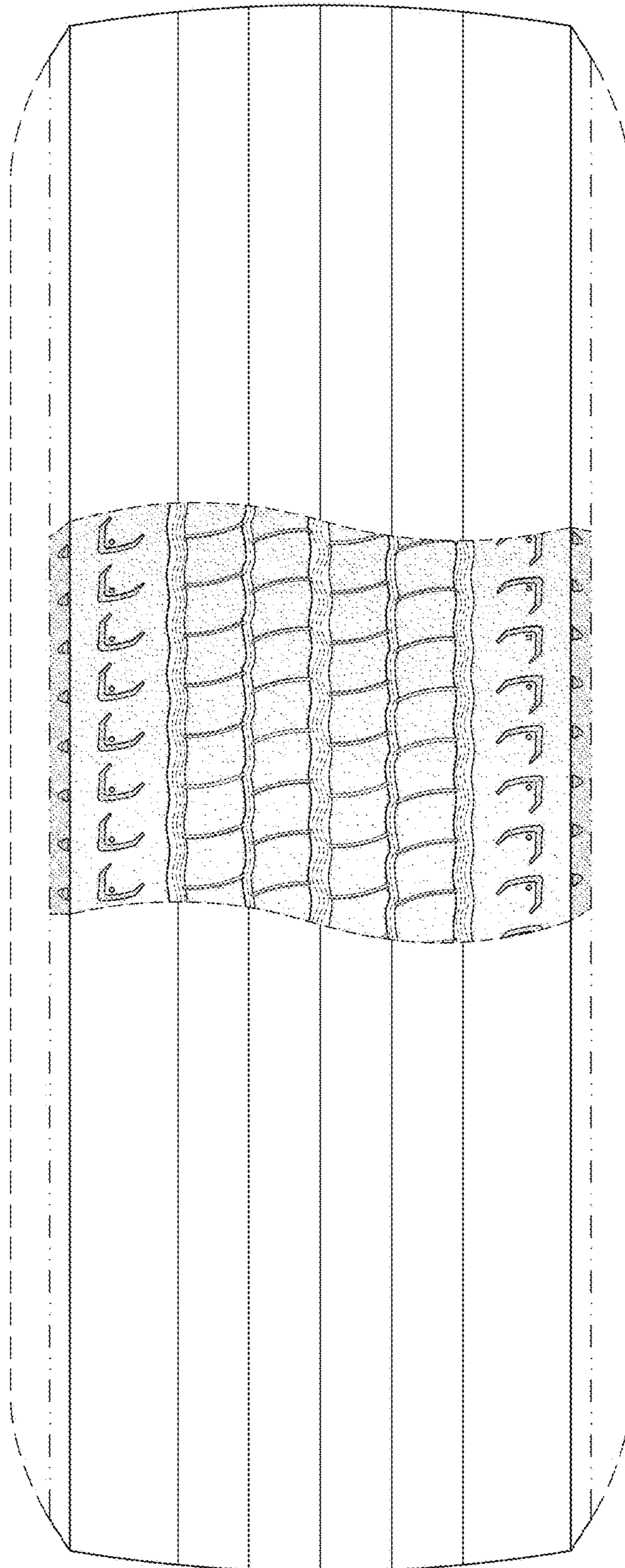


FIG. 2

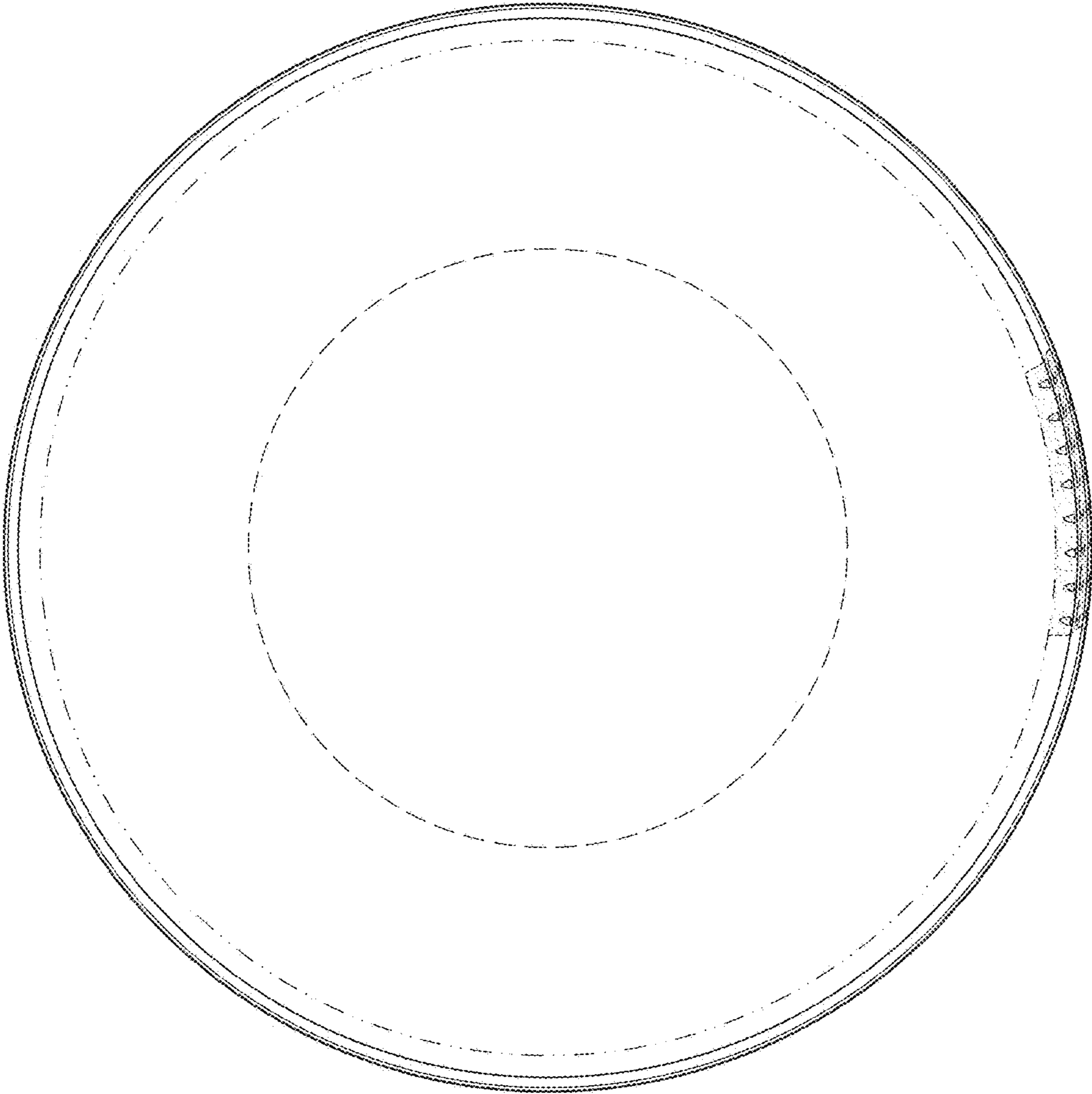


FIG. 3

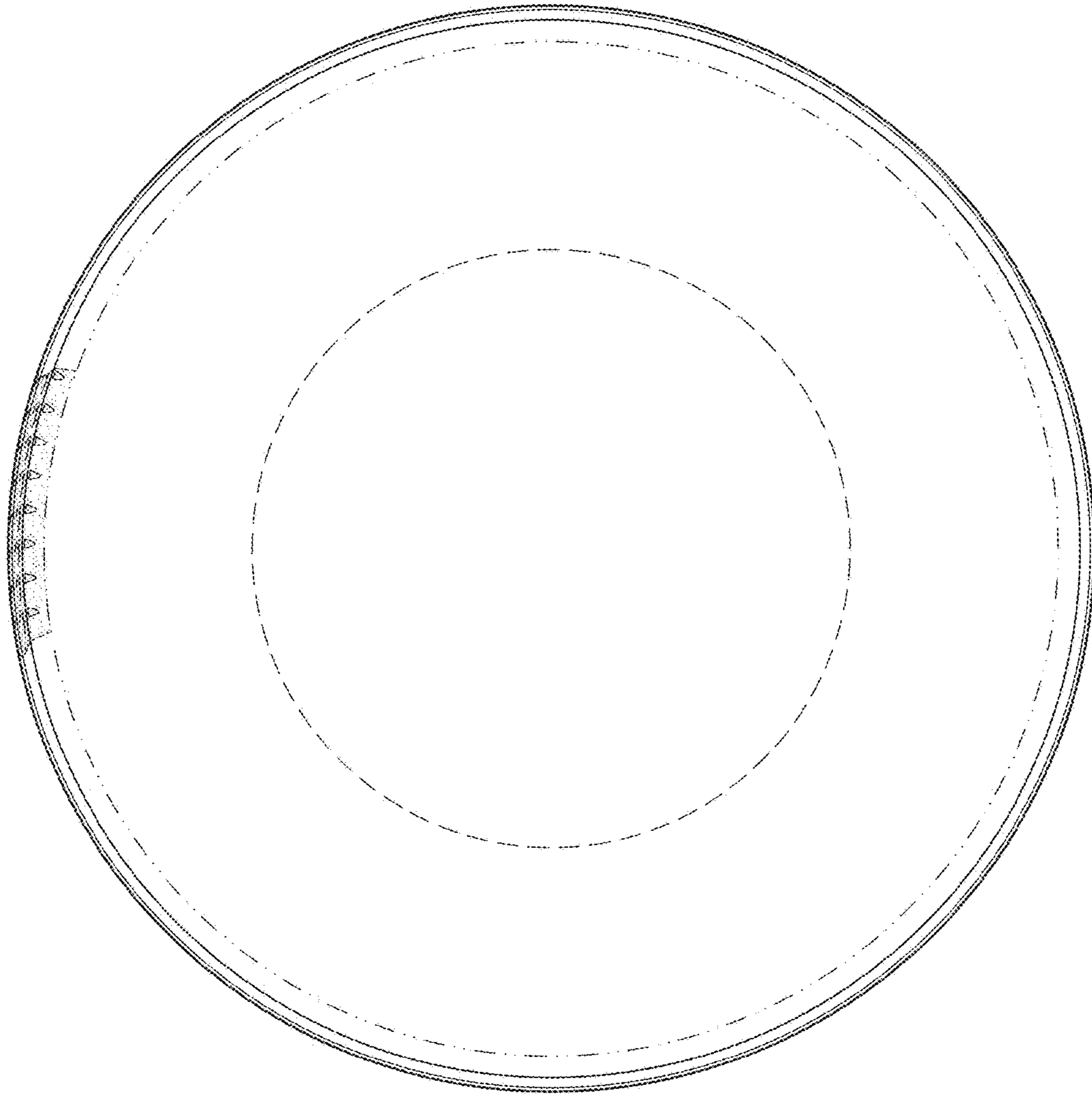


FIG. 4

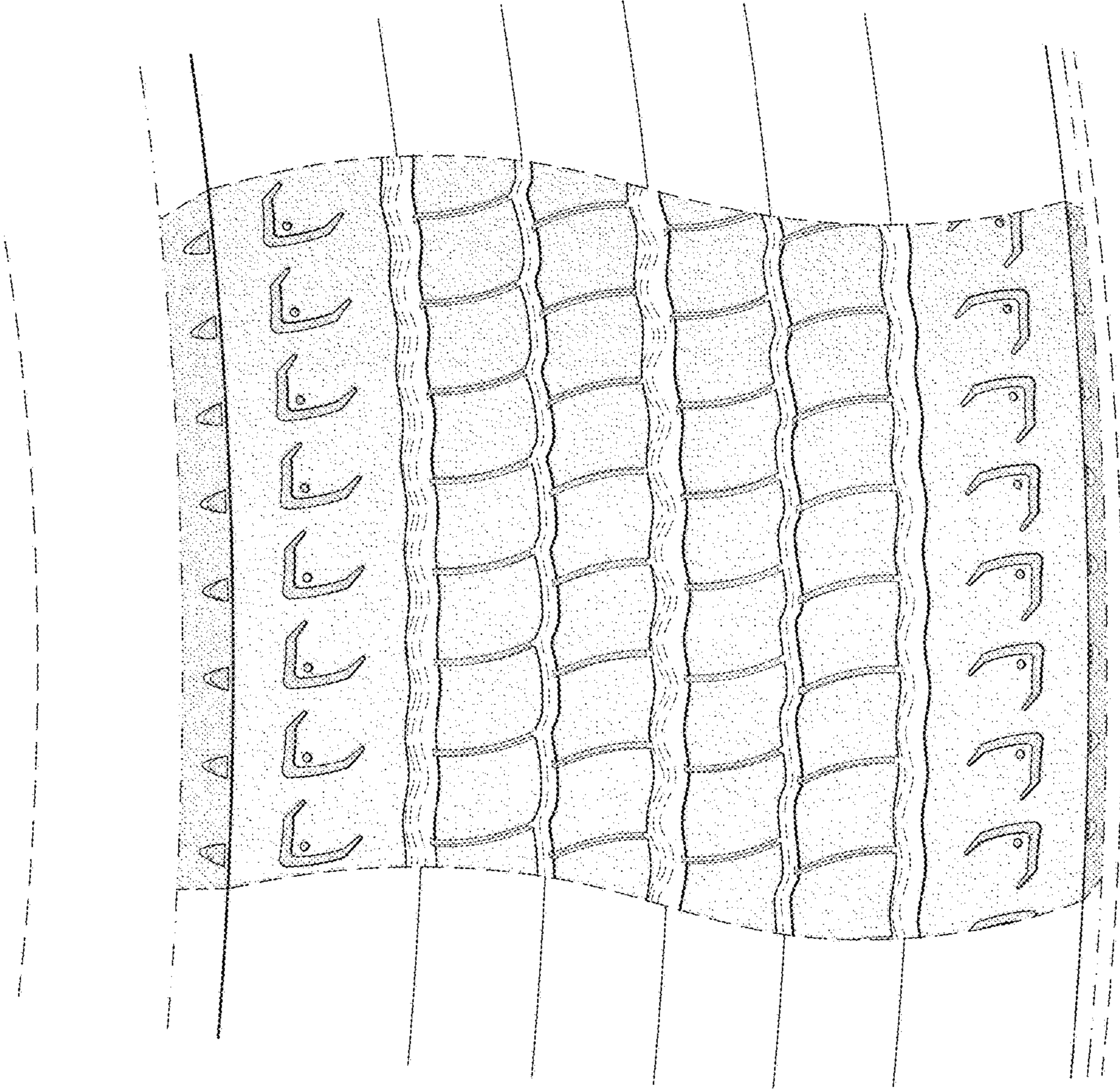


FIG. 5