



US00D778224S

(12) **United States Design Patent** (10) **Patent No.:** **US D778,224 S**  
**Eriksson et al.** (45) **Date of Patent:** **\*\* Feb. 7, 2017**

(54) **CARRIER**

**DESCRIPTION**

(71) Applicant: **Thule Sweden AB**, Hillerstorp (SE)  
(72) Inventors: **Henrik Eriksson**, Jönköping (SE);  
**Fredrik Fransson**, Värnamo (SE)  
(73) Assignee: **Thule Sweden AB**, Hillerstorp (SE)  
(\*\*) Term: **14 Years**  
(21) Appl. No.: **29/513,355**  
(22) Filed: **Dec. 30, 2014**  
(51) **LOC (10) Cl.** ..... **12-16**  
(52) **U.S. Cl.**  
USPC ..... **D12/412**  
(58) **Field of Classification Search**  
USPC ..... D12/412, 406, 413, 313.1; D6/552;  
D3/304-306  
CPC ..... B60R 9/00; B60R 9/02; B60R 9/04;  
B60R 9/08; B60R 9/042; B60R  
9/046; B60R 9/045; B60R 9/048; B60R  
9/05; B60R 9/052; B60R 9/055; B60R  
9/058; B60R 9/06; B60R 9/065; B60R  
9/10; B60R 9/12  
See application file for complete search history.

FIG. 1 is a top front perspective view of a carrier showing the claimed design;  
FIG. 2 is a front view thereof;  
FIG. 3 is a rear view thereof;  
FIG. 4 is a right side view thereof;  
FIG. 5 is a left side view thereof;  
FIG. 6 is a top view thereof;  
FIG. 7 is a bottom view thereof;  
FIG. 8 is a top front perspective view of another carrier showing the claimed design;  
FIG. 9 is a front view thereof;  
FIG. 10 is a rear view thereof;  
FIG. 11 is a right side view thereof;  
FIG. 12 is a left side view thereof;  
FIG. 13 is a top view thereof;  
FIG. 14 is a bottom view thereof;  
FIG. 15 is a top front perspective view of another carrier showing the claimed design;  
FIG. 16 is a front view thereof;  
FIG. 17 is a rear view thereof;  
FIG. 18 is a right side view thereof;  
FIG. 19 is a left side view thereof;  
FIG. 20 is a top view thereof;  
FIG. 21 is a bottom view thereof;  
FIG. 22 is a top front perspective view of another carrier showing the claimed design;  
FIG. 23 is a front view thereof;  
FIG. 24 is a rear view thereof;  
FIG. 25 is a right side view thereof;  
FIG. 26 is a left side view thereof;  
FIG. 27 is a top view thereof; and,  
FIG. 28 is a bottom view thereof.

(56) **References Cited**

**U.S. PATENT DOCUMENTS**

D415,096 S 10/1999 Englander et al.  
D496,323 S \* 9/2004 Buseman ..... D12/412  
(Continued)

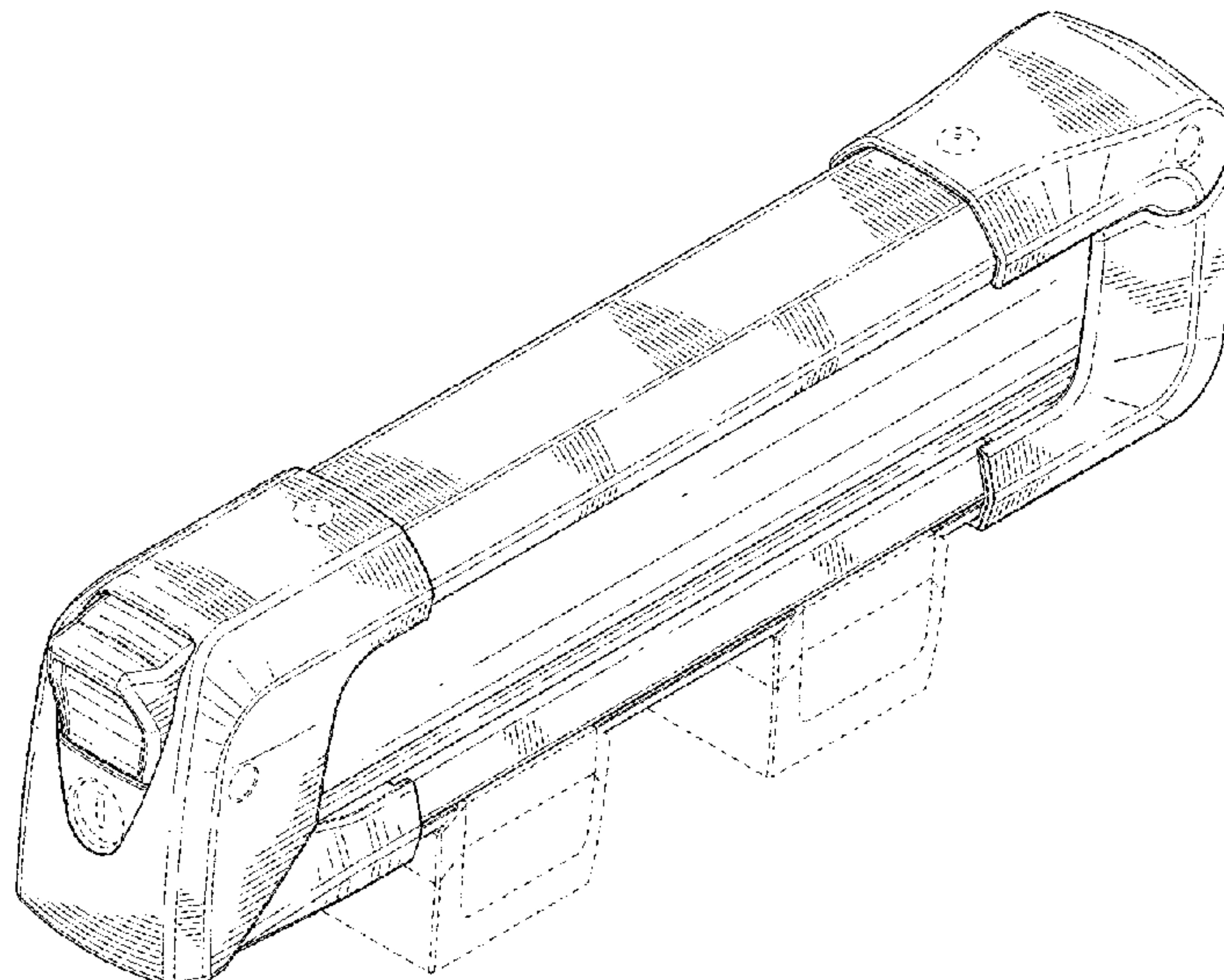
*Primary Examiner* — Katrina A Betton  
(74) *Attorney, Agent, or Firm* — Sterne, Kessler,  
Goldstein & Fox P.L.L.C.

(57) **CLAIM**

The ornamental design for a carrier, as shown and described.

The dashed broken lines in the figures show portions of the carrier that form no part of the claimed design.  
FIGS. 22 and 25-28 include dot-dashed lines and a bracket to indicate that no particular length is claimed; any portion of the article beyond what is shown forms no part of the claimed design.

**1 Claim, 28 Drawing Sheets**



(56)

**References Cited**

U.S. PATENT DOCUMENTS

D555,573	S	*	11/2007	Kemery	.....	D12/412
D577,327	S	*	9/2008	Jung	.....	D12/412
D627,704	S	*	11/2010	Bucher	.....	D12/412
D633,030	S	*	2/2011	Robertson	.....	D12/412
D679,239	S	*	4/2013	McMurtrie	.....	D12/412
D691,550	S	*	10/2013	Moeller	.....	D12/412
D719,902	S	*	12/2014	Sautter	.....	D12/412
D719,903	S	*	12/2014	Sautter	.....	D12/412
2014/0143990	A1		5/2014	Sautter et al.		

\* cited by examiner

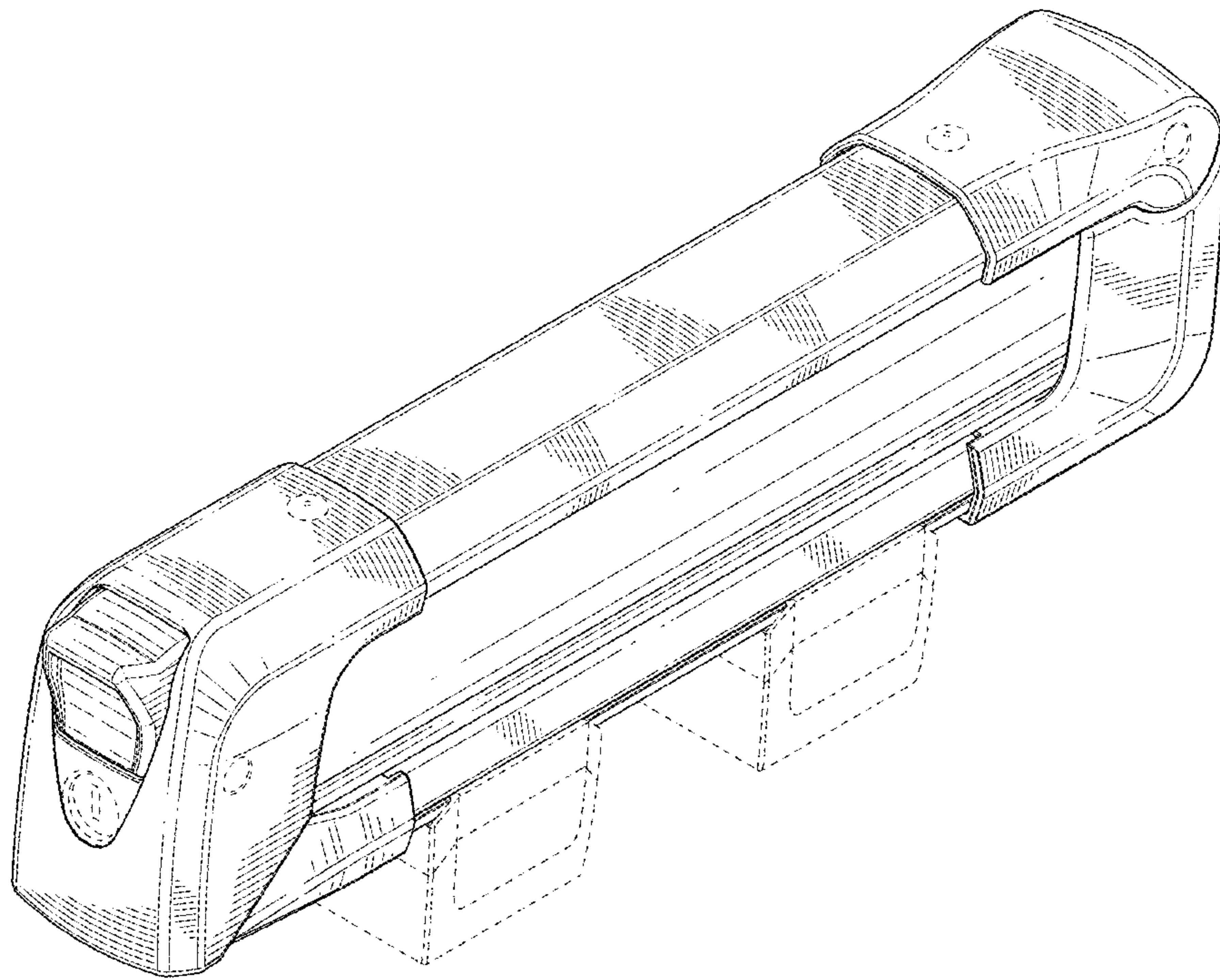


FIG. 1

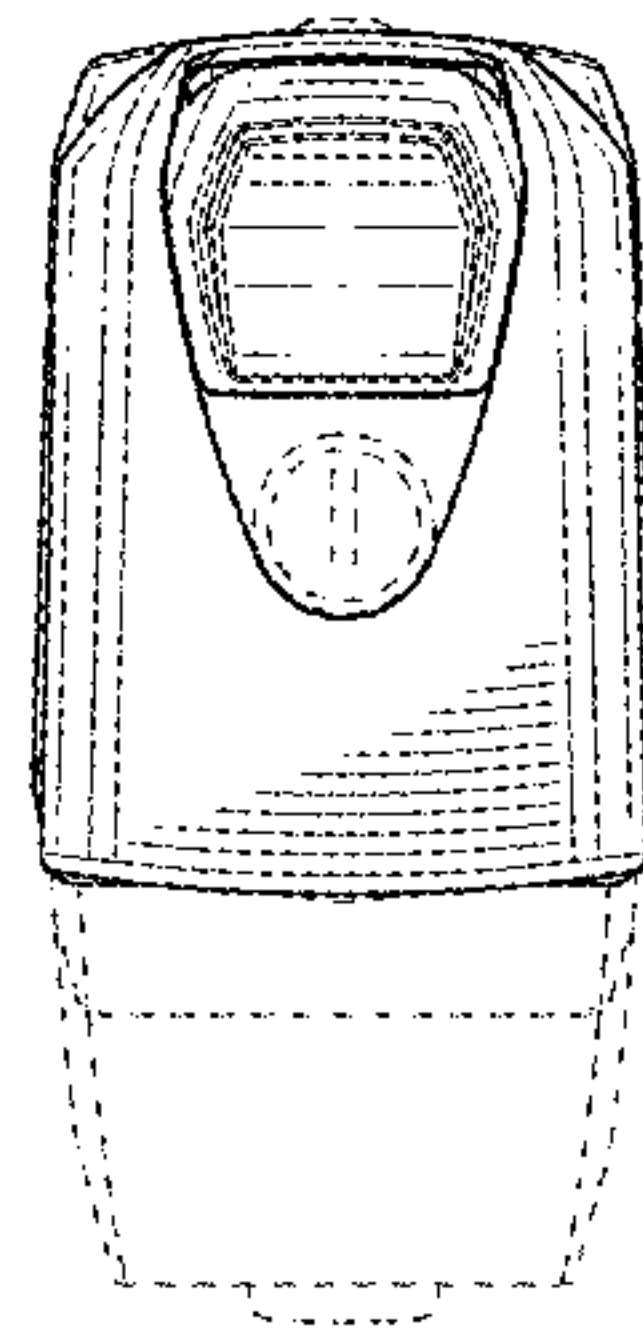


FIG. 2

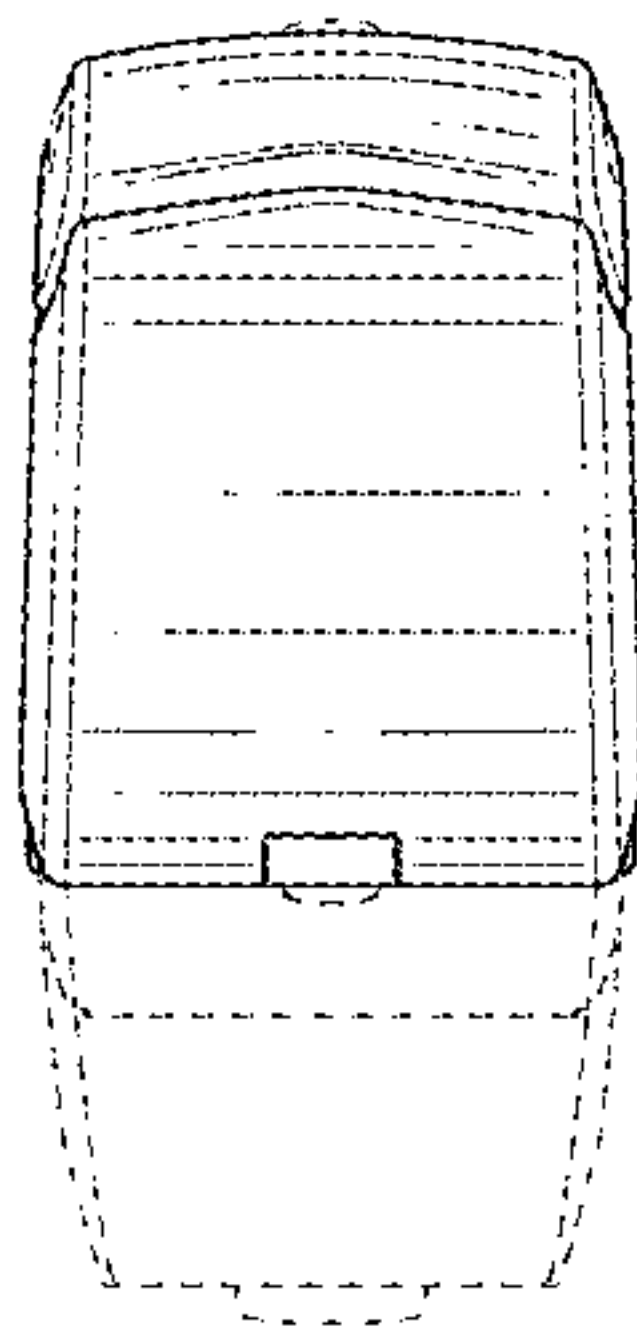


FIG. 3

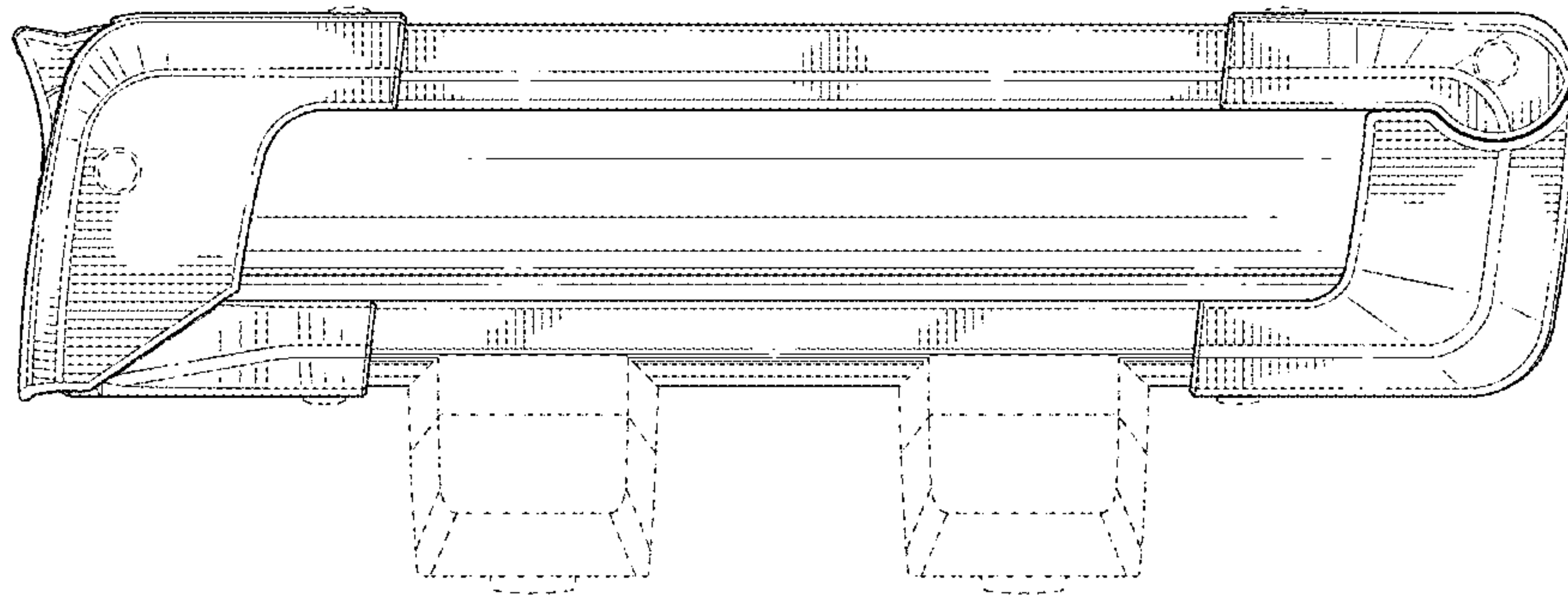


FIG. 4



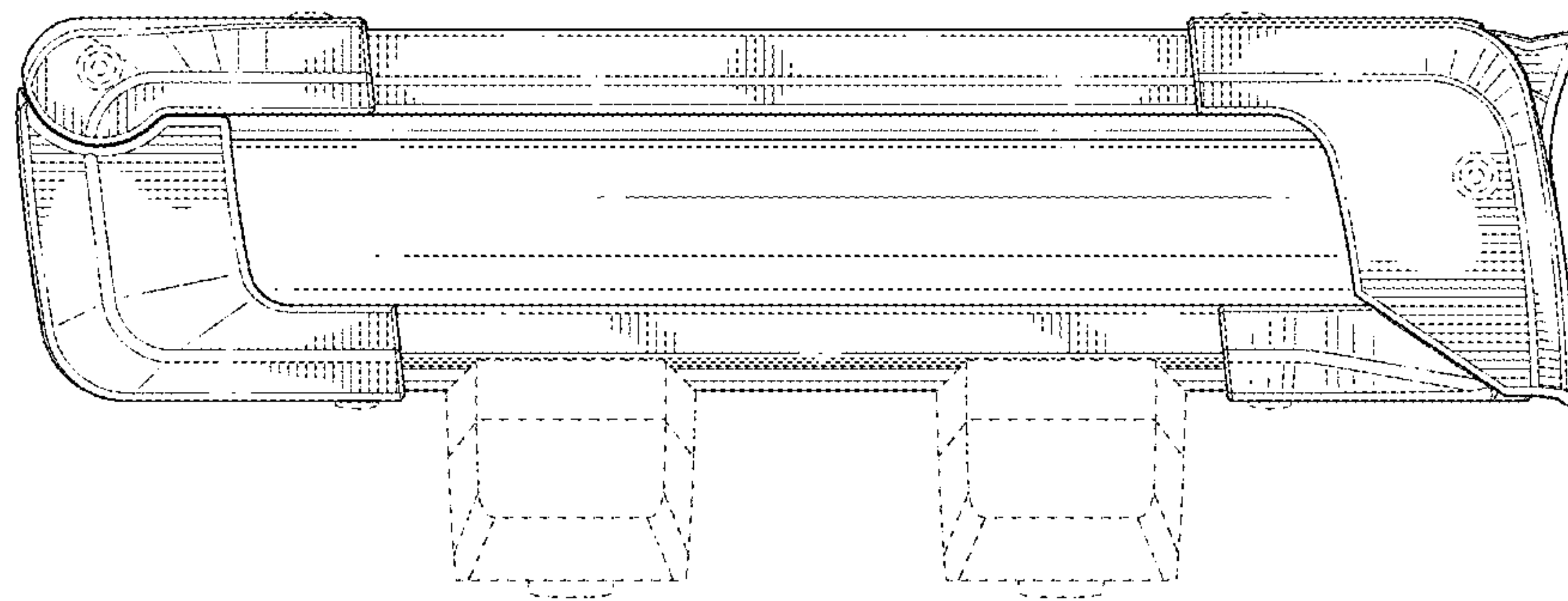


FIG. 5

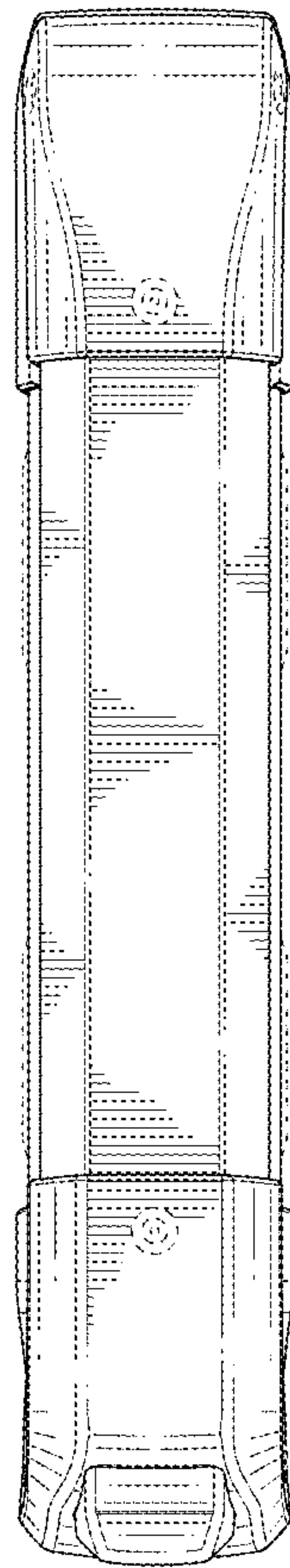


FIG. 6



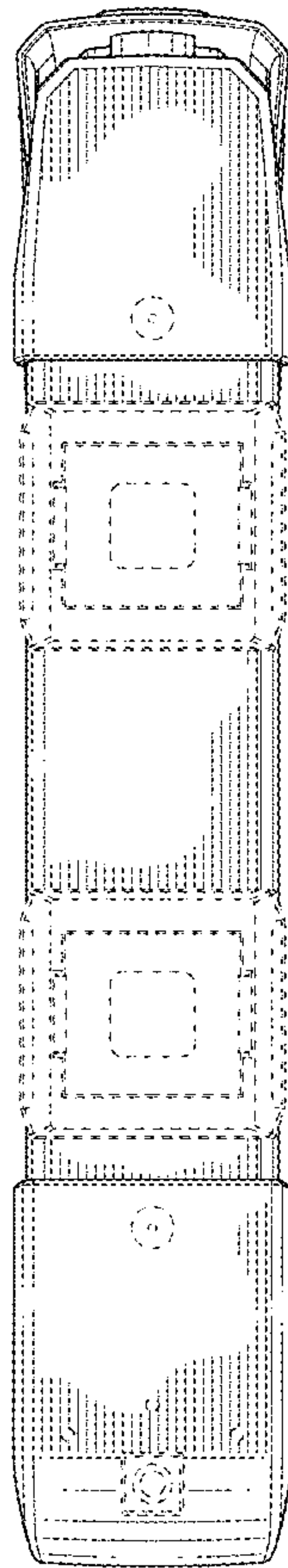


FIG. 7

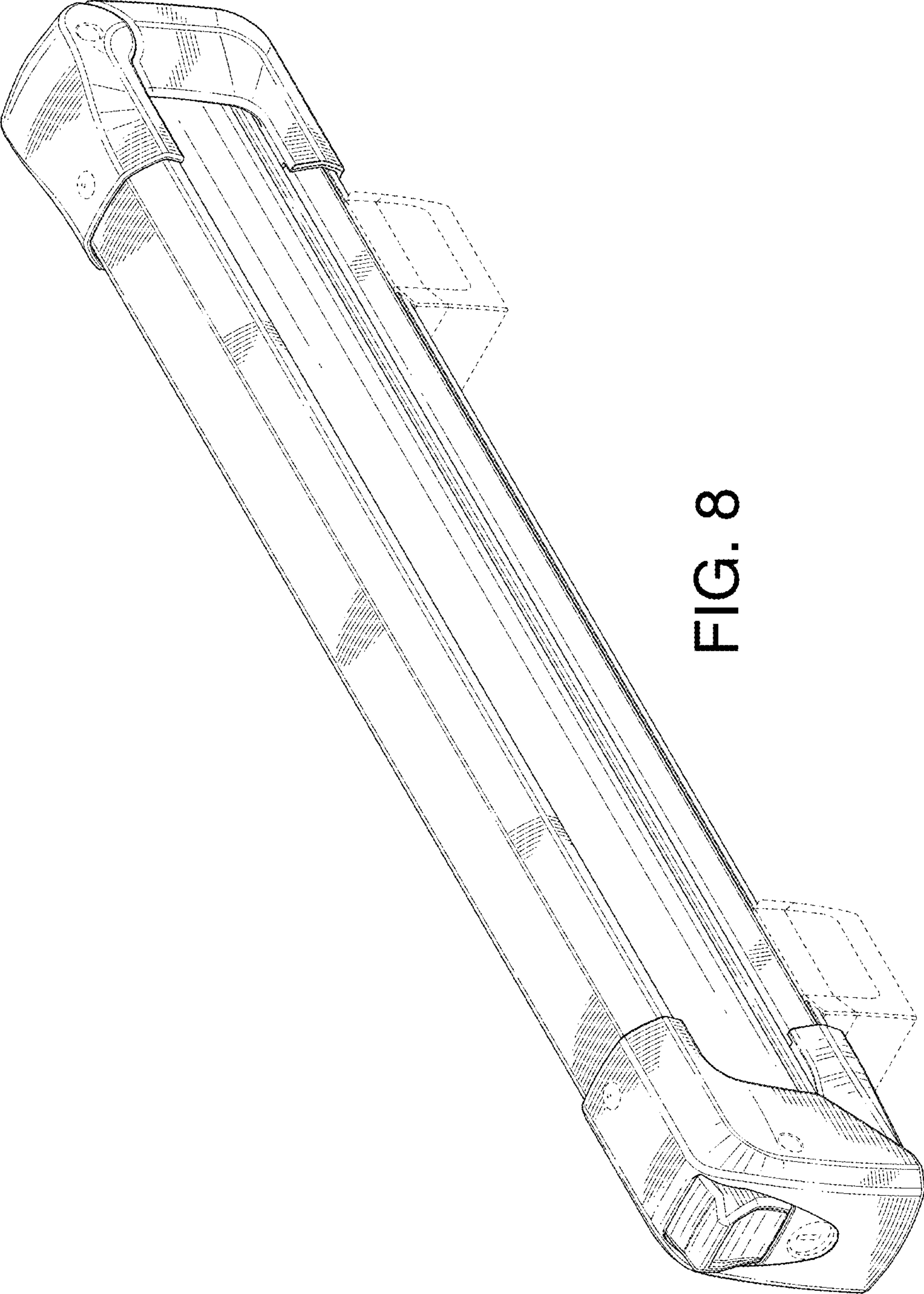


FIG. 8

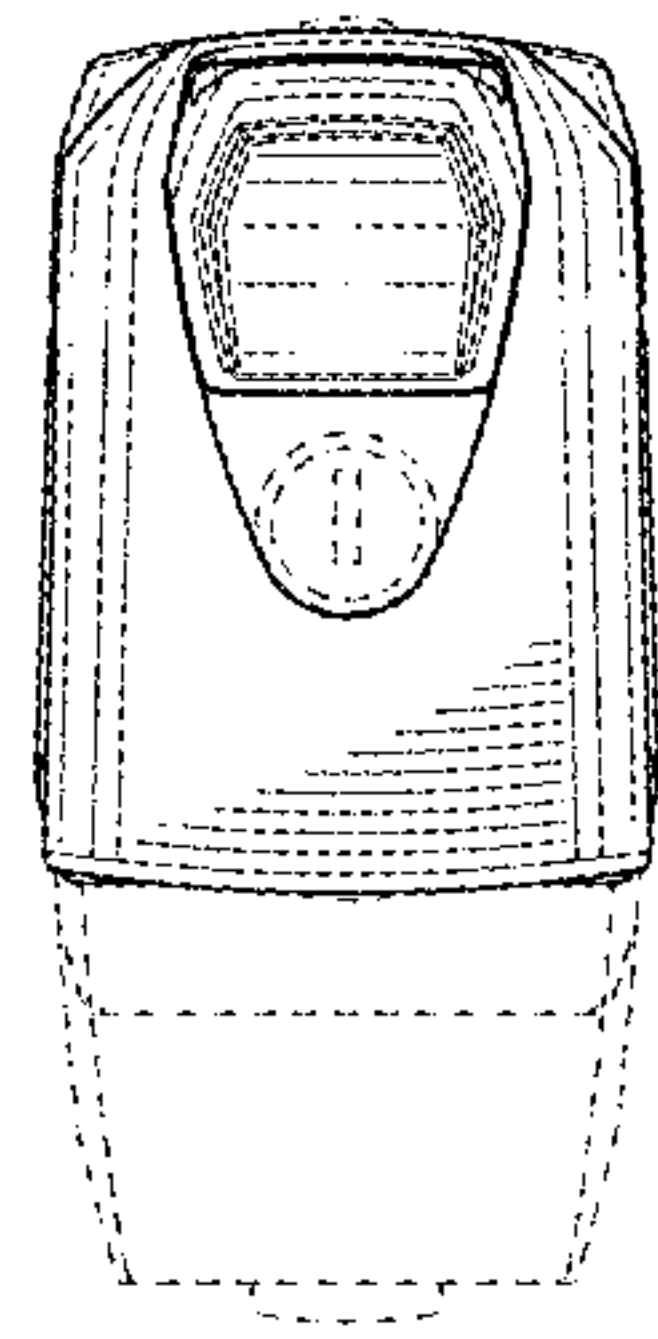


FIG. 9

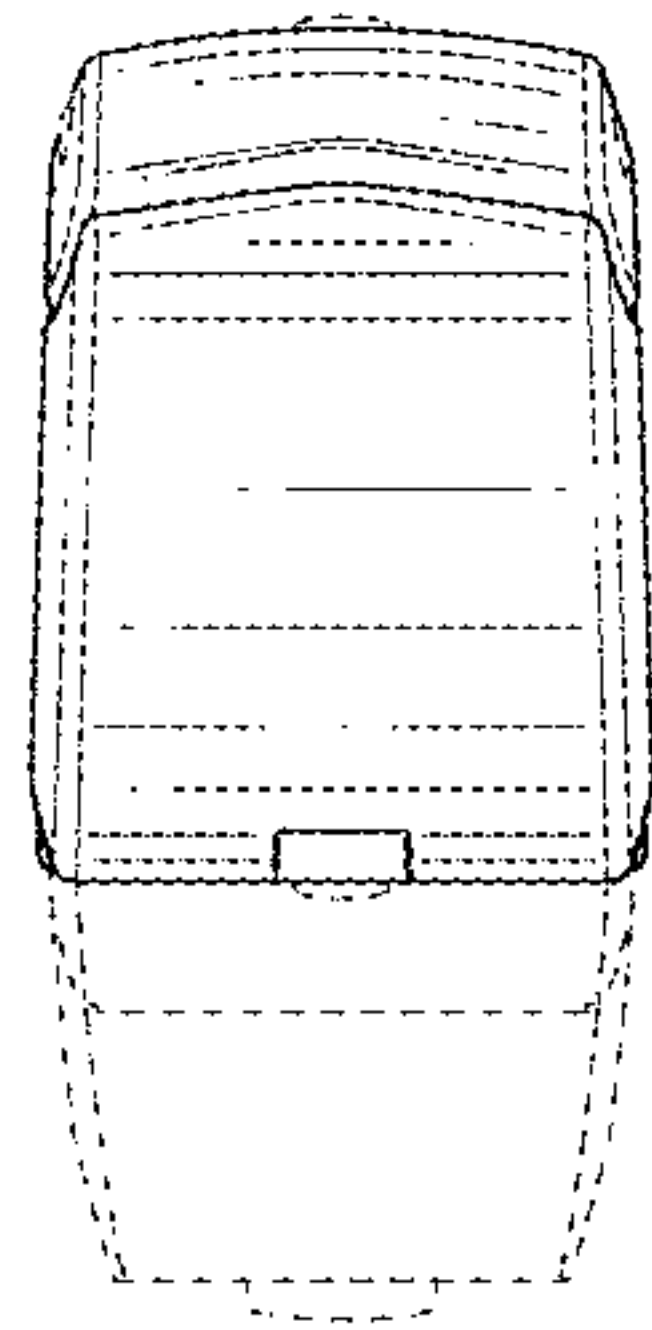


FIG. 10

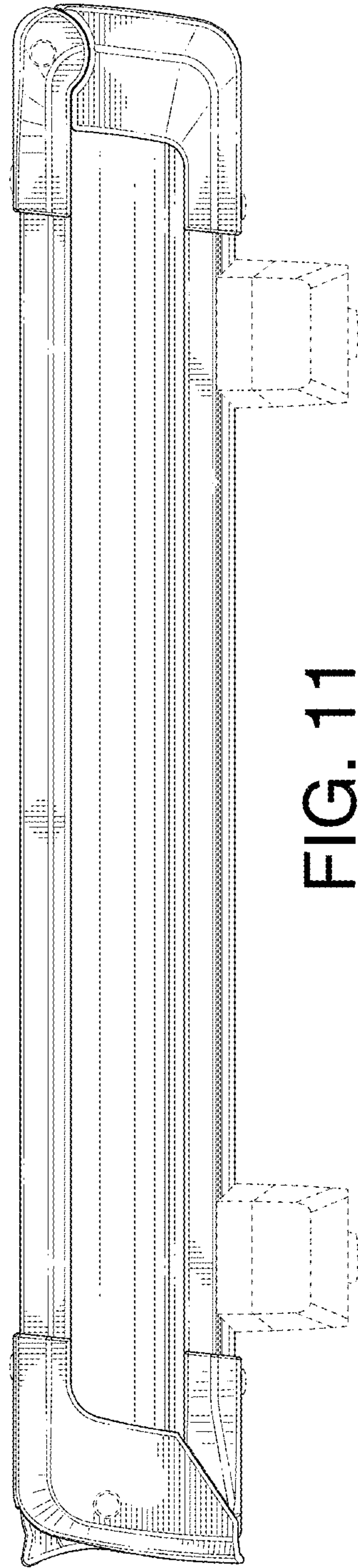


FIG. 11

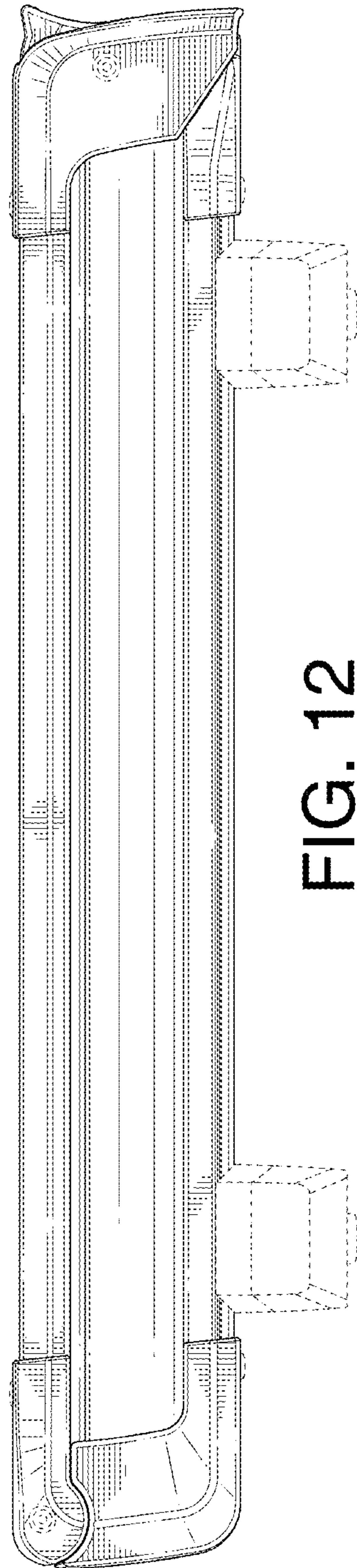


FIG. 12

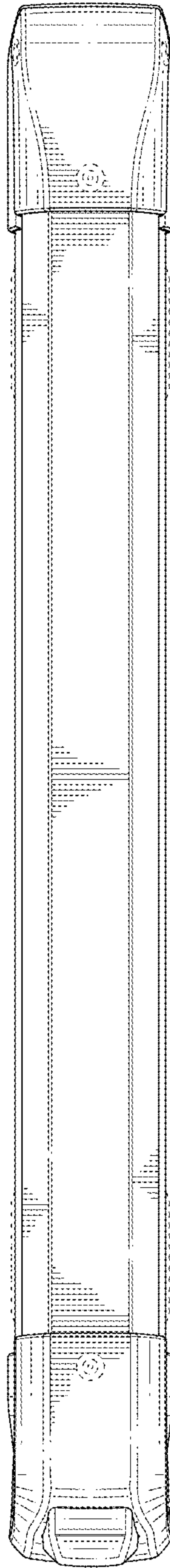


FIG. 13



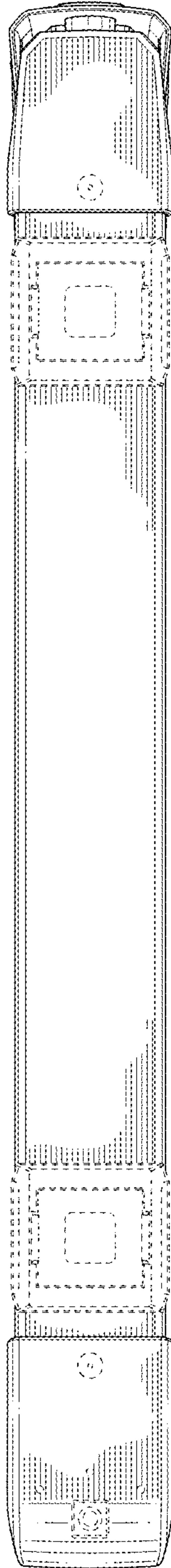


FIG. 14

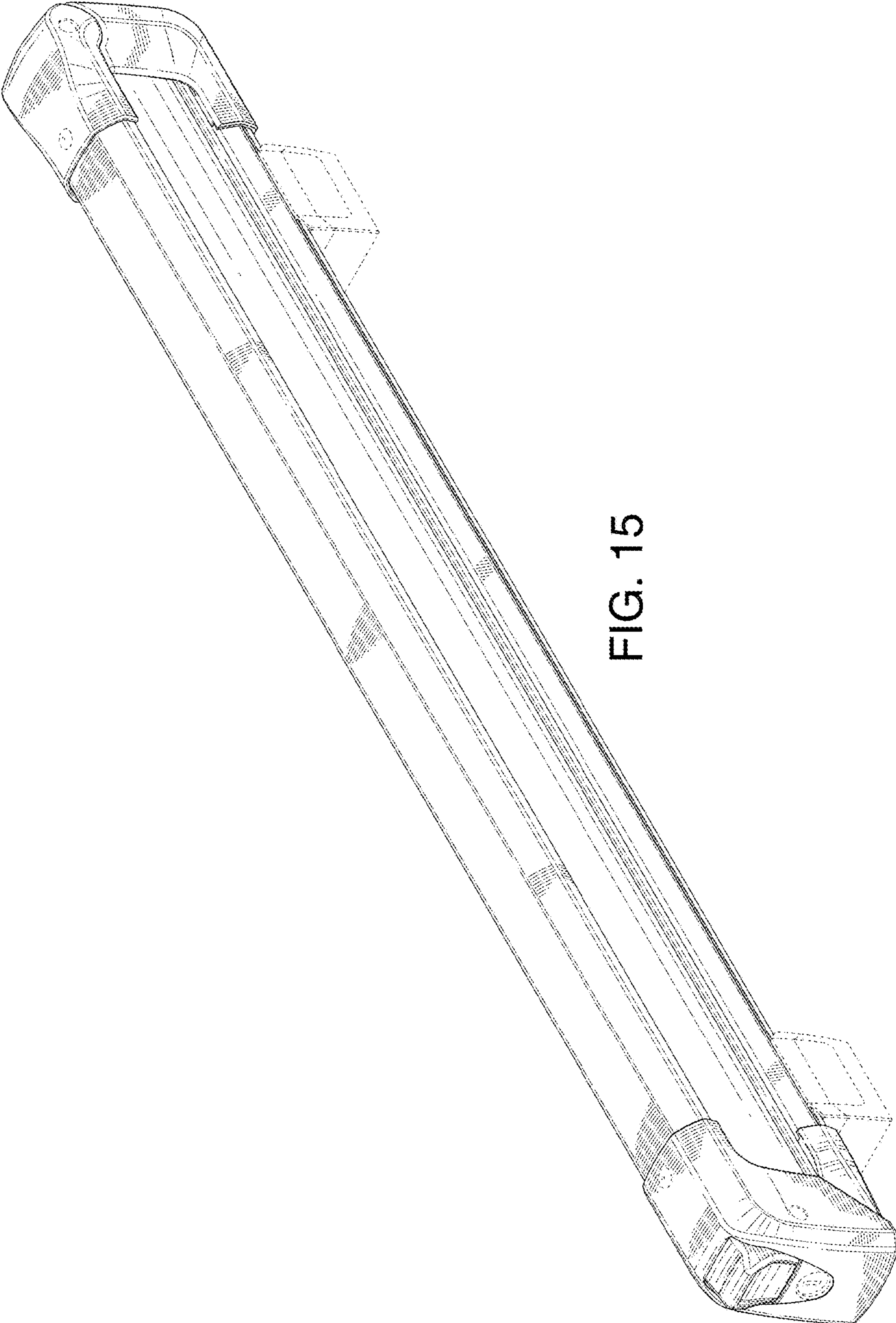


FIG. 15

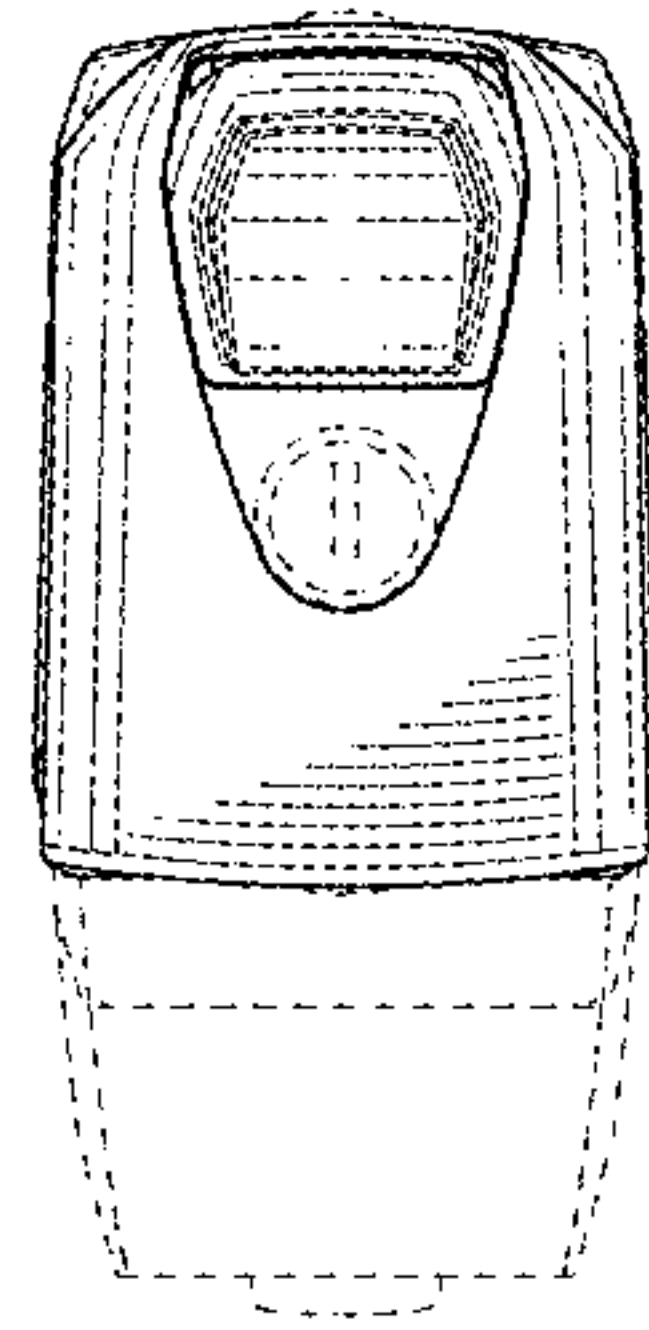


FIG. 16

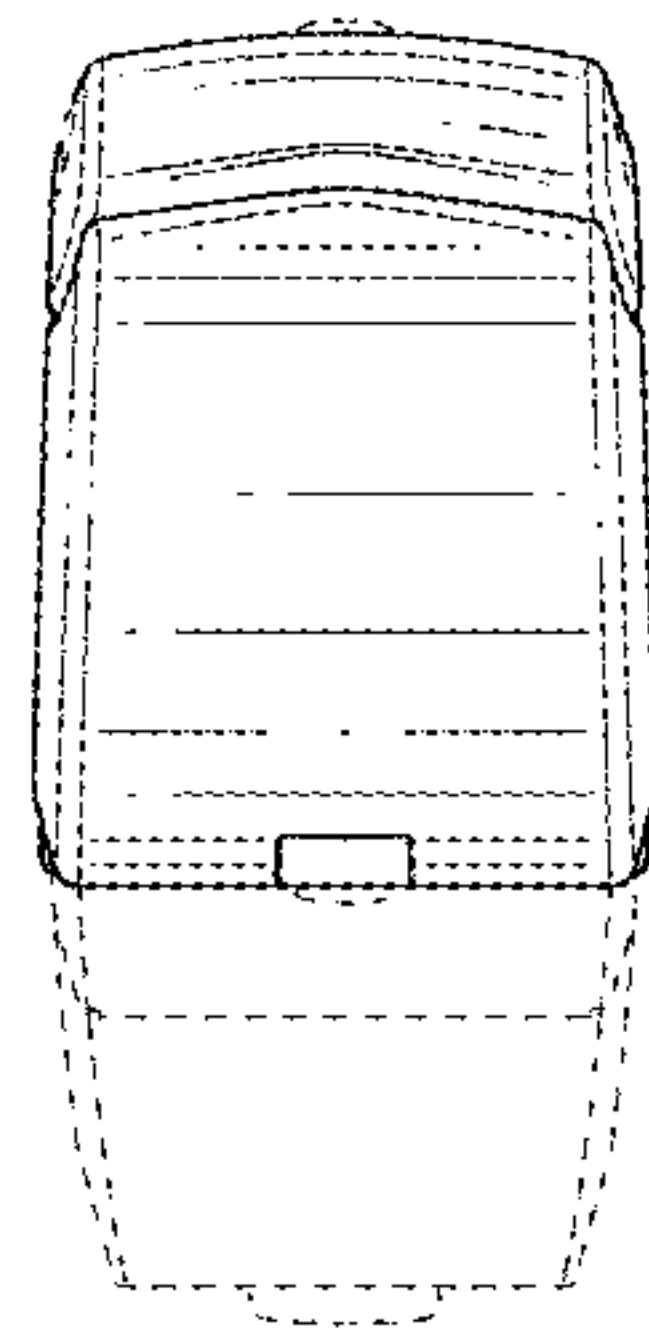


FIG. 17

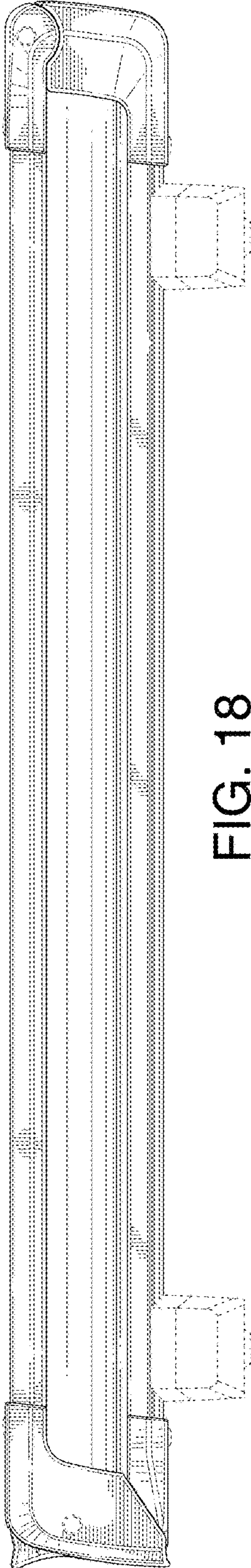


FIG. 18

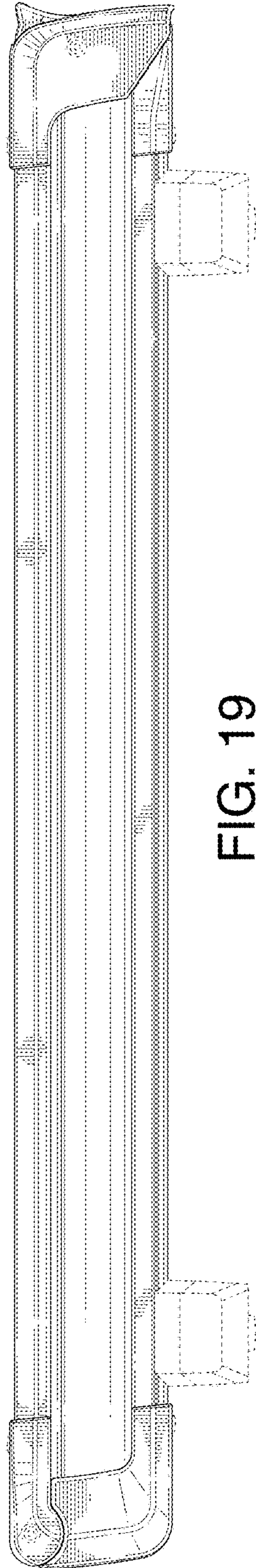


FIG. 19



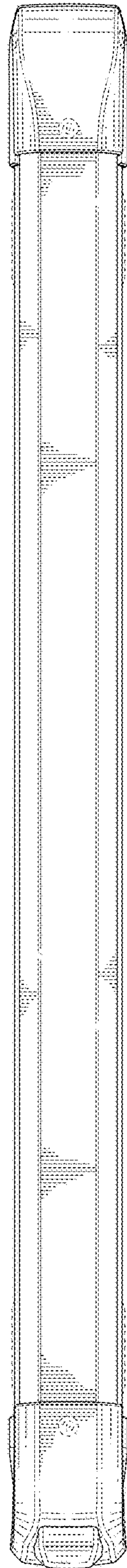


FIG. 20



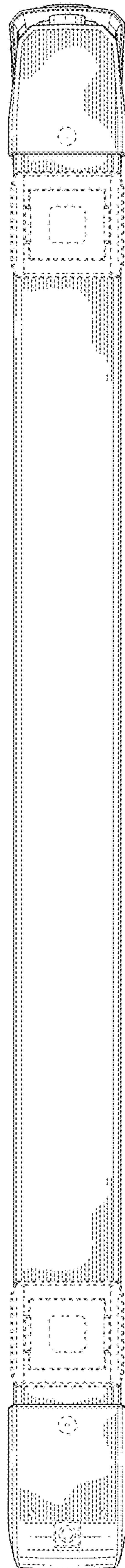


FIG. 21

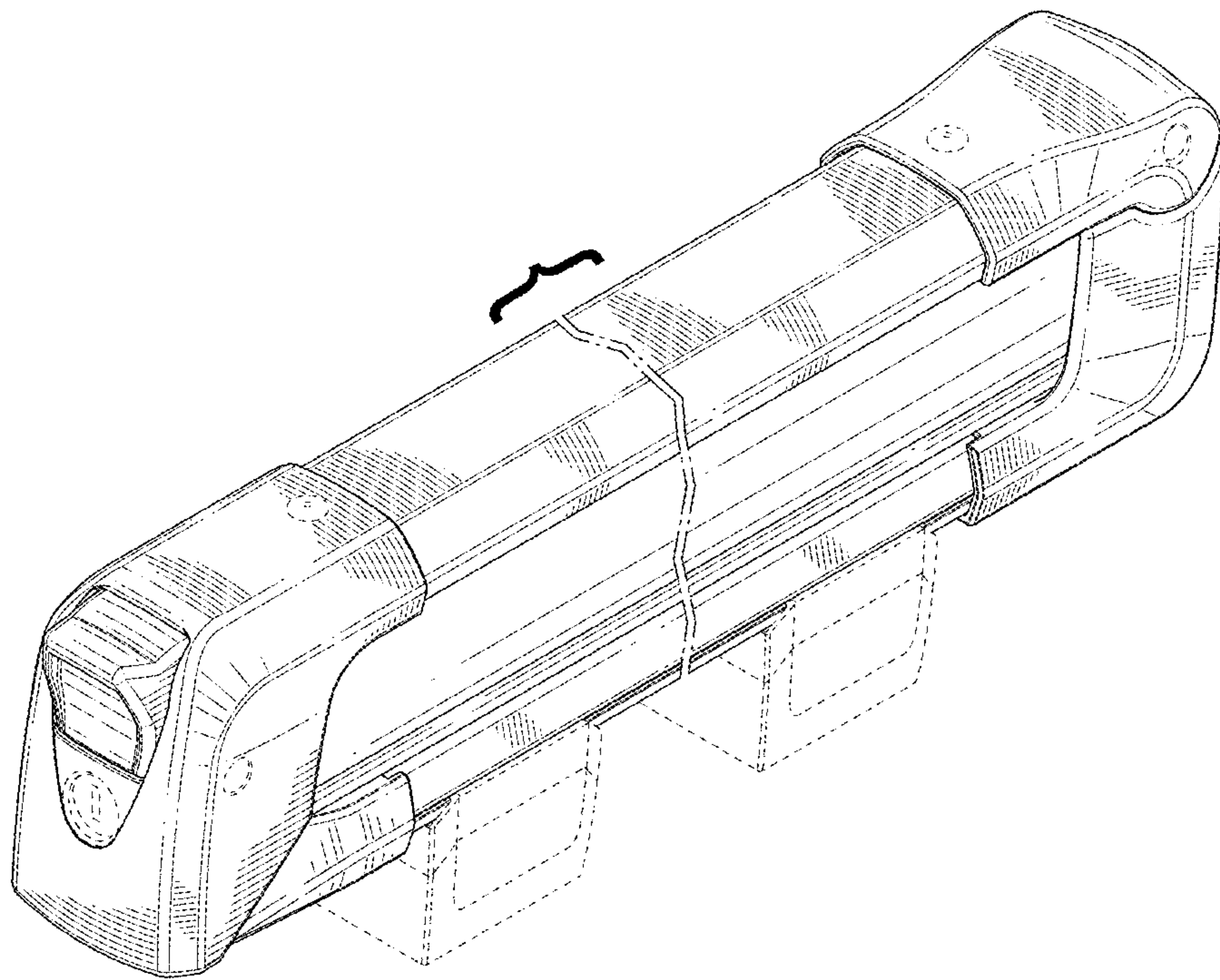


FIG. 22

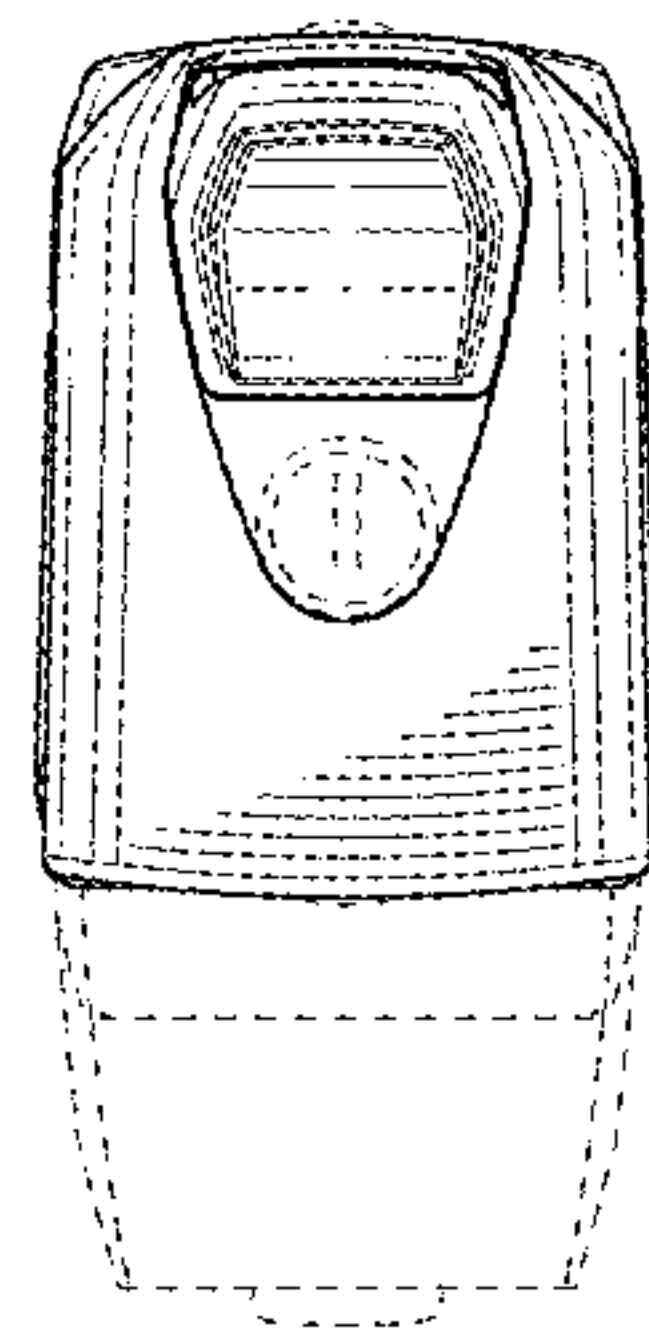


FIG. 23

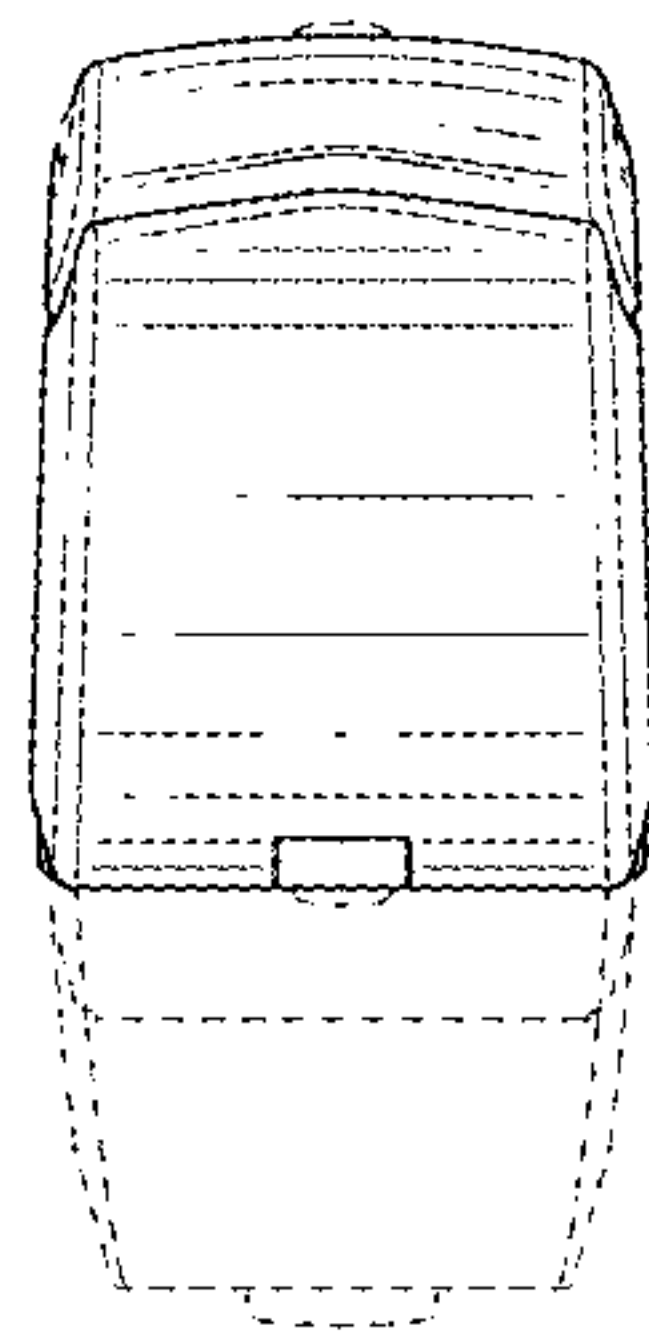


FIG. 24

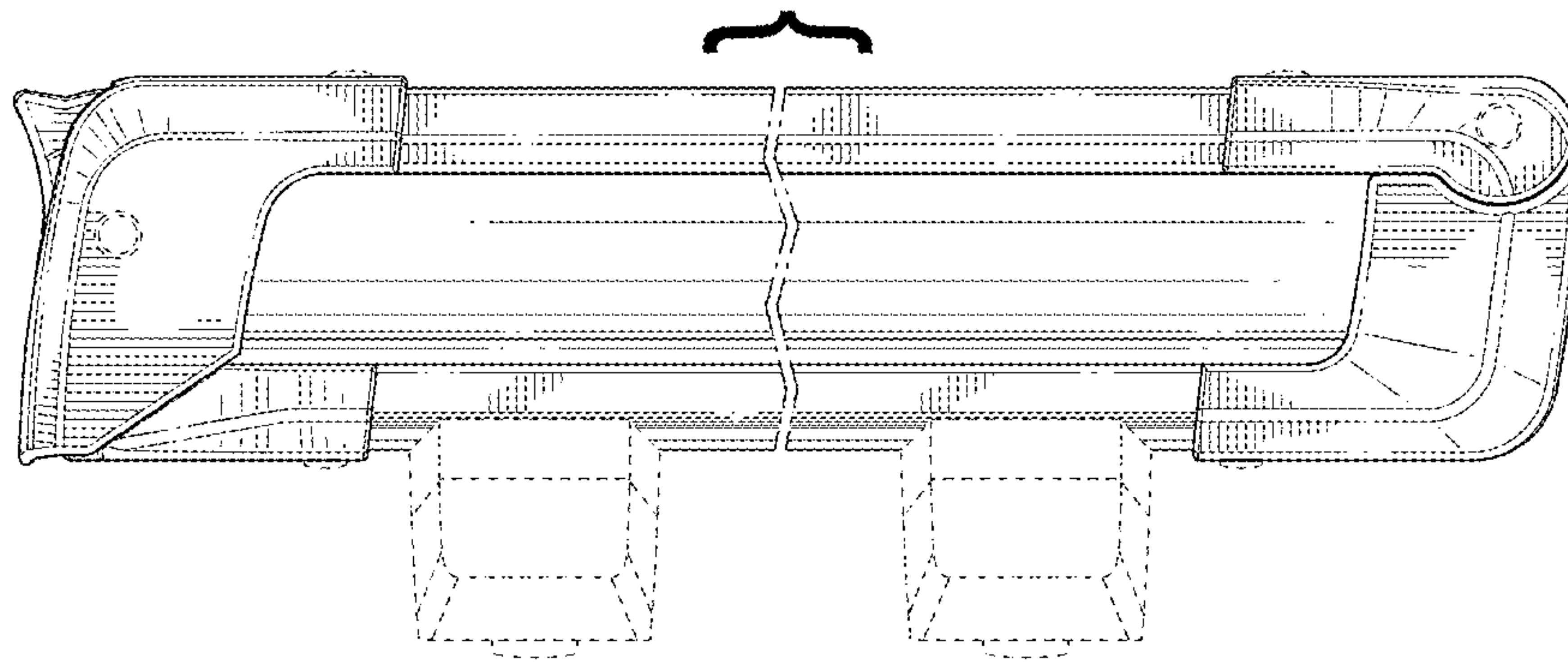


FIG. 25

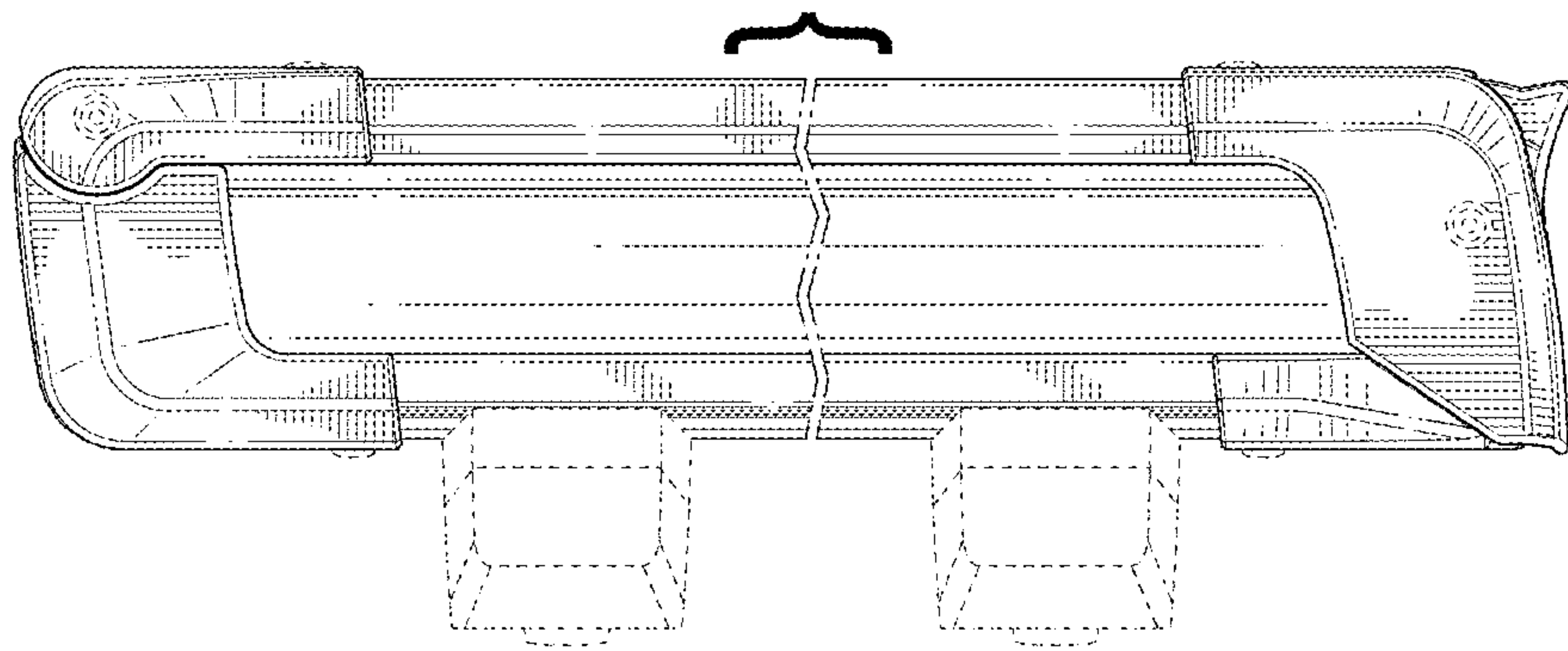


FIG. 26

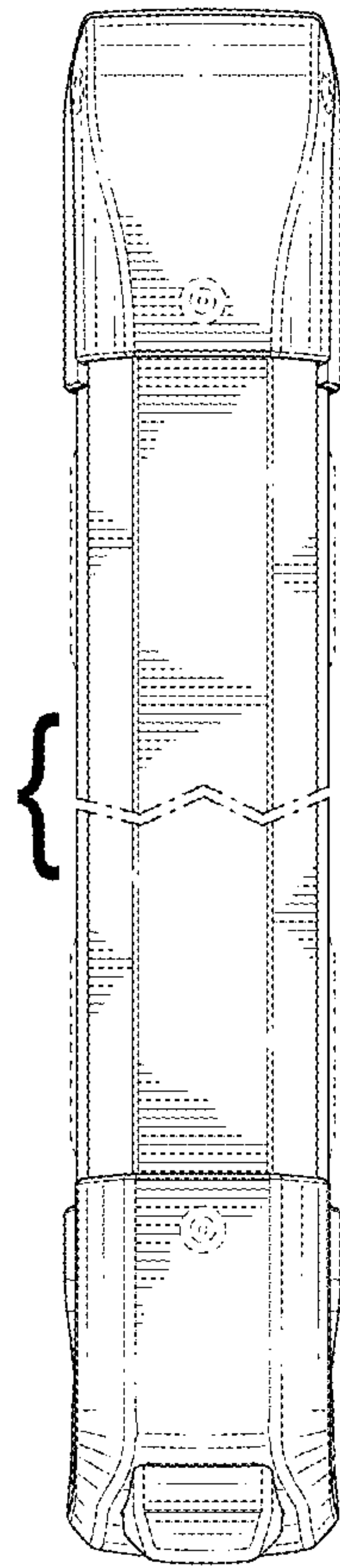


FIG. 27



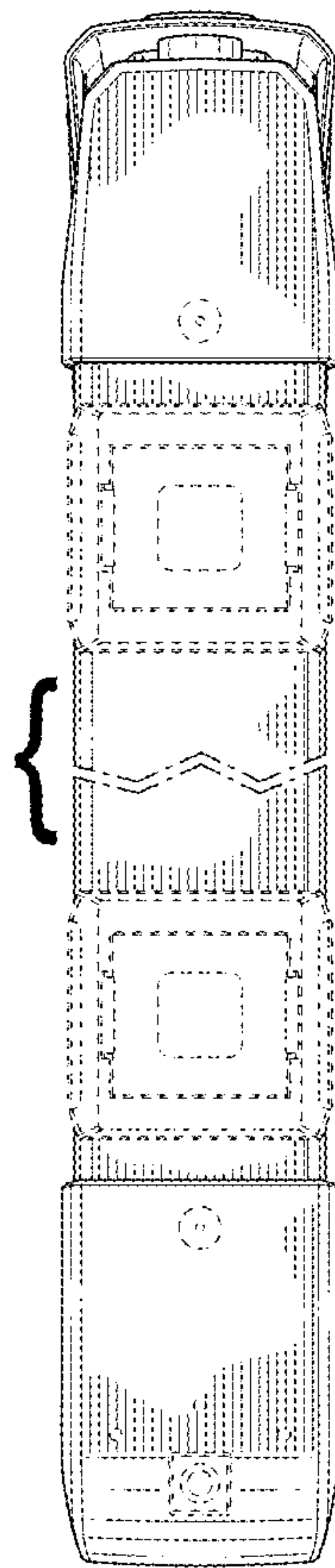


FIG. 28