



US00D778223S

(12) **United States Design Patent**  
**Chu et al.**

(10) **Patent No.:** **US D778,223 S**

(45) **Date of Patent:** **\*\* Feb. 7, 2017**

(54) **WHEEL OR WHEEL COVER**

(71) Applicant: **Daimler AG**, Stuttgart (DE)

(72) Inventors: **Edgar Chu**, Stuttgart (DE); **Bernhard Hans**, Kirchberg (DE)

(73) Assignee: **Daimler AG**, Stuttgart (DE)

(\*\*) Term: **15 Years**

(21) Appl. No.: **29/528,496**

(22) Filed: **May 29, 2015**

(30) **Foreign Application Priority Data**

Dec. 1, 2014 (EM) ..... 002588335-0005

(51) **LOC (10) Cl.** ..... **12-16**

(52) **U.S. Cl.**  
USPC ..... **D12/211**

(58) **Field of Classification Search**  
USPC ..... D12/204–213

CPC ..... B60B 7/00; B60B 7/02; B60B 7/04;  
B60B 7/01; B60B 7/06; B60B 3/02; B60B  
3/04; B60B 3/06; B60B 3/10; B60B 1/00;  
B60B 1/08; B60B 1/10; B60B 1/12

See application file for complete search history.

(56) **References Cited**

**U.S. PATENT DOCUMENTS**

D348,243 S \* 6/1994 Echazabal ..... D12/211  
D395,270 S \* 6/1998 Baumgartner ..... D12/211  
D398,898 S \* 9/1998 Baumgartner ..... D12/211  
D405,409 S \* 2/1999 Baumgartner ..... D12/211  
D406,092 S \* 2/1999 Baumgartner ..... D12/211  
D410,426 S \* 6/1999 Frizzi ..... D12/211  
D430,526 S \* 9/2000 Fitzgerald ..... D12/211  
D461,441 S \* 8/2002 Hartanto ..... D12/211

D472,865 S \* 4/2003 Wechner ..... D12/211  
D516,988 S \* 3/2006 Laengerer ..... D12/211  
D523,799 S \* 6/2006 Ianniello ..... D12/209  
D527,327 S \* 8/2006 Laengerer ..... D12/211  
D532,355 S \* 11/2006 Baumgartner ..... D12/211  
D533,825 S \* 12/2006 Baumgartner ..... D12/211  
D534,473 S \* 1/2007 Bernoni ..... D12/211  
D537,767 S \* 3/2007 Pfeiffer ..... D12/211  
D541,202 S \* 4/2007 Baumgartner ..... D12/211  
D547,251 S \* 7/2007 Baum ..... D12/209  
D553,069 S \* 10/2007 Ettensberger ..... D12/211  
D595,632 S \* 7/2009 Hernandez ..... D12/211  
D606,922 S \* 12/2009 Thorsten ..... D12/211  
D614,112 S \* 4/2010 Tant ..... D12/211  
D622,196 S \* 8/2010 Gallert ..... D12/209  
D622,199 S \* 8/2010 Gallert ..... D12/211  
D630,992 S \* 1/2011 Cortes ..... D12/211  
D635,081 S \* 3/2011 Tirado ..... D12/211

(Continued)

*Primary Examiner* — Stacia Cadmus

(74) *Attorney, Agent, or Firm* — Crowell & Moring LLP

(57) **CLAIM**

The ornamental design for a wheel or wheel cover, as shown and described.

**DESCRIPTION**

This application contains subject matter related to the following co-pending U.S. design patent application:

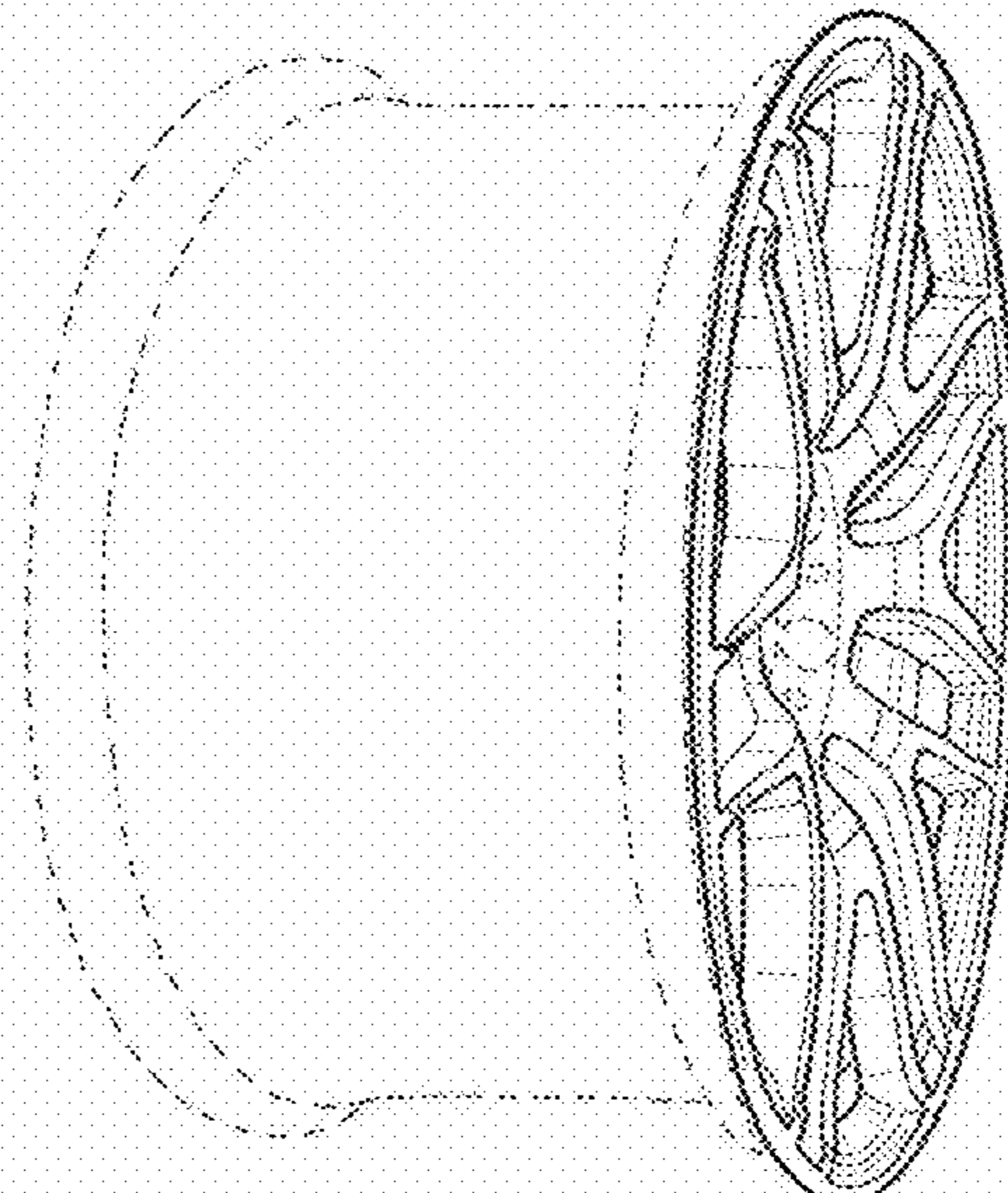
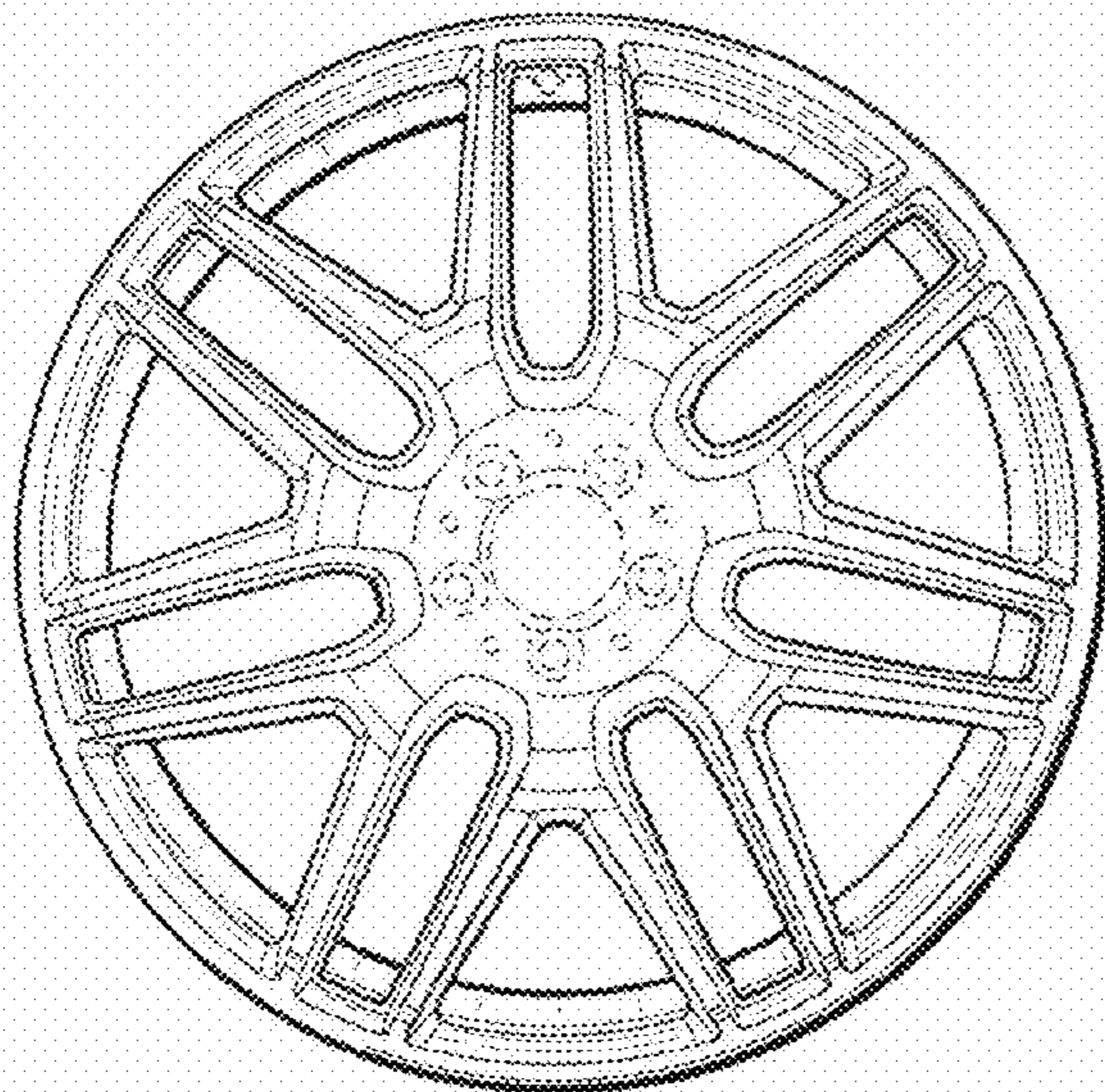
Application Ser. No. 29/491,700, filed May 23, 2014 and entitled “Wheel or Wheel Cover.”

FIG. 1 is a front view of a wheel or wheel cover according to the design; and,

FIG. 2 is a perspective view thereof.

The broken line showing of the rear of the wheel, the bolt holes, the tire air inlet hole, and the center hole in the central hub area is included for the purpose of illustrating environment and forms no part of the claimed design.

**1 Claim, 1 Drawing Sheet**



(56)

**References Cited**

U.S. PATENT DOCUMENTS

D636,320	S	*	4/2011	Lamm .....	D12/211
D638,340	S	*	5/2011	Park .....	D12/209
D726,087	S	*	4/2015	Breyton .....	D12/211
D727,827	S	*	4/2015	Chung .....	D12/211
D735,630	S	*	8/2015	Swanseger .....	D12/209
D753,042	S	*	4/2016	Wheel .....	D12/209
D756,282	S	*	5/2016	Zhao .....	D12/209
D757,627	S	*	5/2016	Chung .....	D12/211
D758,274	S	*	6/2016	Breyton .....	D12/209
D760,142	S	*	6/2016	Chu .....	D12/211

\* cited by examiner

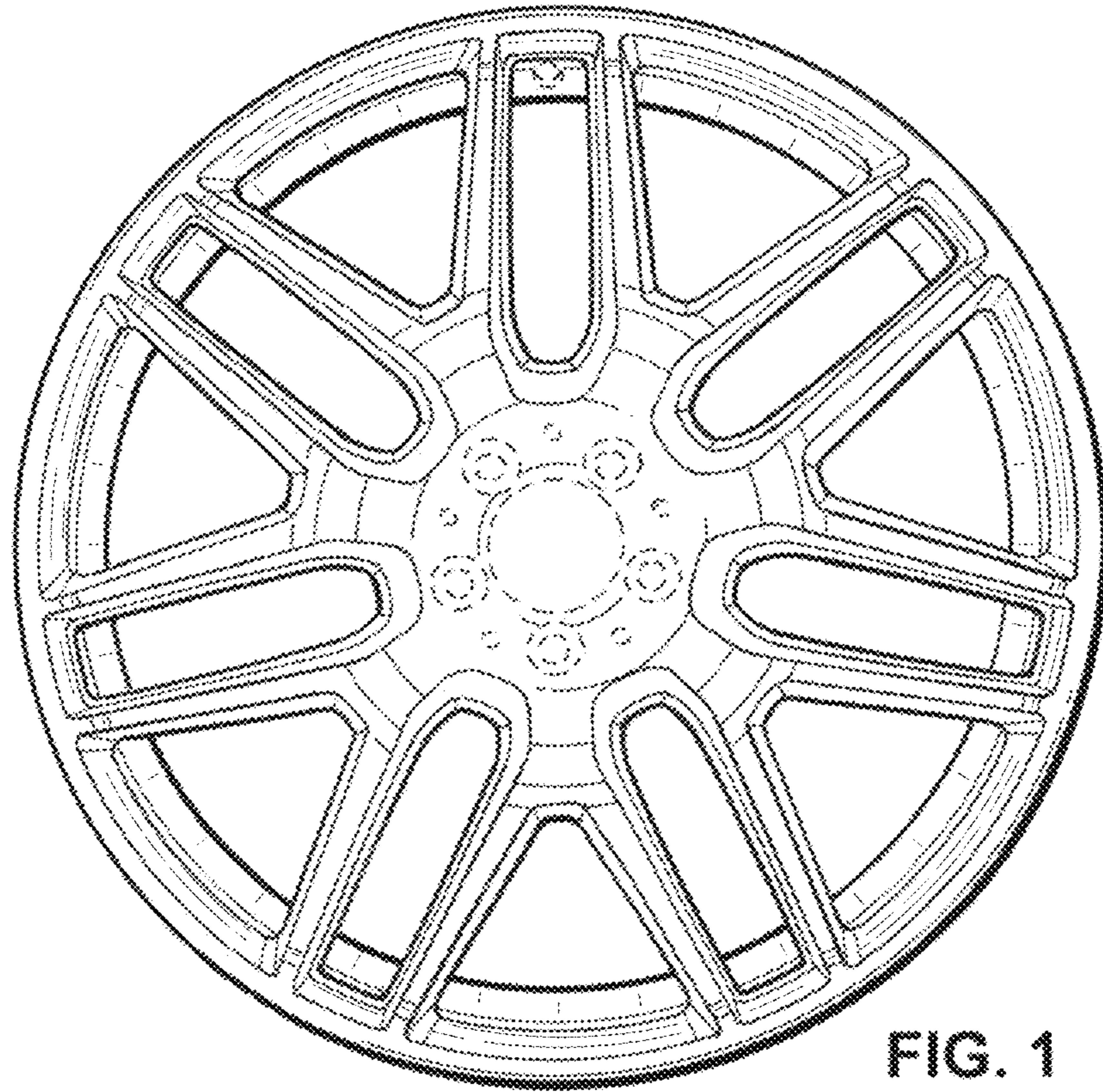


FIG. 1

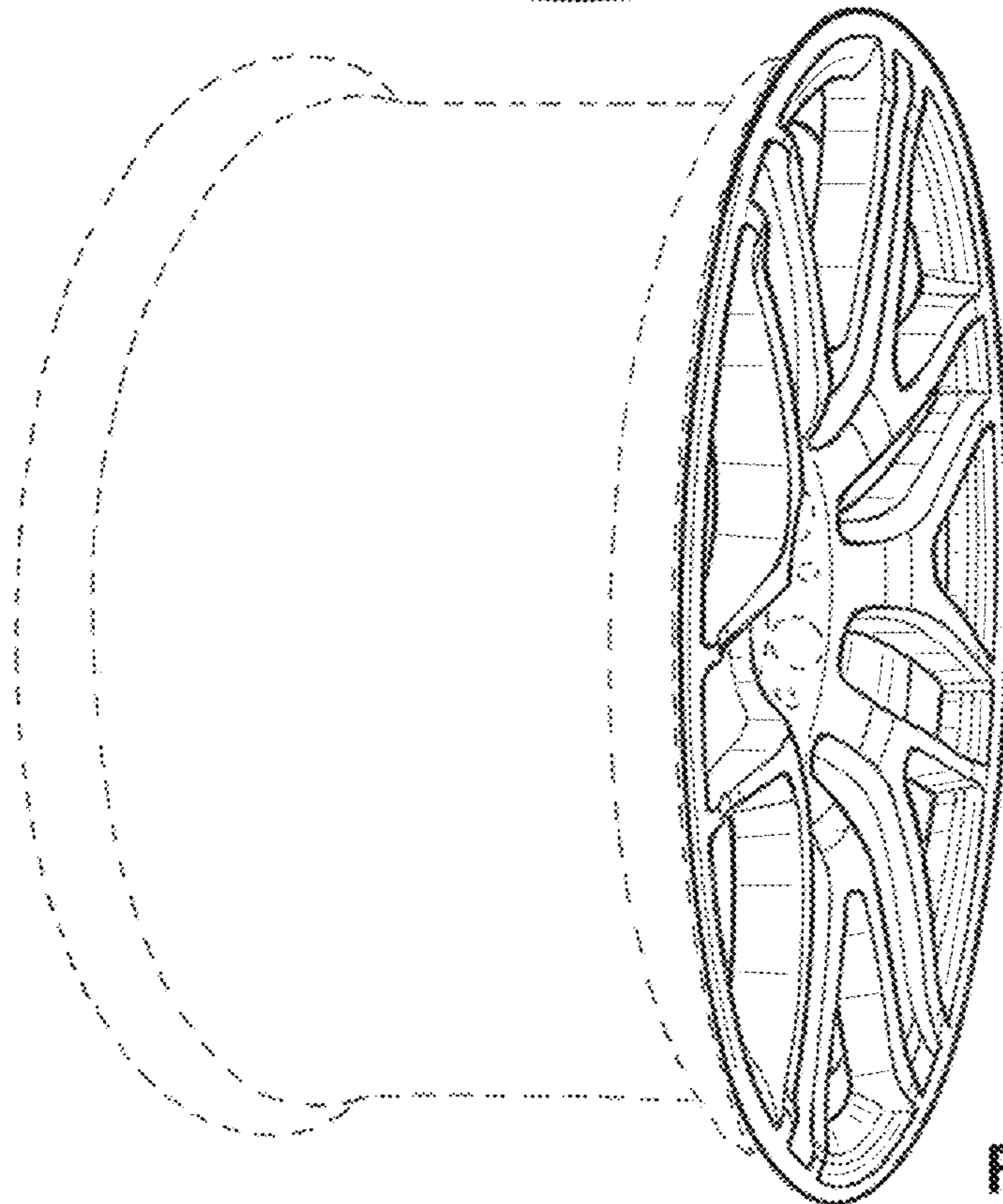


FIG. 2