



US00D778222S

(12) **United States Design Patent**
Chung

(10) **Patent No.:** **US D778,222 S**

(45) **Date of Patent:** **** Feb. 7, 2017**

(54) **AUTOMOTIVE WHEEL**

(71) Applicant: **Suny Chung**, Anaheim, CA (US)

(72) Inventor: **Suny Chung**, Anaheim, CA (US)

(**) Term: **14 Years**

(21) Appl. No.: **29/501,509**

(22) Filed: **Sep. 4, 2014**

(51) **LOC (10) Cl.** **12-16**

(52) **U.S. Cl.**
USPC **D12/211**

(58) **Field of Classification Search**
USPC D12/204–213
CPC B60B 7/00; B60B 7/02; B60B 7/04;
B60B 7/01; B60B 7/06; B60B 3/02; B60B
3/04; B60B 3/06; B60B 3/10; B60B 1/00;
B60B 1/08; B60B 1/10; B60B 1/12
See application file for complete search history.

(56) **References Cited**

U.S. PATENT DOCUMENTS

D361,547 S *	8/1995	Weld	D12/211
D410,618 S *	6/1999	Hussaini et al.	D12/211
D482,308 S *	11/2003	Lee	D12/211
D515,491 S *	2/2006	Elmitt	D12/209
D544,823 S *	6/2007	Hieke	D12/211
D553,550 S *	10/2007	Tirado	D12/211
D582,330 S *	12/2008	Hieke	D12/209
D616,349 S *	5/2010	Kim	D12/209

D621,319 S *	8/2010	Nissl	D12/209
D625,236 S *	10/2010	Hildebrand et al.	D12/209
D630,567 S *	1/2011	Ettensberger	D12/211
D659,071 S *	5/2012	Hale, Jr.	D12/211
D670,633 S *	11/2012	Kato et al.	D12/211
D677,207 S *	3/2013	Gotschke	D12/209
D686,554 S *	7/2013	Pollmann	D12/209
D697,860 S *	1/2014	Borkert	D12/211
D703,603 S *	4/2014	Tirado	D12/211
D706,199 S *	6/2014	Chung	D12/211
D719,076 S *	12/2014	McLeod	D12/211

* cited by examiner

Primary Examiner — Stacia Cadmus

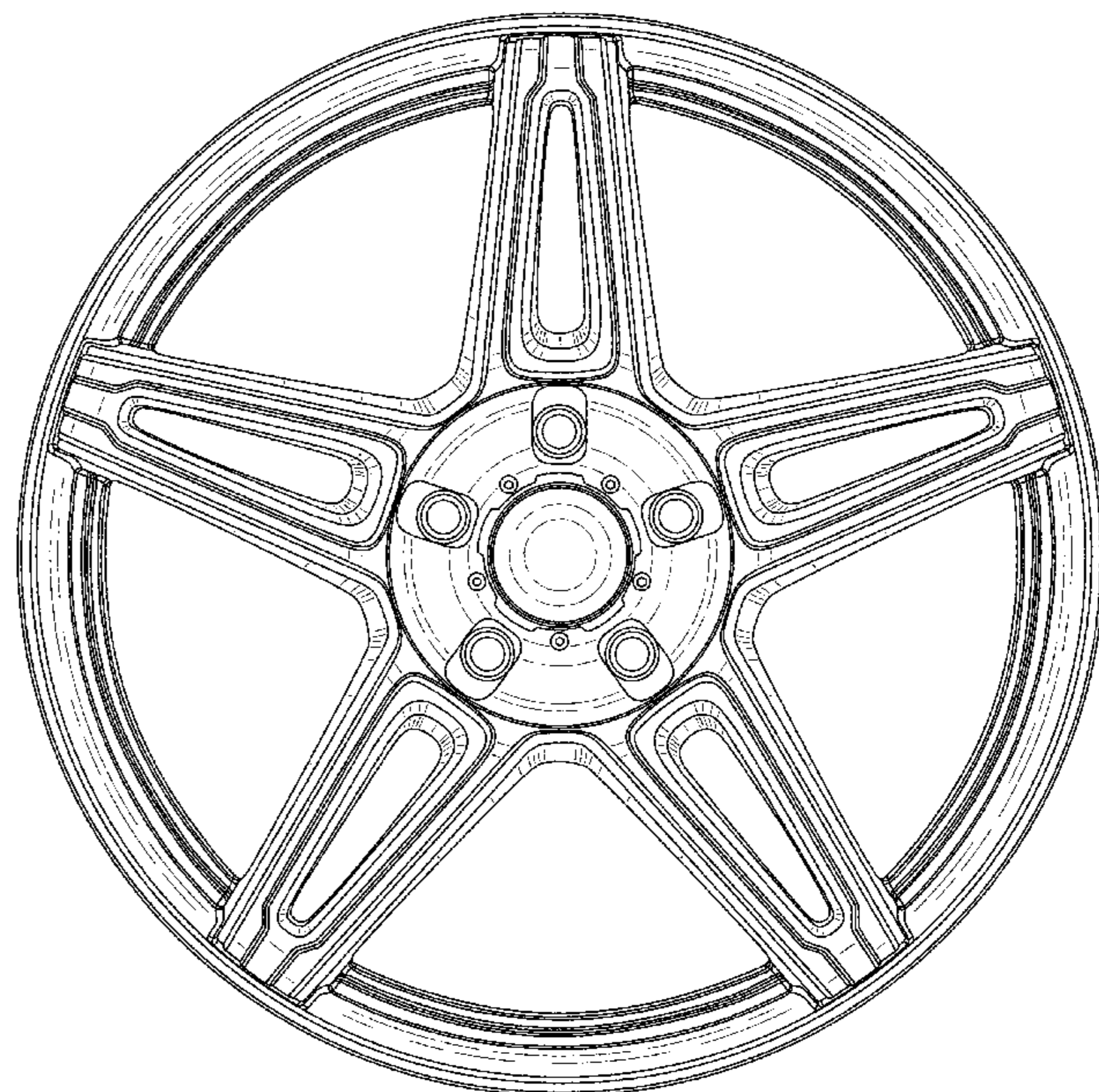
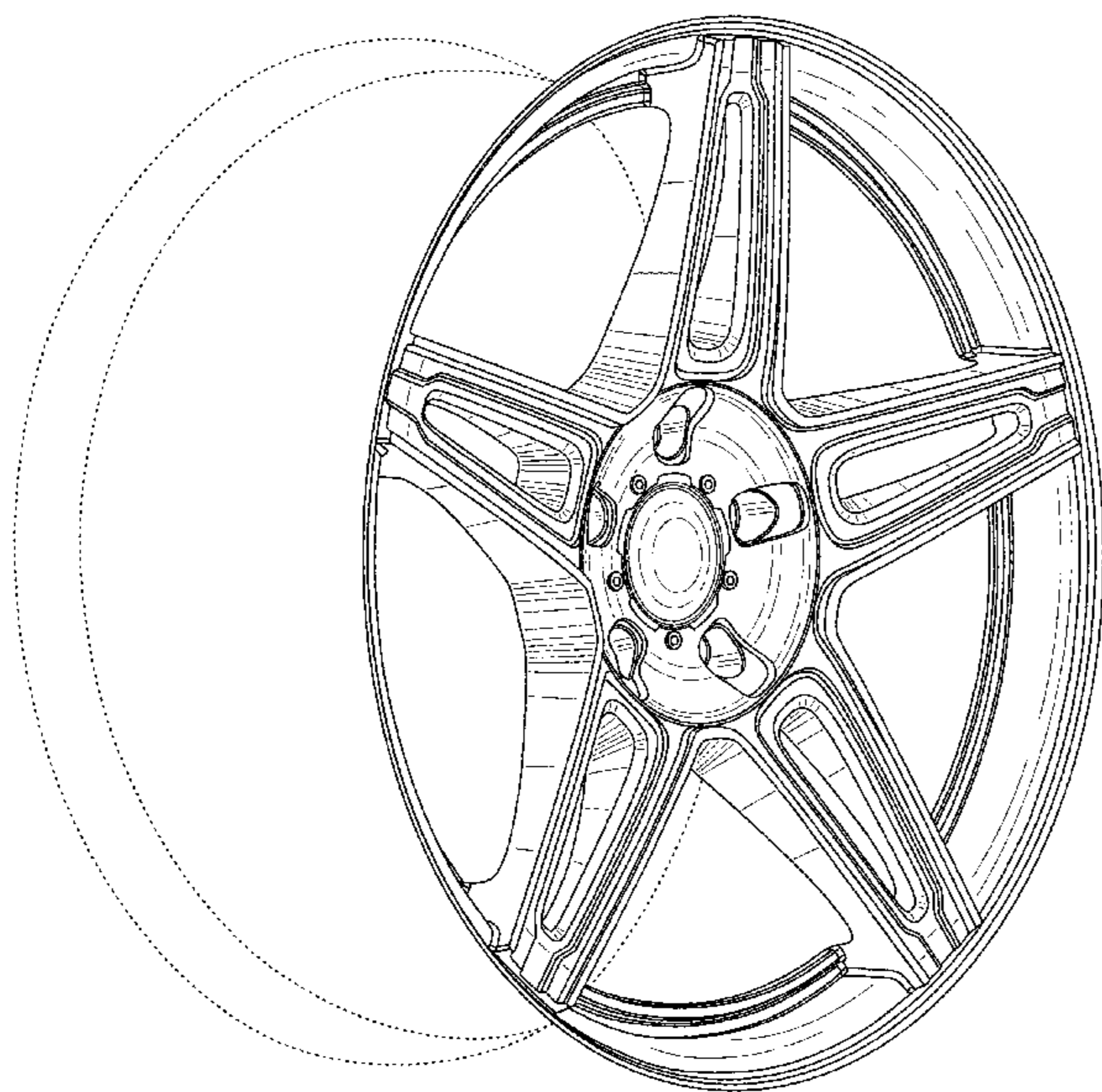
(57) **CLAIM**

The ornamental design for an automotive wheel, as shown and described.

DESCRIPTION

FIG. 1 is a perspective view of an automotive wheel, showing my new design with a 5 lug cap design
FIG. 2 is a front view of FIG. 1
FIG. 3 is an exploded view of a second embodiment of an automotive wheel, showing my new design;
FIG. 4 is a perspective view of FIG. 3 shown with the center cap attached to the wheel;
FIG. 5 is a front view of FIG. 4; and,
FIG. 6 is an exploded view of FIG. 1.
The broken line showing of the rear portion of the wheel is included for the purpose of illustrating environment and forms no part of the claimed design.

1 Claim, 6 Drawing Sheets



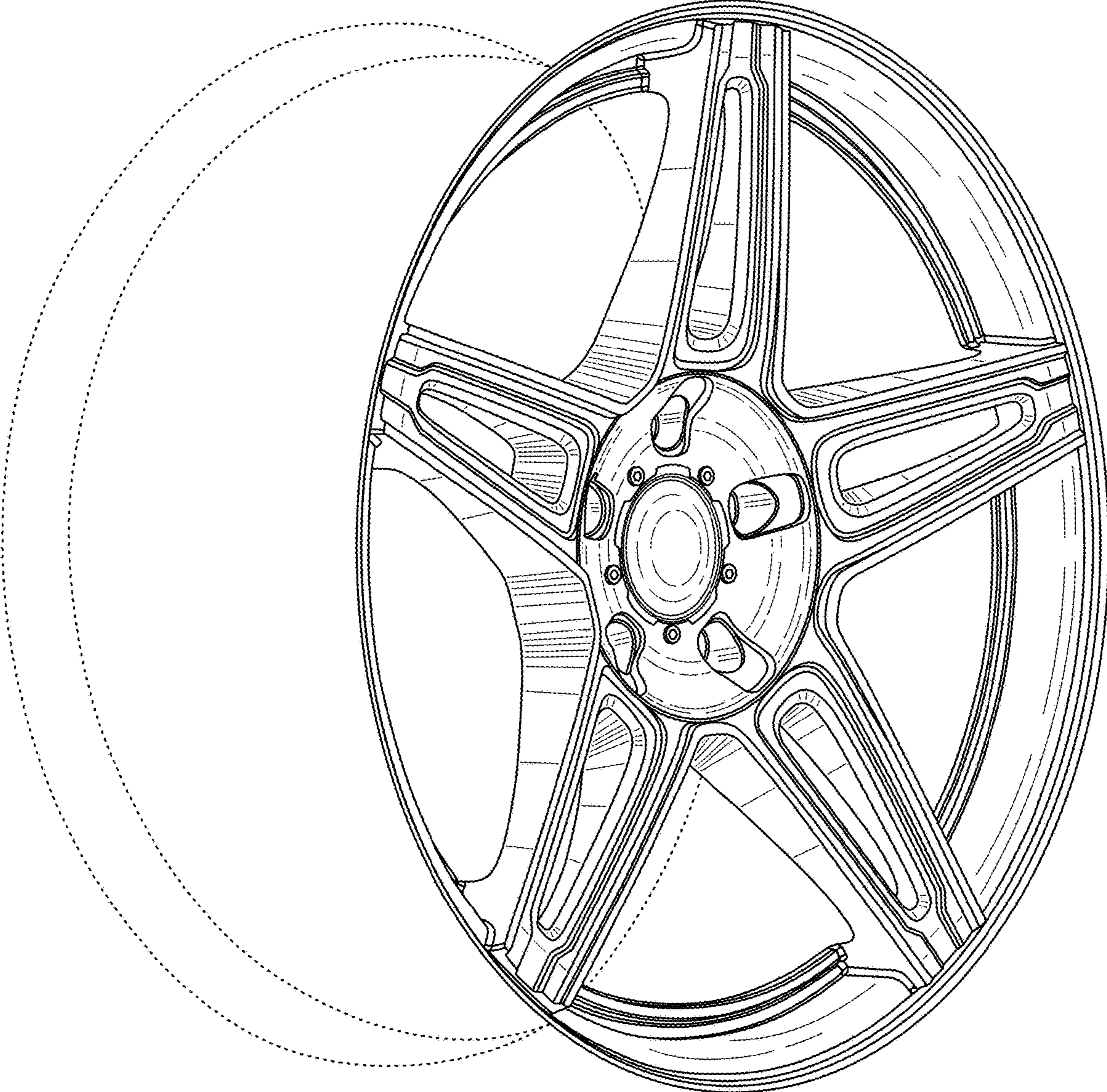


FIGURE 1

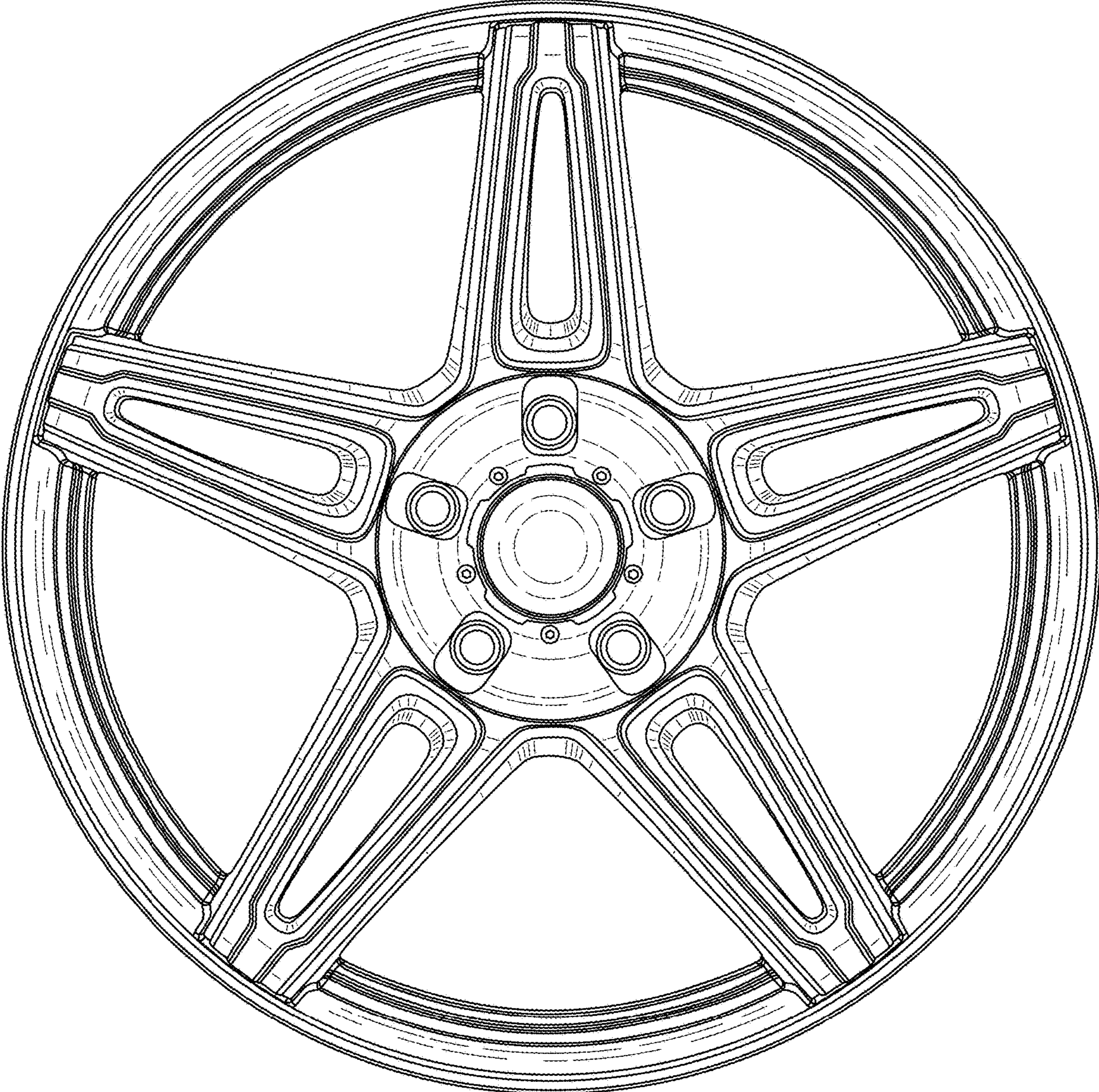


FIGURE 2

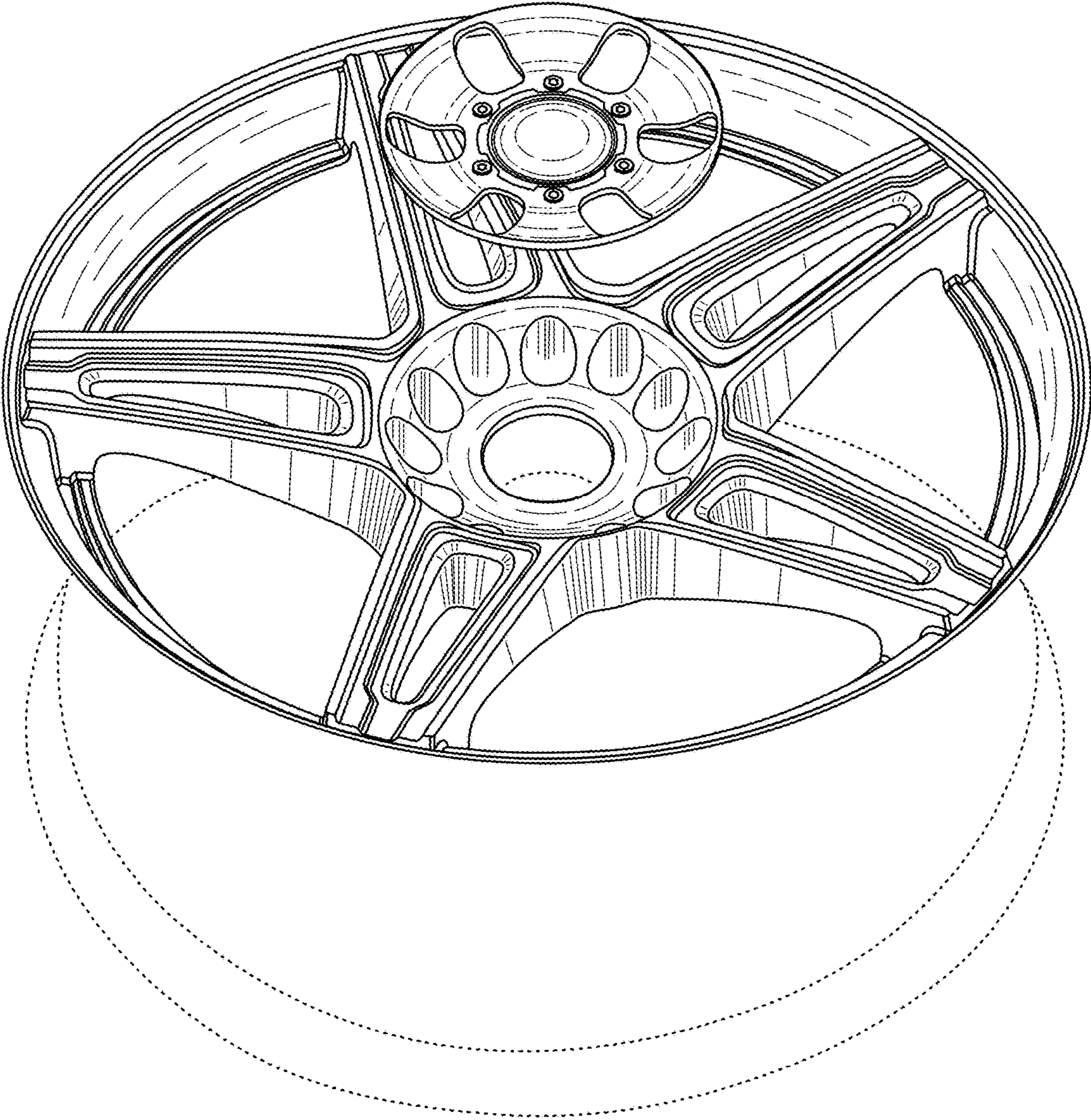


FIGURE 3

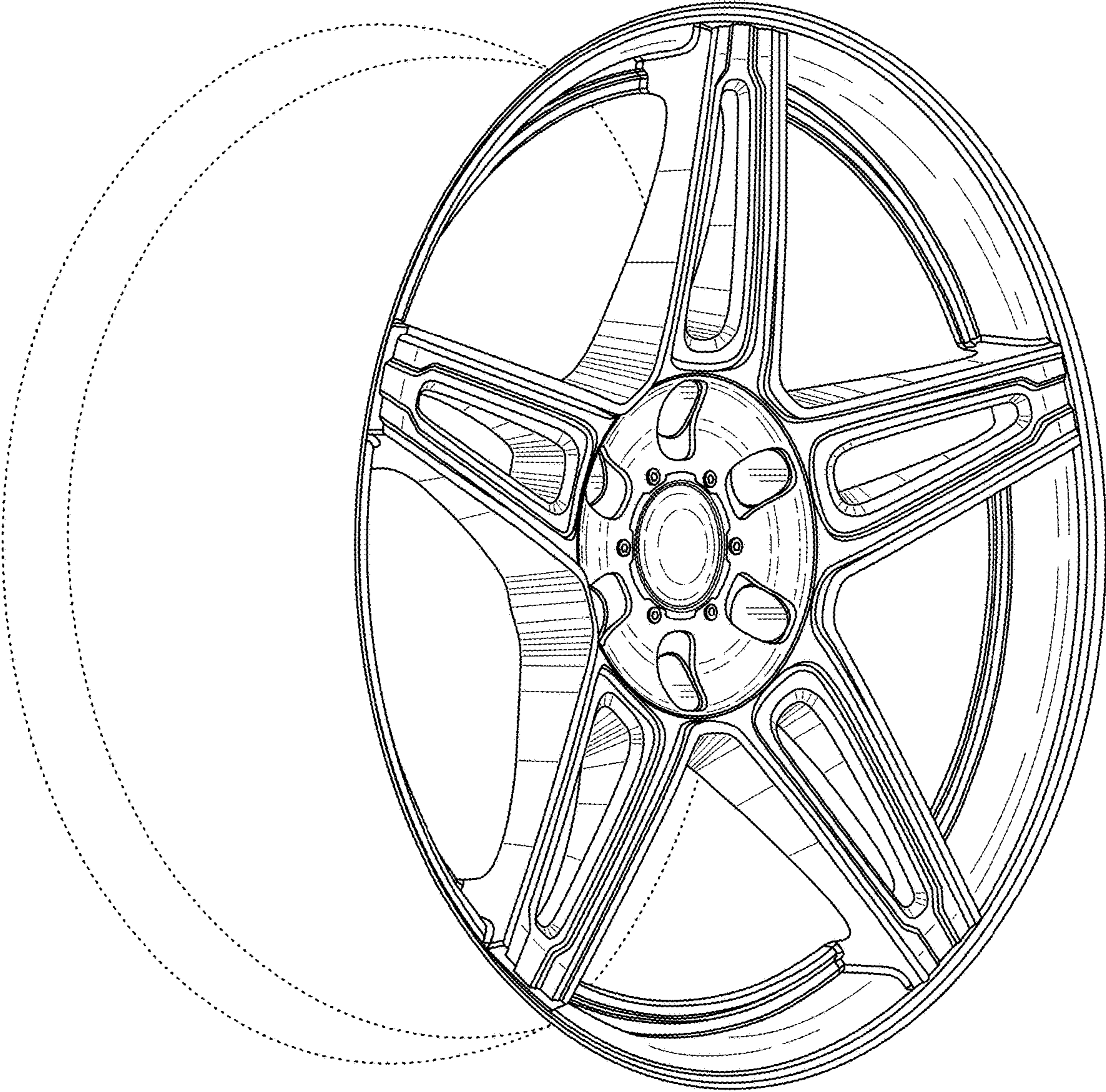


FIGURE 4

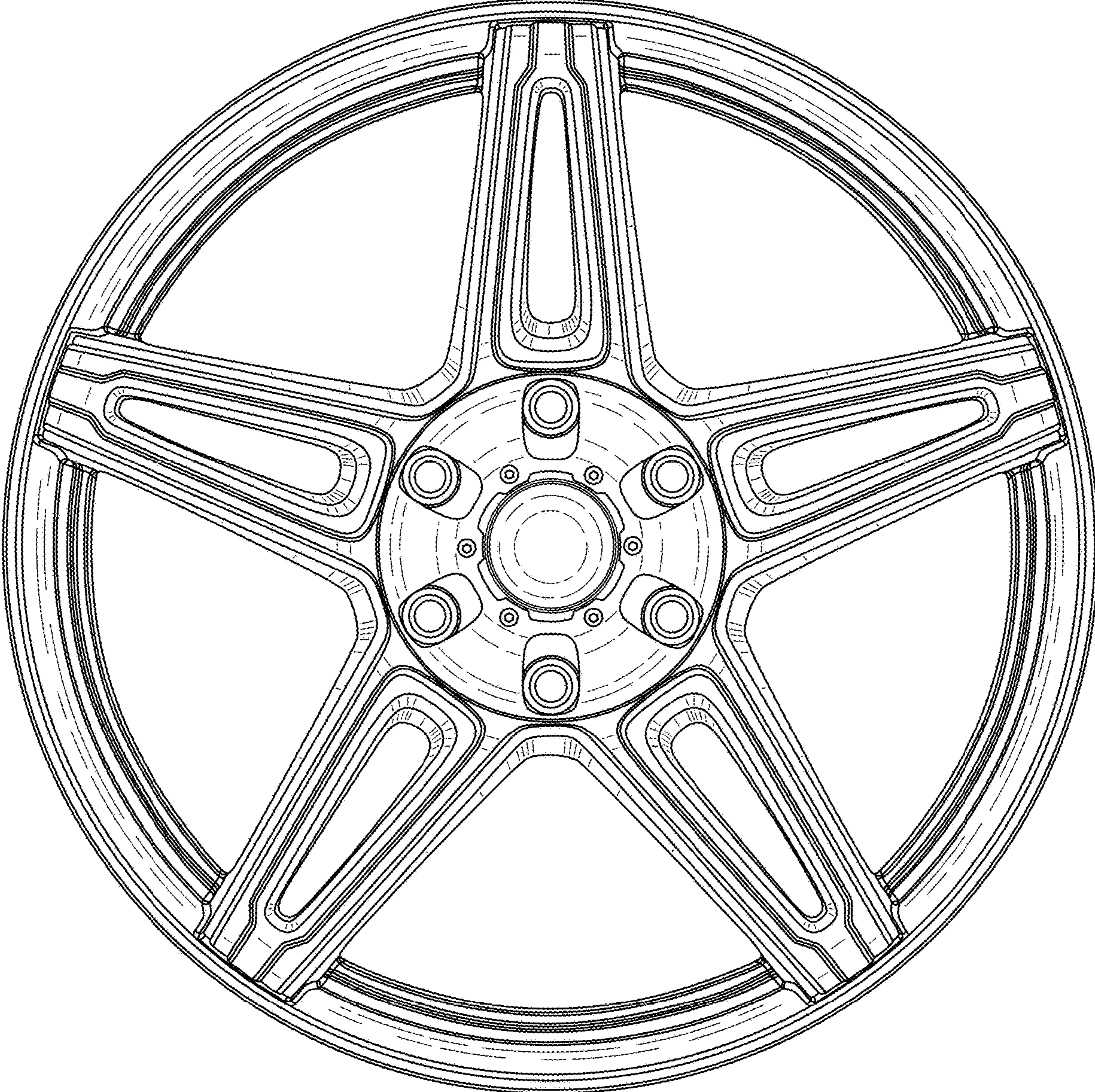


FIGURE 5

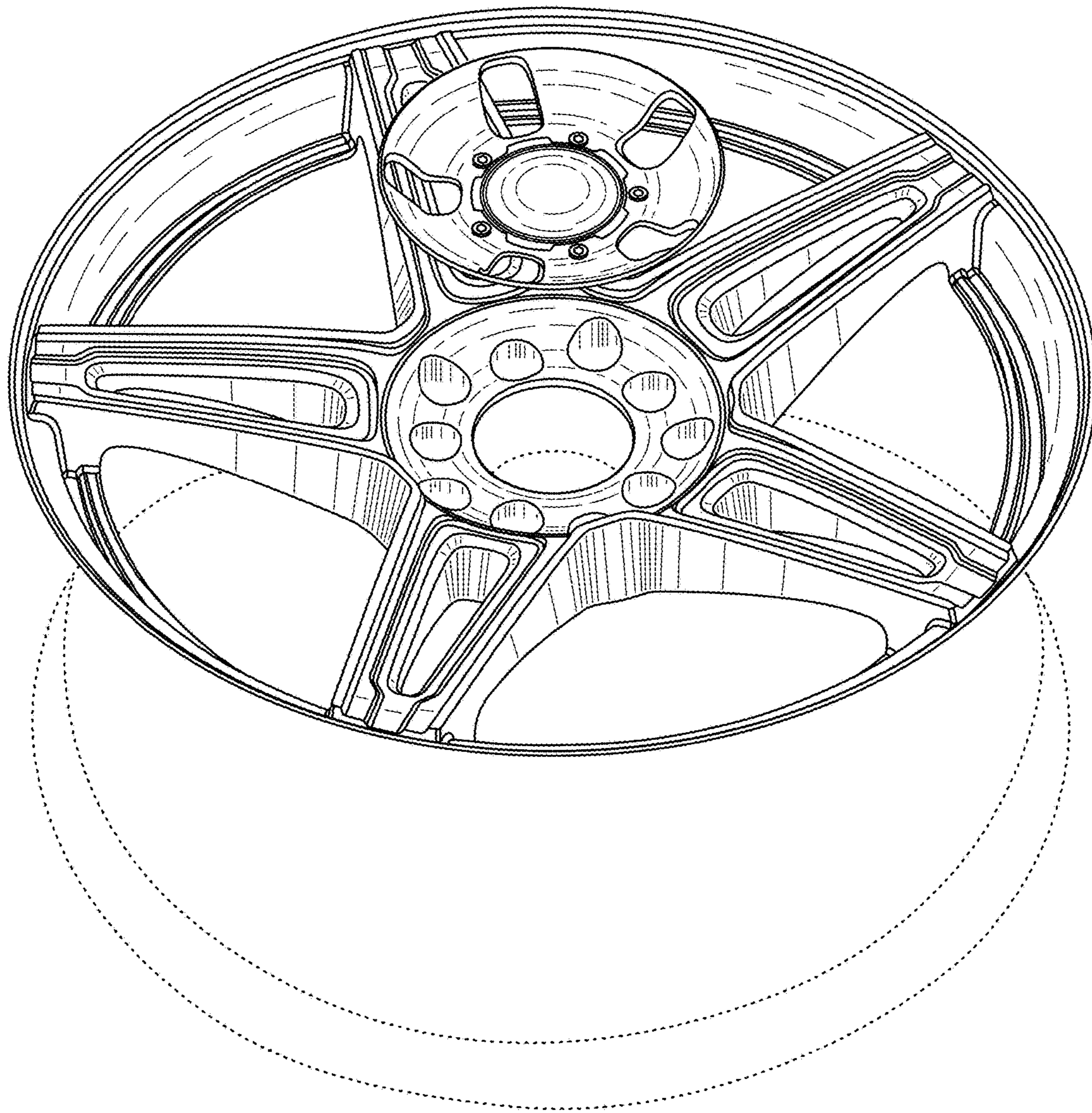


FIGURE 6