



US00D778221S

(12) **United States Design Patent** (10) **Patent No.:** **US D778,221 S**
Stewart (45) **Date of Patent:** **** Feb. 7, 2017**

(54) **MUFFLER TIP**

FOREIGN PATENT DOCUMENTS

(71) Applicant: **James W. Stewart**, Platte City, MO
(US)

DE EP 2211048 A1 * 7/2010 F02M 26/26
DE 102010011680 A1 * 9/2011 F01N 13/08
DE EP 2211048 B1 * 5/2013 F02M 26/26

(72) Inventor: **James W. Stewart**, Platte City, MO
(US)

* cited by examiner

(**) Term: **15 Years**

Primary Examiner — Michael A Pratt

(74) *Attorney, Agent, or Firm* — Intellectual Property Center, LLC; Arthur K. Shaffer

(21) Appl. No.: **29/537,508**

(57) **CLAIM**

(22) Filed: **Aug. 26, 2015**

The ornamental design for a muffler tip, as shown and described herein.

(51) **LOC (10) Cl.** **12-16**

DESCRIPTION

(52) **U.S. Cl.**
USPC **D12/194**

(58) **Field of Classification Search**
USPC D12/194; D15/5
CPC F01N 13/082; F01N 13/1805; F01N 13/20
See application file for complete search history.

FIG. 1 is a side perspective view of a muffler tip in accordance with the present invention;
FIG. 2 is a left side elevation, the right side being a mirror image thereof;
FIG. 3 is a rear elevation thereof;
FIG. 4 is a front elevation thereof;
FIG. 5 is a top plan view thereof; and,
FIG. 6 is a bottom plan view thereof.

(56) **References Cited**

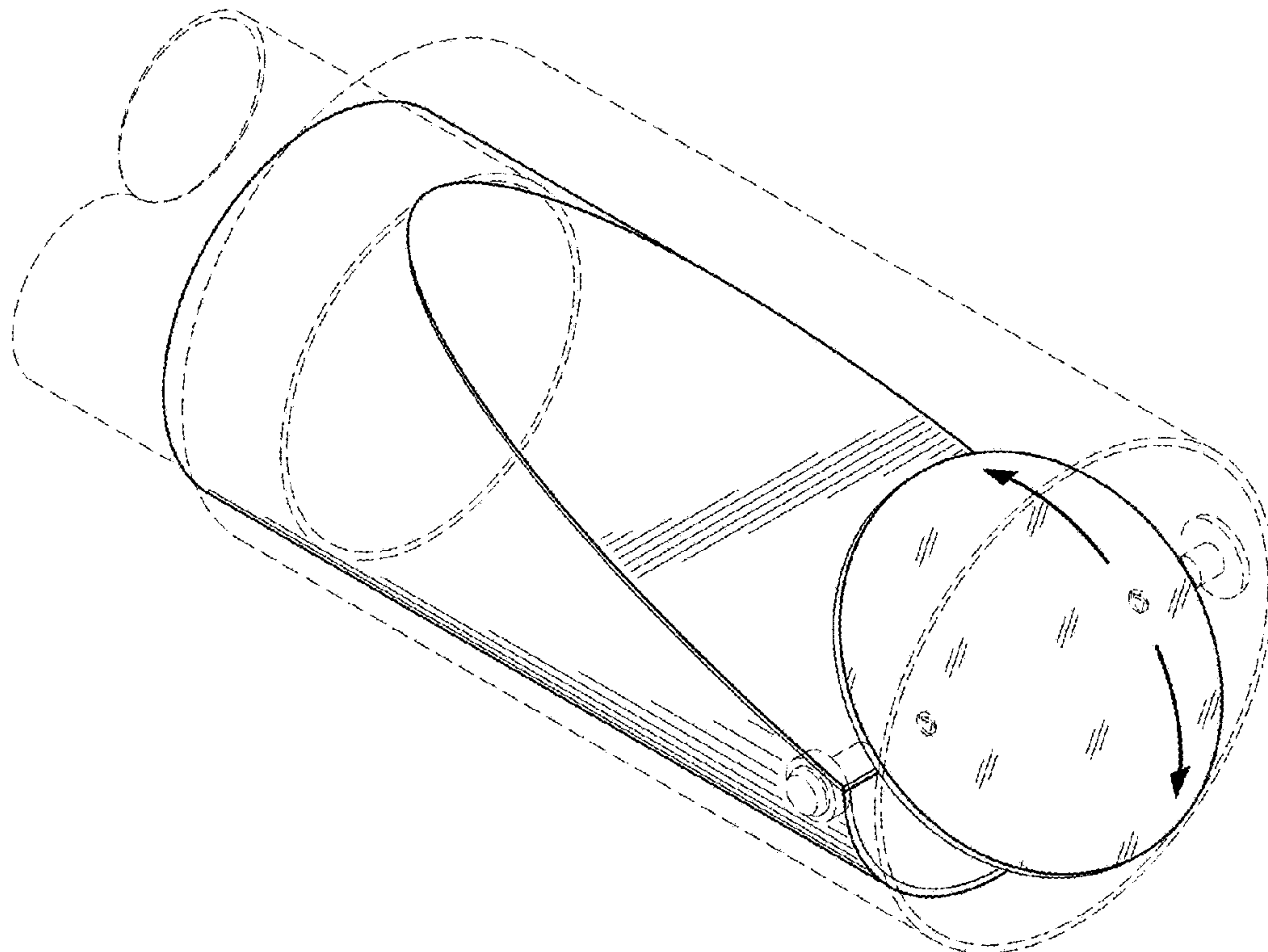
U.S. PATENT DOCUMENTS

2,679,230 A * 5/1954 Ward F01N 13/00
116/138
9,080,816 B2 * 7/2015 Wickham F28D 7/106
9,151,218 B2 * 10/2015 Ebisu F02B 37/025
2016/0319946 A1 * 11/2016 Suhnel F16K 11/0525

The dashed lines in FIGS. 1-6 are for illustrative purposes only and form no part of the claimed design.

The arrows in FIGS. 1 and 2 are for illustrative purposes only and form no part of the claimed design.

1 Claim, 3 Drawing Sheets



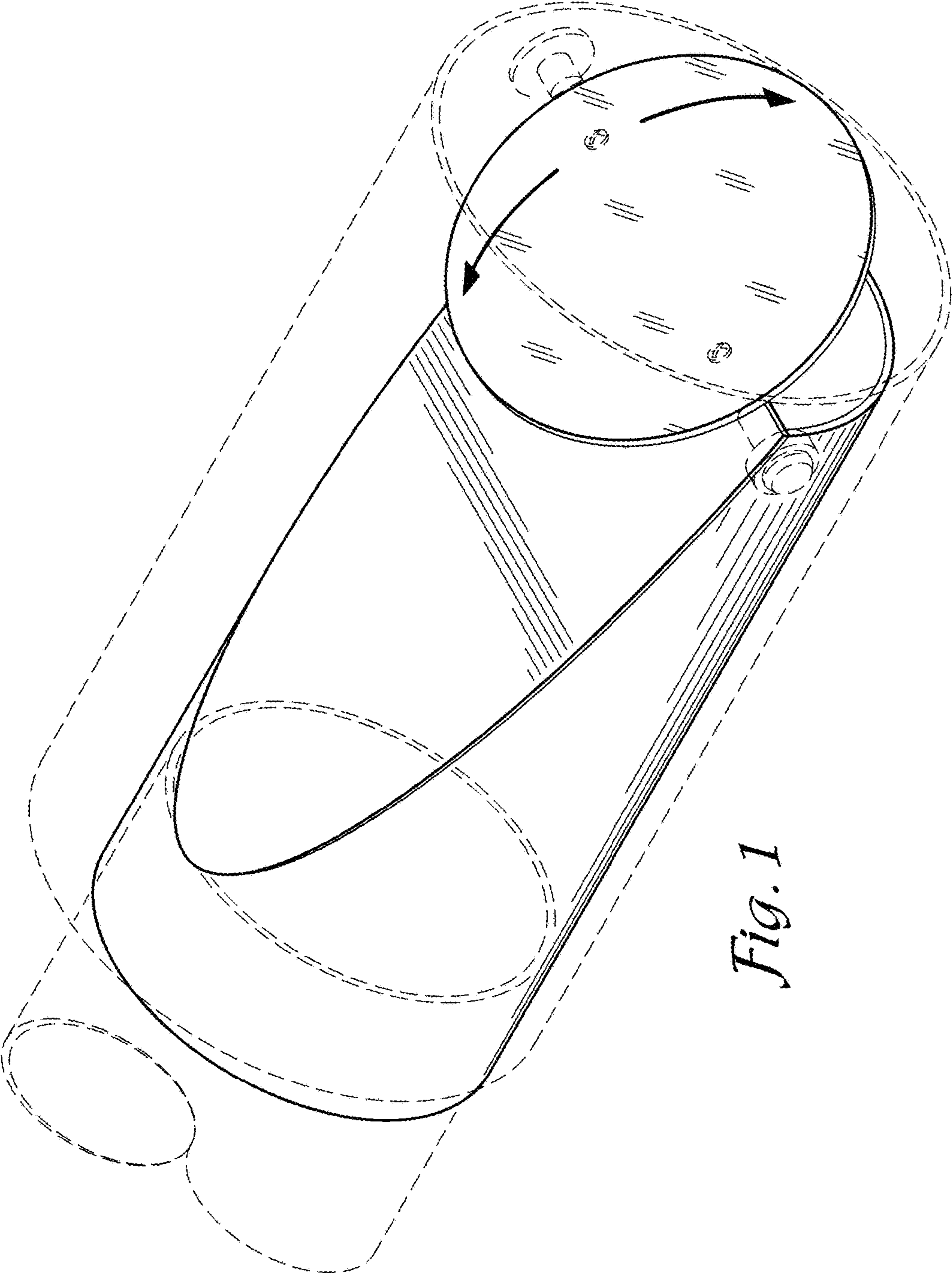


Fig. 1

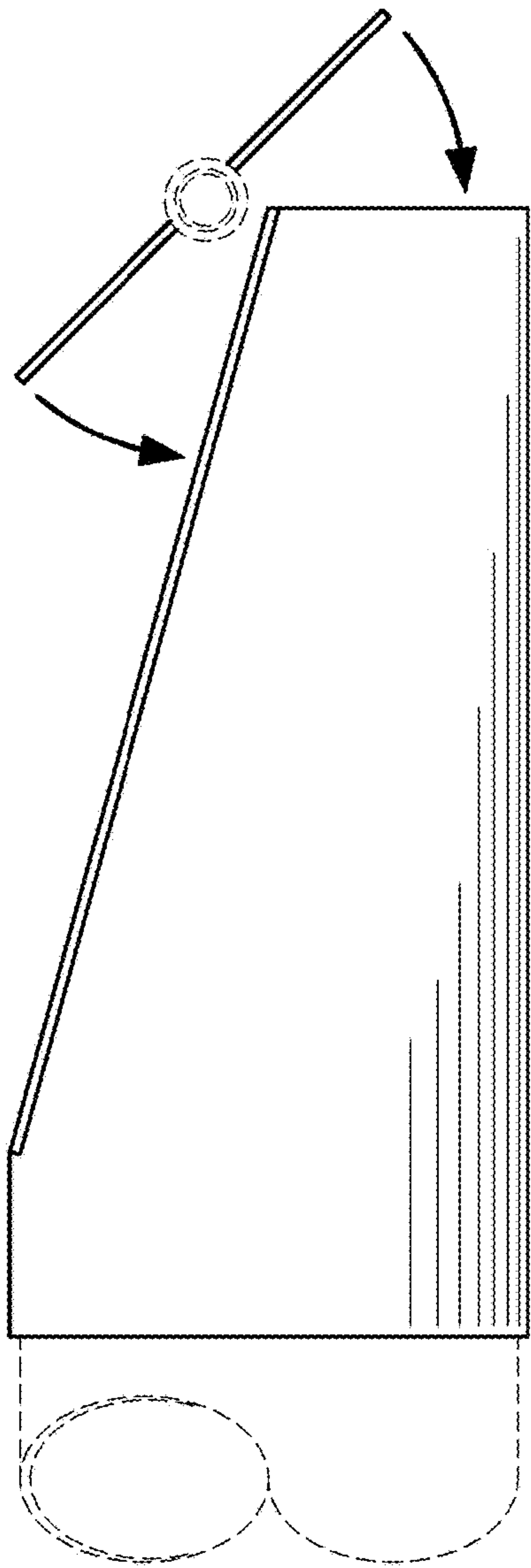


Fig. 2

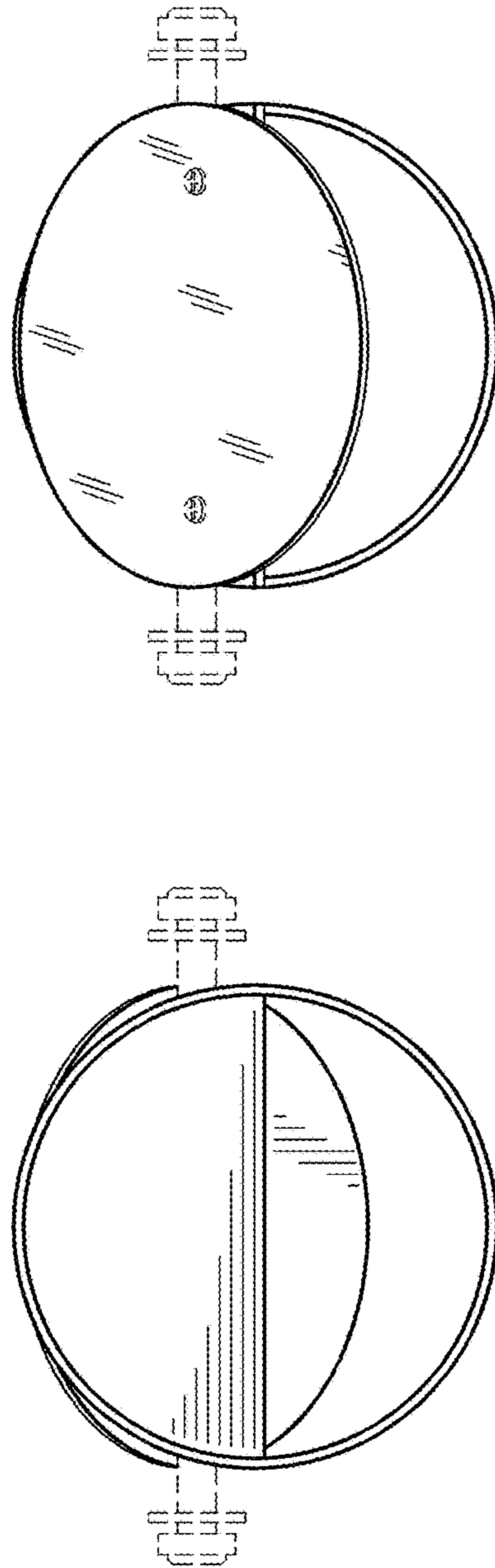


Fig. 3

Fig. 4

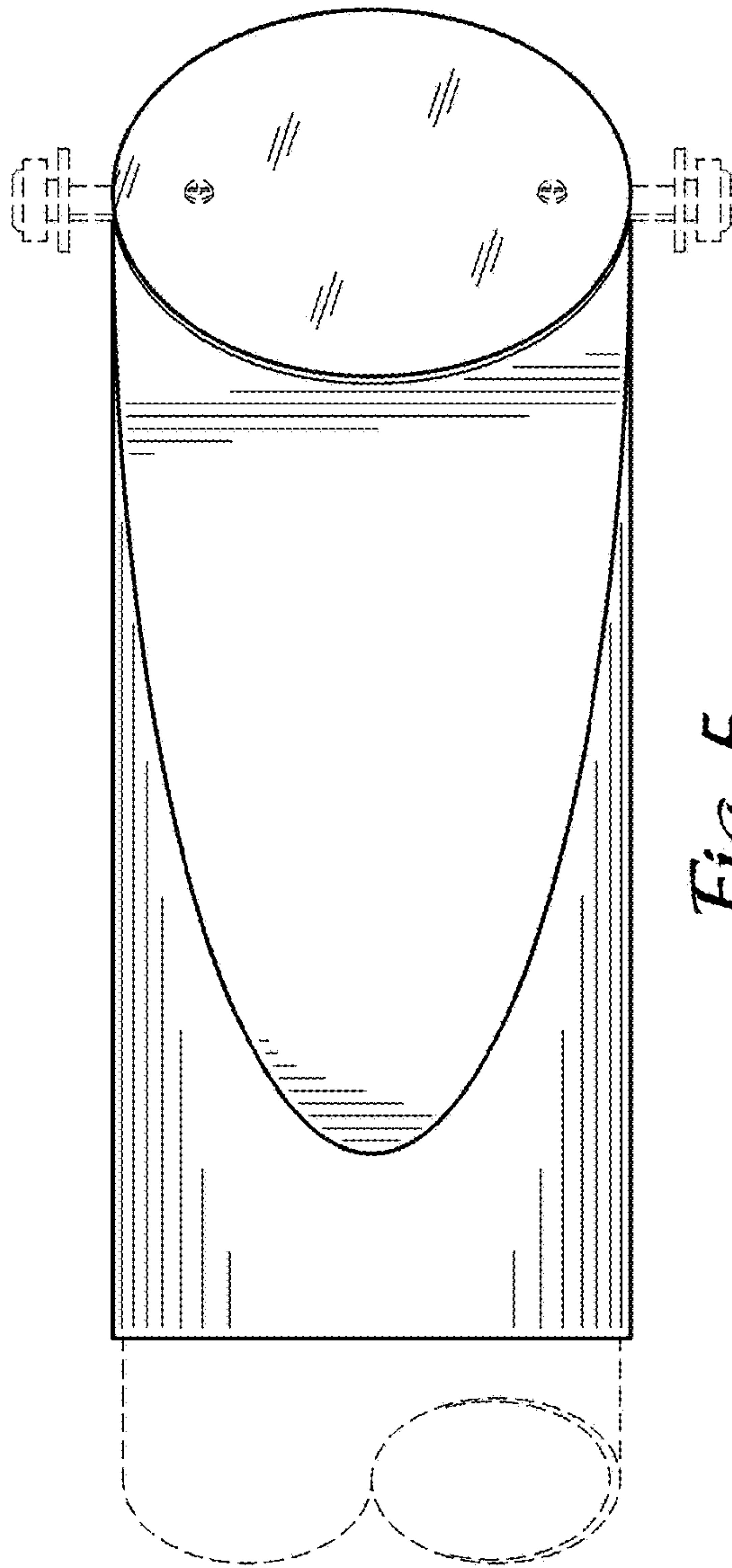


Fig. 5

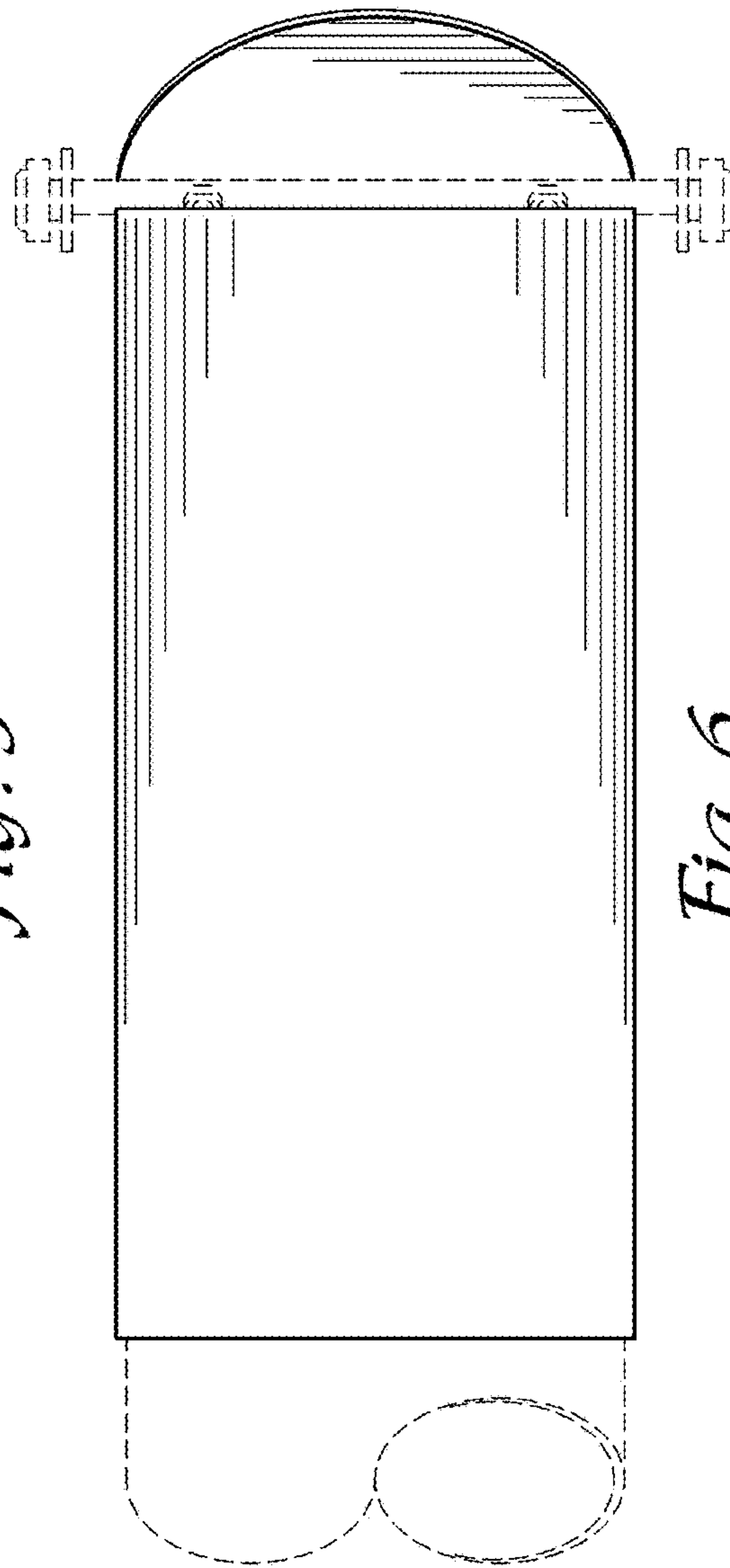


Fig. 6