



US00D778217S

(12) **United States Design Patent** (10) **Patent No.:** **US D778,217 S**  
**Ito et al.** (45) **Date of Patent:** **\*\* Feb. 7, 2017**

(54) **HOOD FOR A TRUCK VEHICLE**  
(71) Applicant: **International Truck Intellectual Property Company, LLC**, Lisle, IL (US)  
(72) Inventors: **Chris Ito**, Sugar Grove, IL (US); **Glen Joel Durmisevich**, Rochester Hills, MI (US); **Christian Michael Hardin**, Waterford, MI (US); **David James Olsen**, Aurora, IL (US)  
(73) Assignee: **International Truck Intellectual Property Company, LLC**, Lisle, IL (US)  
(\*\*) Term: **15 Years**  
(21) Appl. No.: **29/543,876**  
(22) Filed: **Oct. 29, 2015**  
(51) **LOC (10) Cl.** ..... **12-16**  
(52) **U.S. Cl.**  
USPC ..... **D12/173**  
(58) **Field of Classification Search**  
USPC .. D12/173, 196, 86, 90-92, 181; 180/69.21, 180/69.2, 69.22; 296/190.1-190.5, 296/190.8, 193.11, 37.6  
CPC ..... B62D 25/10; B62D 25/06; B62D 65/02; B62D 25/12; B60Q 1/00  
See application file for complete search history.

D328,273 S 7/1992 McGrew, Jr. et al.  
D335,272 S 5/1993 Allendorph et al.  
D391,908 S 3/1998 Allendorph et al.  
D394,624 S 5/1998 Allendorph et al.  
D401,198 S 11/1998 Mueller et al.  
D403,637 S 1/1999 Abalos et al.  
D426,800 S 6/2000 Zimmerman  
D437,574 S 2/2001 Beigel  
D445,384 S 7/2001 Tirey et al.  
D458,197 S 6/2002 Maher et al.  
D466,450 S 12/2002 Maher et al.  
D523,793 S 6/2006 Beigel et al.  
D536,287 S 2/2007 Beigel et al.  
D557,186 S 12/2007 Beigel et al.  
D564,427 S 3/2008 Beigel et al.  
D645,801 S 9/2011 Beigel et al.  
D647,832 S \* 11/2011 Medina ..... D12/173  
D707,160 S \* 6/2014 Peltola ..... D12/173  
D707,161 S \* 6/2014 Peltola ..... D12/173  
D709,002 S 7/2014 Ito et al.

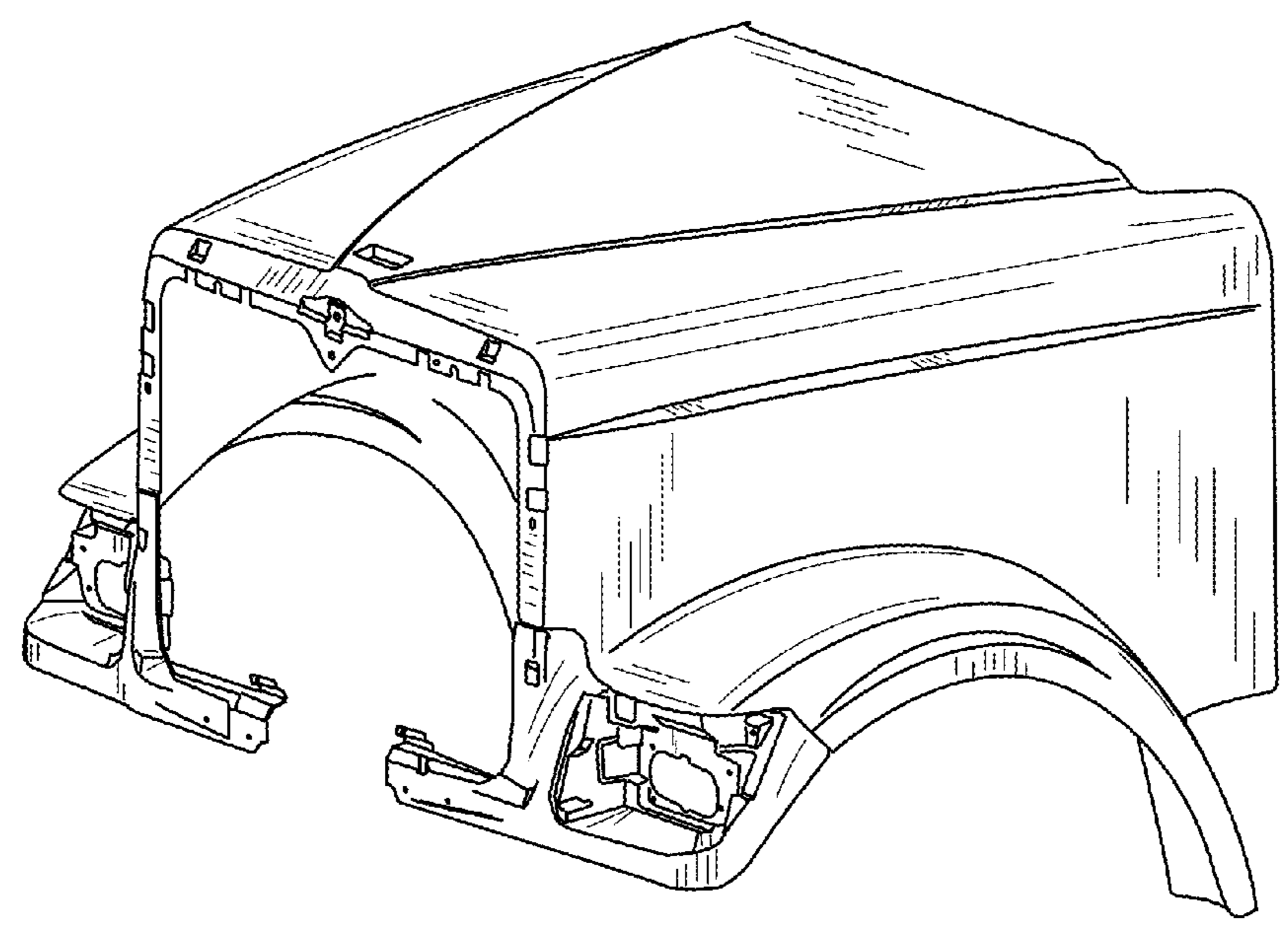
\* cited by examiner  
*Primary Examiner* — Melody Brown  
(74) *Attorney, Agent, or Firm* — Jeffrey P. Calfa; Mark C. Bach

(57) **CLAIM**  
The ornamental design for a hood for a truck vehicle, as shown and described.

**DESCRIPTION**  
FIG. 1 is a perspective view of a hood for a truck vehicle showing our new design;  
FIG. 2 is a top plan view thereof;  
FIG. 3 is a right side view thereof;  
FIG. 4 is a left side view thereof;  
FIG. 5 is a front view thereof; and,  
FIG. 6 is a rear view thereof.

**1 Claim, 3 Drawing Sheets**

(56) **References Cited**  
U.S. PATENT DOCUMENTS  
D306,421 S 3/1990 Allendorph et al.  
D306,714 S 3/1990 Allendorph  
D307,126 S 4/1990 Allendorph et al.



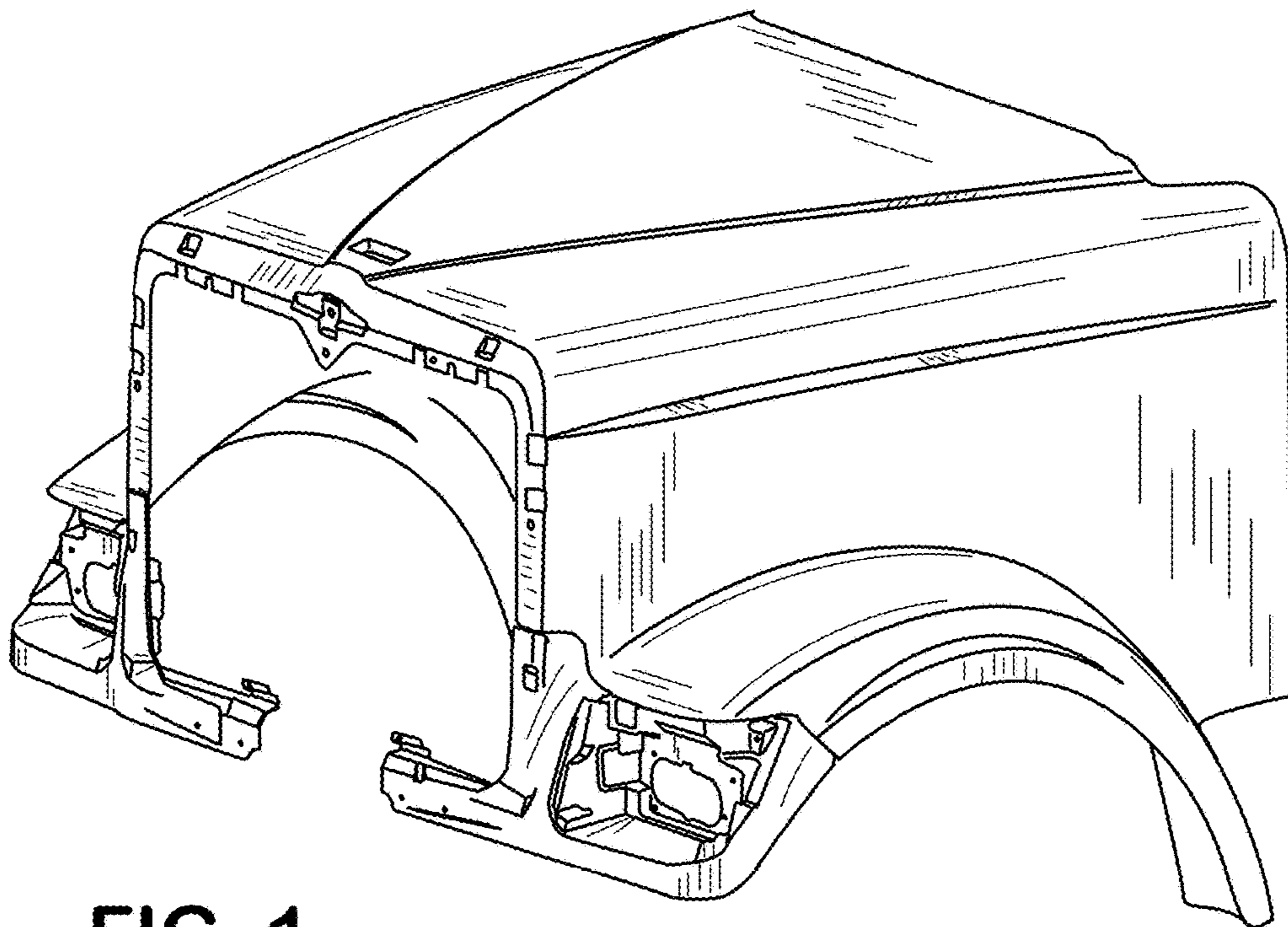


FIG. 1

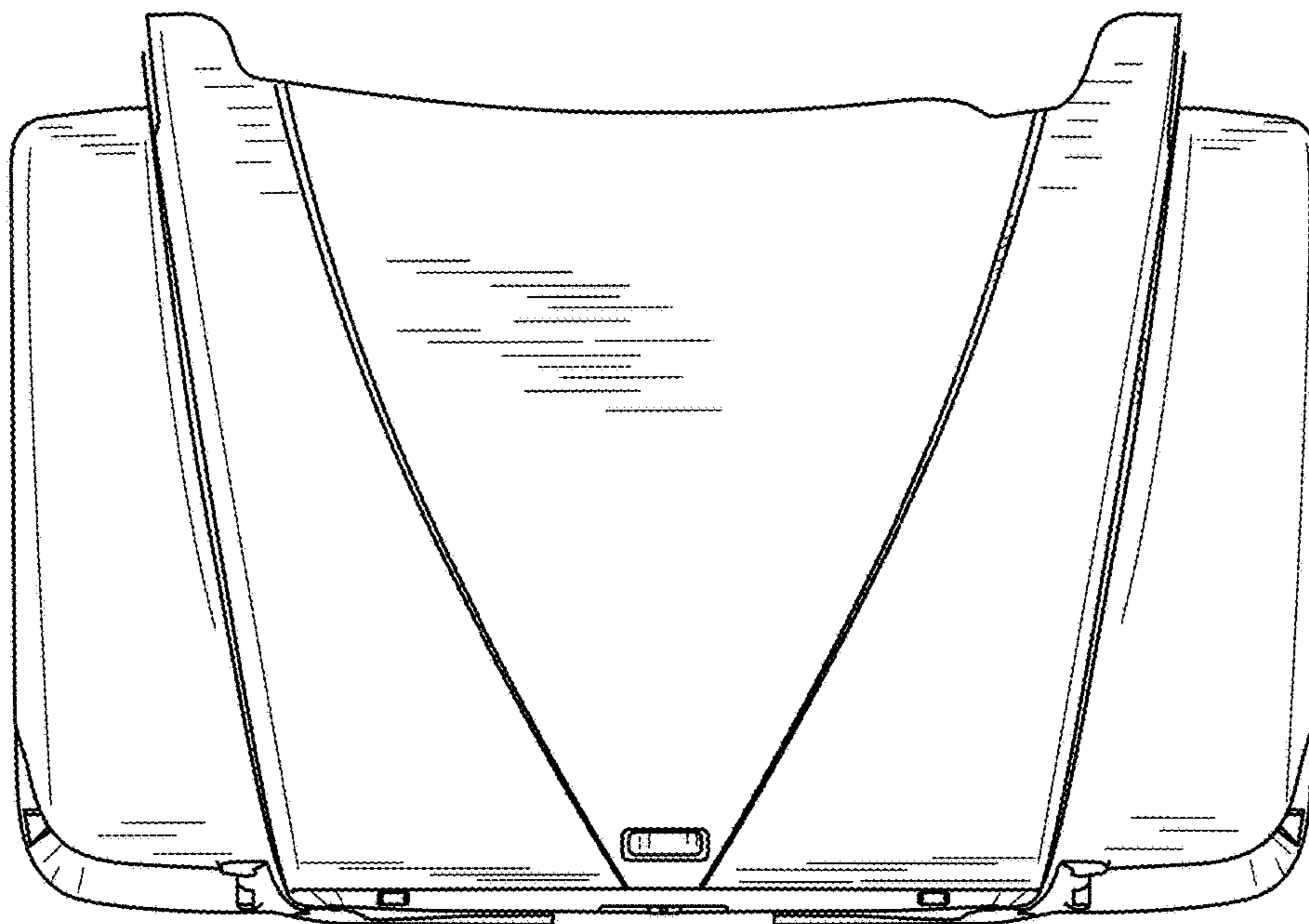
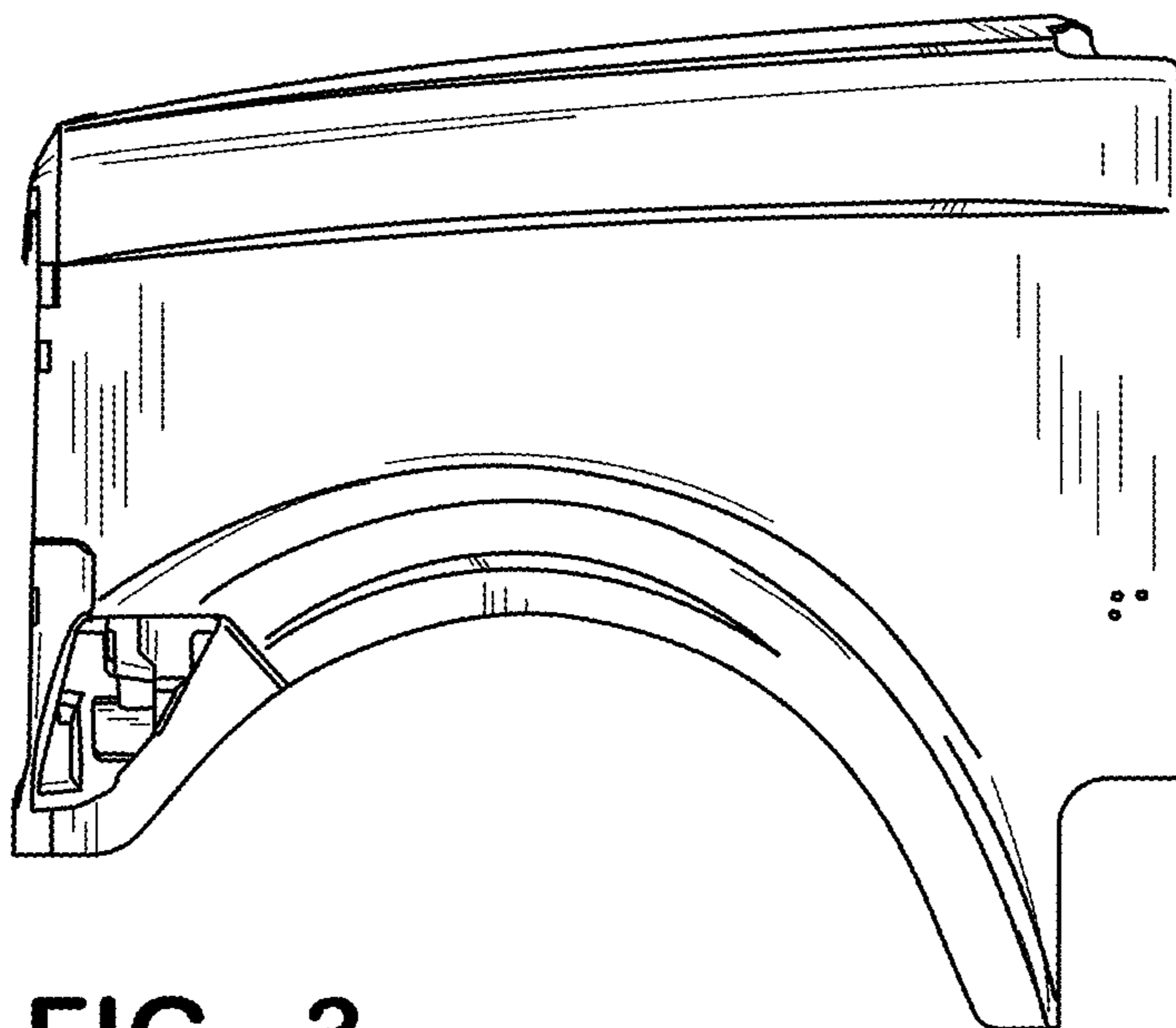
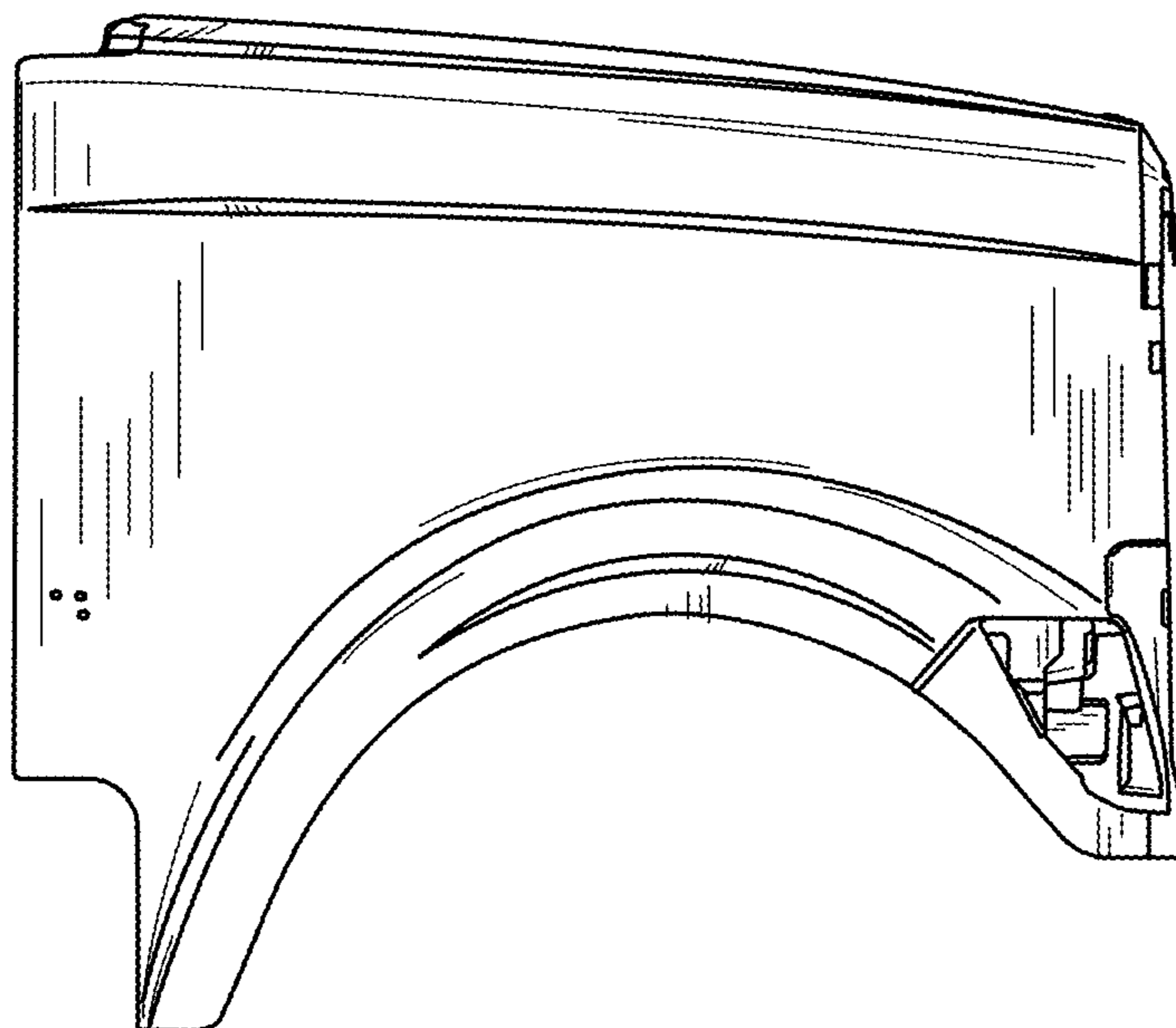


FIG. 2



**FIG. 3**



**FIG. 4**

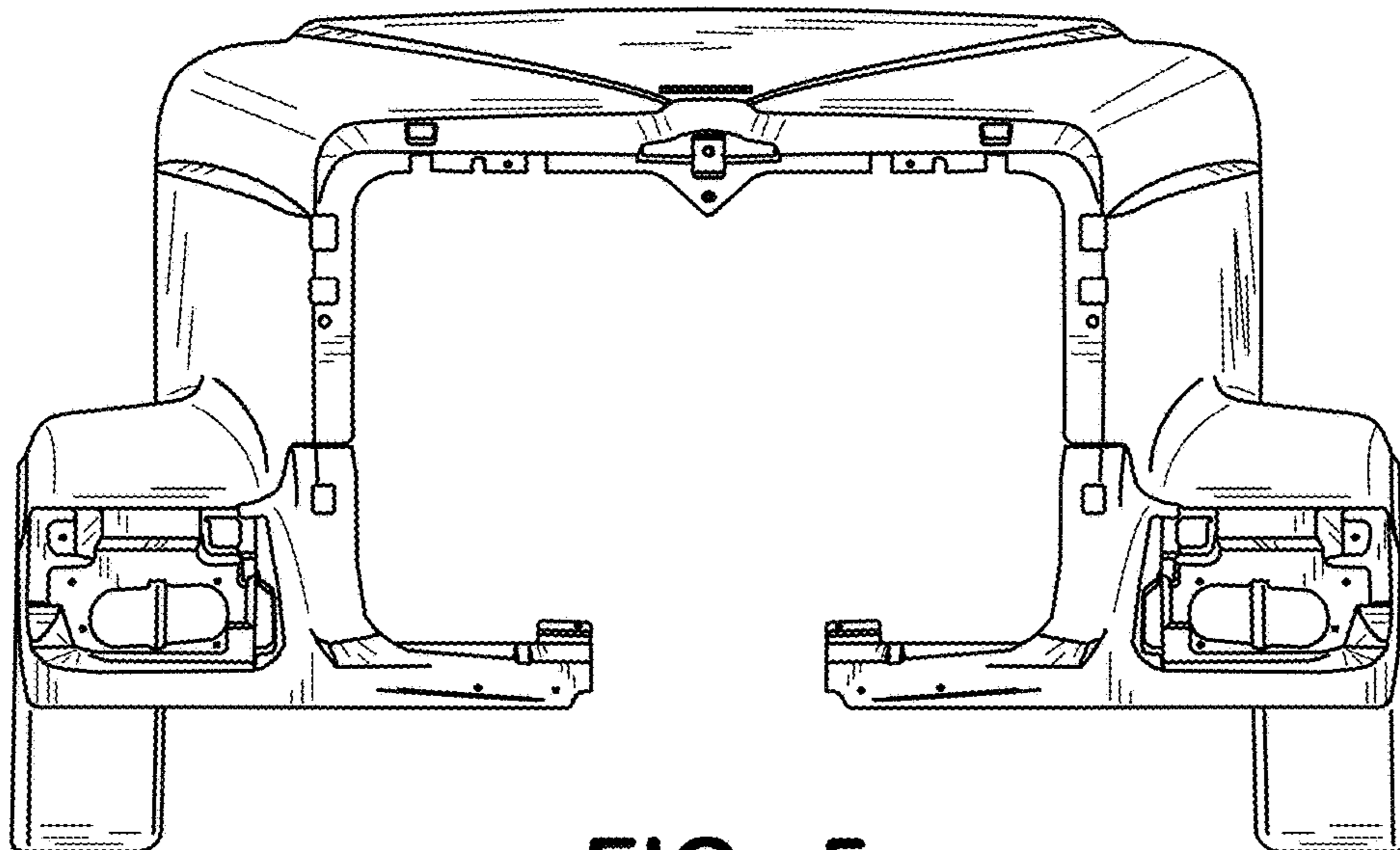


FIG. 5

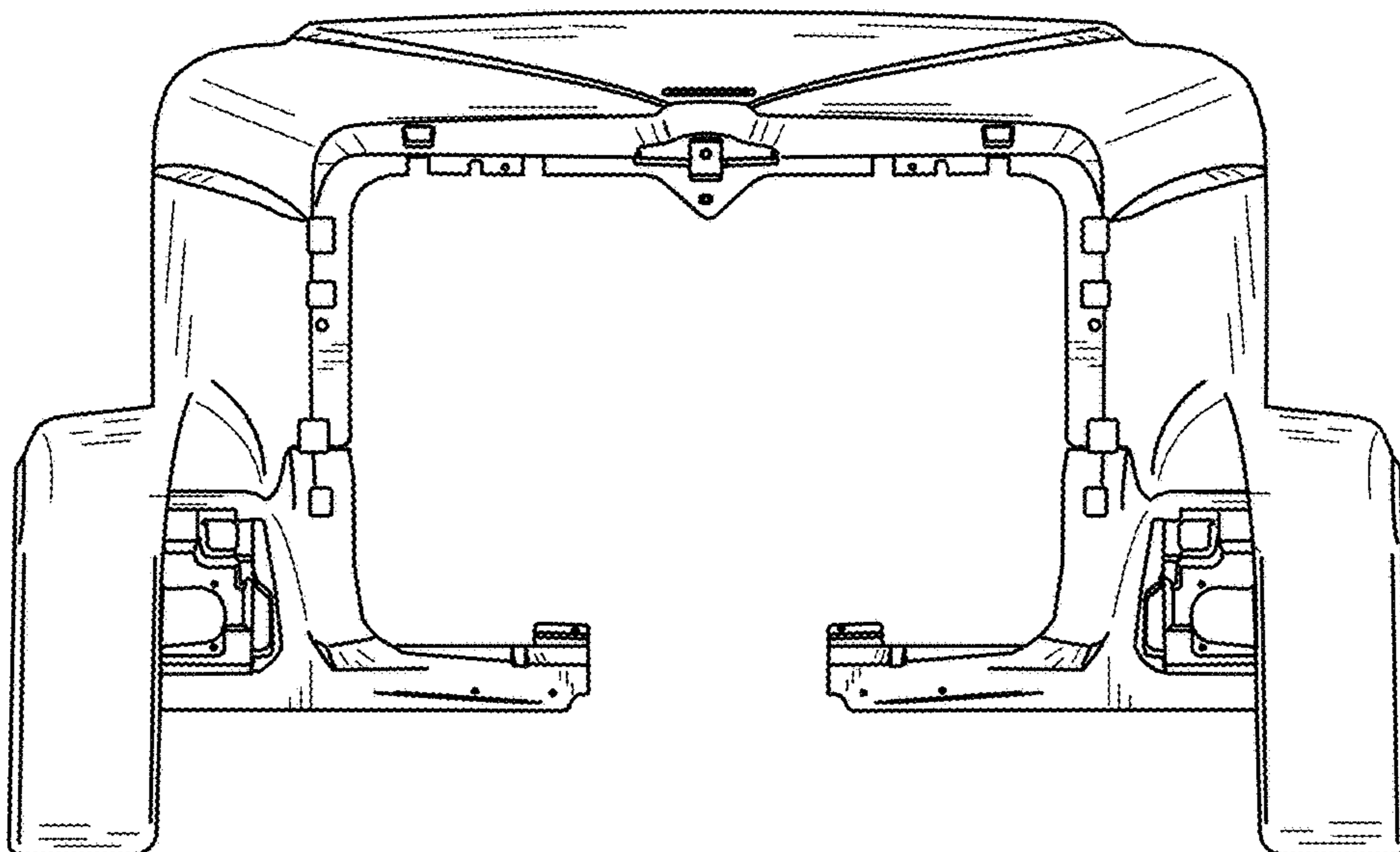


FIG. 6