



US00D778216S

(12) **United States Design Patent** (10) **Patent No.:** **US D778,216 S**
Ito et al. (45) **Date of Patent:** **** Feb. 7, 2017**

(54) **HOOD FOR A TRUCK VEHICLE**
(71) Applicant: **International Truck Intellectual Property Company, LLC**, Lisle, IL (US)
(72) Inventors: **Chris Ito**, Suger Grove, IL (US); **Glen Joel Durmisevich**, Rochester Hills, MI (US); **Christian Michael Hardin**, Waterford, MI (US)
(73) Assignee: **International Truck Intellectual Property Company, LLC**, Lisle, IL (US)
(**) Term: **15 Years**
(21) Appl. No.: **29/543,873**
(22) Filed: **Oct. 29, 2015**
(51) **LOC (10) Cl.** **12-16**
(52) **U.S. Cl.**
USPC **D12/173**
(58) **Field of Classification Search**
USPC .. D12/173, 196, 86, 90-92, 181; 180/69.21, 180/69.2, 69.22; 296/190.1-190.5, 296/190.8, 193.11, 37.6
CPC B62D 25/10; B62D 25/06; B62D 65/02; B62D 25/12; B60Q 1/00
See application file for complete search history.

D335,272 S 5/1993 Allendorph et al.
D391,908 S 3/1998 Allendorph et al.
D394,624 S 5/1998 Allendorph et al.
D401,198 S 11/1998 Mueller et al.
D403,637 S 1/1999 Abalos et al.
D426,800 S 6/2000 Zimmerman
D437,574 S 2/2001 Beigel
D445,384 S 7/2001 Tirey et al.
D458,197 S 6/2002 Maher et al.
D466,450 S 12/2002 Maher et al.
D523,793 S 6/2006 Beigel et al.
D536,287 S 2/2007 Beigel et al.
D557,186 S 12/2007 Beigel et al.
D564,427 S 3/2008 Beigel et al.
D645,801 S 9/2011 Beigel et al.
D647,832 S * 11/2011 Medina D12/173
D709,002 S 7/2014 Ito et al.
D738,274 S * 9/2015 Hanson D12/173
D743,308 S * 11/2015 Hanson D12/173

* cited by examiner
Primary Examiner — Melody Brown
(74) *Attorney, Agent, or Firm* — Jeffrey P. Calfa; Mark C. Bach

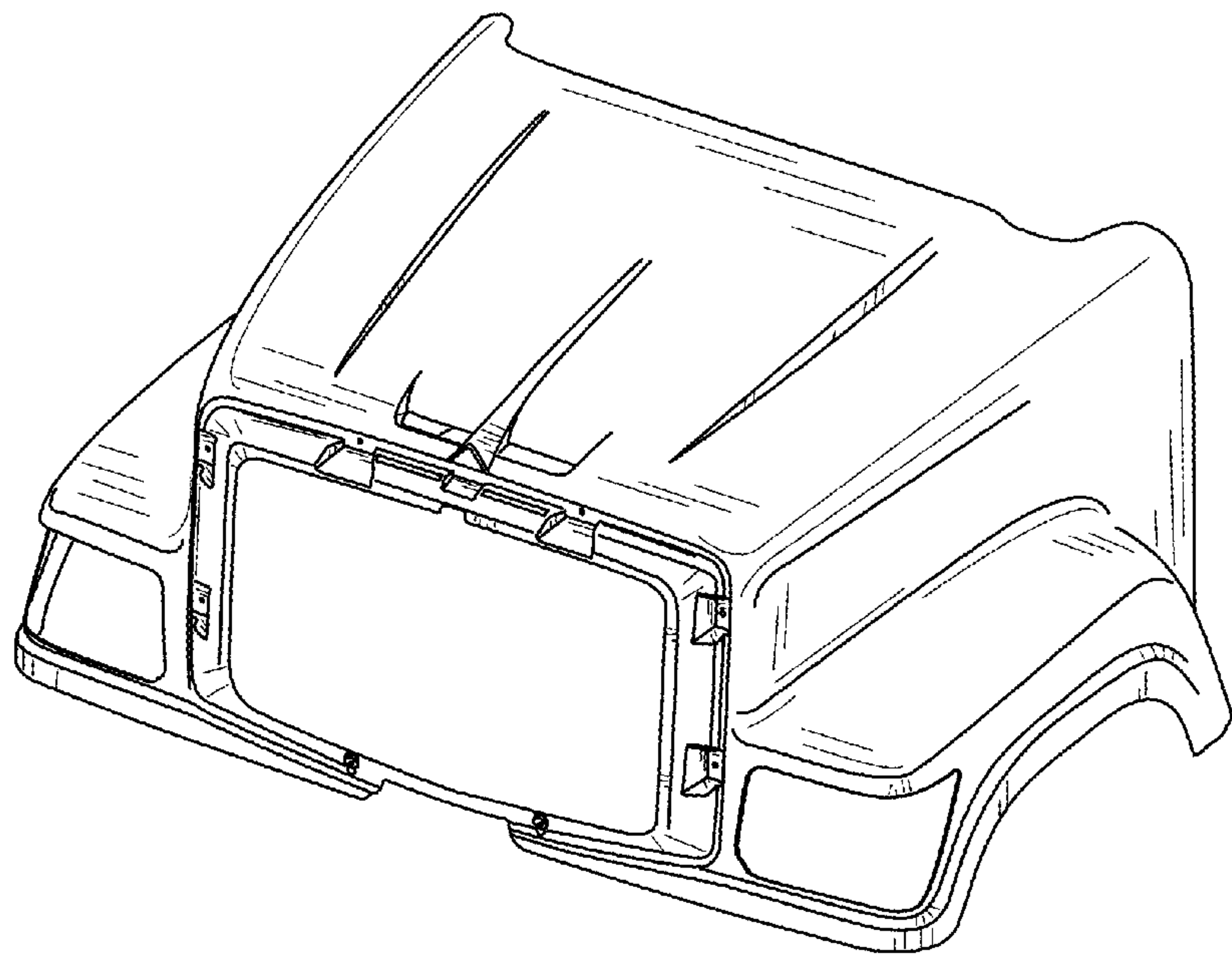
(57) **CLAIM**
The ornamental design for a hood for a truck vehicle, as shown and described.

DESCRIPTION

FIG. 1 is a perspective view of a hood for a truck vehicle showing our new design;
FIG. 2 is a top plan view thereof;
FIG. 3 is a left side view thereof;
FIG. 4 is a right side view thereof;
FIG. 5 is a front view thereof; and,
FIG. 6 is a rear view thereof.

1 Claim, 3 Drawing Sheets

(56) **References Cited**
U.S. PATENT DOCUMENTS
D306,421 S 3/1990 Allendorph et al.
D306,714 S 3/1990 Allendorph
D307,126 S 4/1990 Allendorph et al.
D328,273 S 7/1992 McGrew, Jr. et al.



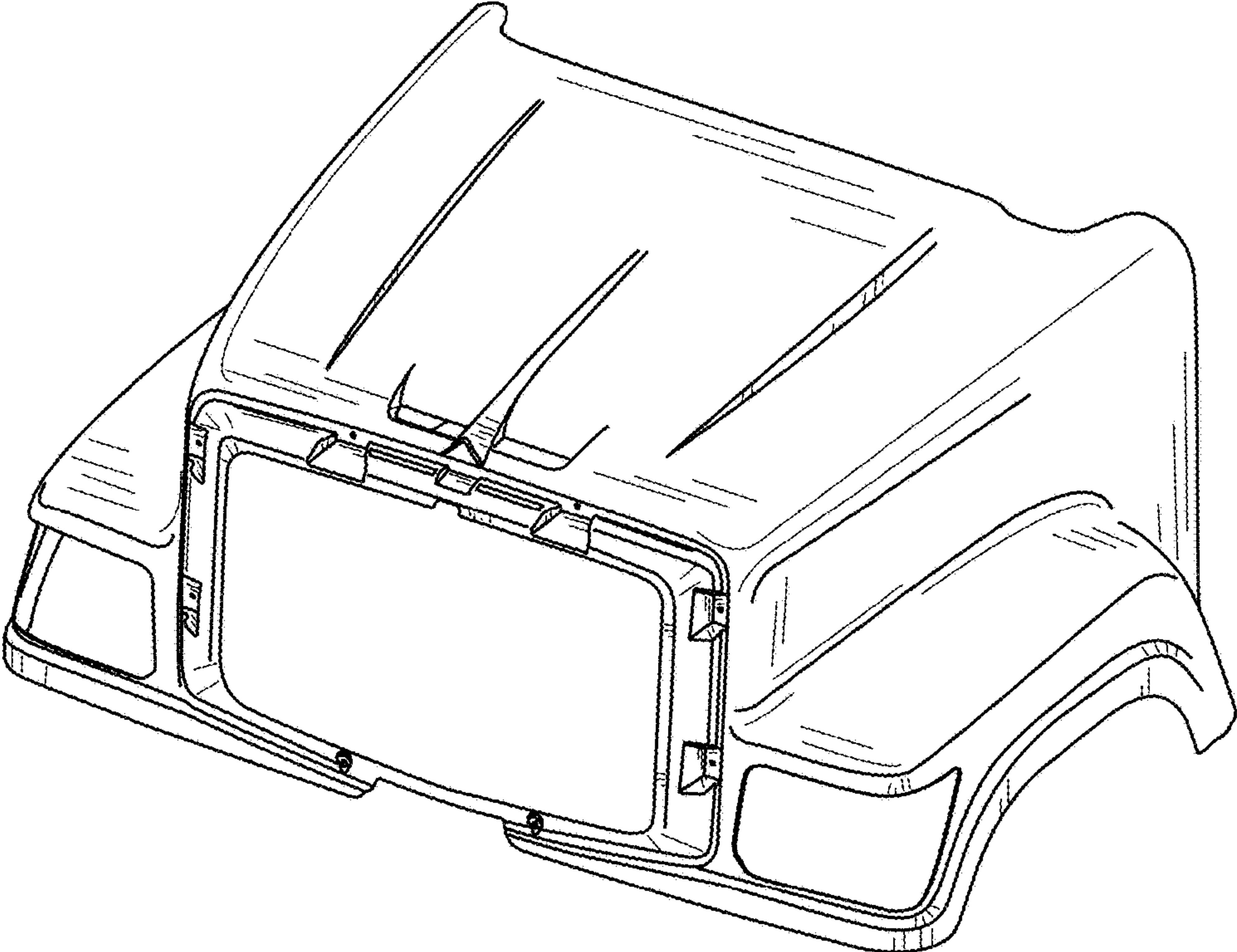


FIG. 1

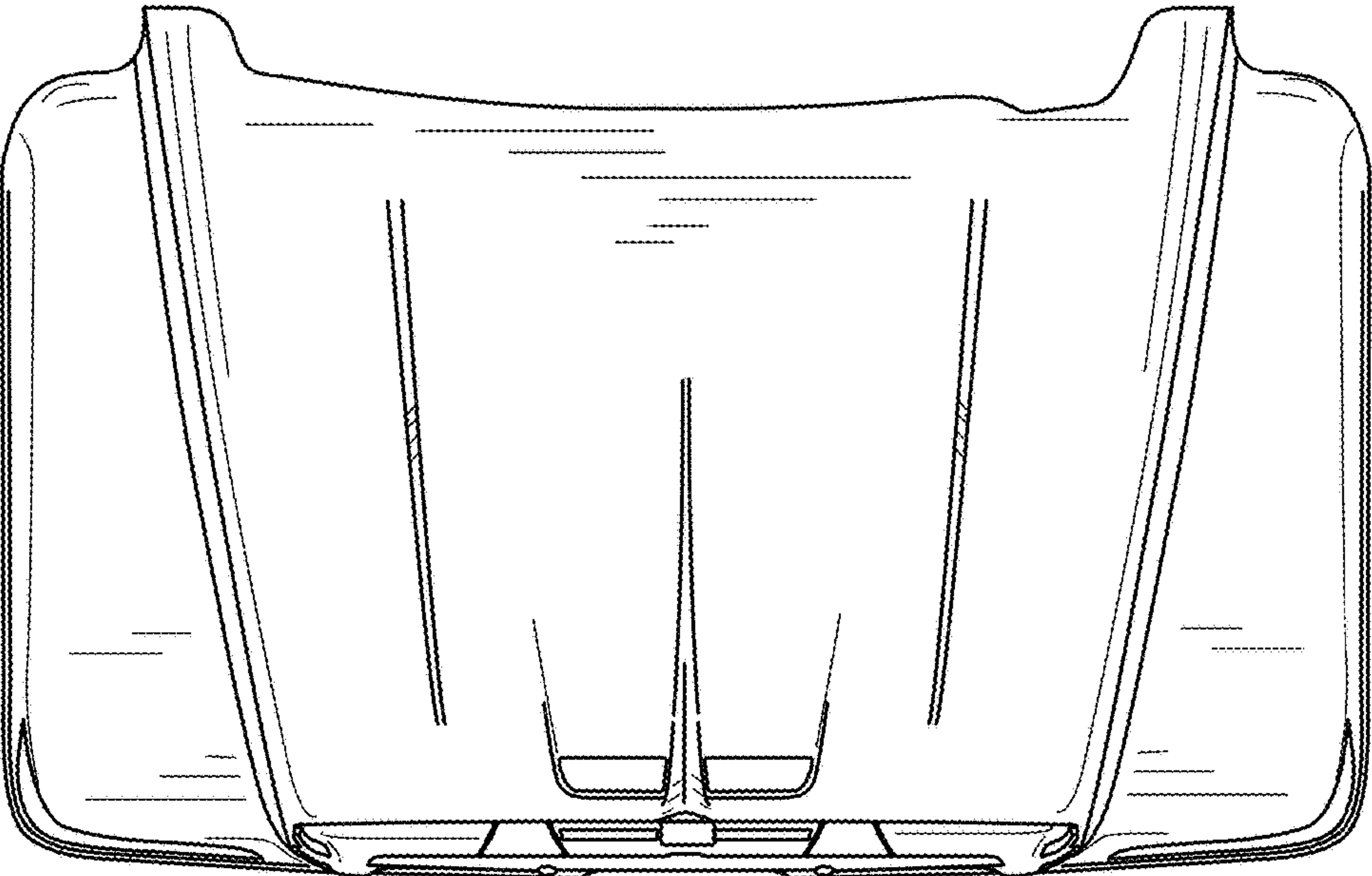


FIG. 2

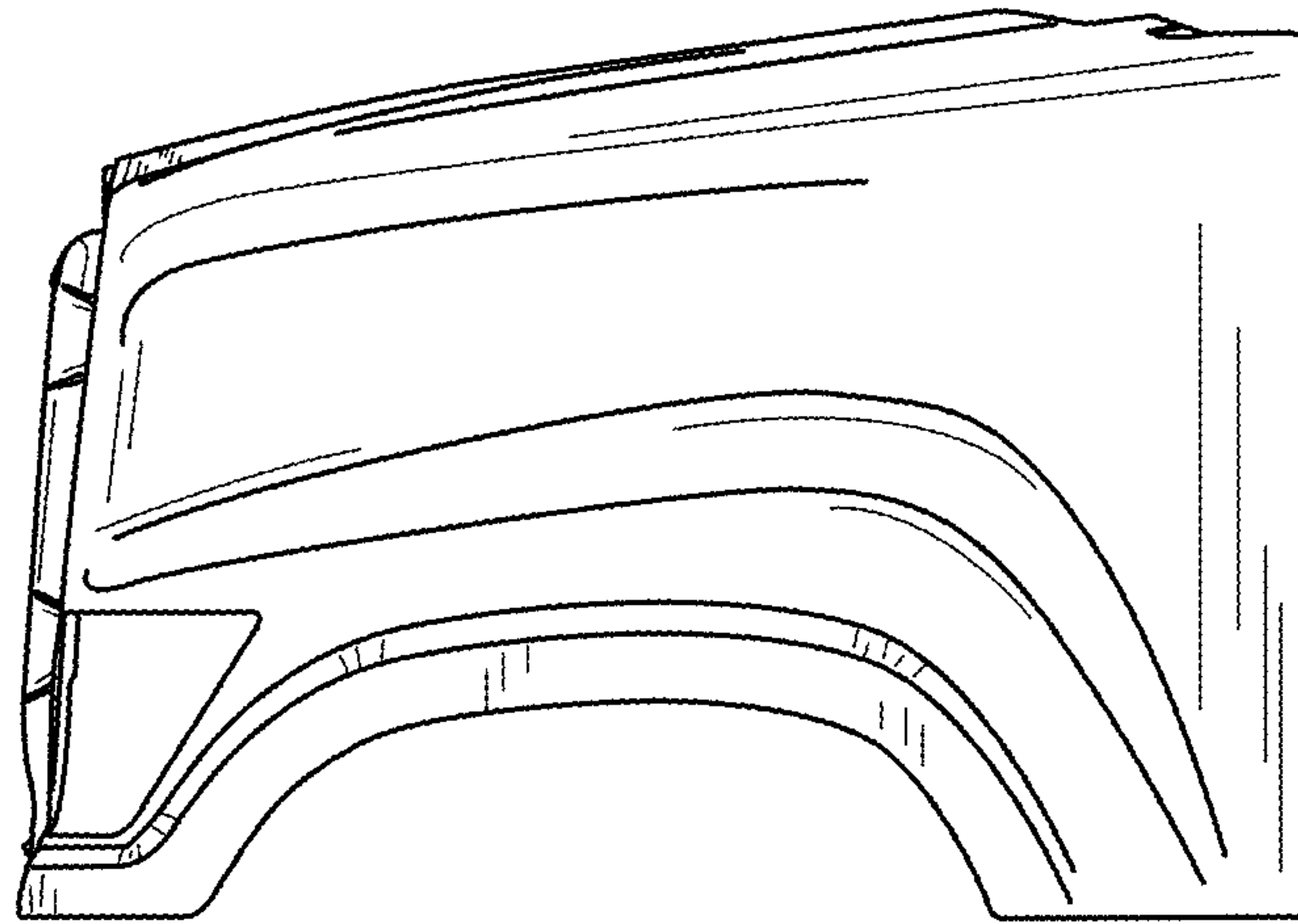


FIG. 3

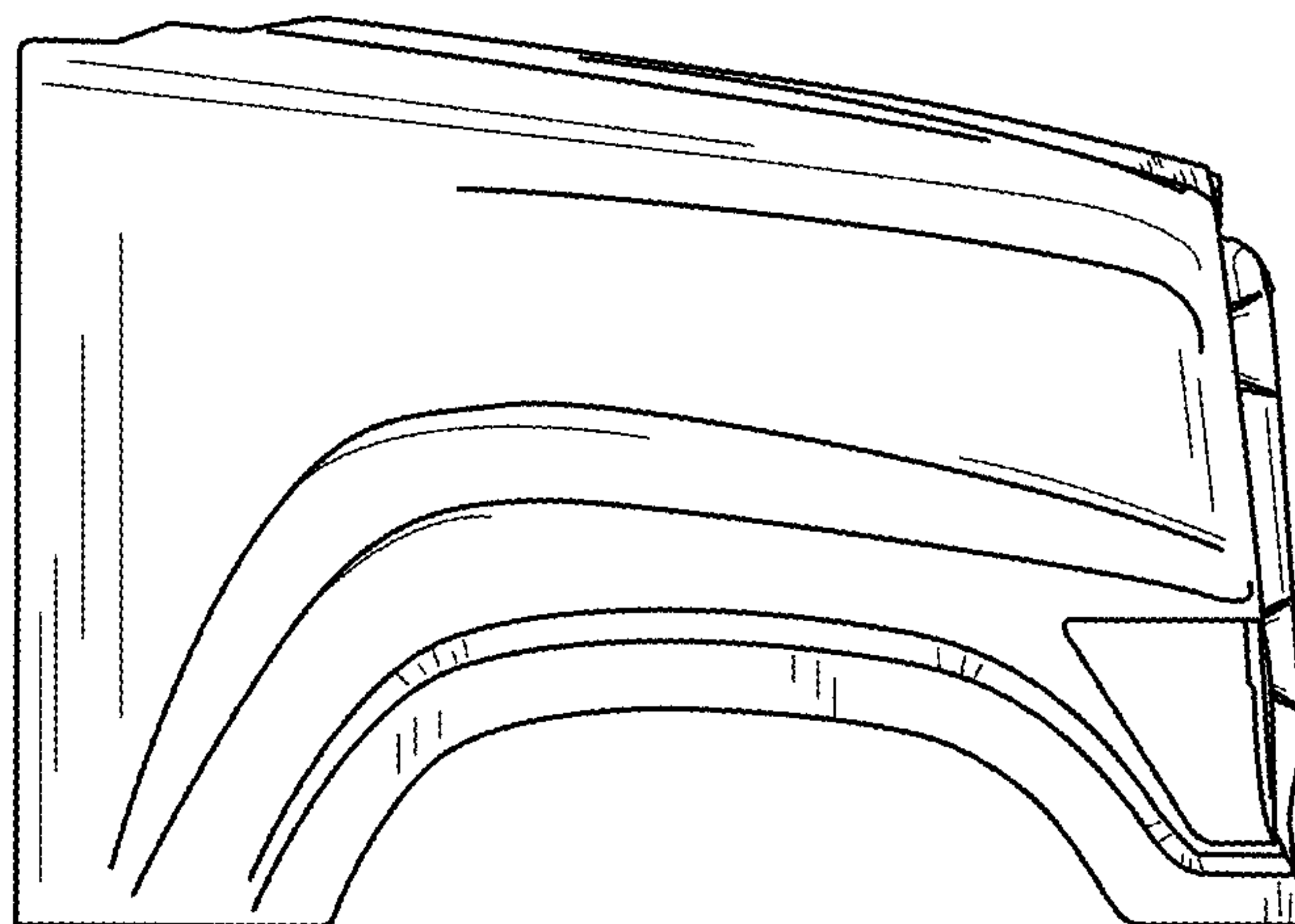


FIG. 4

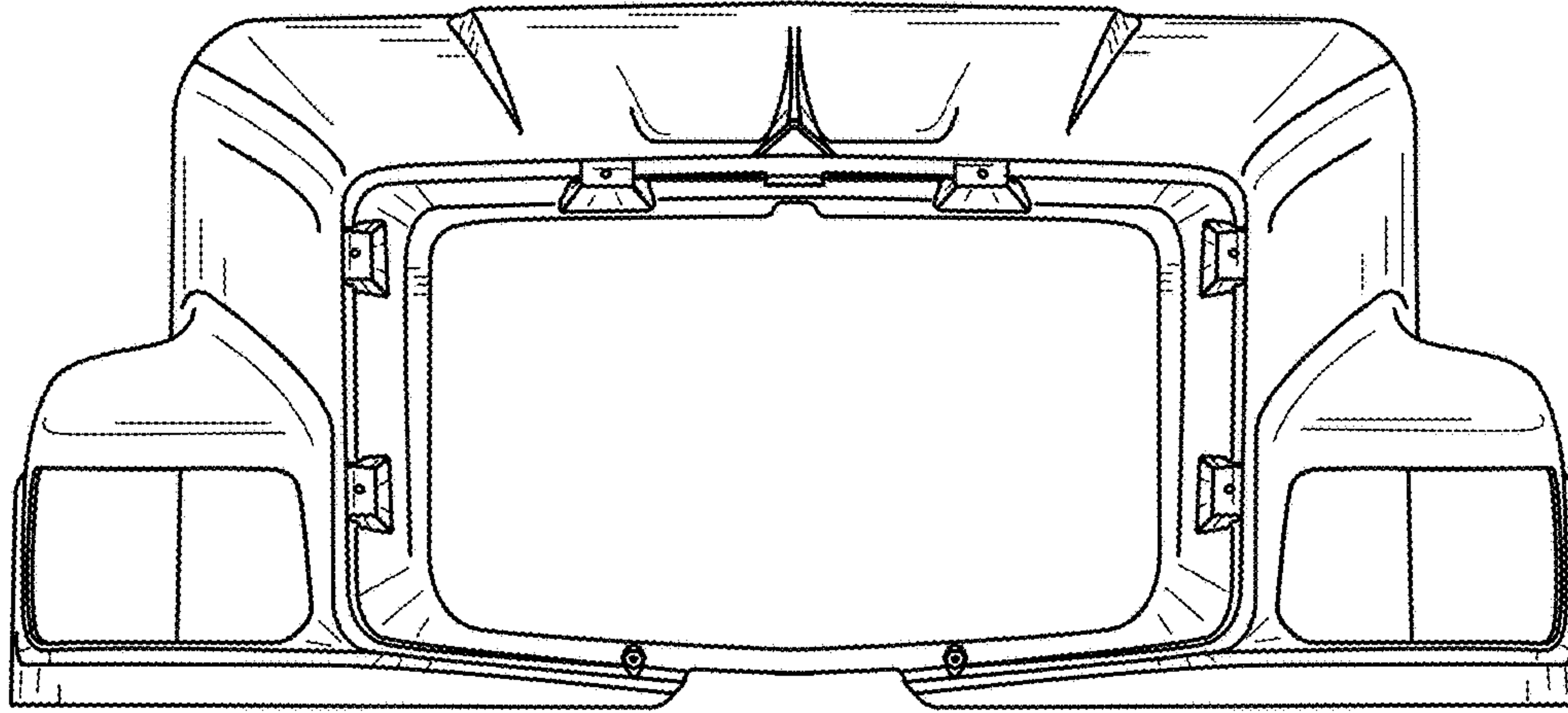


FIG. 5

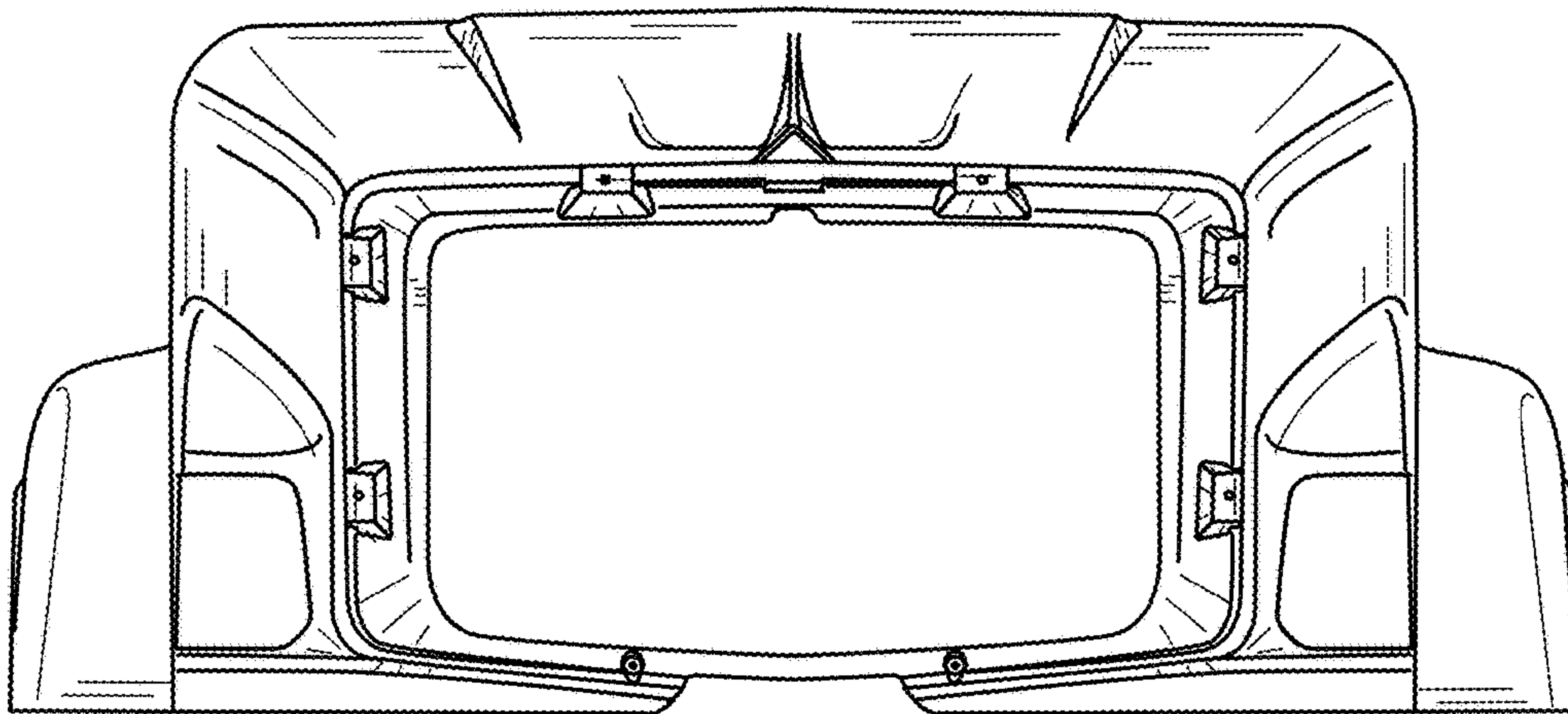


FIG. 6