



US00D778214S

(12) **United States Design Patent**  
**Kim et al.**

(10) **Patent No.:** **US D778,214 S**  
(45) **Date of Patent:** **\*\* Feb. 7, 2017**

(54) **FRONT BUMPER COVER FOR AN  
AUTOMOBILE**

D763,145 S \* 8/2016 Tsutamori ..... D12/169  
D770,336 S \* 11/2016 Liu ..... D12/169

\* cited by examiner

(71) Applicant: **HYUNDAI MOTOR COMPANY,**  
Seoul (KR)

*Primary Examiner* — Melody N Brown

(72) Inventors: **Sang Woo Kim,** Gyeonggi-do (KR);  
**Seung Jin Kim,** Gyeonggi-do (KR)

(74) *Attorney, Agent, or Firm* — Mintz Levin Cohn Ferris  
Glovsky and Popeo, P.C.; Kongsik Kim

(73) Assignee: **Hyundai Motor Company,** Seoul (KR)

(57) **CLAIM**

(\*\*) Term: **15 Years**

The ornamental design for a front bumper cover for an  
automobile, as shown and described.

(21) Appl. No.: **29/561,719**

(22) Filed: **Apr. 19, 2016**

**DESCRIPTION**

(30) **Foreign Application Priority Data**

Oct. 12, 2015 (KR) ..... 30-2015-0051131

(51) **LOC (10) Cl.** ..... **12-16**

(52) **U.S. Cl.**  
USPC ..... **D12/169**

(58) **Field of Classification Search**  
USPC .... D12/169, 216, 90-92, 86, 171, 196, 163;  
293/102, 113, 115, 117, 120; 296/180.1,  
296/180.2

CPC .. B60R 19/52; B60R 2019/25; B62D 25/0845  
See application file for complete search history.

FIG. 1 is a perspective view of a front bumper cover for an  
automobile according to the present invention.

FIG. 2 is another perspective view of the front bumper cover  
for an automobile of FIG. 1.

FIG. 3 is a front view of the front bumper cover for an  
automobile of FIG. 1.

FIG. 4 is a rear view of the front bumper cover for an  
automobile of FIG. 1.

FIG. 5 is a left side view of the front bumper cover for an  
automobile of FIG. 1.

FIG. 6 is a right side view of the front bumper cover for an  
automobile of FIG. 1.

FIG. 7 is a top view of the front bumper cover for an  
automobile of FIG. 1; and,

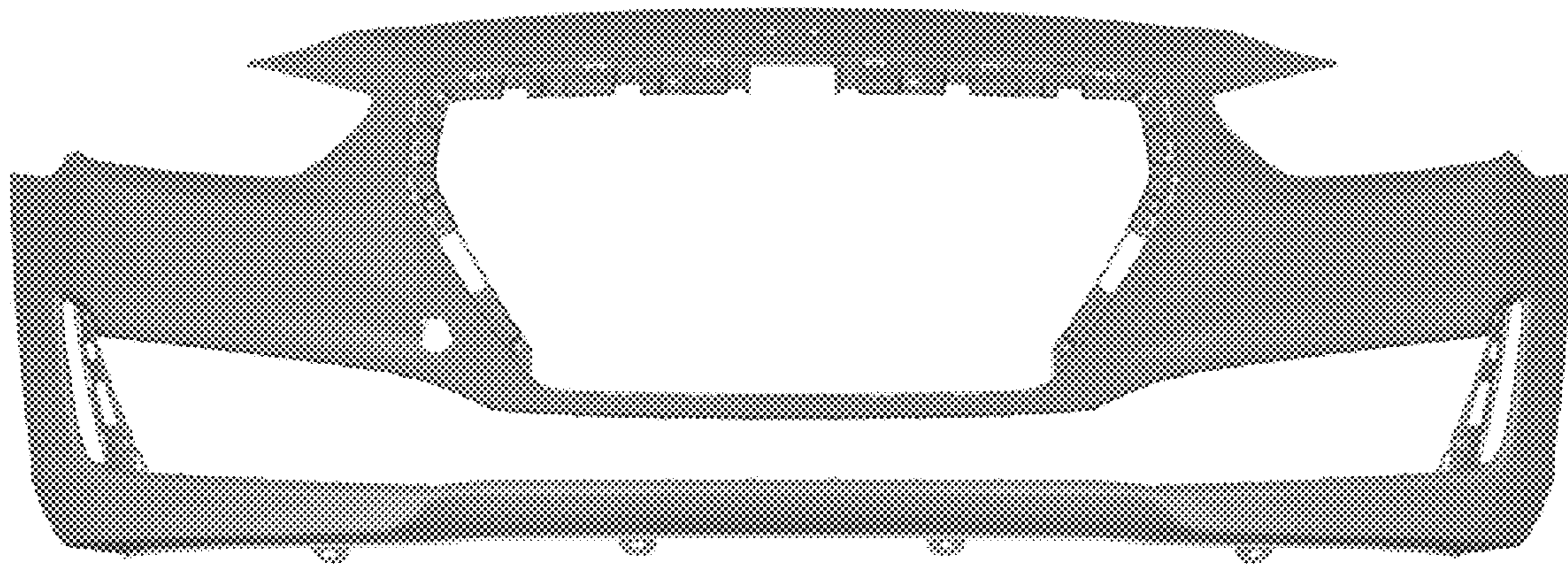
FIG. 8 is a bottom view of the front bumper cover for an  
automobile of FIG. 1.

(56) **References Cited**

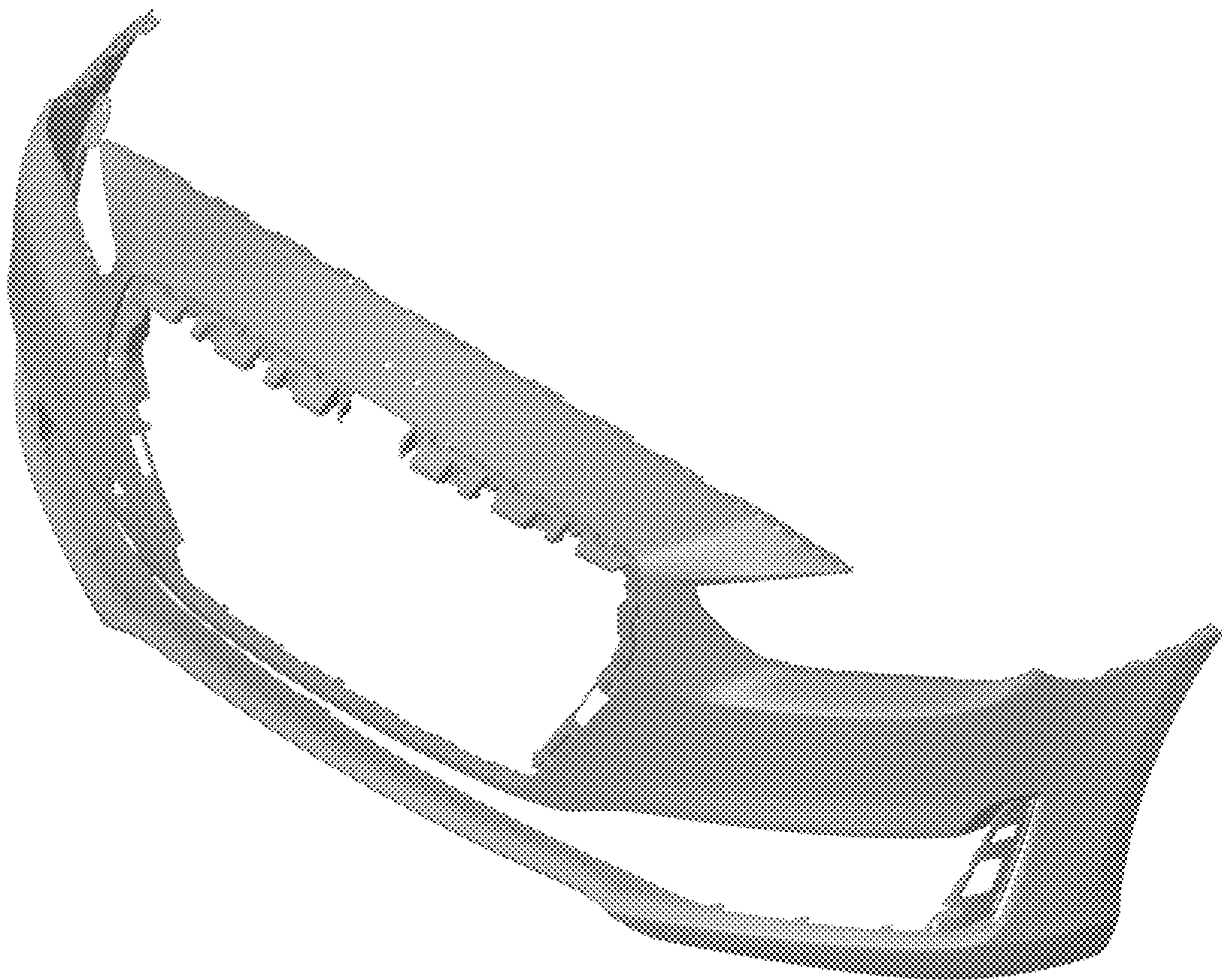
**U.S. PATENT DOCUMENTS**

D749,021 S \* 2/2016 Boniface ..... D12/169  
D758,260 S \* 6/2016 Lesnik ..... D12/169

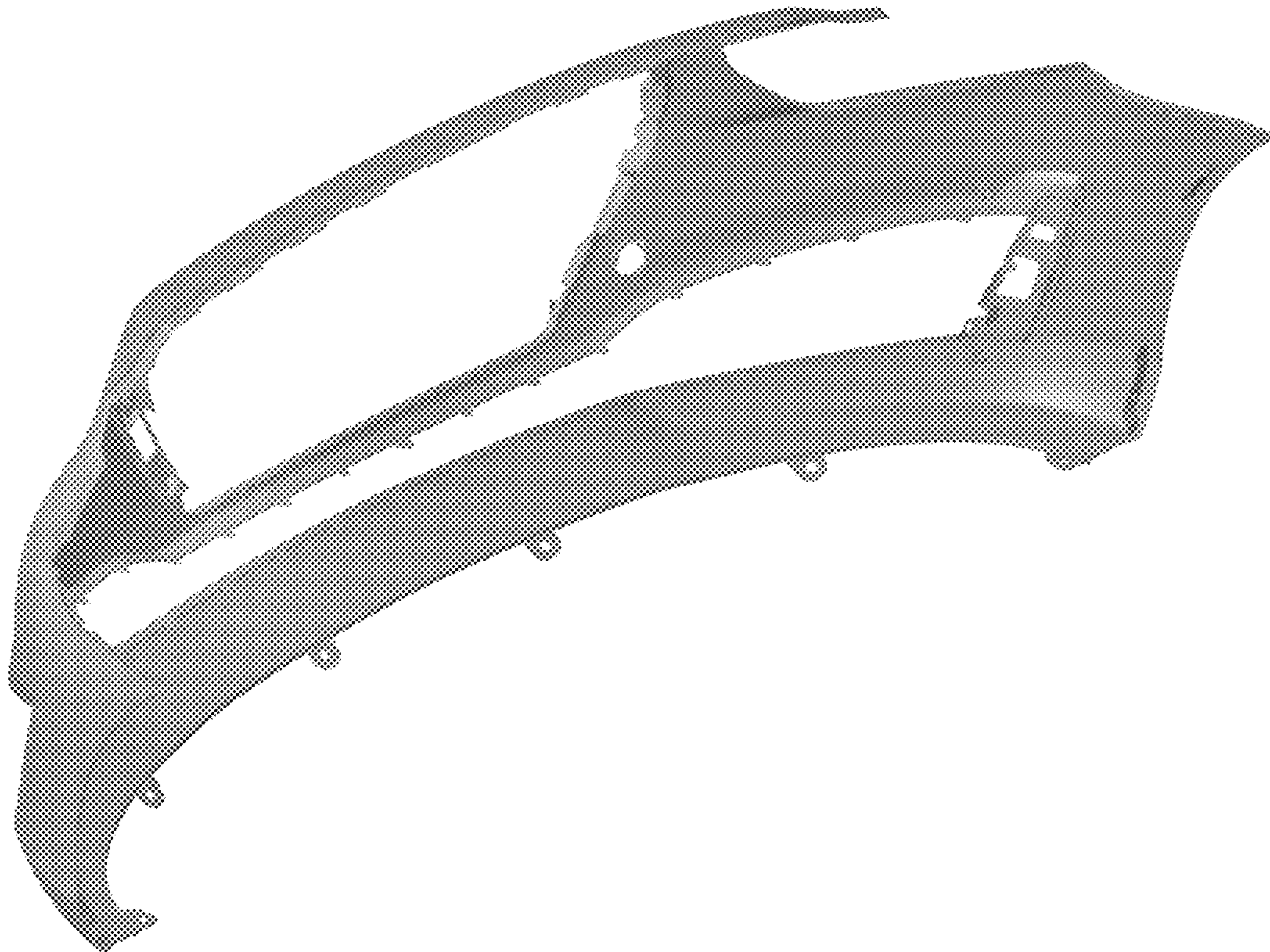
**1 Claim, 8 Drawing Sheets**



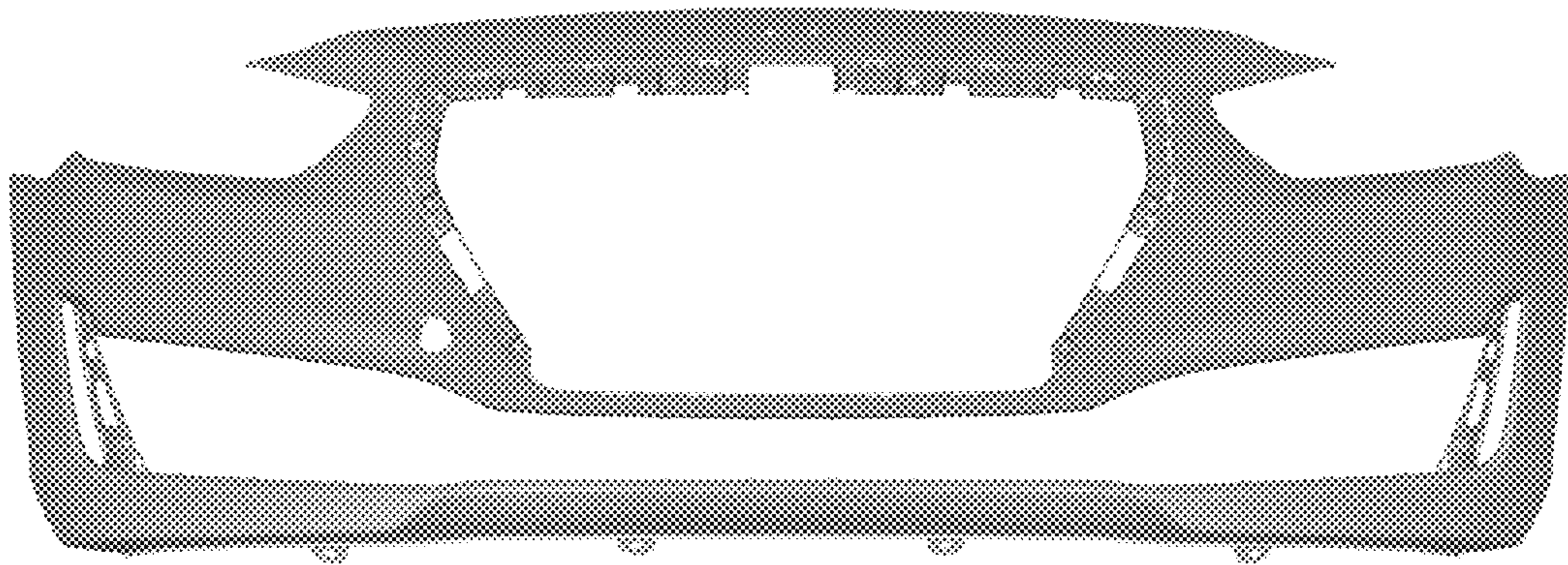
**FIG. 1**



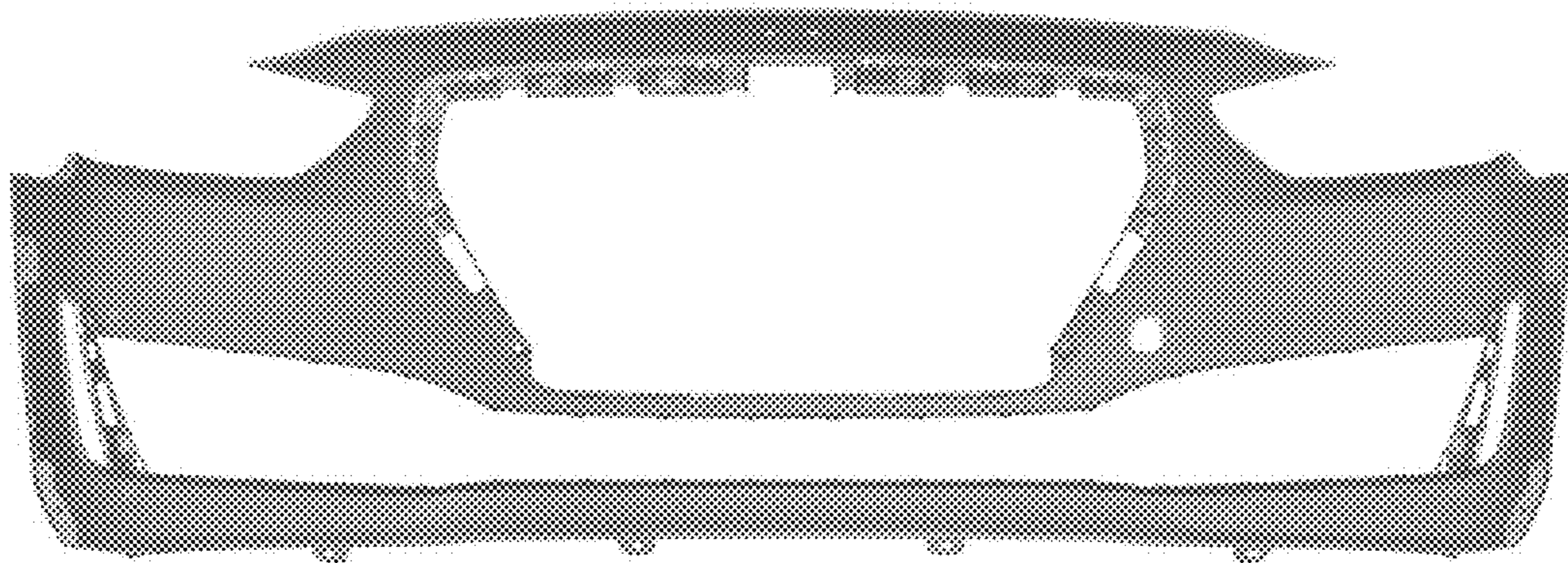
**FIG. 2**



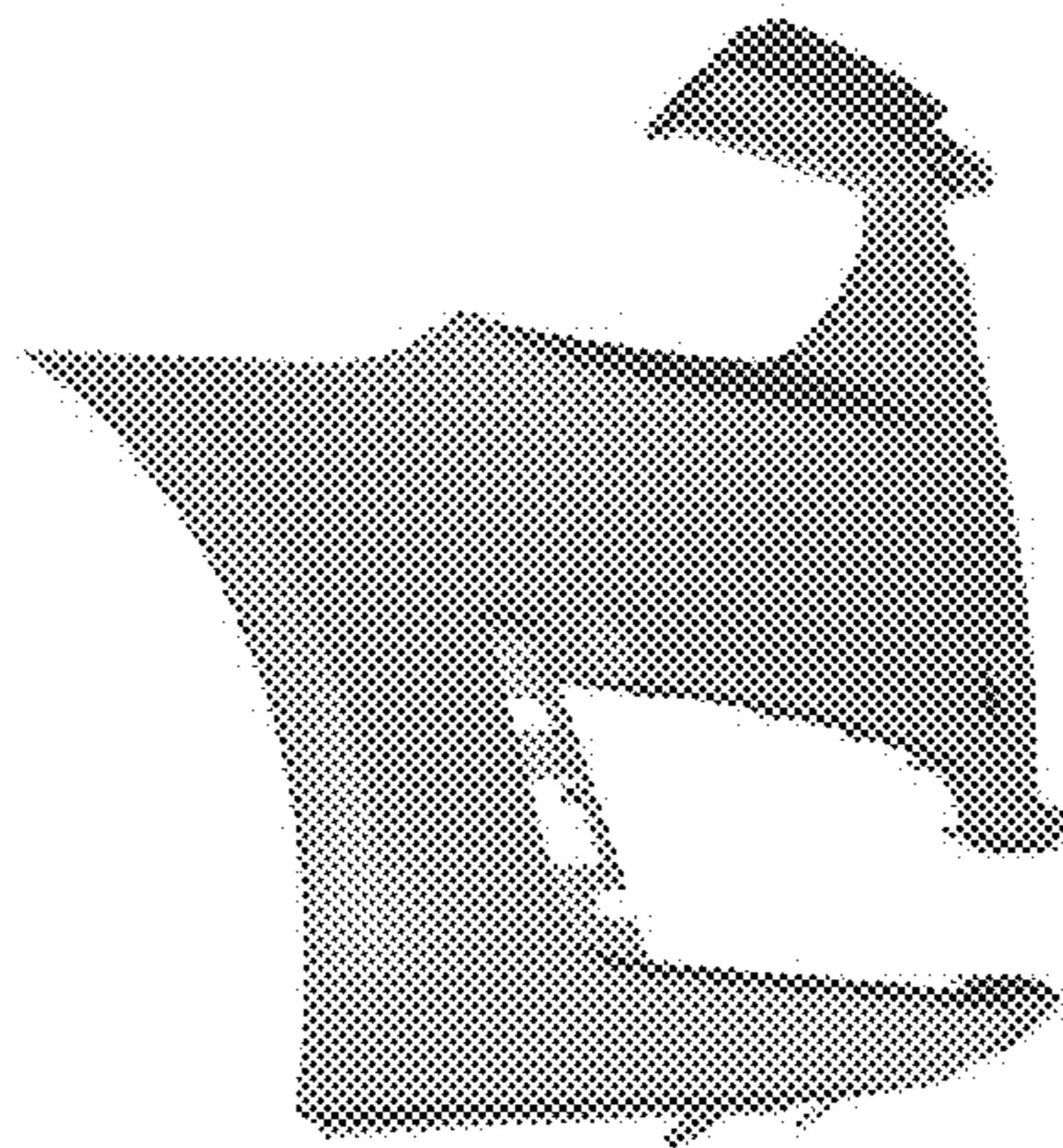
**FIG. 3**



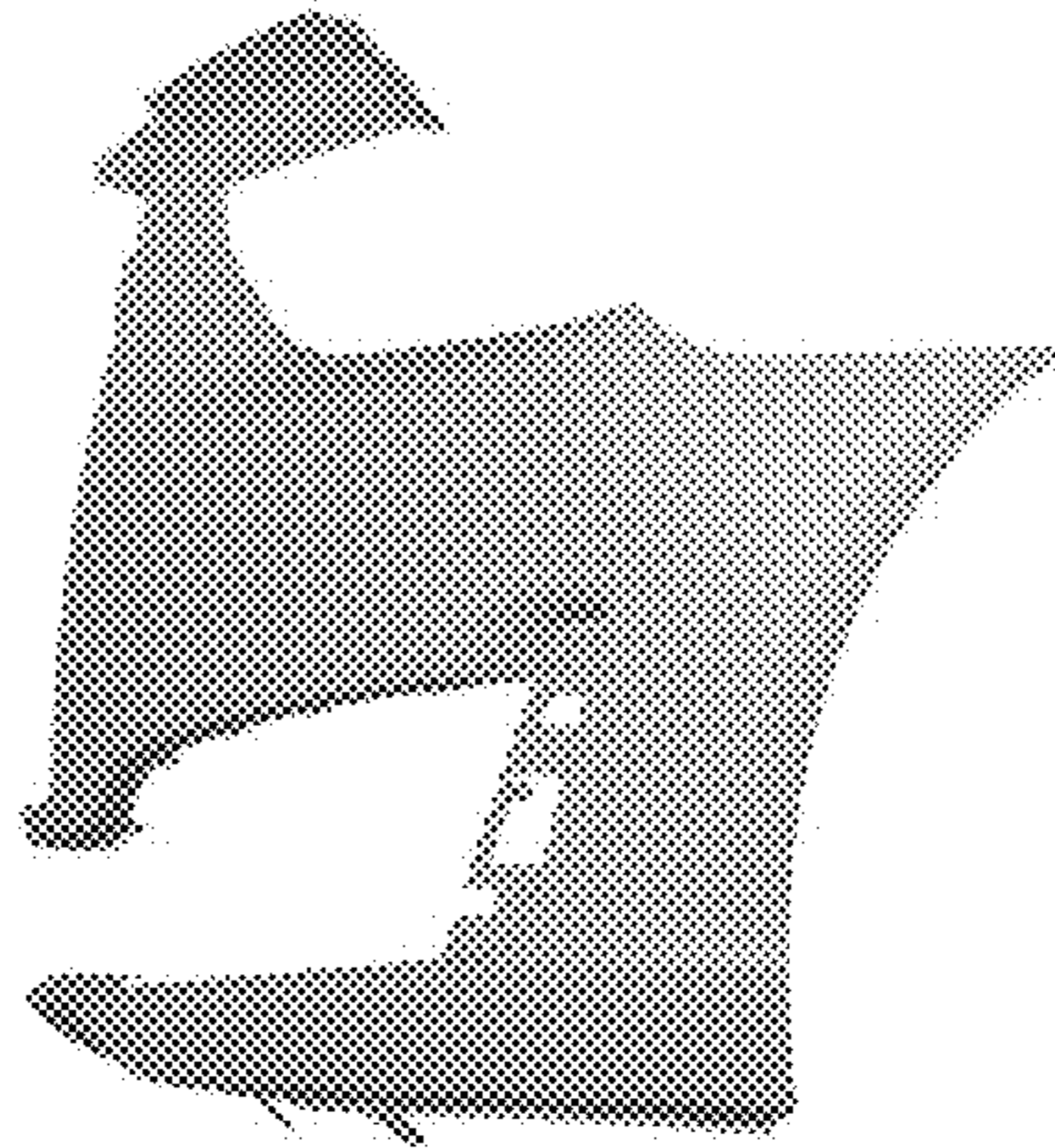
**FIG. 4**



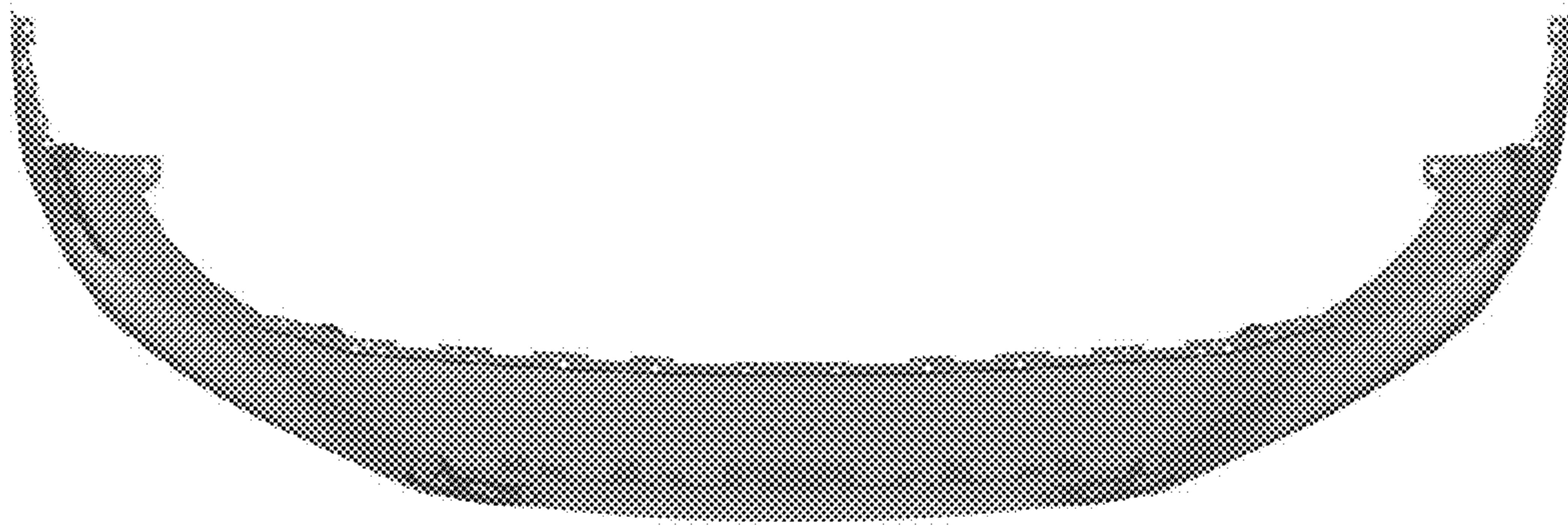
**FIG. 5**



**FIG. 6**



**FIG. 7**





**FIG. 8**

