



US00D778210S

(12) **United States Design Patent** (10) **Patent No.:** **US D778,210 S**
Corso (45) **Date of Patent:** **** Feb. 7, 2017**

(54) **WALKER**
(71) Applicant: **KIDS II, INC.**, Atlanta, GA (US)
(72) Inventor: **Daniel Corso**, Atlanta, GA (US)
(73) Assignee: **Kids II, Inc.**
(**) Term: **15 Years**
(21) Appl. No.: **29/542,152**
(22) Filed: **Oct. 12, 2015**
(51) **LOC (10) Cl.** **12-12**
(52) **U.S. Cl.**
USPC **D12/133**
(58) **Field of Classification Search**
USPC D12/128-133; D21/419, 424, 426, 433,
D21/533, 548, 562
CPC A47D 13/043; A47D 13/107; A47D 13/04;
A47D 13/005; A47D 3/00
See application file for complete search history.

D627,009 S * 11/2010 Lu D12/130
D630,259 S * 1/2011 Lu D12/130
D679,337 S * 4/2013 Lai D12/133
D702,599 S * 4/2014 Lu D12/130
2003/0184036 A1* 10/2003 Wu A47D 15/00
280/87.051

* cited by examiner

Primary Examiner — Charles Hanson

(57) **CLAIM**

I claim the ornamental design for a walker, substantially as shown and described.

DESCRIPTION

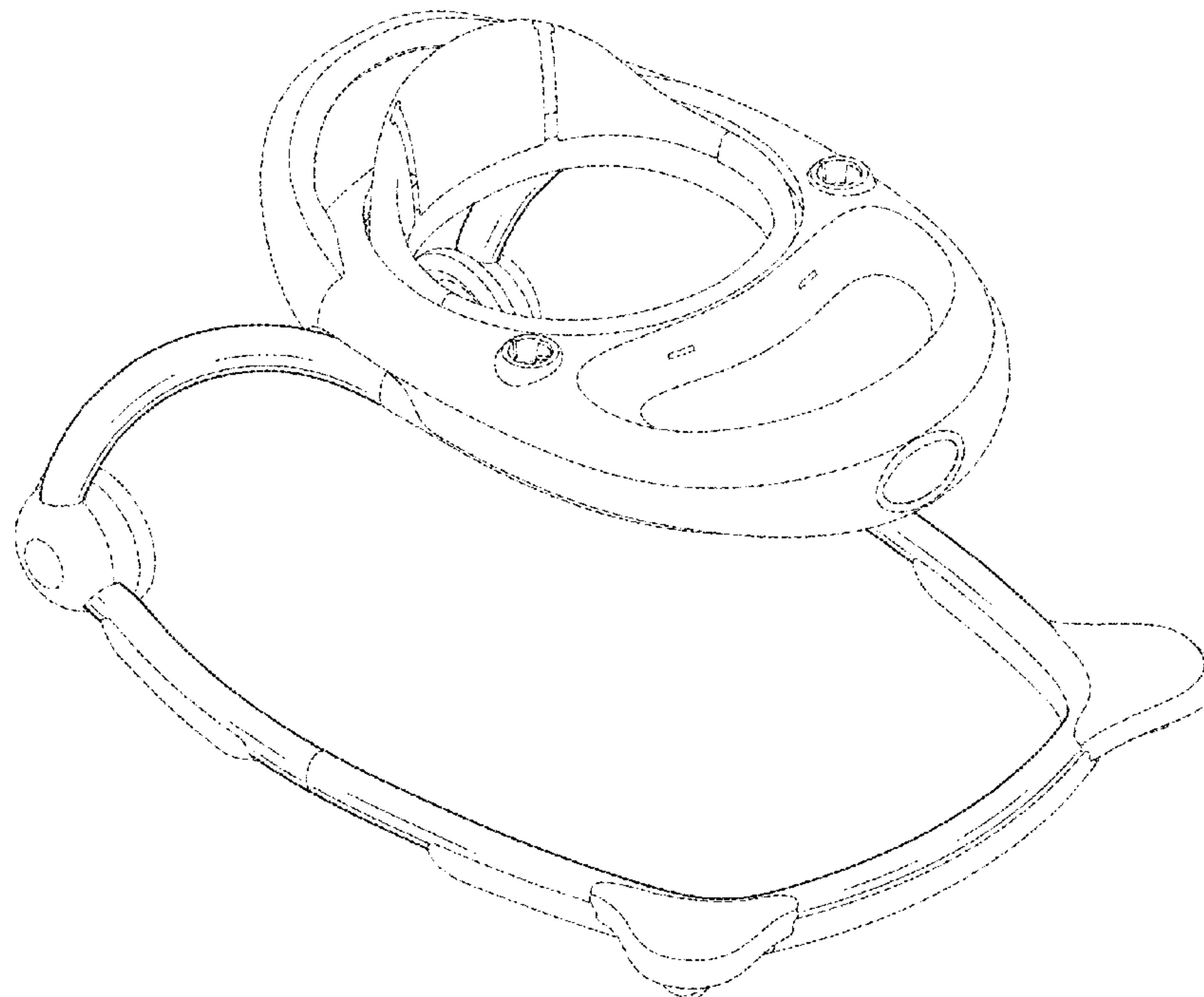
FIG. 1 is a perspective view of a walker showing my new design;
FIG. 2 is a side elevation view of the walker of FIG. 1, the opposite side being a mirror image thereof.
FIG. 3 is a front elevation view of the walker of FIG. 1.
FIG. 4 is a top plan view of the walker of FIG. 1.
FIG. 5 is a back elevation view of the walker of FIG. 1.
FIG. 6 is a bottom plan view of the walker of FIG. 1.
FIG. 7 is a perspective view of a walker according to another embodiment of the design of FIG. 1;
FIG. 8 is a side elevation view of the walker of FIG. 7, the opposite side being a mirror image thereof.
FIG. 9 is a front elevation view of the walker of FIG. 7.
FIG. 10 is a top plan view of the walker of FIG. 7.
FIG. 11 is a back elevation view of the walker of FIG. 7; and, FIG. 12 is a bottom plan view of the walker of FIG. 7.
The broken line showing is included for the purpose of illustrating unclaimed subject matter and forms no part of the claimed design.

(56) **References Cited**

U.S. PATENT DOCUMENTS

6,231,056 B1* 5/2001 Wu A47D 1/02
280/1.188
D445,143 S * 7/2001 Bellows D12/130
D451,052 S * 11/2001 Lu D12/130
D466,843 S * 12/2002 Paesang D12/130
D475,325 S * 6/2003 Wu D12/133
6,863,287 B2* 3/2005 Myers A47D 13/043
135/67
D587,764 S * 3/2009 Cheng D12/130
D612,302 S * 3/2010 Cheng D12/133

1 Claim, 6 Drawing Sheets



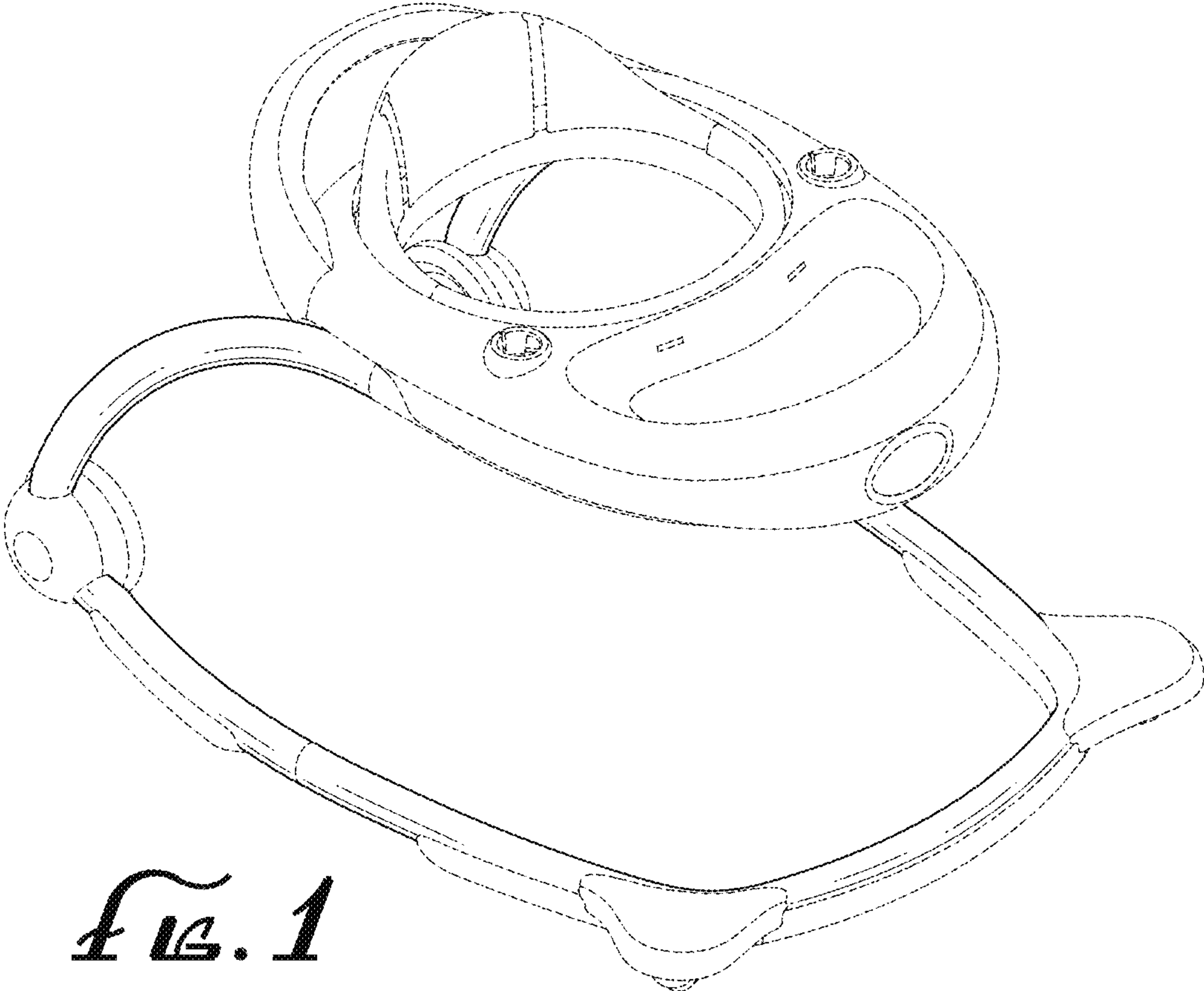


FIG. 1

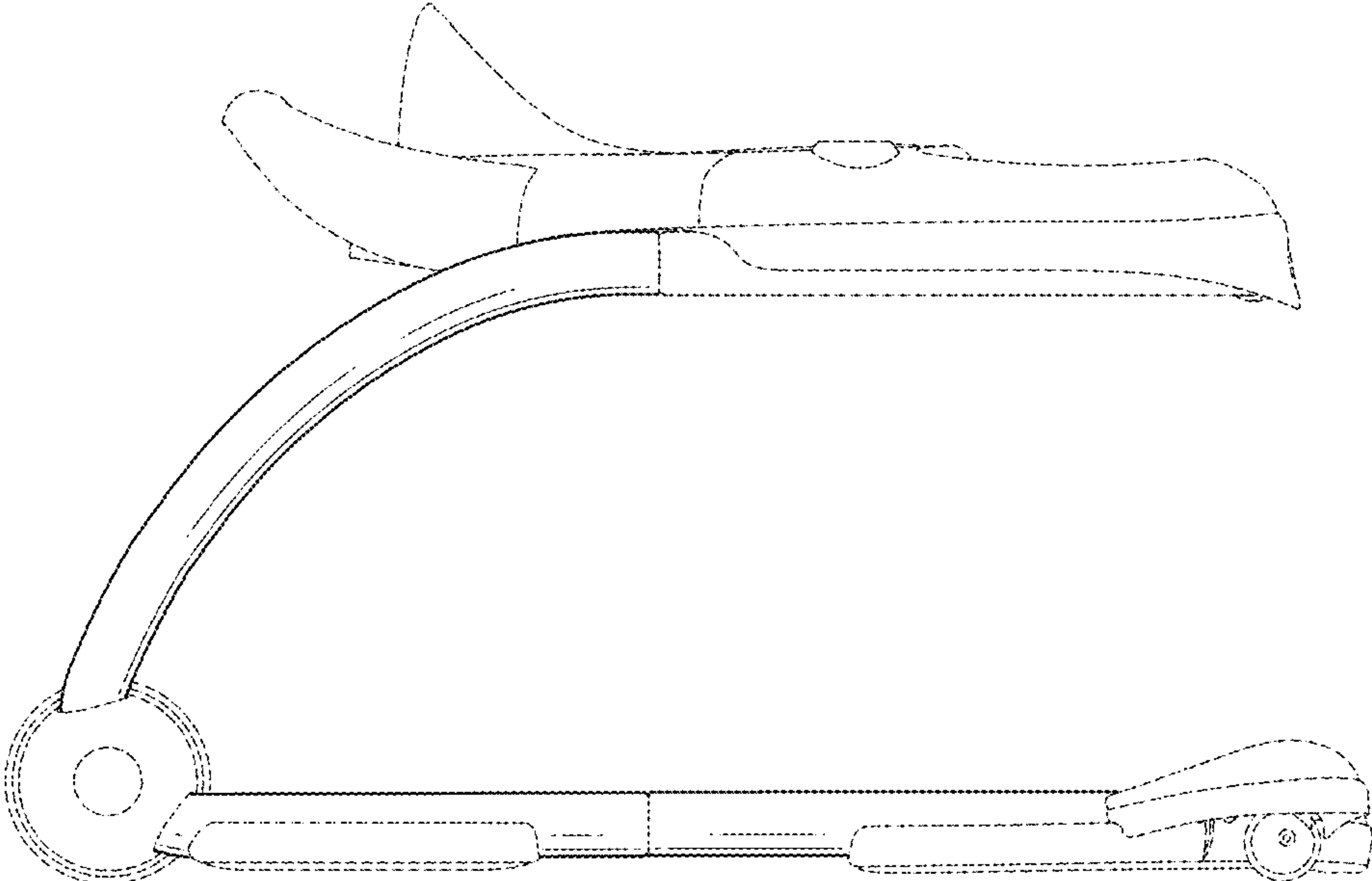


FIG. 2

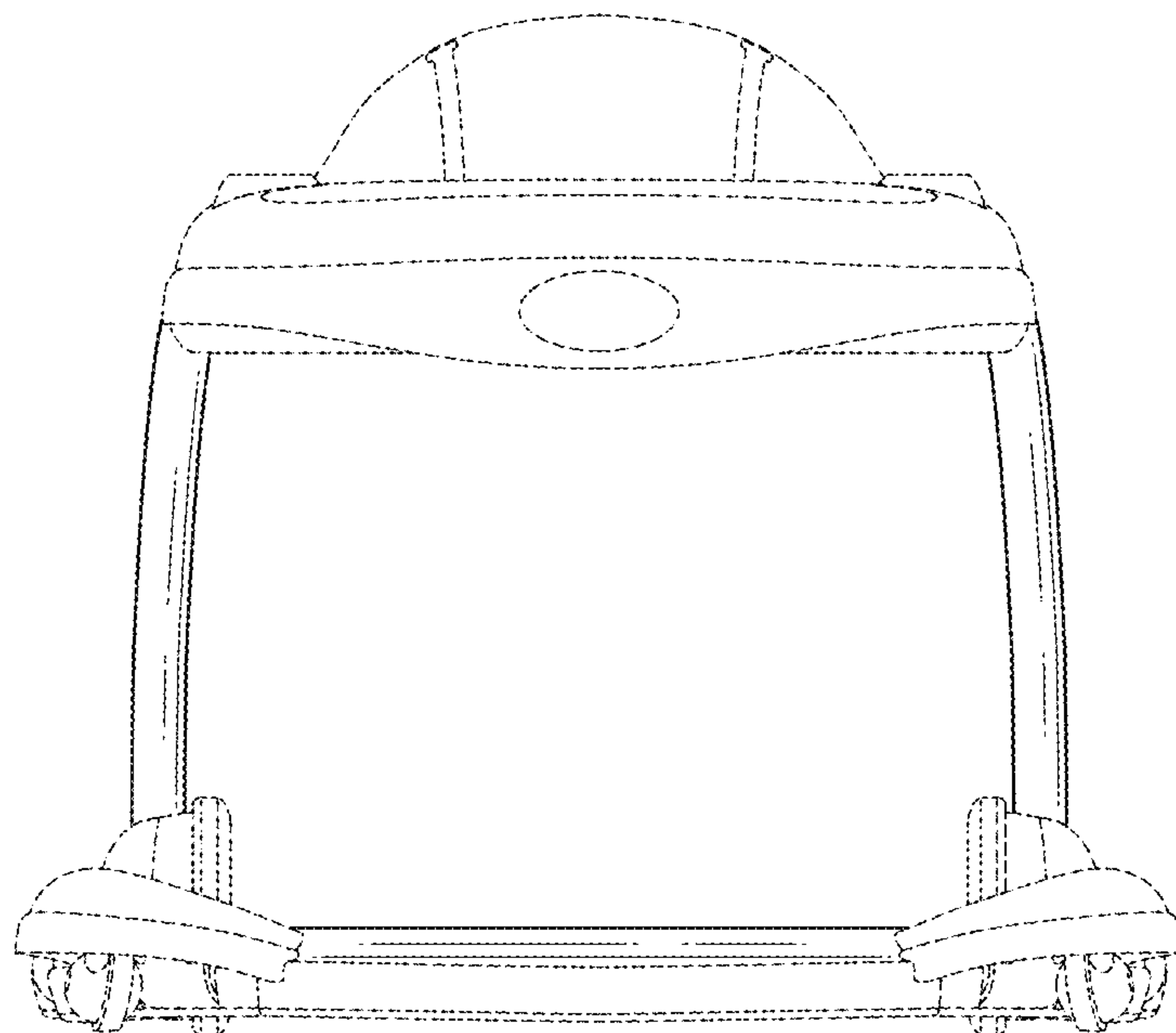


FIG. 3

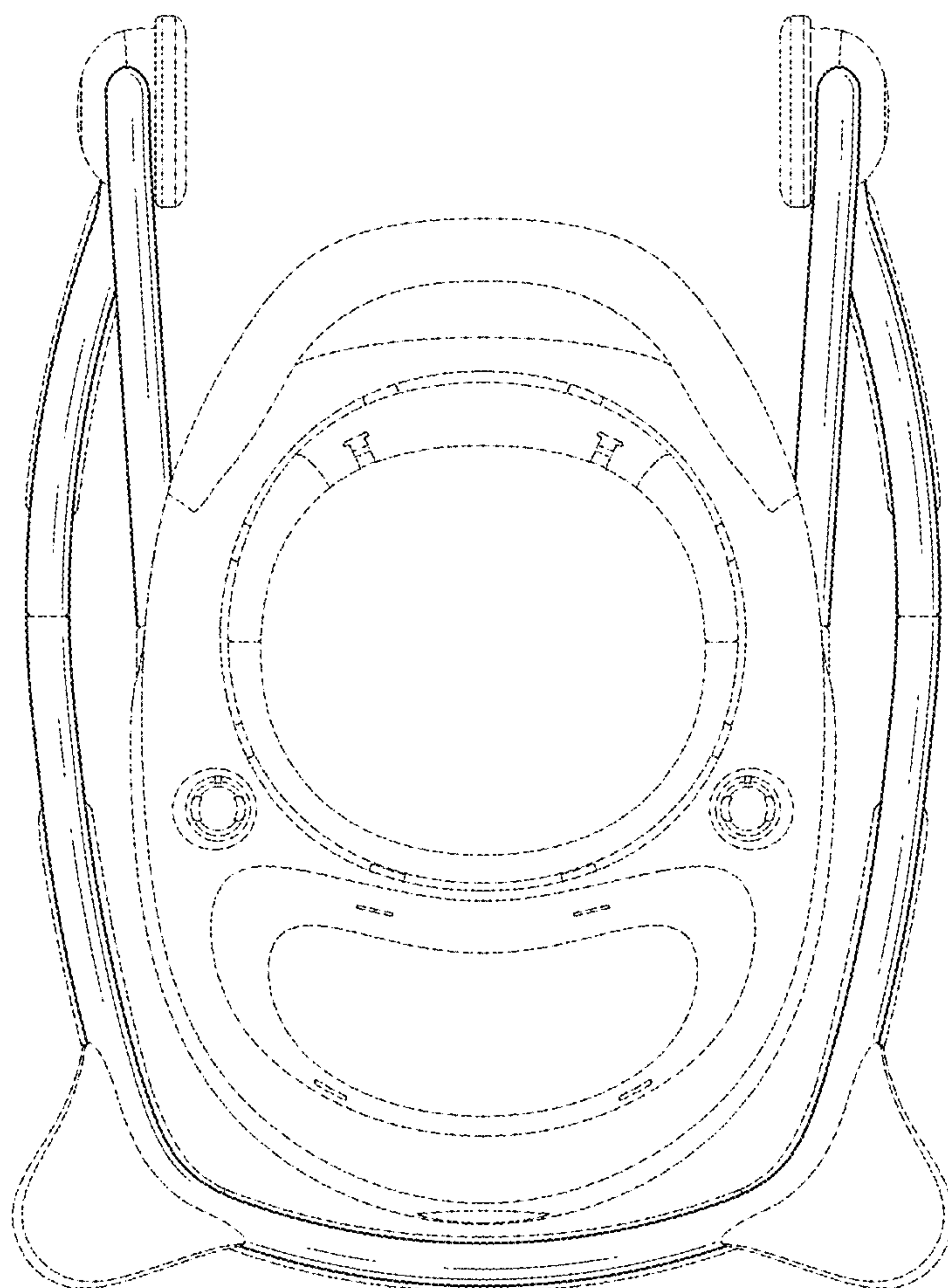


FIG. 4

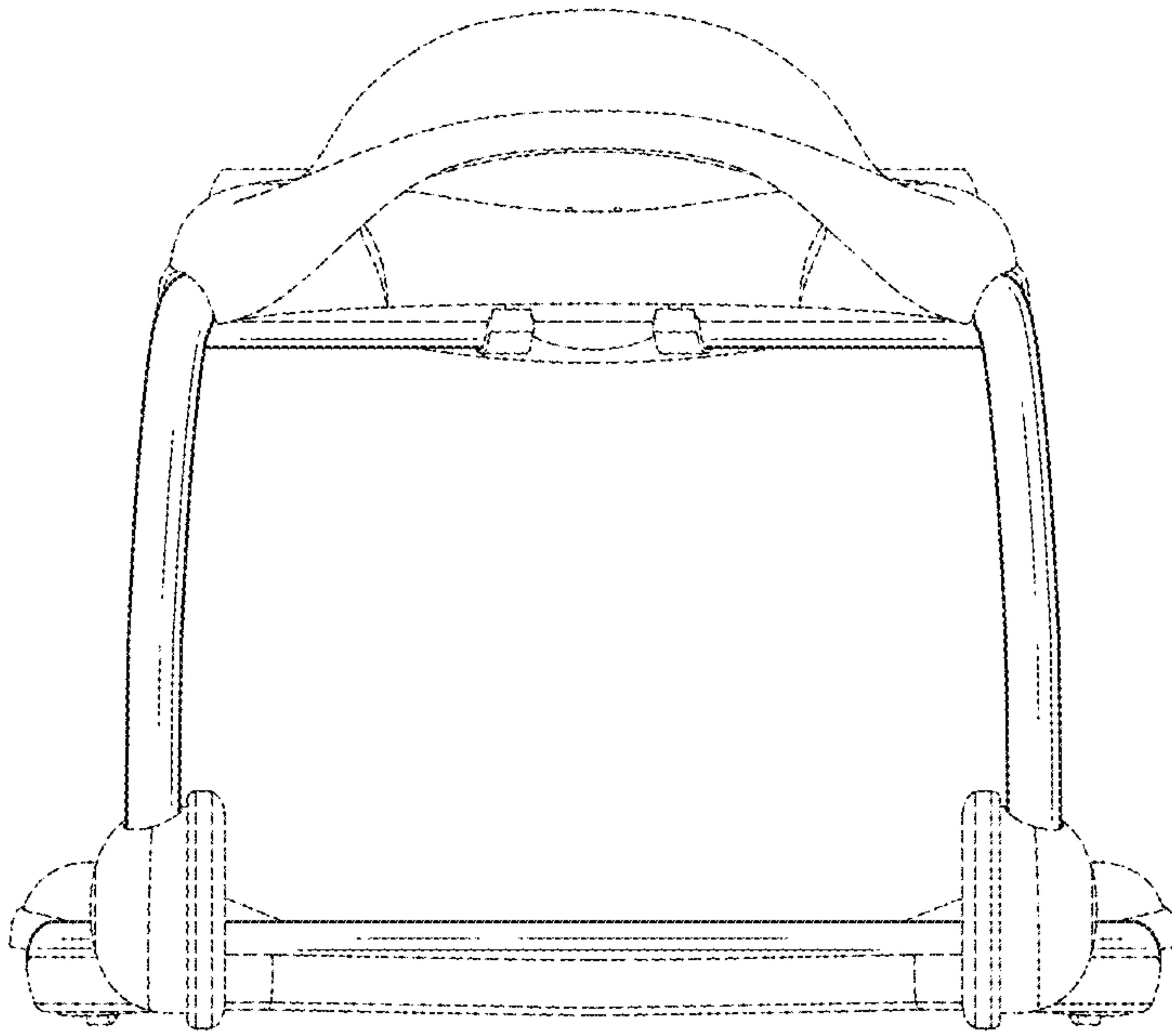


FIG. 5

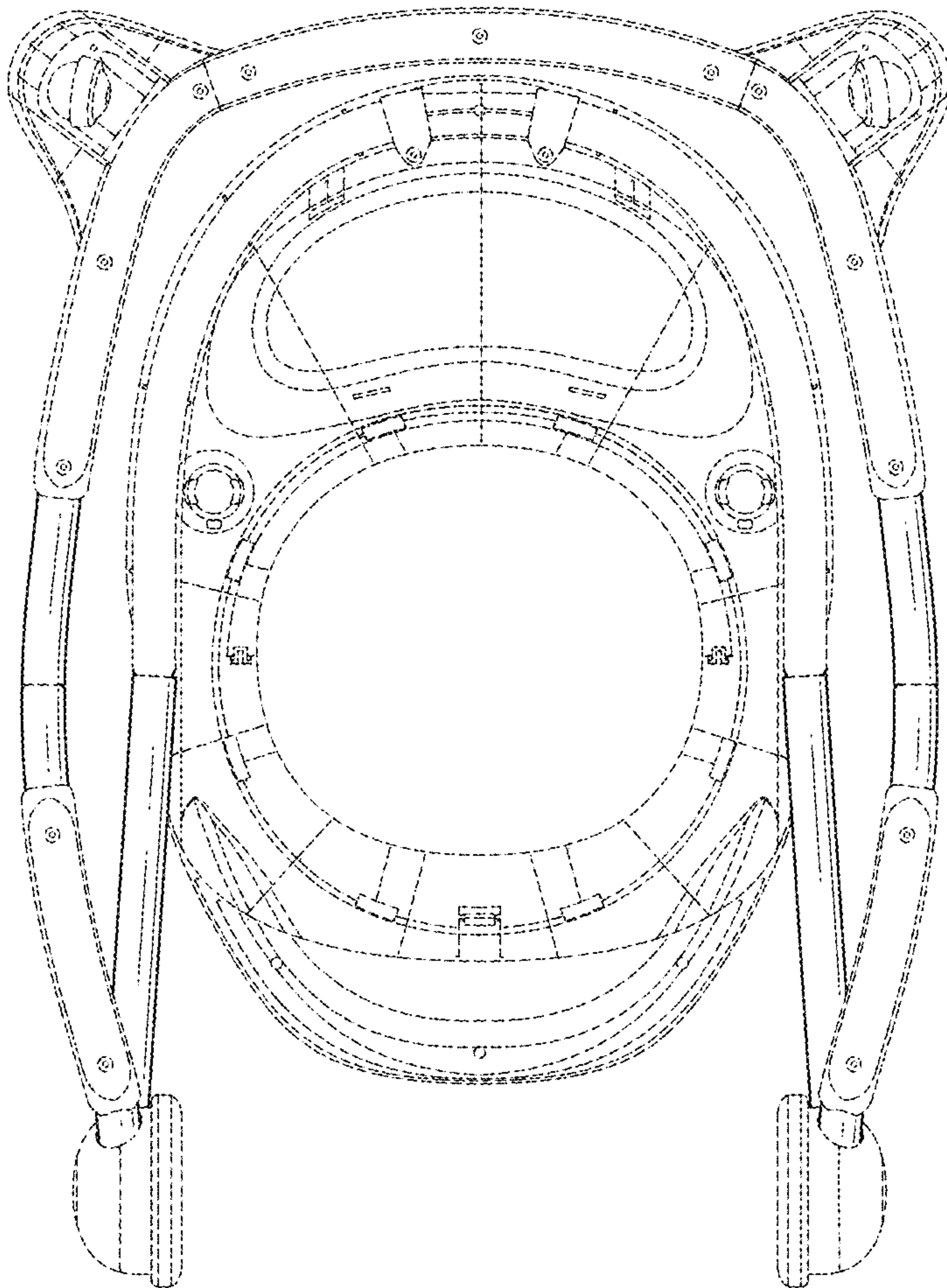


FIG. 6

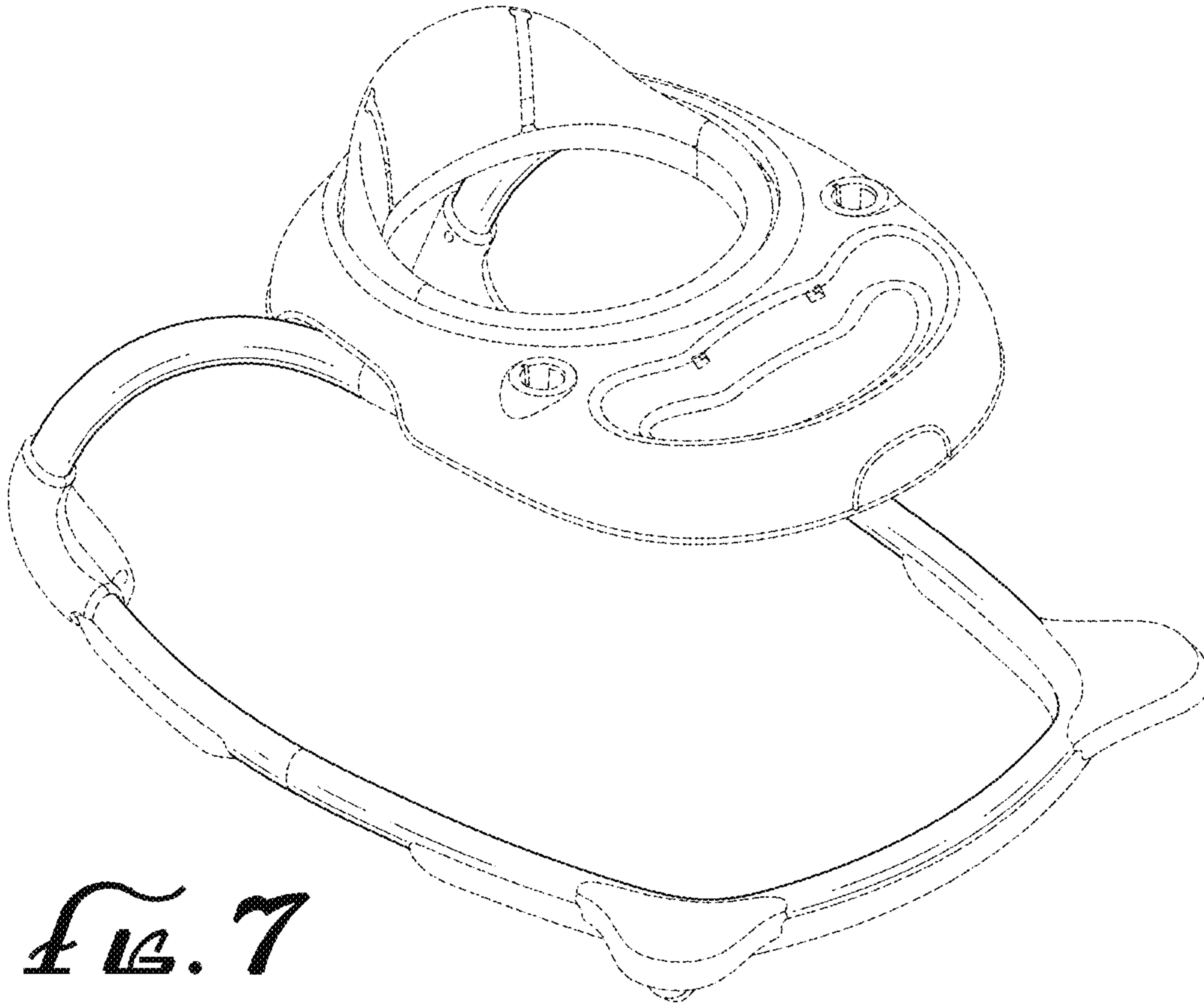


FIG. 7

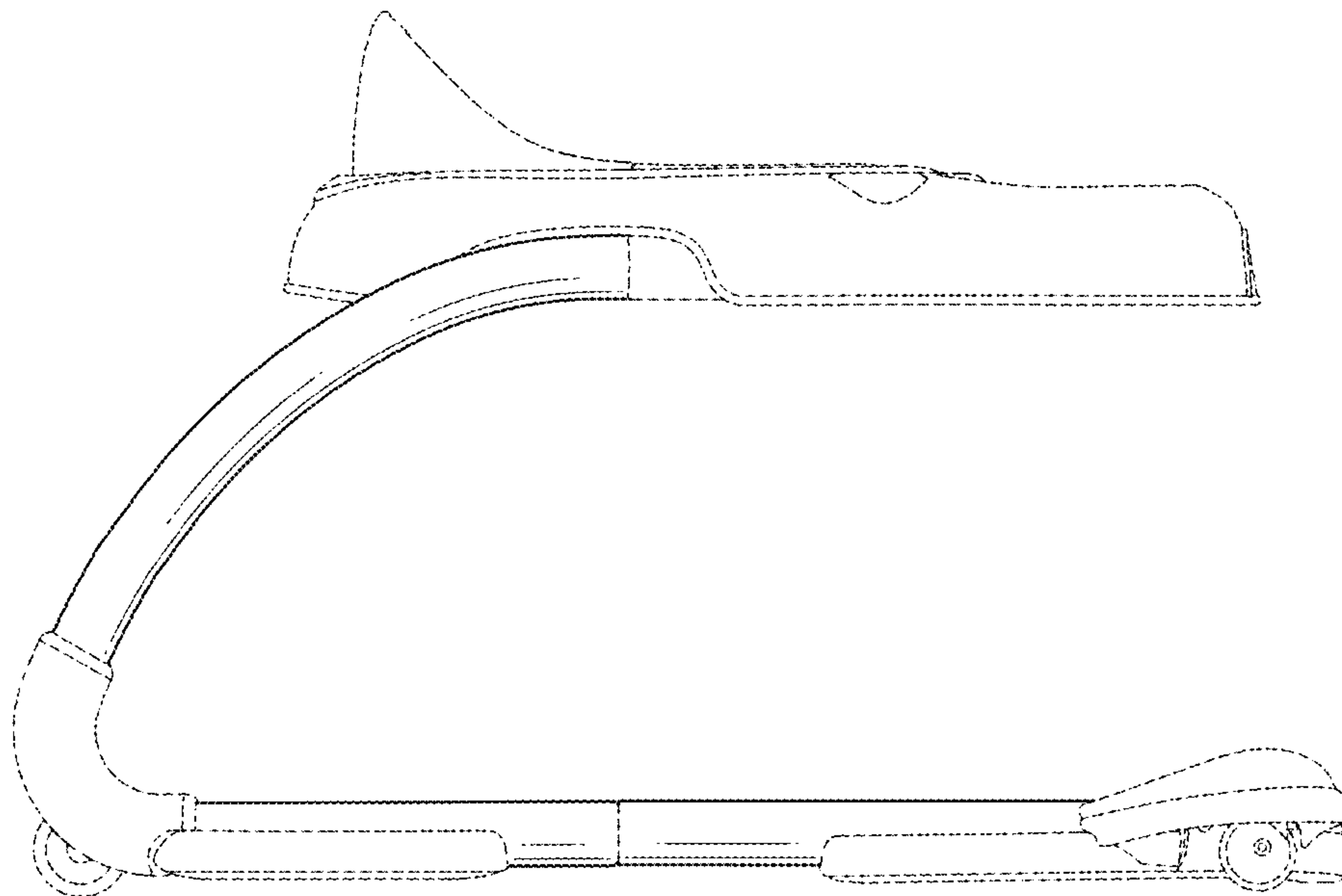


FIG. 8

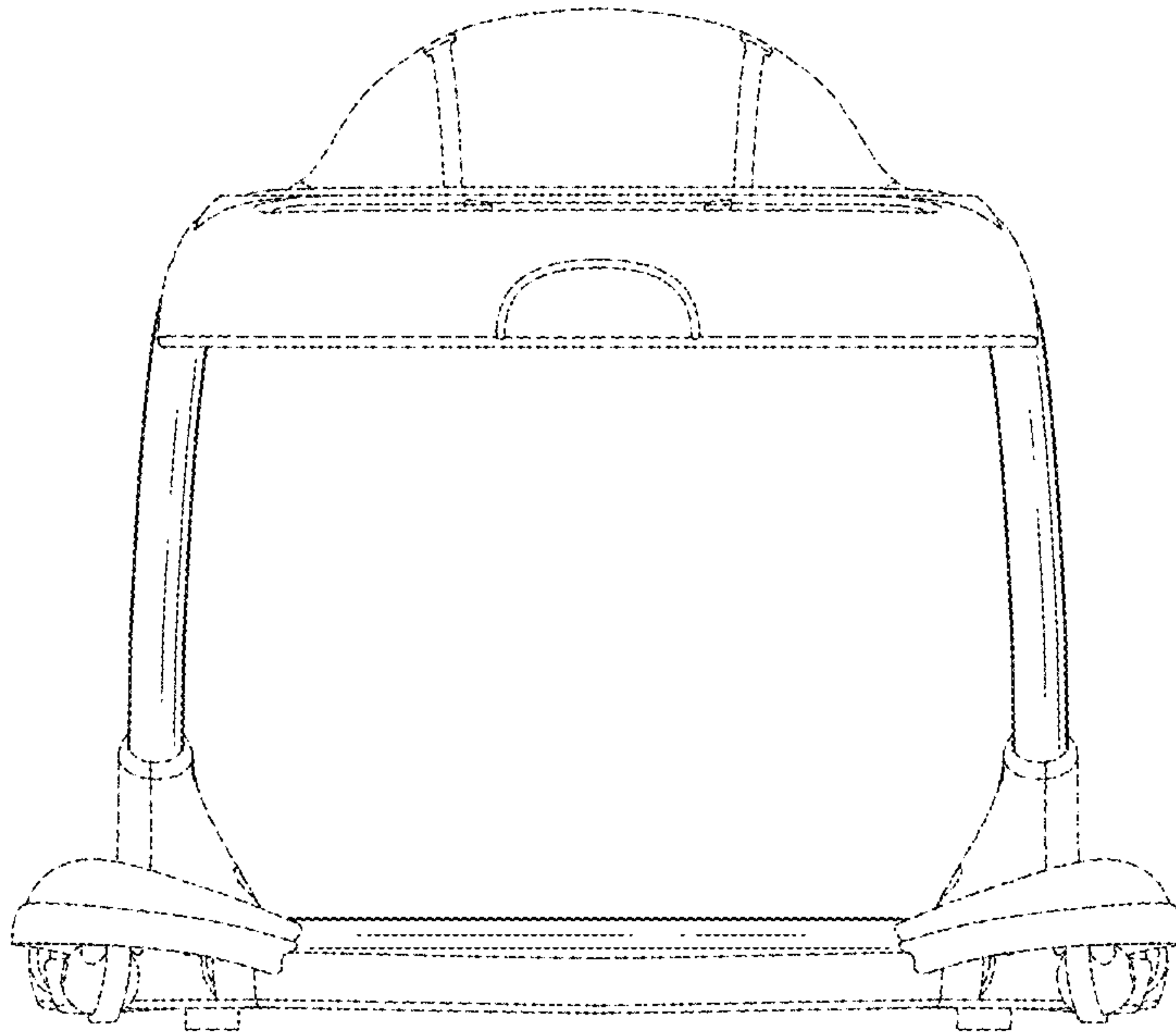


FIG. 9

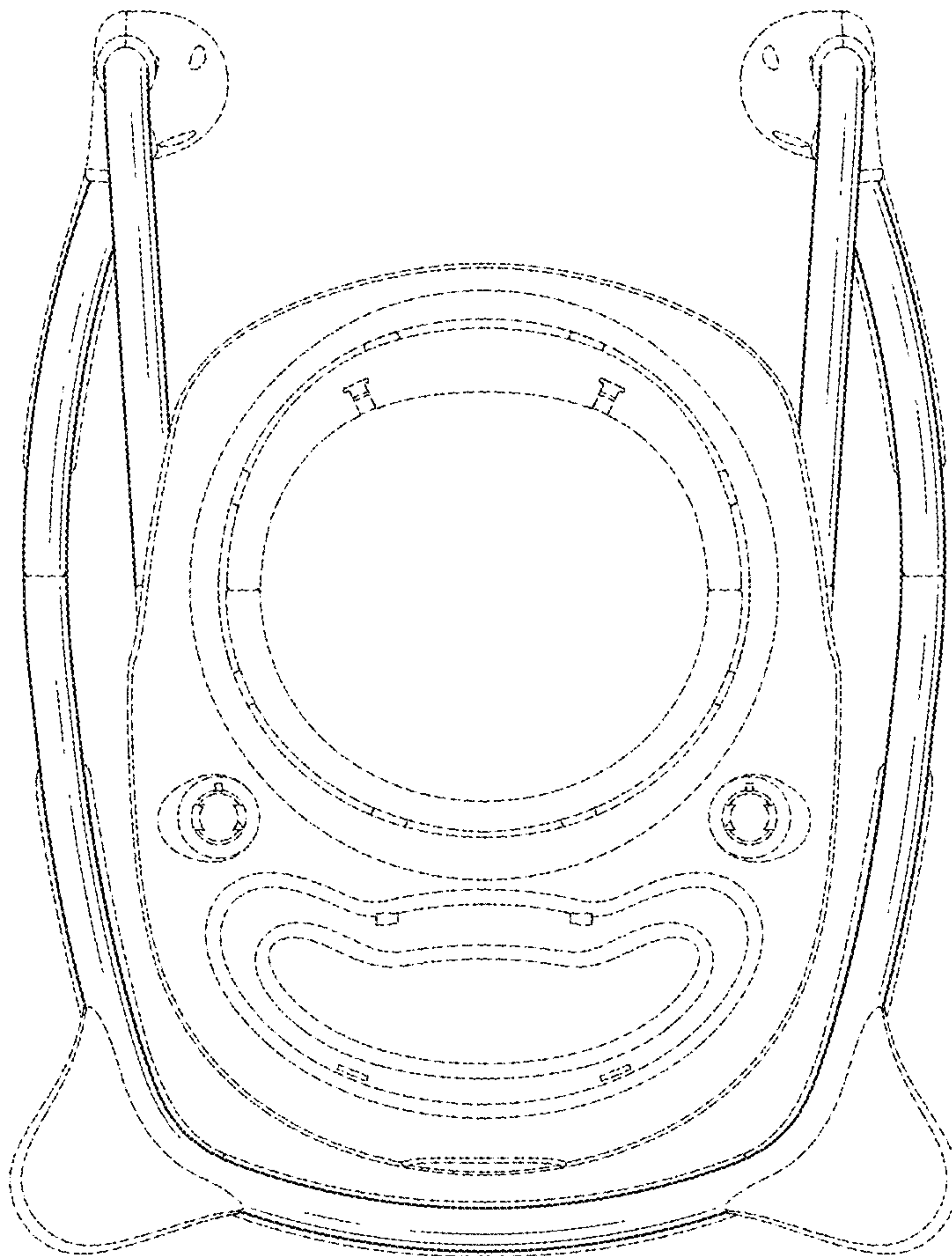


FIG. 10

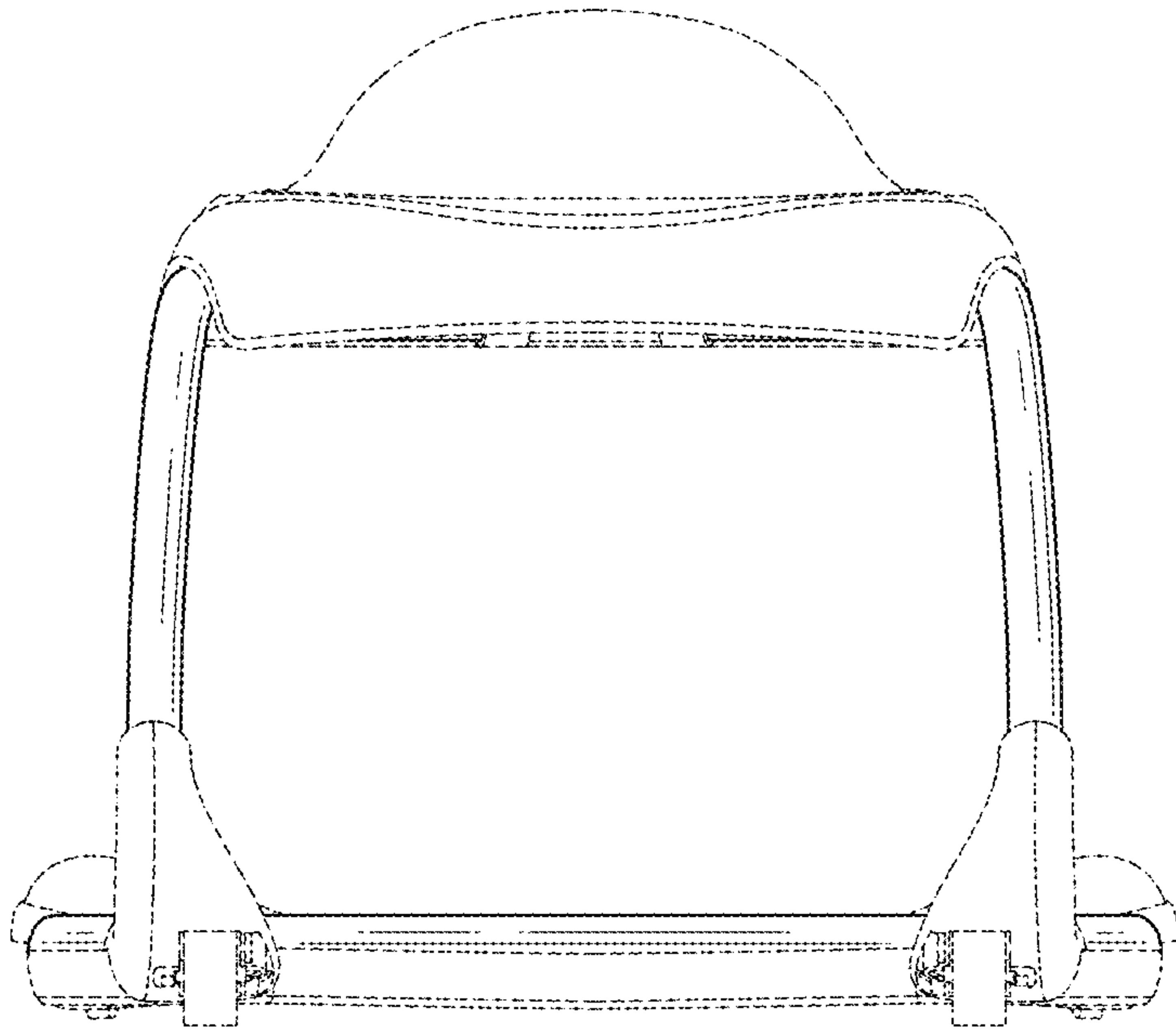


FIG. 11

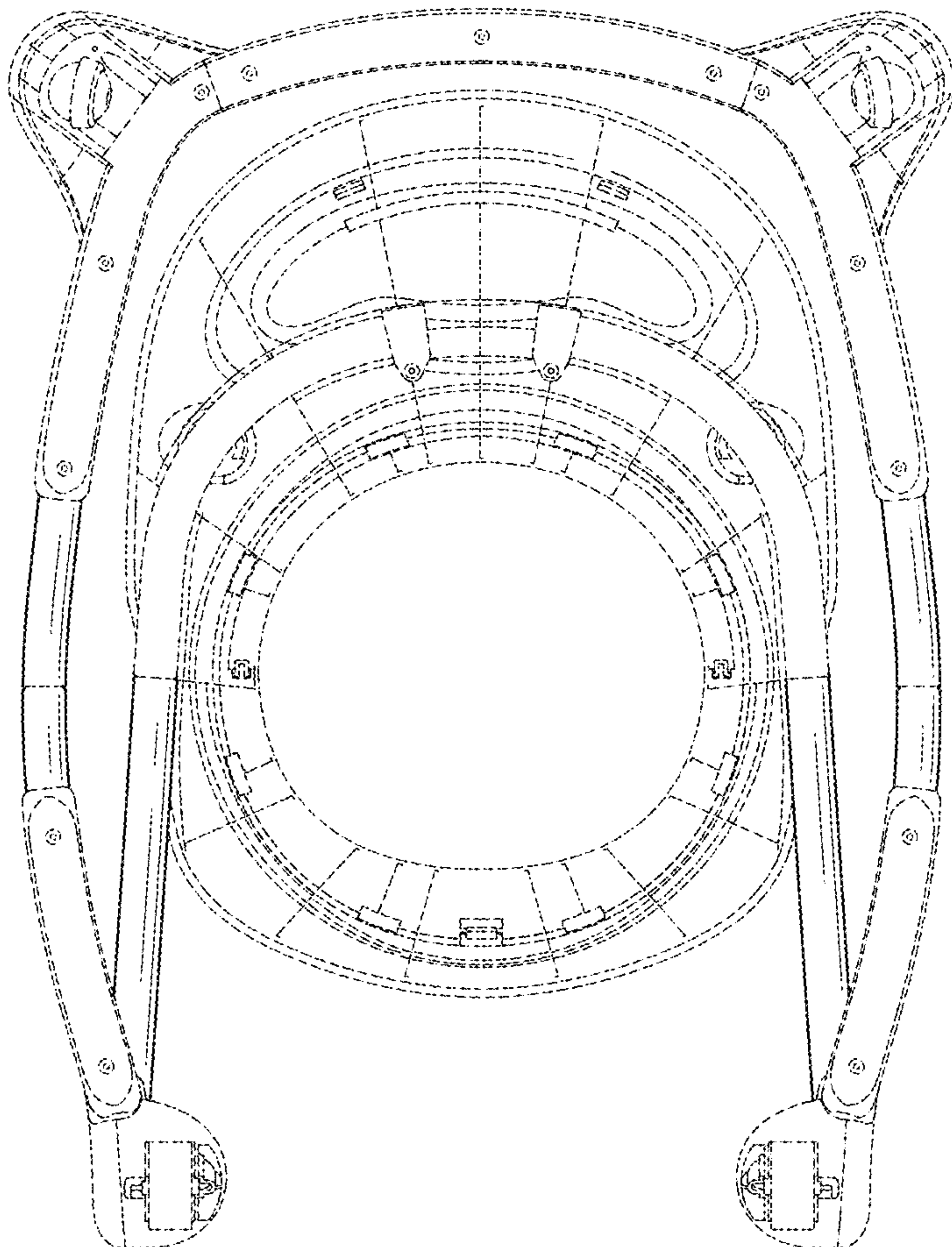


FIG. 12