



US00D778208S

(12) **United States Design Patent**
Fujii

(10) **Patent No.:** **US D778,208 S**

(45) **Date of Patent:** **** Feb. 7, 2017**

(54) **BUCKLE**

(71) Applicant: **YKK Corporation**, Tokyo (JP)

(72) Inventor: **Takaaki Fujii**, Toyama (JP)

(73) Assignee: **YKK Corporation** (JP)

(**) Term: **15 Years**

(21) Appl. No.: **29/556,474**

(22) Filed: **Mar. 1, 2016**

(30) **Foreign Application Priority Data**

Sep. 1, 2015 (JP) 2015-019290

(51) **LOC (10) Cl.** **02-07**

(52) **U.S. Cl.**
USPC **D11/216**

(58) **Field of Classification Search**

USPC D11/200–219; 24/163 R, 169–171, 173,
24/177–179, 191, 194–195, 197, 200,
24/614–616, 625, 198, 578.11, 578.1,
24/163 K, 114, 307, 313

CPC A44B 11/26; A44B 11/25; A44B 11/06
See application file for complete search history.

(56) **References Cited**

U.S. PATENT DOCUMENTS

5,170,539 A * 12/1992 Lundstedt A44B 11/006
24/194
D500,706 S * 1/2005 Guney D11/216

D558,638 S * 1/2008 Kolasa D11/216
D586,258 S * 2/2009 Guney D11/216
D647,818 S * 11/2011 Kaneko D11/216
D680,901 S * 4/2013 Kolasa D11/216
D686,526 S * 7/2013 Kawaguchi D11/216
D686,527 S * 7/2013 Kawaguchi D11/216
D701,139 S * 3/2014 Kadoishi D11/216

* cited by examiner

Primary Examiner — Ralf Seifert

(74) *Attorney, Agent, or Firm* — Kilpatrick Townsend & Stockton LLP

(57) **CLAIM**

The ornamental design for a buckle, as shown and described.

DESCRIPTION

FIG. 1 is a first perspective view of the front, bottom and right side of a buckle, showing my new design;

FIG. 2 is a front view thereof;

FIG. 3 is a rear view thereof;

FIG. 4 is a right side view thereof, the left side view being mirror image thereof;

FIG. 5 is a top plan view thereof; and,

FIG. 6 is a bottom view thereof.

The broken lines shown are included for the purpose of illustrating the unclaimed portions of a buckle and form no part of the claimed design. The dot and dashed lines mean a boundary between the claimed portions and the unclaimed portions.

1 Claim, 5 Drawing Sheets

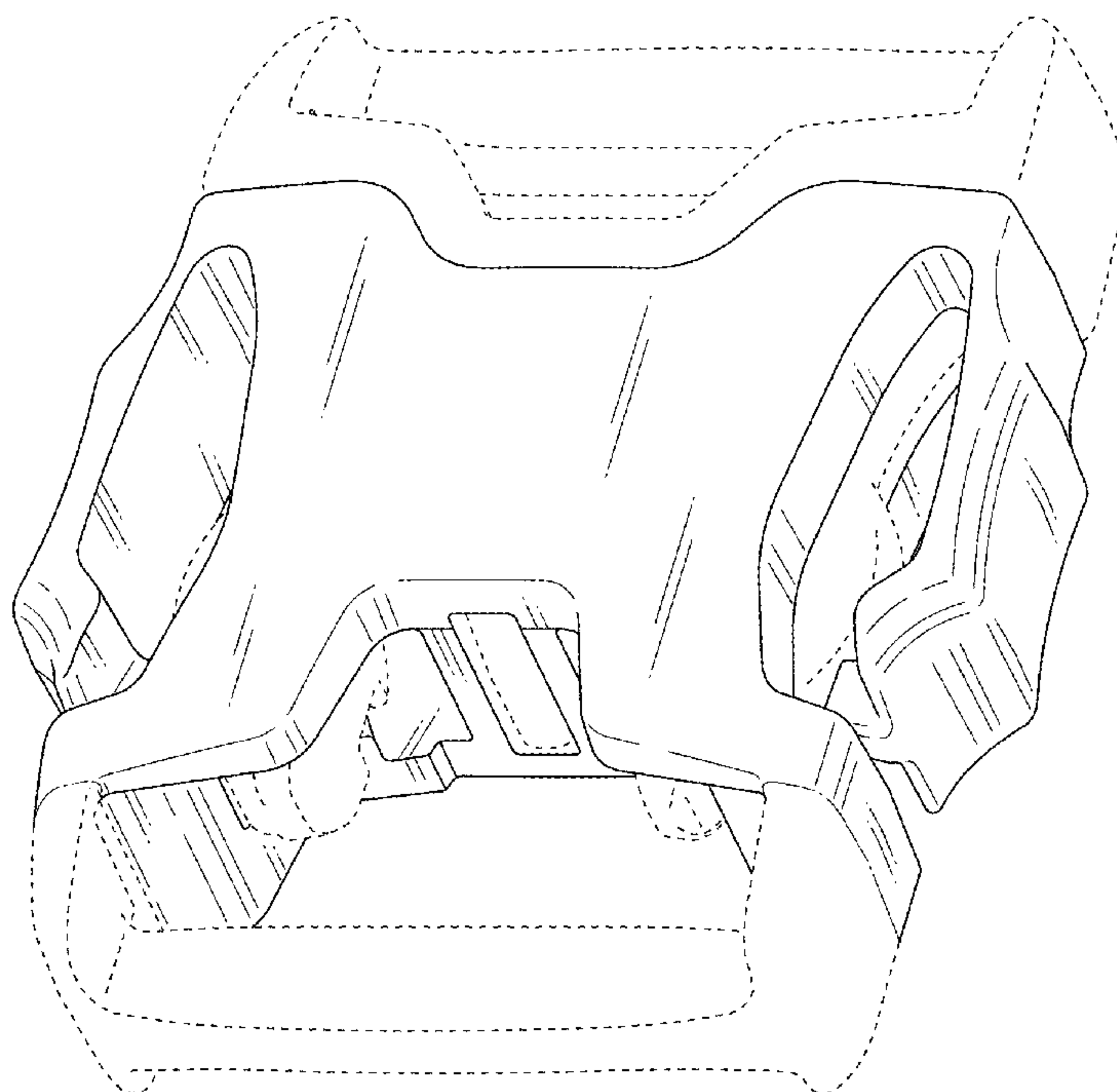


Fig. 1

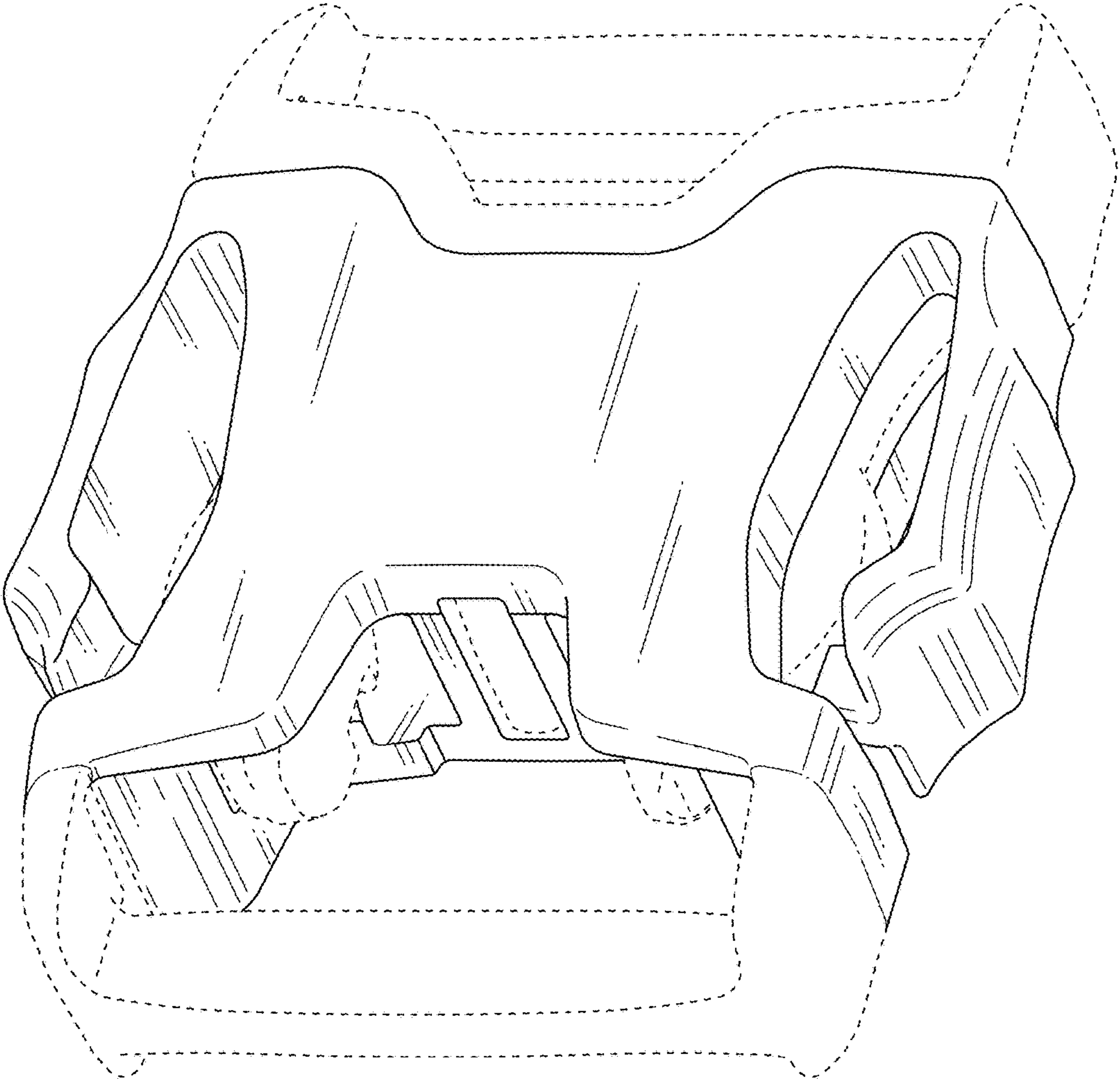


Fig. 2

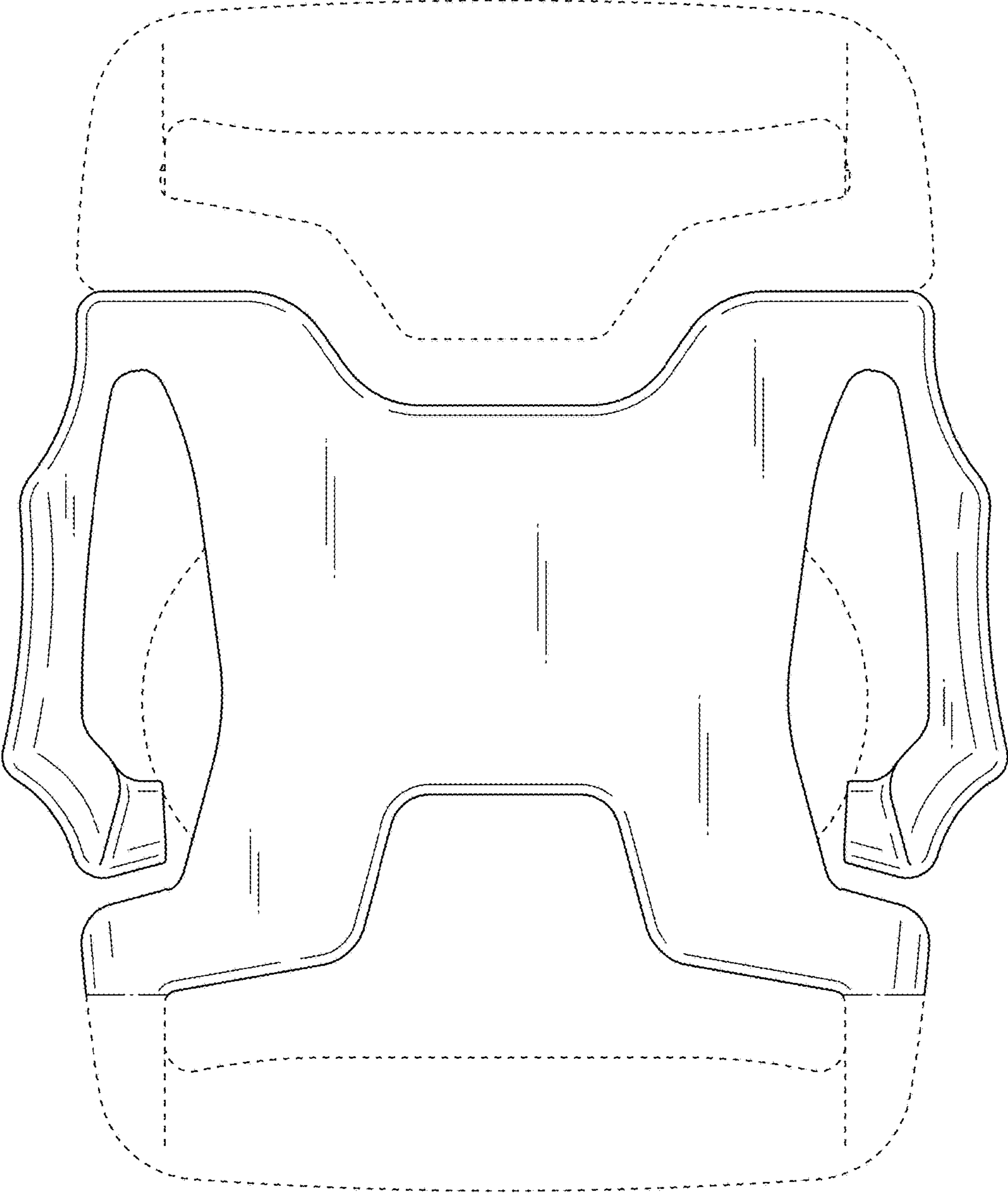


Fig. 3

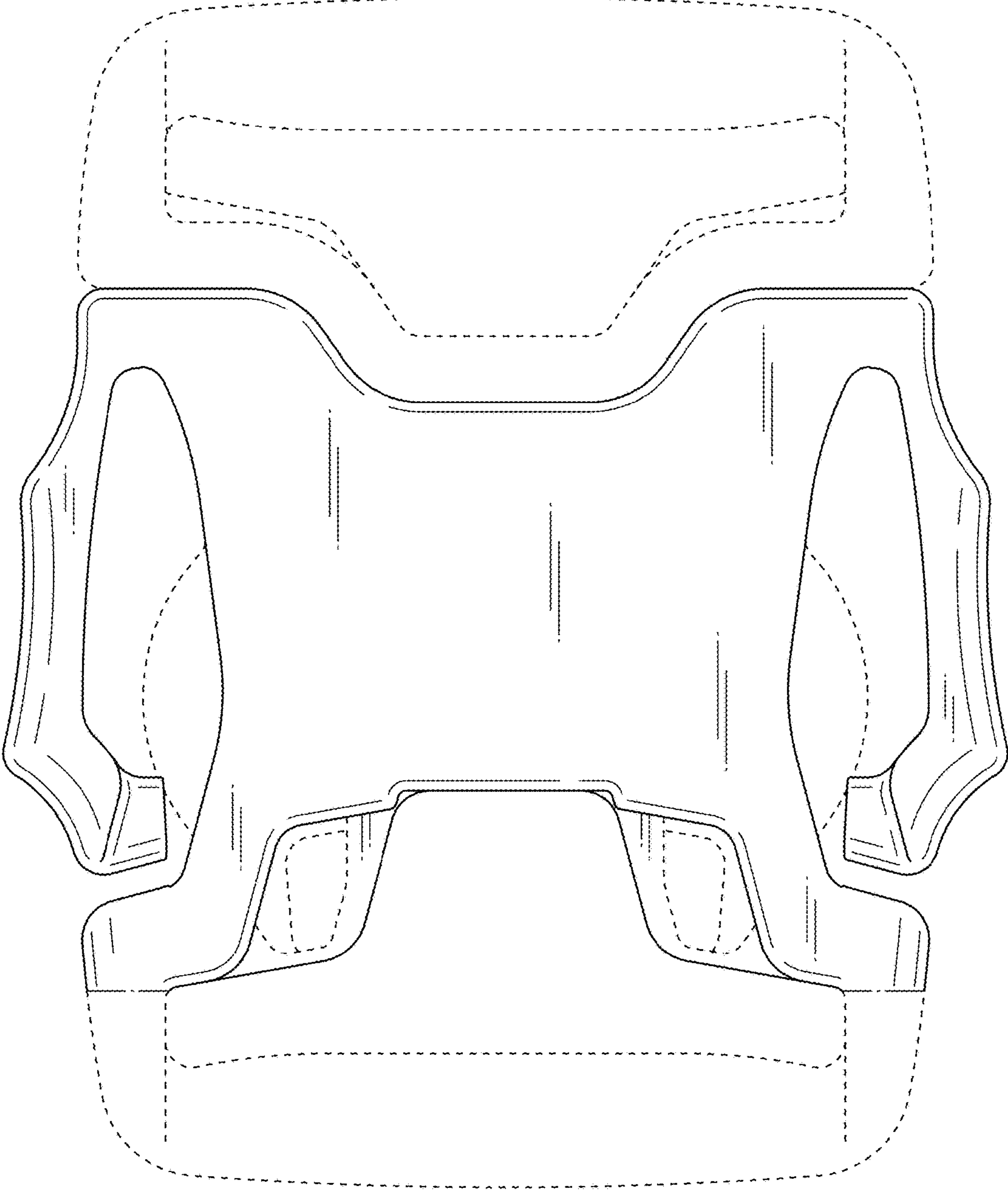


Fig. 4

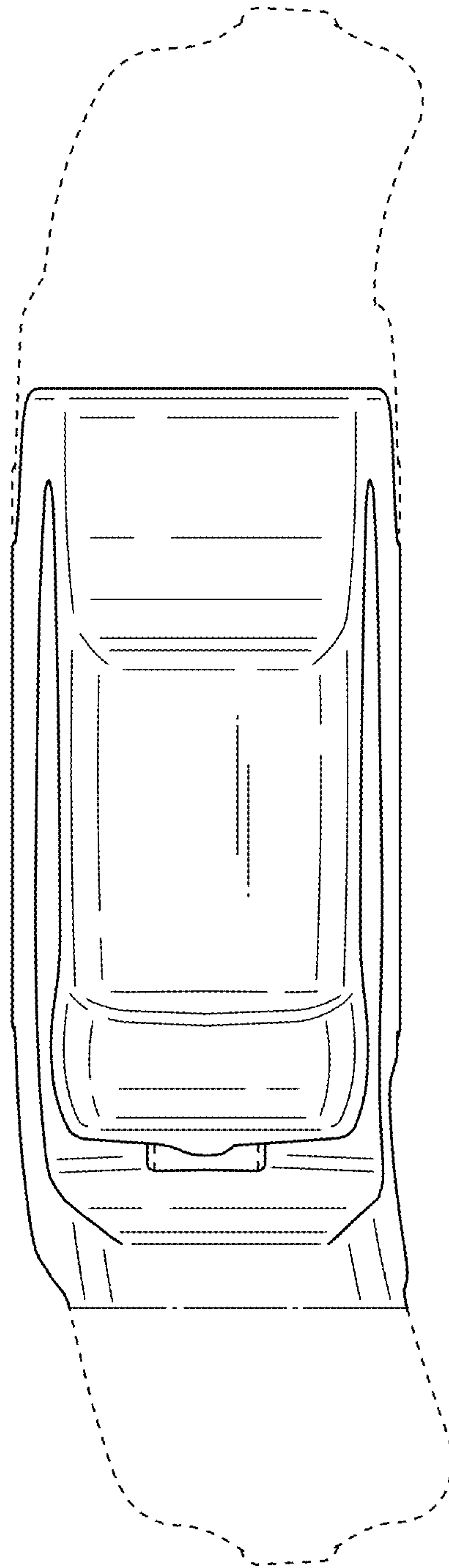


Fig. 5

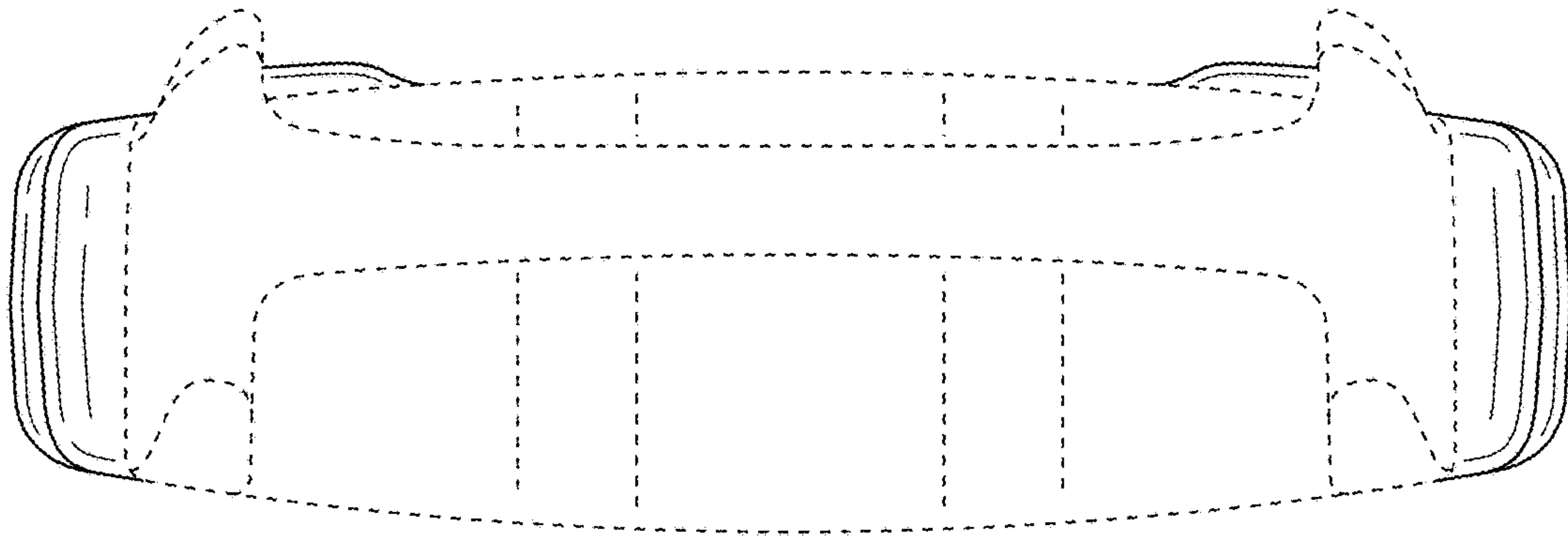


Fig. 6

