



US00D778207S

(12) **United States Design Patent**  
**Paik et al.**

(10) **Patent No.:** **US D778,207 S**  
(45) **Date of Patent:** **\*\* Feb. 7, 2017**

(54) **MAGNET BUCKLE**  
(71) Applicant: **WOOJIN PLASTIC CO., LTD.**,  
Guri-si, Gyeonggi-do (KR)  
(72) Inventors: **Jisook Paik**, Seoul (KR); **Nan Hee Paik**, Seoul (KR); **Ji Hye Paik**, Seoul (KR); **Ji Won Son**, Seoul (KR)  
(73) Assignee: **WOOJIN PLASTIC CO., LTD.**,  
Guri-si, Gyeonggi-do (KR)  
(\*\*) Term: **15 Years**

D625,226 S \* 10/2010 Pontaoe ..... D11/216  
D671,444 S \* 11/2012 Paik ..... D11/216  
D671,445 S \* 11/2012 Paik ..... D11/216  
D685,292 S \* 7/2013 Kataguchi ..... D11/216  
D686,530 S \* 7/2013 Paik ..... D11/216  
D715,186 S \* 10/2014 Kung ..... D11/216  
D740,718 S \* 10/2015 Liu ..... D11/216

\* cited by examiner

*Primary Examiner* — Ralf Seifert

(74) *Attorney, Agent, or Firm* — Novick, Kim & Lee, PLLC; Jae Youn Kim

(21) Appl. No.: **29/551,571**  
(22) Filed: **Jan. 14, 2016**

(57) **CLAIM**

We claim the ornamental design for a magnet buckle, as shown and described.

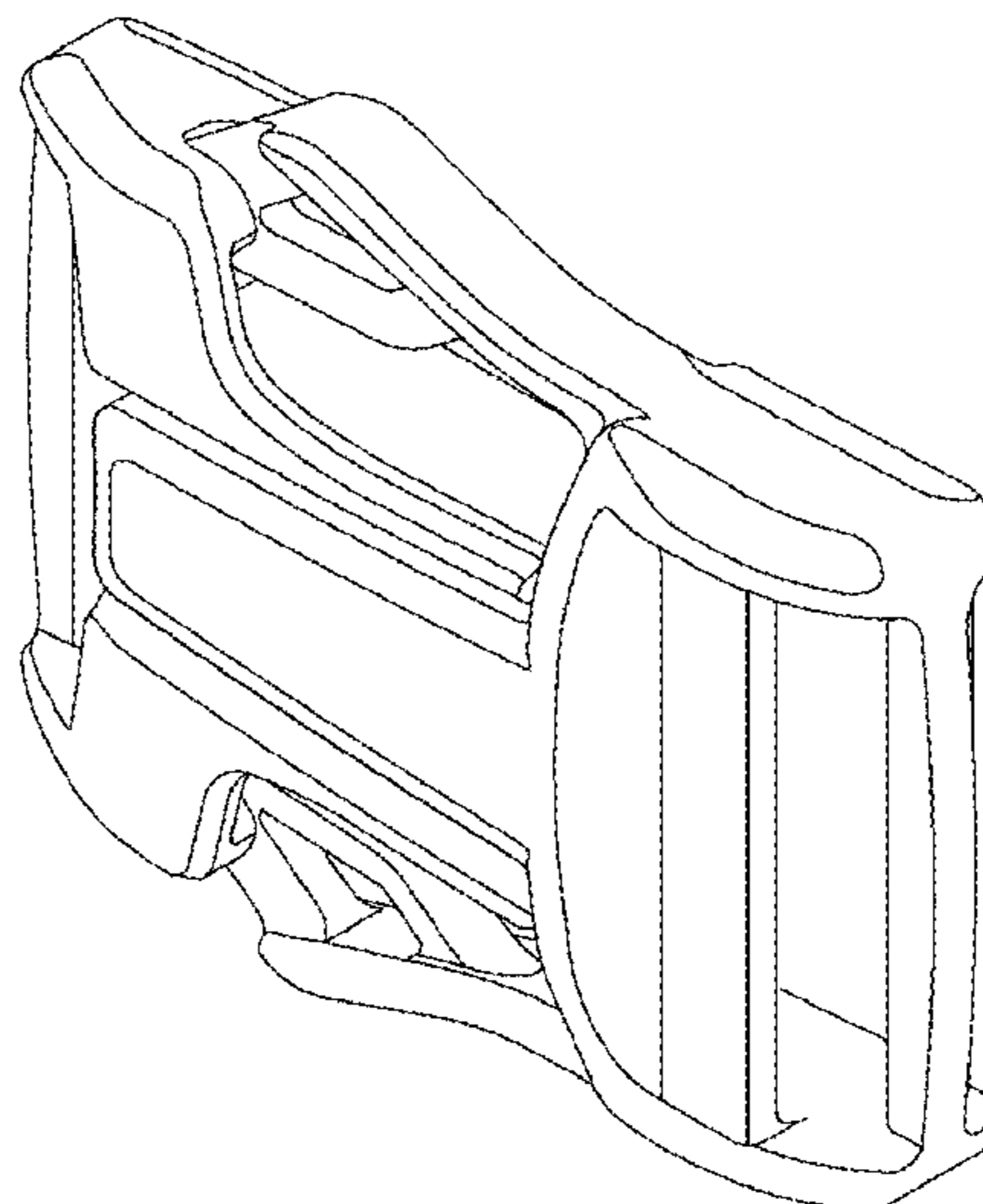
(30) **Foreign Application Priority Data**  
Sep. 22, 2015 (KR) ..... 30-2015-0048101  
(51) **LOC (10) Cl.** ..... **02-07**  
(52) **U.S. Cl.**  
USPC ..... **D11/216**  
(58) **Field of Classification Search**  
USPC ..... D11/1-2, 200-201, 206-210, 214-218;  
24/163 R, 169-171, 173, 177-179, 191,  
24/194-195, 197, 200, 614-616, 625,  
24/198, 578.11, 578.1, 163 K, 114  
CPC ..... A44B 11/26; A44B 11/25; A44B 11/06;  
A44B 11/266  
See application file for complete search history.

**DESCRIPTION**

FIG. 1 is a perspective view of a magnet buckle, showing our new design;  
FIG. 2 is a front elevational view thereof;  
FIG. 3 is a rear elevational view thereof;  
FIG. 4 is a left side elevational view thereof;  
FIG. 5 is a right side elevational view thereof;  
FIG. 6 is a top plan view thereof;  
FIG. 7 is a bottom plan view thereof; and,  
FIG. 8 is a sectional view thereof along line 8-8 as shown in FIG. 2.

(56) **References Cited**  
U.S. PATENT DOCUMENTS  
D524,693 S \* 7/2006 Uehara ..... D11/216  
7,320,160 B2 \* 1/2008 Uehara ..... A44B 11/266  
24/614  
D619,042 S \* 7/2010 Uehara ..... D11/216

**1 Claim, 6 Drawing Sheets**



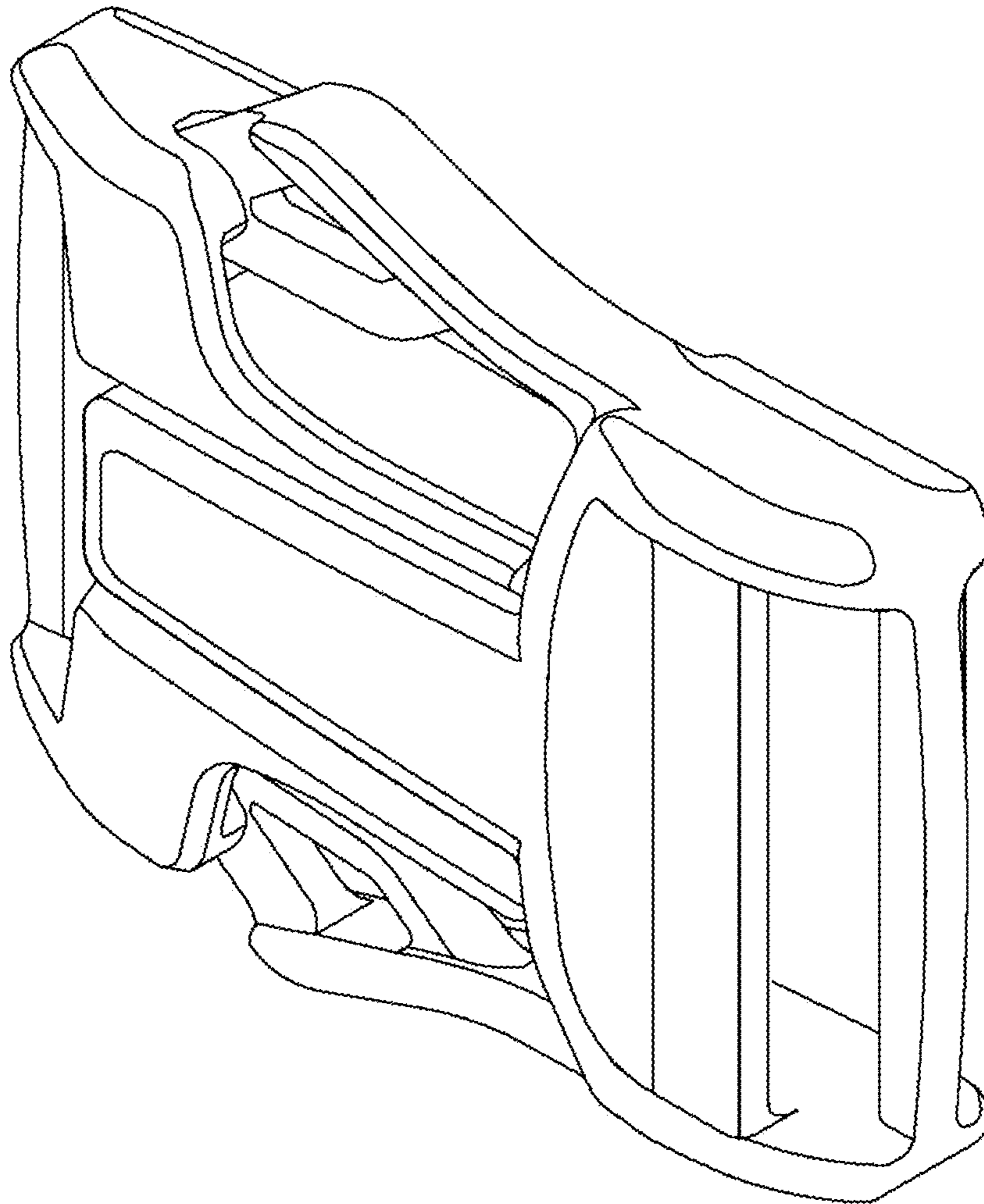


FIG.1

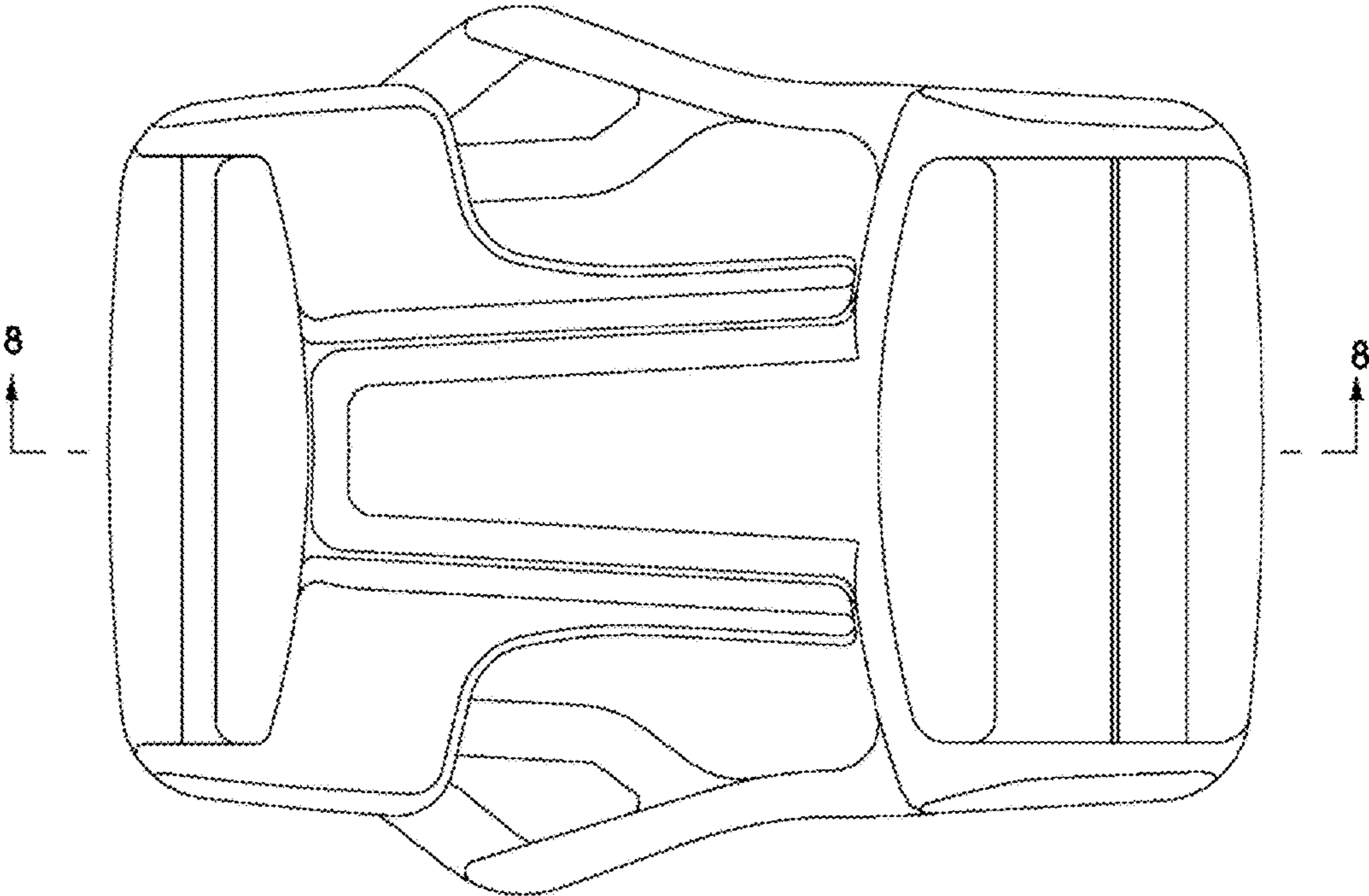


FIG.2

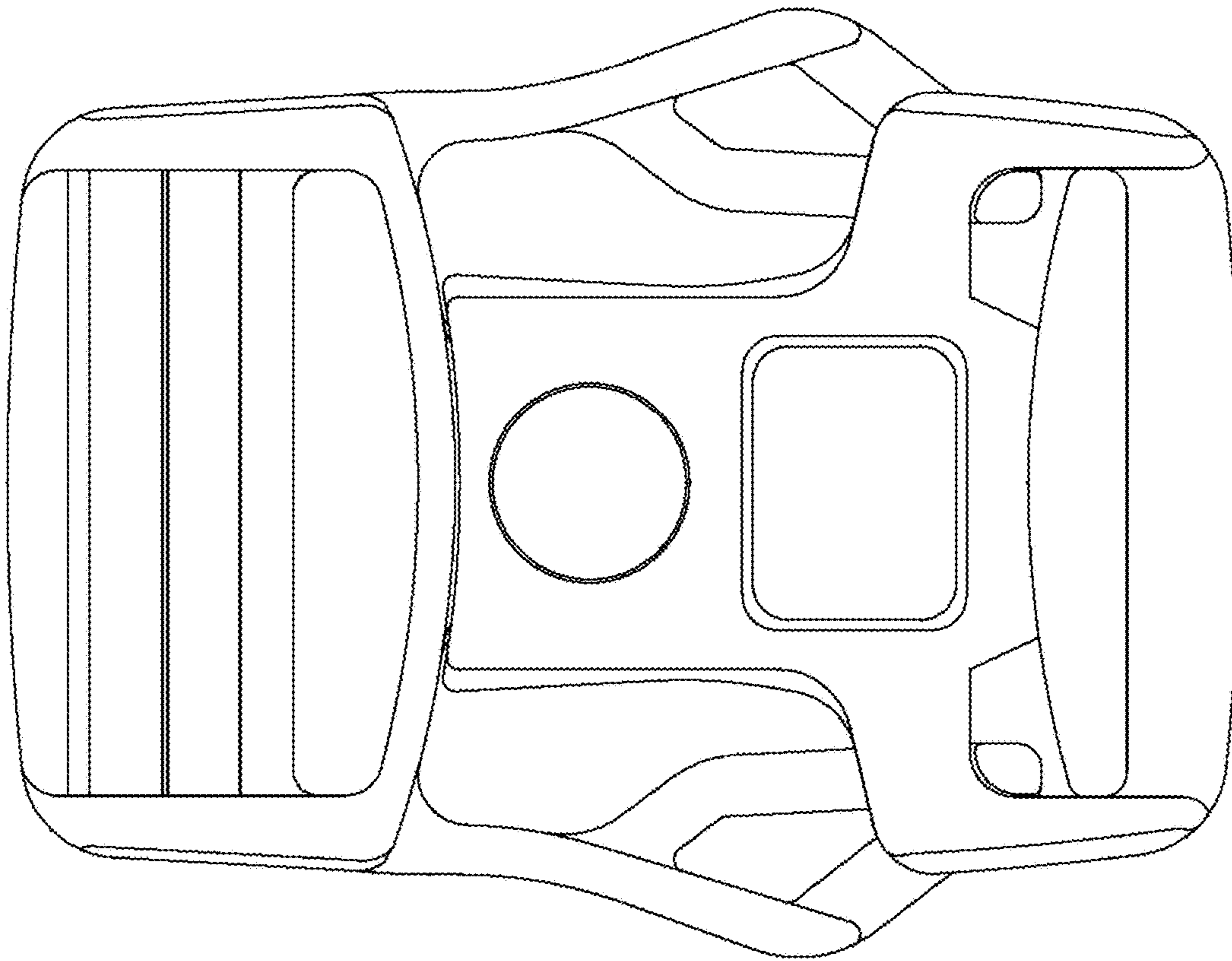


FIG.3

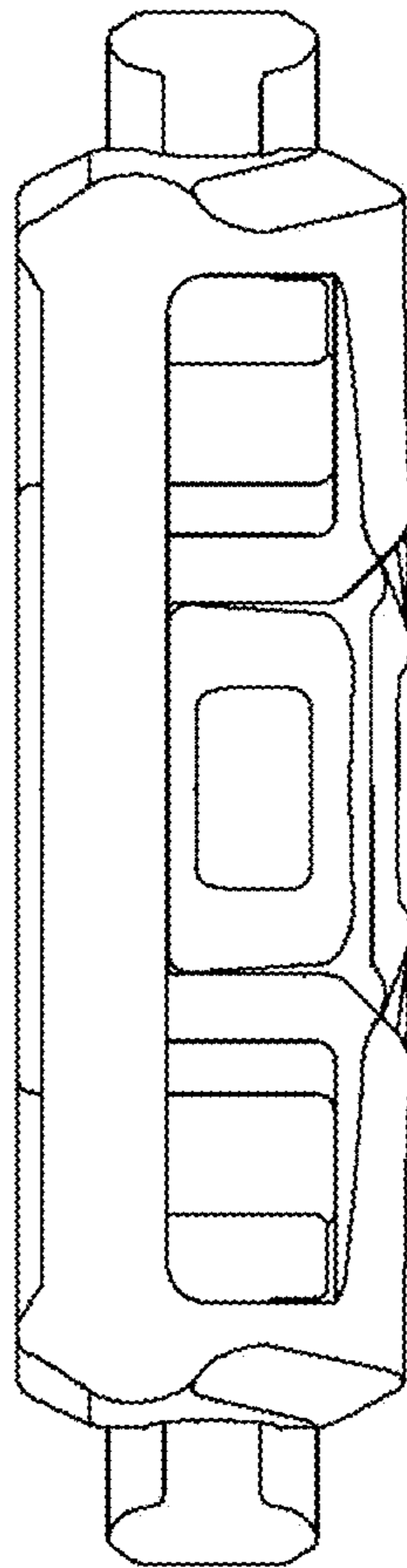
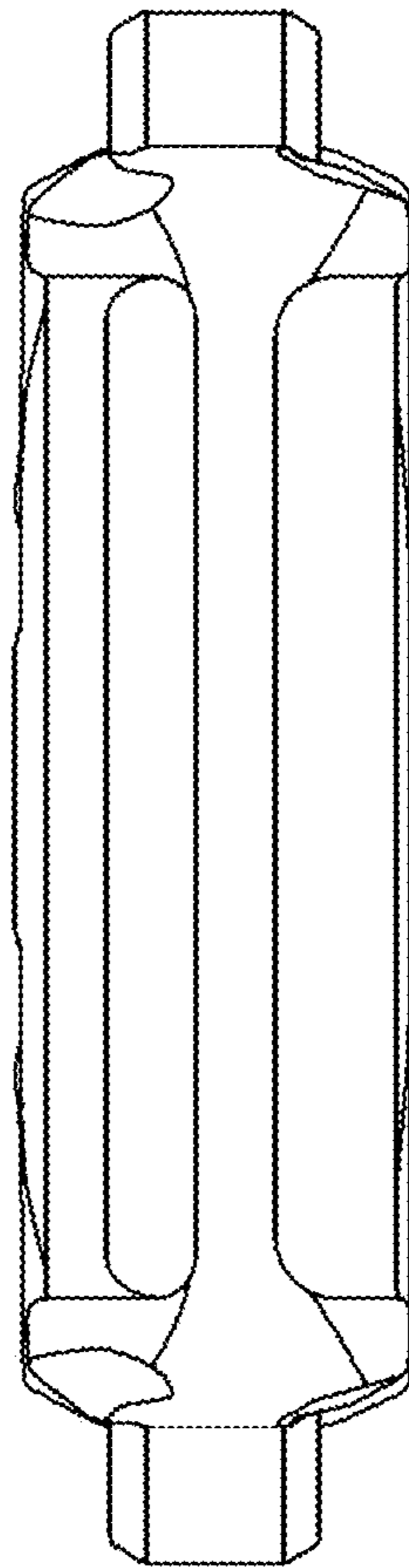


FIG.4



**FIG.5**

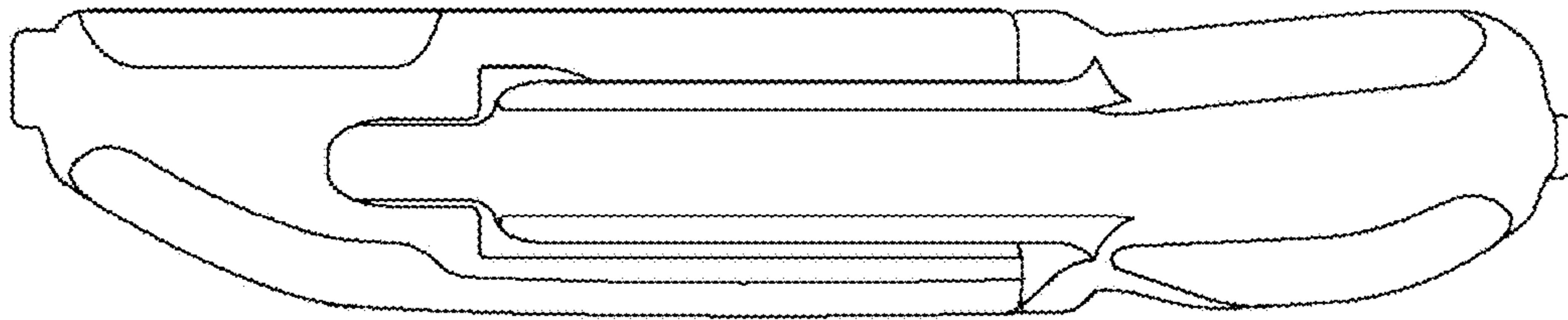


FIG. 6

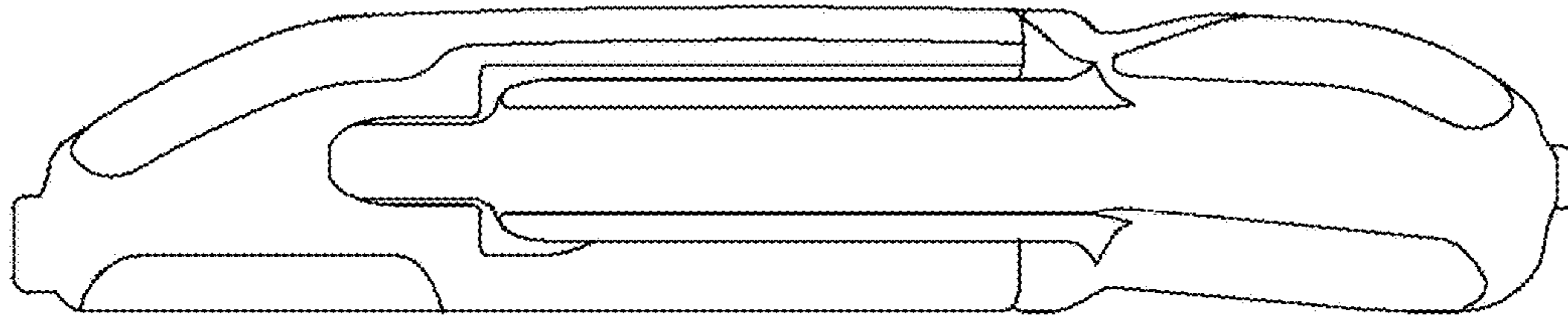


FIG. 7

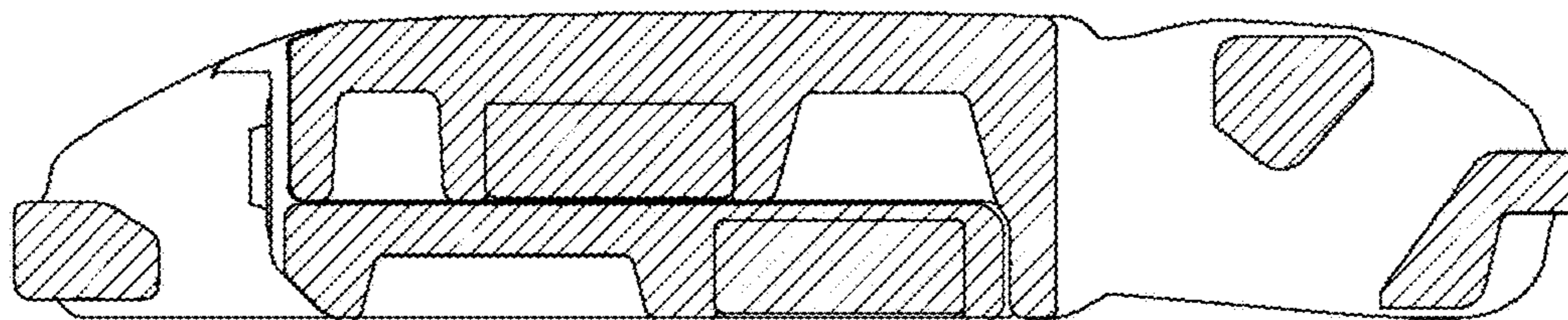


FIG. 8