



US00D778206S

(12) **United States Design Patent**
Sullivan

(10) **Patent No.:** **US D778,206 S**

(45) **Date of Patent:** **** Feb. 7, 2017**

- (54) **MAGNETIC CLOTHING CLASP**
- (71) Applicant: **Jaret M. Sullivan**, Buckeye, AZ (US)
- (72) Inventor: **Jaret M. Sullivan**, Buckeye, AZ (US)
- (**) Term: **14 Years**
- (21) Appl. No.: **29/525,095**
- (22) Filed: **Apr. 27, 2015**
- (51) **LOC (10) Cl.** **11-03**
- (52) **U.S. Cl.**
USPC **D11/206; D11/202**
- (58) **Field of Classification Search**
USPC D11/1-2, 200-201, 206-210, 214-218;
24/163 R, 169-171, 173, 177-179, 191,
24/194-195, 197, 200, 614-616, 625,
24/198, 578.11, 578.1, 163 K, 114, 66.2,
24/709.9, 710, 704.2; 40/1.5; D8/395;
D6/328
CPC A44B 11/26; A44B 11/25; A44B 11/06;
A44B 9/18; A44B 9/10
See application file for complete search history.

- 5,329,678 A * 7/1994 Bagnasco A44B 9/125
24/708.9
- 6,282,760 B1 9/2001 Mars
- D453,911 S * 2/2002 Yancy D11/202
- 6,434,801 B2 8/2002 Grunberger
- D598,278 S * 8/2009 Herman D8/395
- 7,992,264 B2 8/2011 Abadi
- 8,615,853 B2 12/2013 Rathbun
- D761,573 S * 7/2016 Grainger D6/328
- 2006/0032026 A1 2/2006 Schoening et al.

OTHER PUBLICATIONS

<http://abmagnet.en.hisupplier.com/product-925168-magnetic-badges.html>.
<http://nametags123.com/magnet-fastener> (May 12, 2012).

* cited by examiner

Primary Examiner — Ralf Seifert
(74) *Attorney, Agent, or Firm* — Robert C. Montgomery;
Montgomery Patent and Design, LP.

(57) **CLAIM**

The ornamental design for a magnetic clothing clasp, as shown and described.

(56) **References Cited**

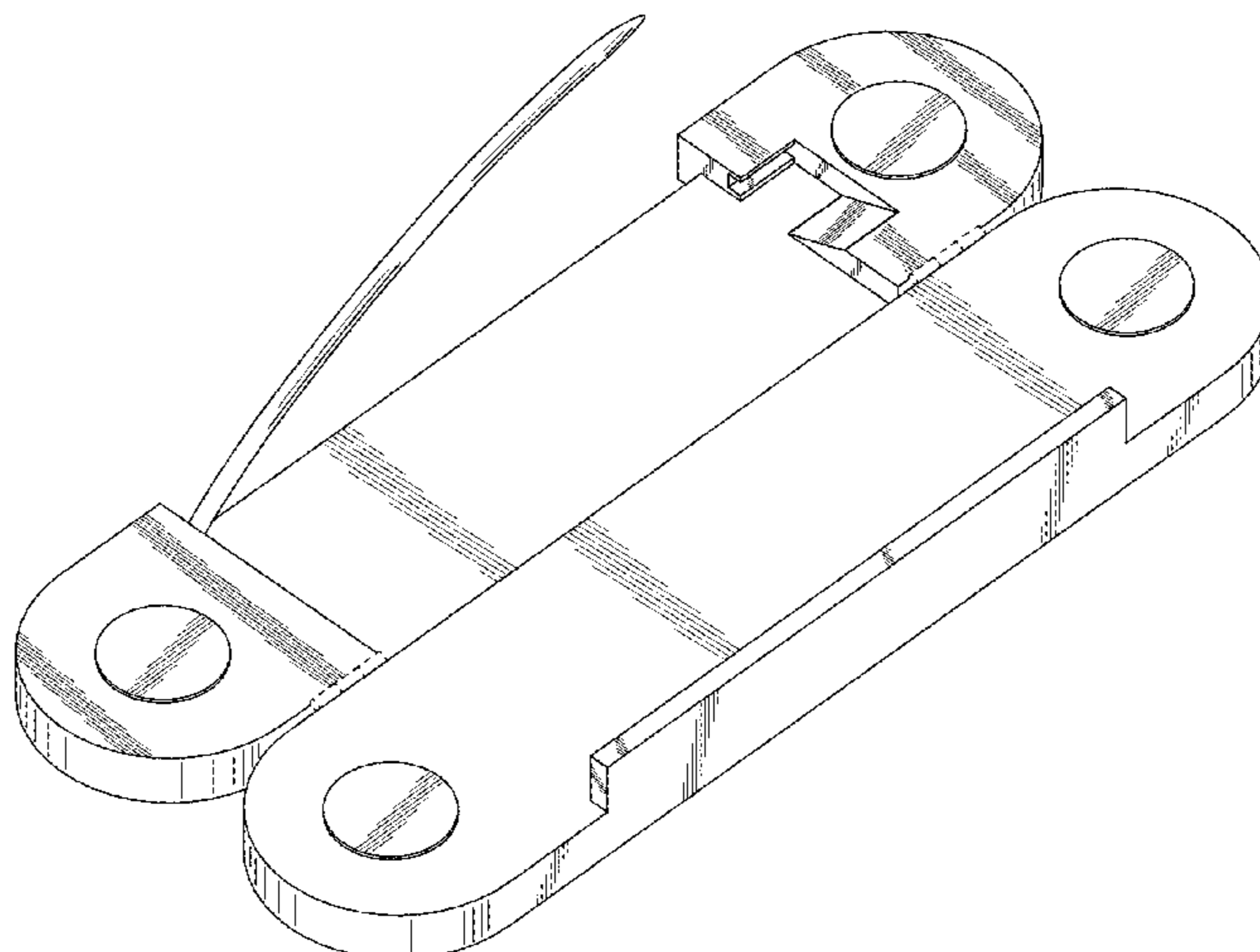
U.S. PATENT DOCUMENTS

- 2,748,438 A * 6/1956 Clark A44B 9/14
24/710
- 3,018,533 A * 1/1962 Bagnasco A44B 9/18
24/708.9
- 3,136,014 A * 6/1964 Nickerson A44B 9/14
24/709.9
- 3,161,932 A 12/1964 Russell
- 3,179,995 A * 4/1965 Hawk A44B 9/14
24/709.5
- D205,577 S * 8/1966 Van Dean D11/206
- D210,817 S * 4/1968 Drake 24/709.7
- 3,806,997 A * 4/1974 Niwa A44B 9/16
24/709.9
- 3,851,359 A * 12/1974 Wilson A44B 9/18
24/704.2
- 4,249,267 A 2/1981 Voss
- D282,696 S * 2/1986 Danniger D11/202

DESCRIPTION

FIG. 1 is a perspective front right side view of the magnetic clothing clasp showing my new design; FIG. 2 is a perspective back left side view thereof; FIG. 3 is a front side view thereof; FIG. 4 is a back side view thereof; FIG. 5 is a left side view thereof; FIG. 6 is a right side view thereof; FIG. 7 is a top side view thereof; and, FIG. 8 is a bottom side view thereof. FIG. 9 is a perspective front right side view in the closed position; and, FIG. 10 is a perspective back left side view thereof. The dashed lines indicate boundary areas and form no part of the claimed design.

1 Claim, 10 Drawing Sheets



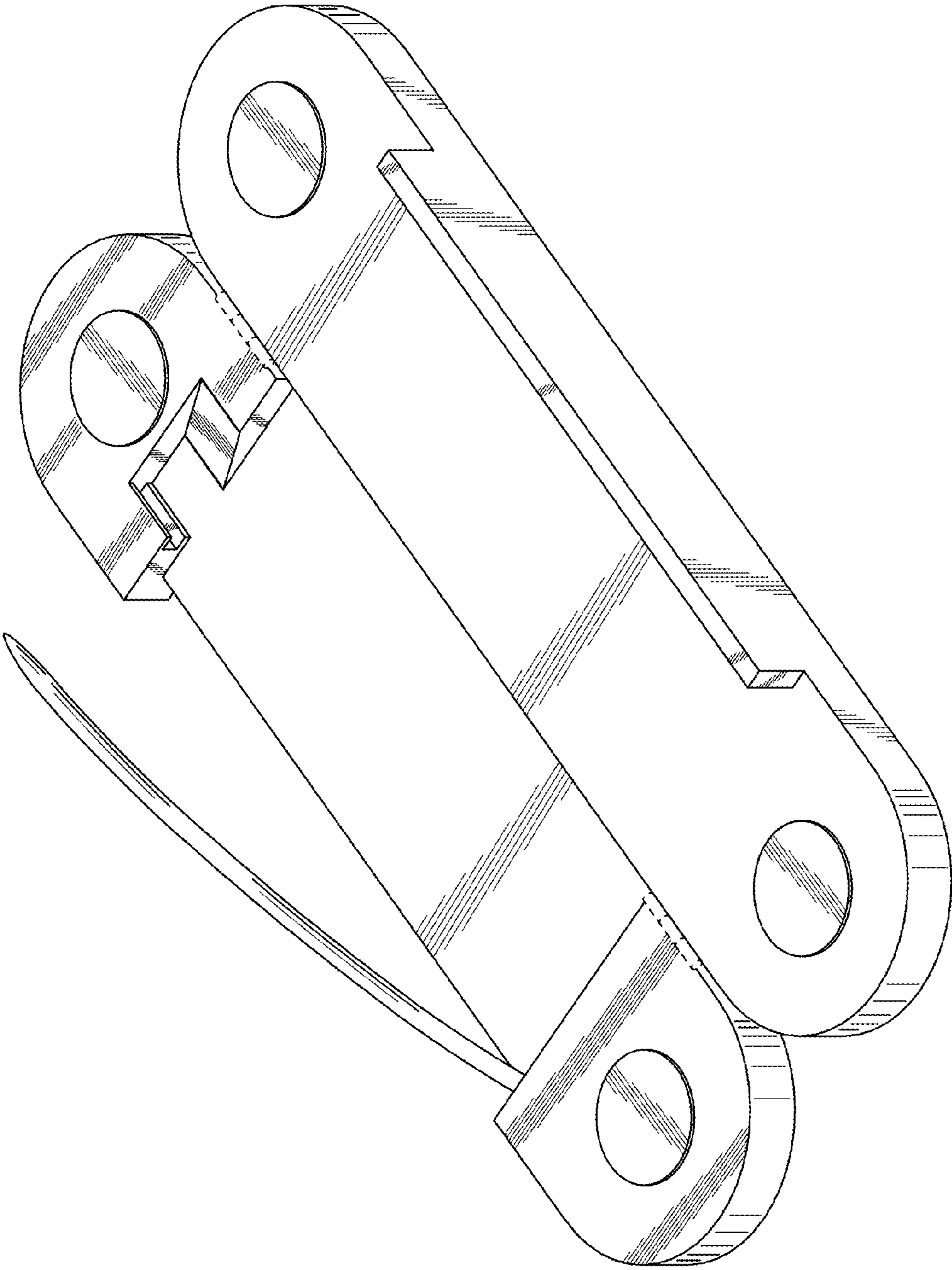


Fig. 1

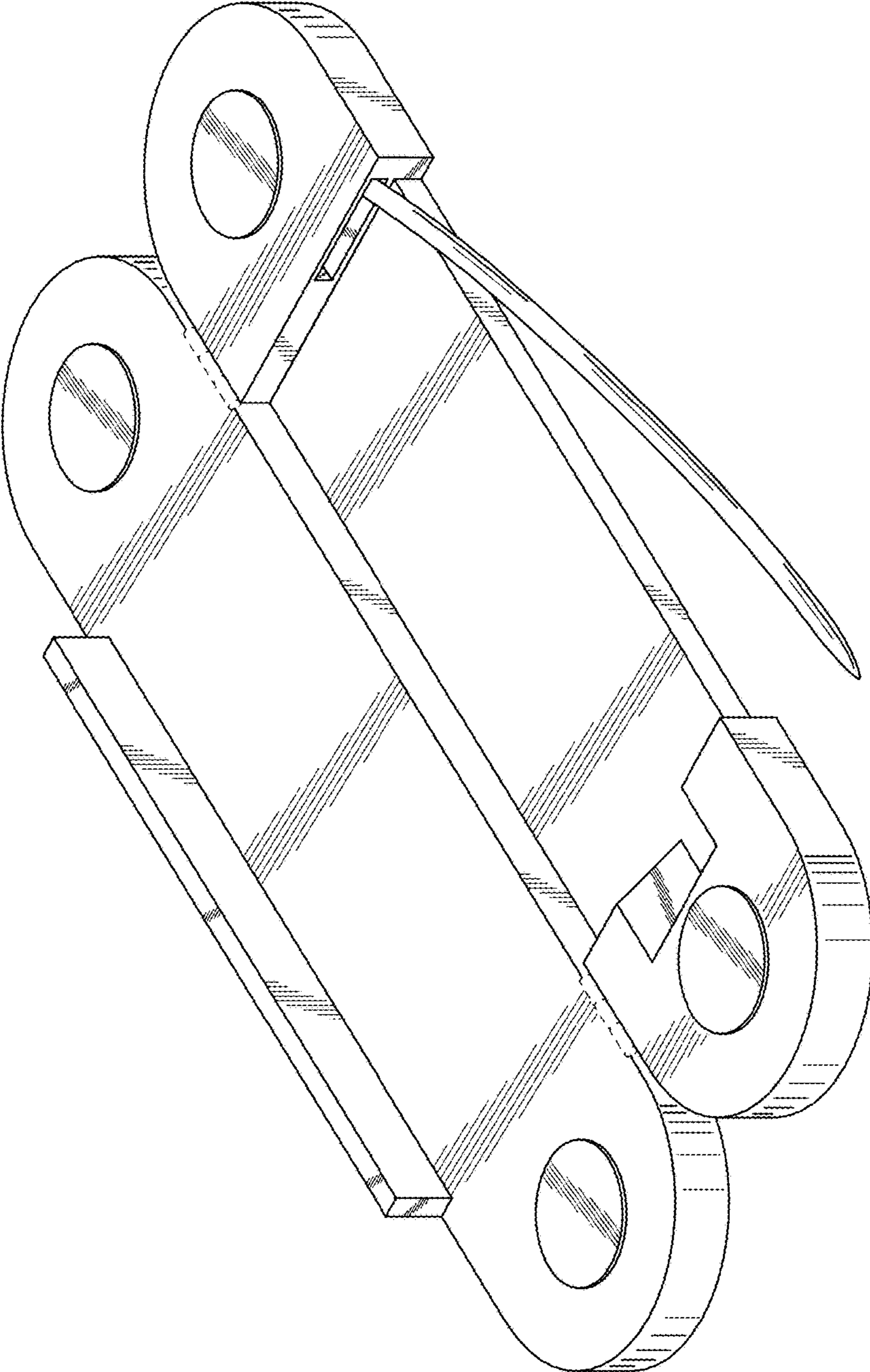


Fig. 2

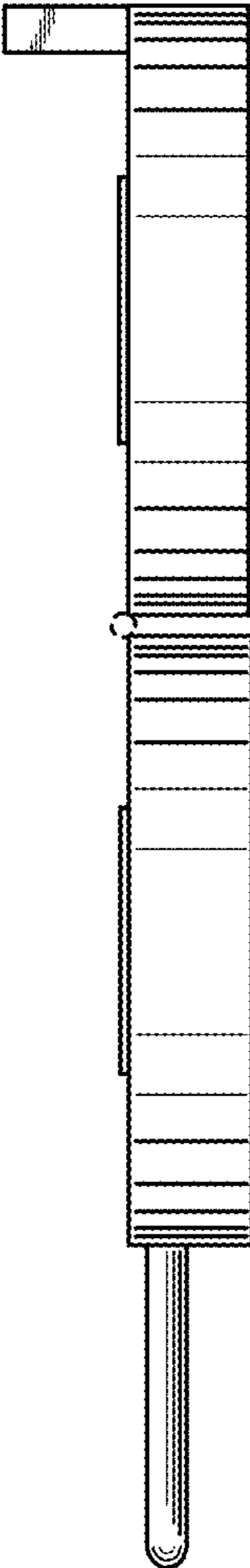


Fig. 3

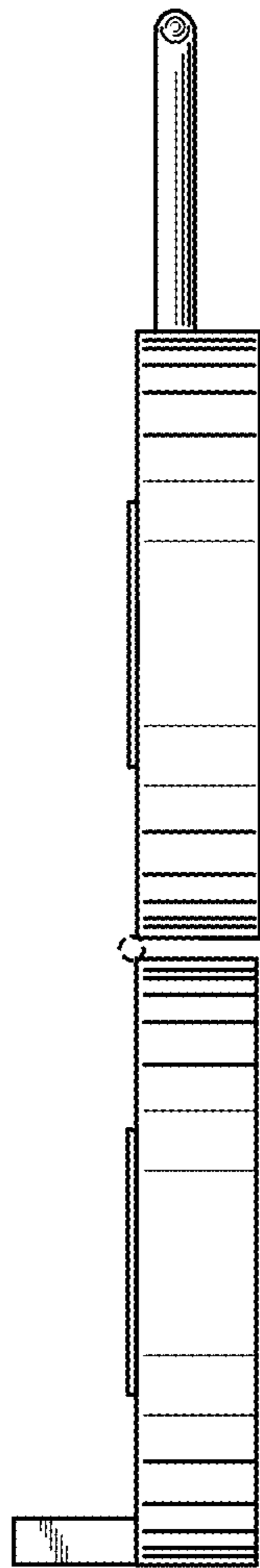


Fig. 4

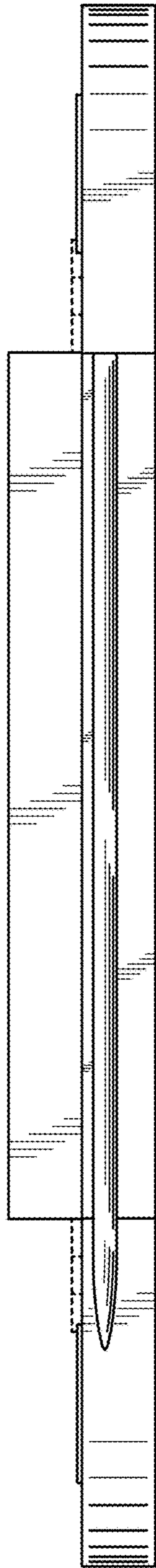


Fig. 5

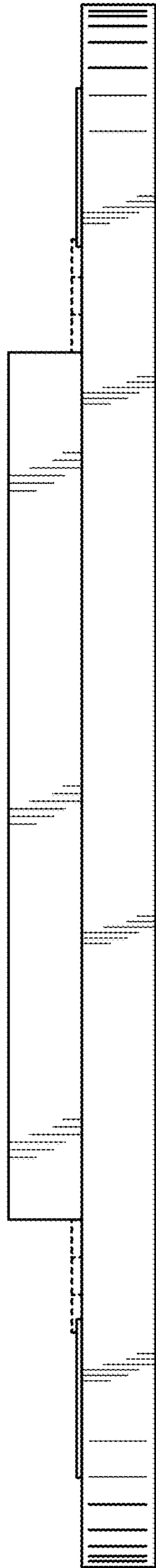


Fig. 6

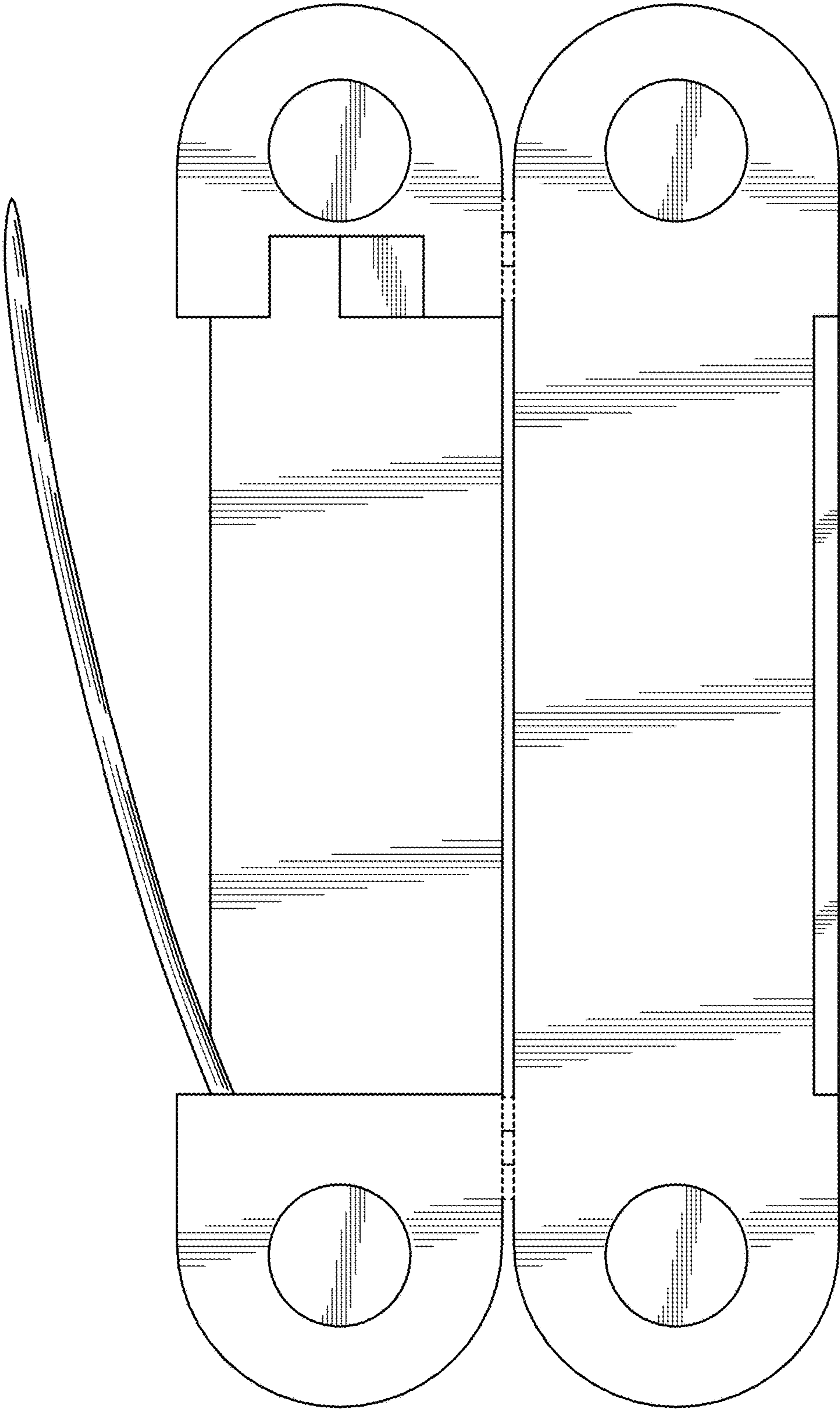


Fig. 7

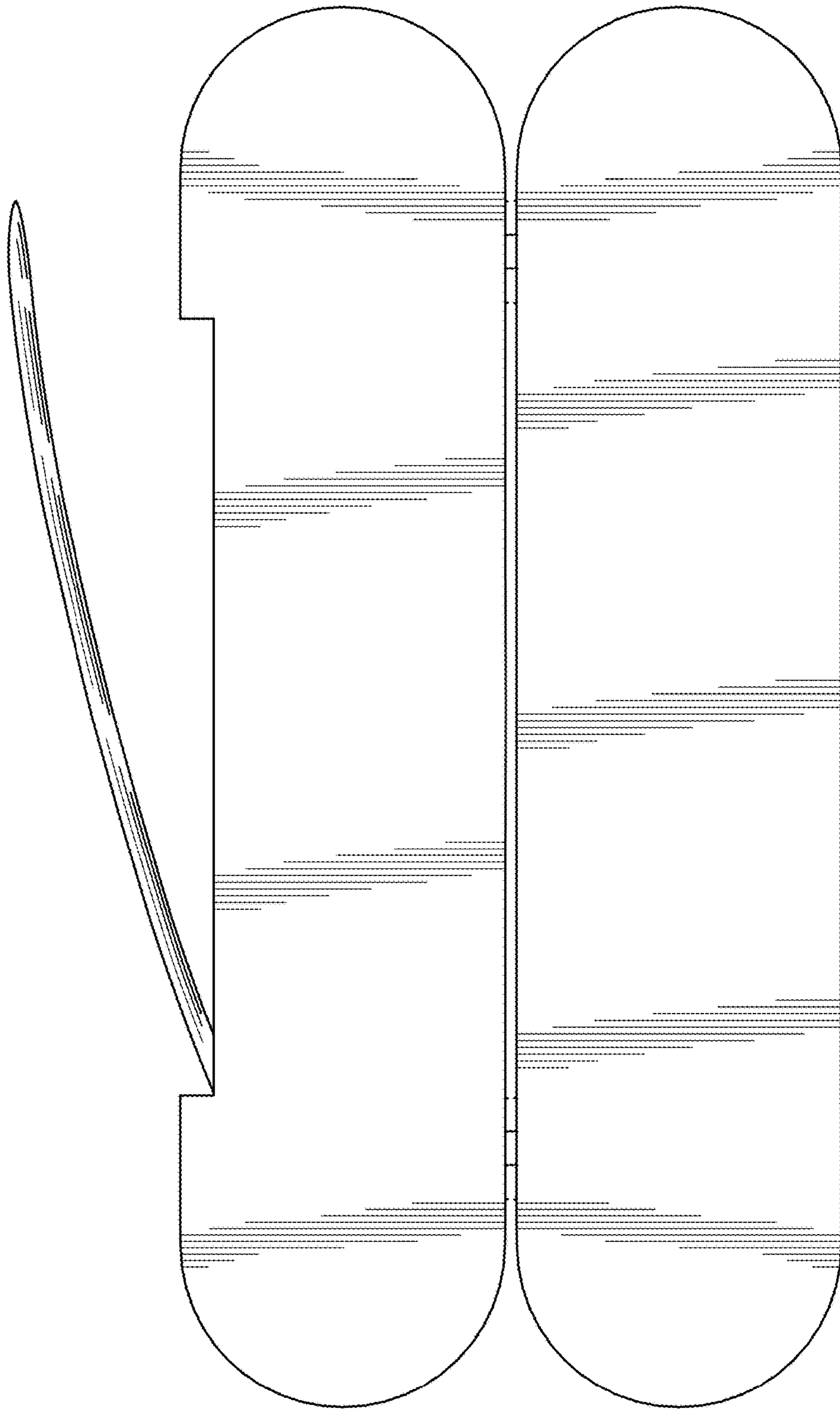


Fig. 8

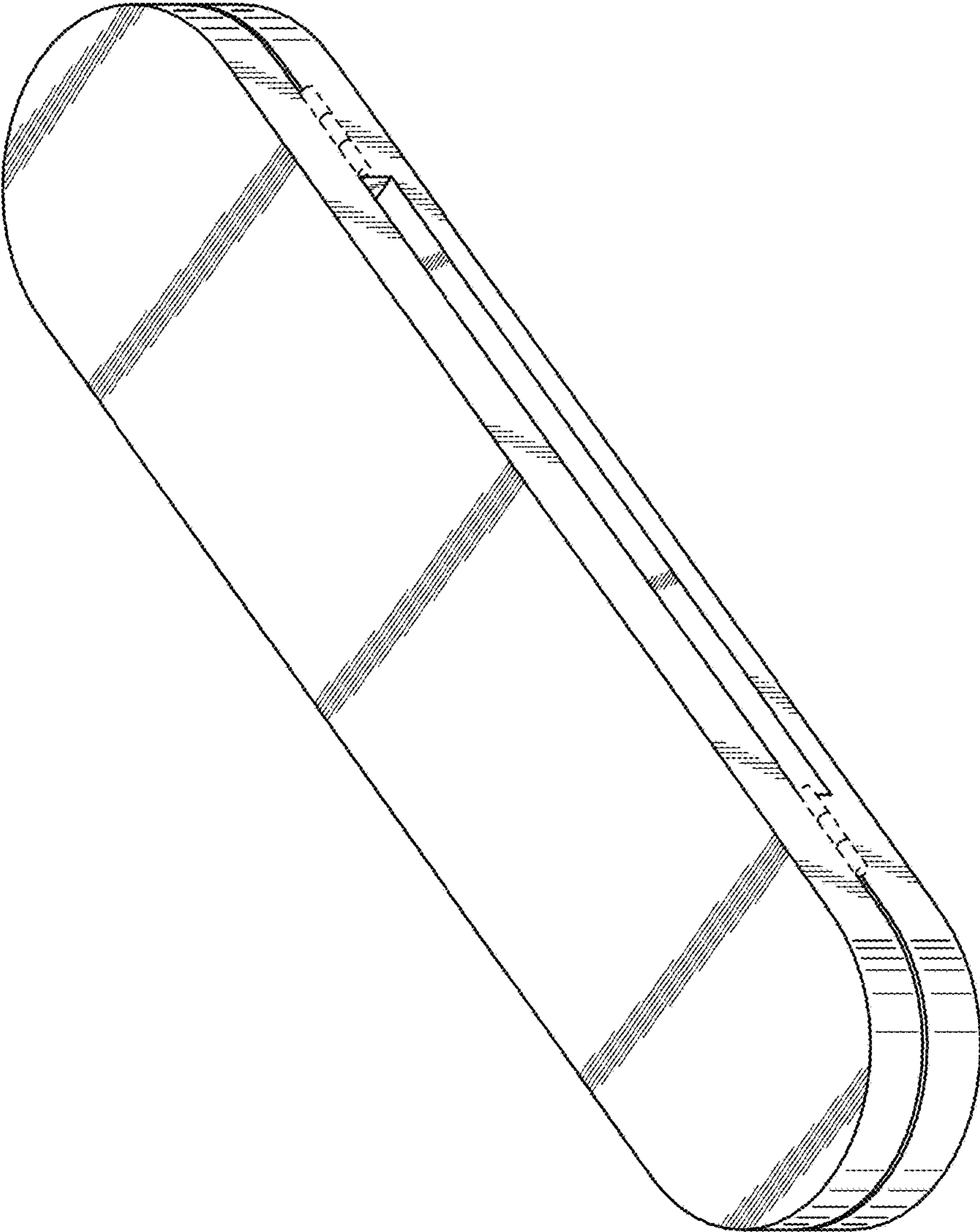


Fig. 9

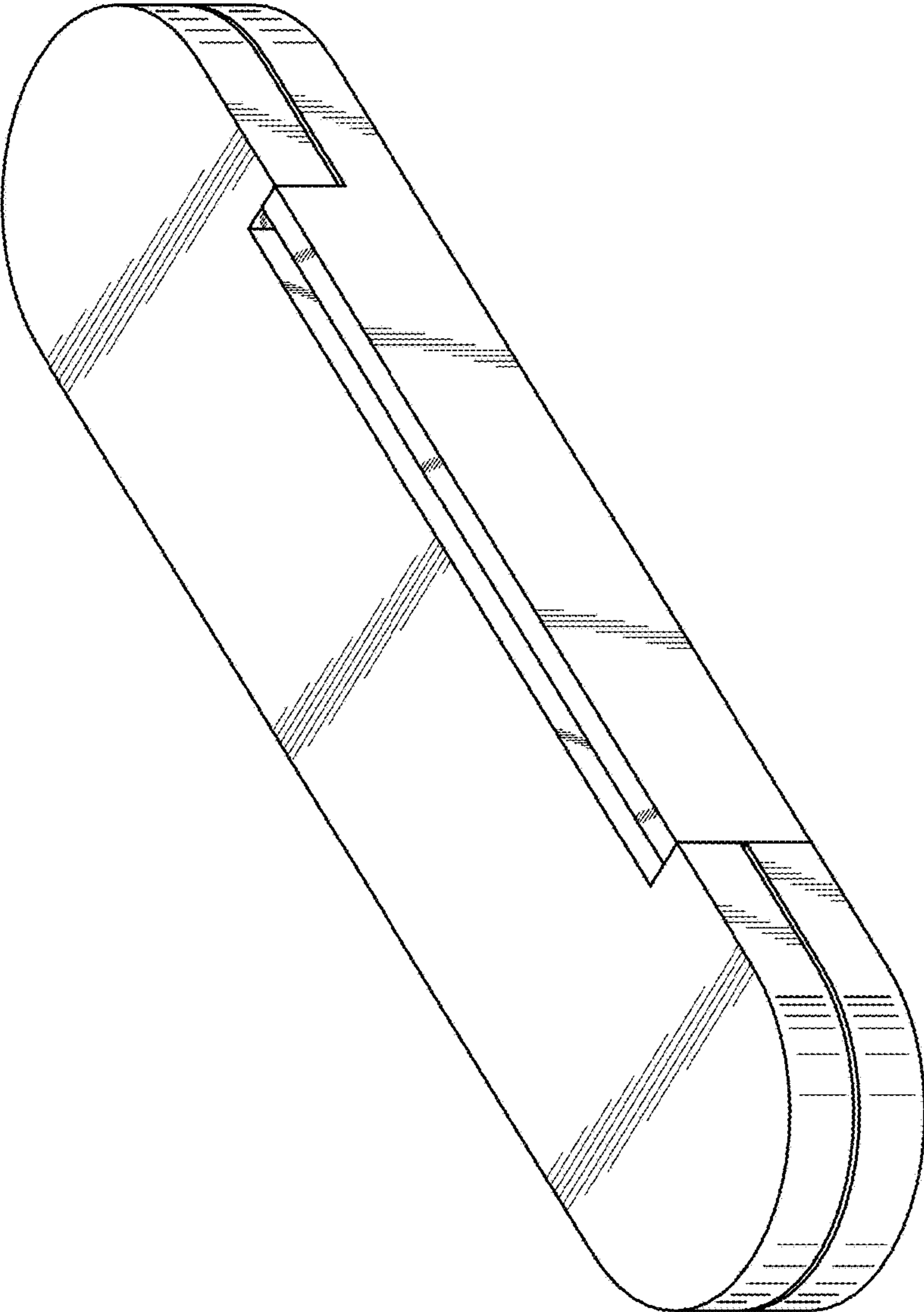


Fig. 10