



US00D778205S

(12) **United States Design Patent** (10) **Patent No.:** **US D778,205 S**
Roth (45) **Date of Patent:** **** Feb. 7, 2017**

(54) **STAND-ALONE BUTTON ASSEMBLY**

D619,927 S * 7/2010 Guyton D11/212
D736,115 S * 8/2015 Welch D11/216
D756,891 S * 5/2016 Roth D12/418

(71) Applicant: **Gentex Corporation**, Zeeland, MI (US)

* cited by examiner

(72) Inventor: **Mark R. Roth**, Grand Rapids, MI (US)

Primary Examiner — Ralf Seifert

(73) Assignee: **GENTEX CORPORATION**, Zeeland, MI (US)

(74) *Attorney, Agent, or Firm* — Price Heneveld LLP;
Bradley D. Johnson

(**) Term: **15 Years**

(21) Appl. No.: **29/544,184**

(22) Filed: **Oct. 30, 2015**

(51) **LOC (10) Cl.** **02-07**

(52) **U.S. Cl.**

USPC **D11/201**

(58) **Field of Classification Search**

USPC D11/1-2, 200-201, 206-210, 214-218,
D11/222, 226, 228; 24/163 R, 169-171,
24/173, 177-179, 191, 194-195, 197,
24/200, 614-616, 625, 198, 578.11,
24/578.1, 163 K, 114, 378.1, 379.1;
D16/200, 219, 245, 136; 224/908;
294/139; D8/394; D12/418

CPC A44B 11/26; A44B 11/25; A44B 11/06;
G03B 17/02-17/04; G03B 17/14; G03B
17/56; G03B 17/561-17/568; G03B
21/20-21/2066; G03B 15/041-15/0436;
G02B 7/02-7/04; G02B 7/14; H04N
5/2251-5/2554; F16M 11/02; F16M
11/20; F16M 11/40; B60R 7/08

See application file for complete search history.

(56) **References Cited**

U.S. PATENT DOCUMENTS

D60,292 S * 1/1922 Lindquist D11/226
D291,788 S * 9/1987 Caulkins D11/213

(57) **CLAIM**

I claim the ornamental design for a stand-alone button assembly, as shown and described.

DESCRIPTION

FIG. 1 is a front perspective view of a stand-alone button assembly of the present disclosure;

FIG. 2 is a front elevational view of the stand-alone button assembly of FIG. 1;

FIG. 3 is a rear elevational view of the stand-alone button assembly of FIG. 1;

FIG. 4 is a top plan view of the stand-alone button assembly of FIG. 1;

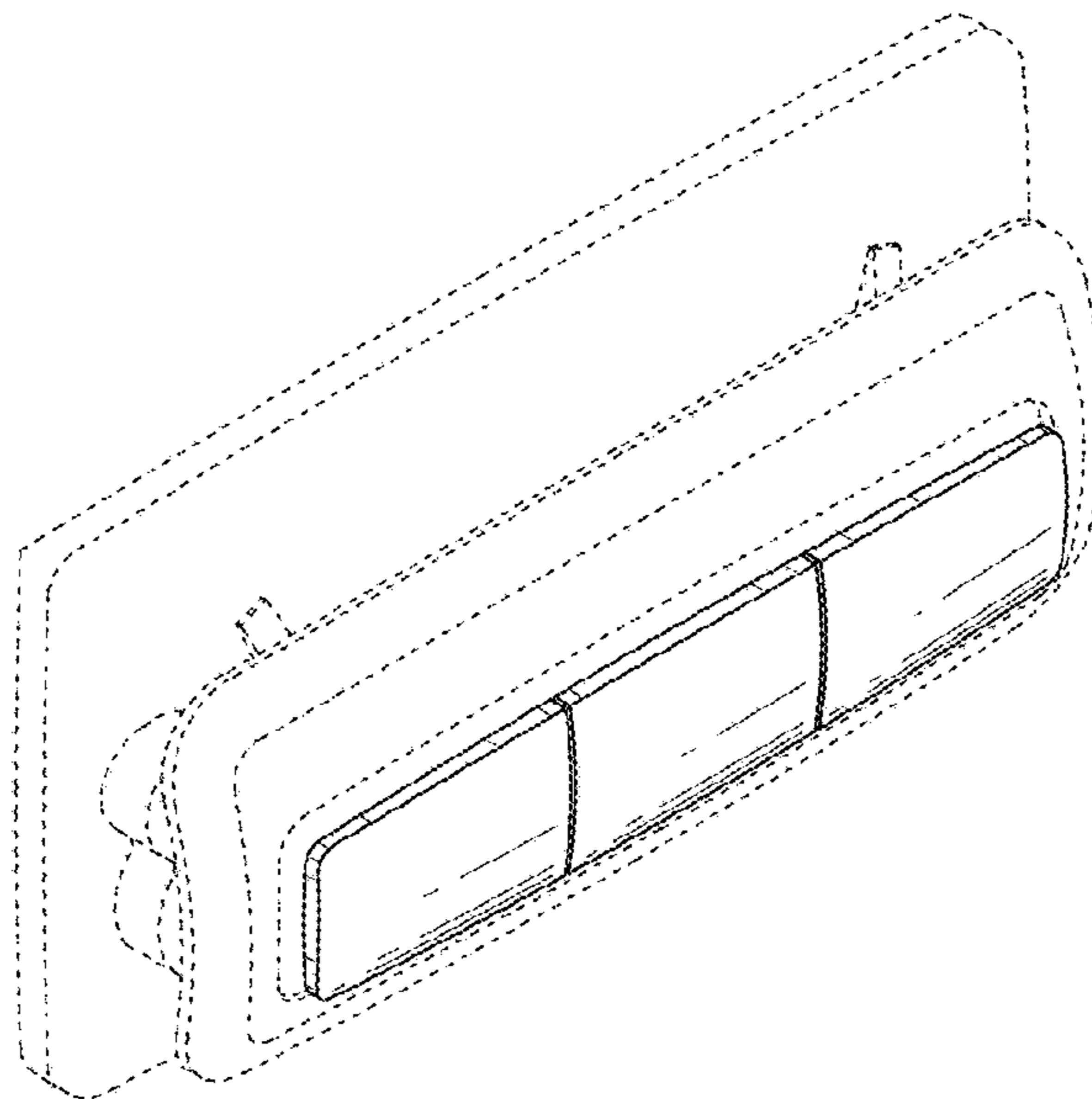
FIG. 5 is a bottom plan view of the stand-alone button assembly of FIG. 1;

FIG. 6 is a first side elevational view of the stand-alone button assembly of FIG. 1; and,

FIG. 7 is a second side elevational view of the stand-alone button assembly of FIG. 1.

Broken lines are environmental only and form no part of the claimed design.

1 Claim, 2 Drawing Sheets



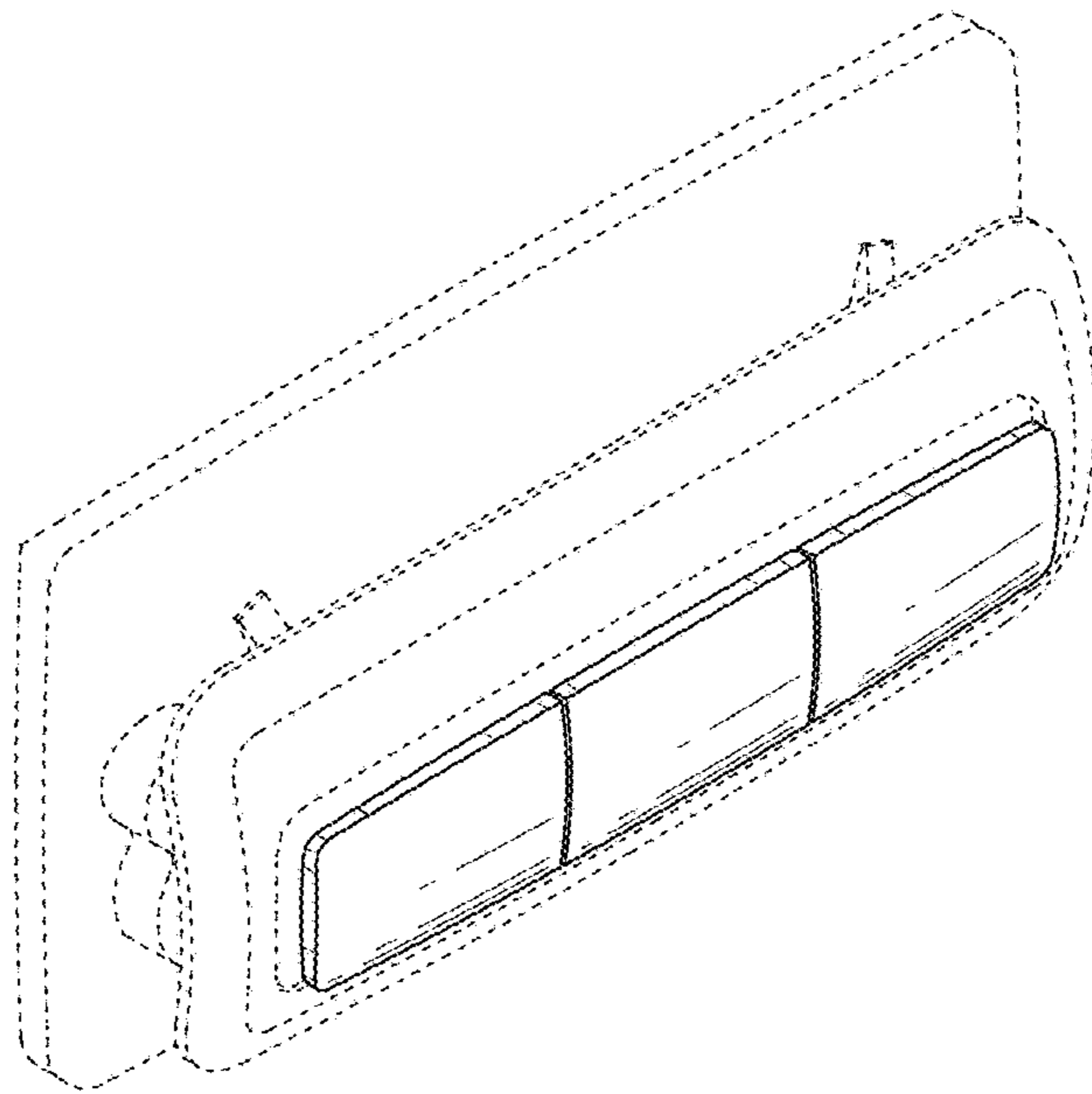


FIG. 1

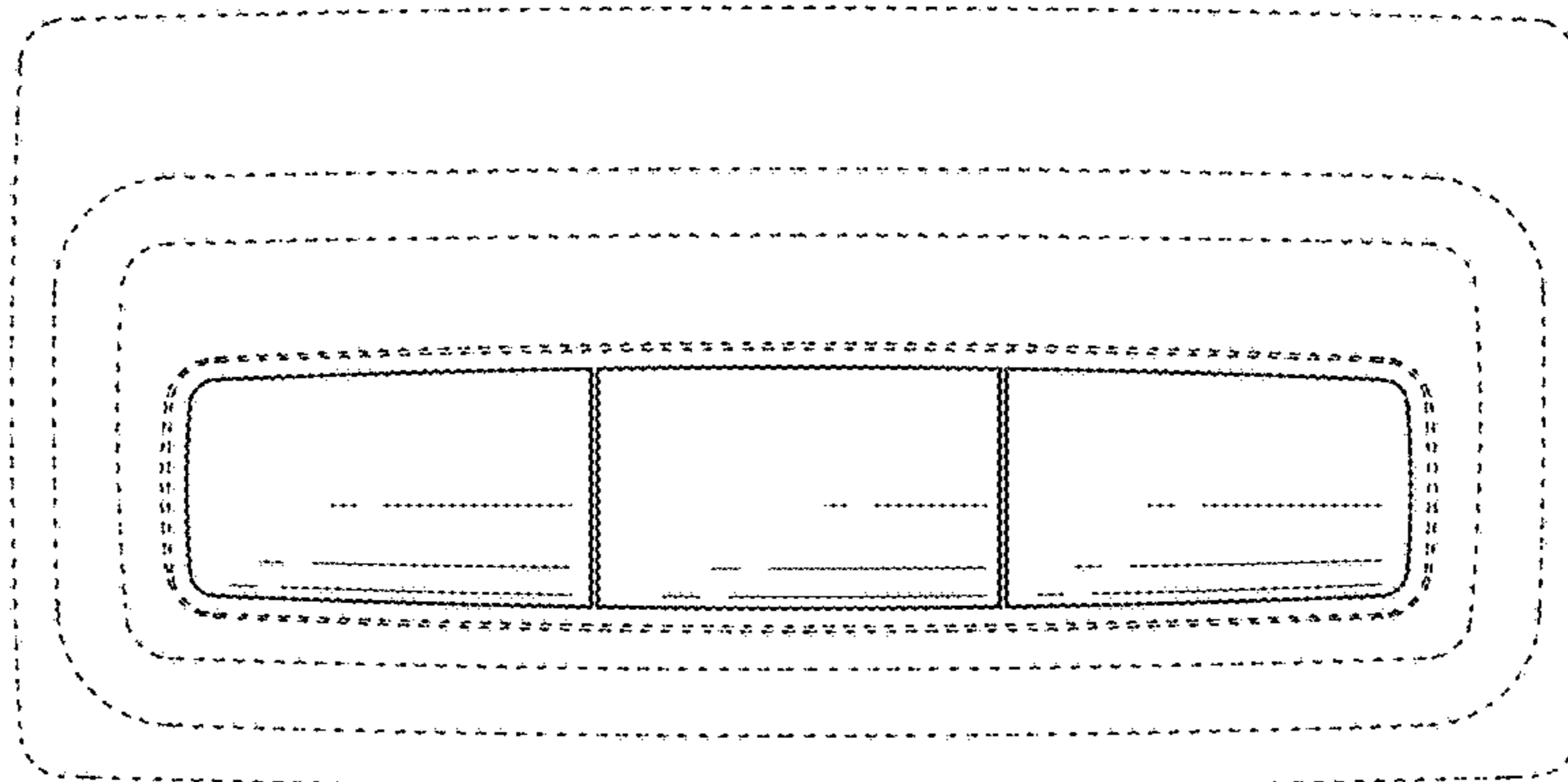


FIG. 2

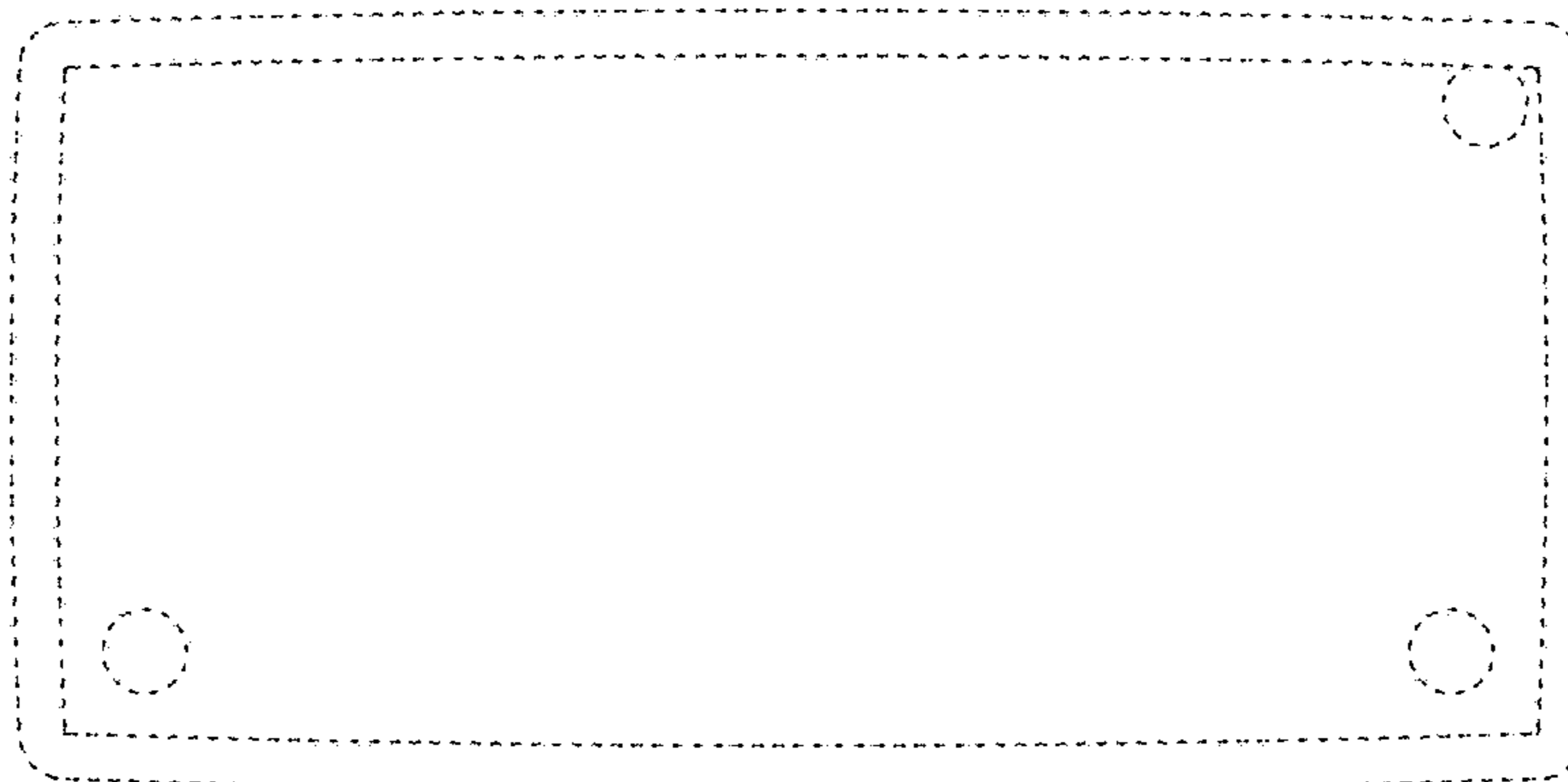


FIG. 3

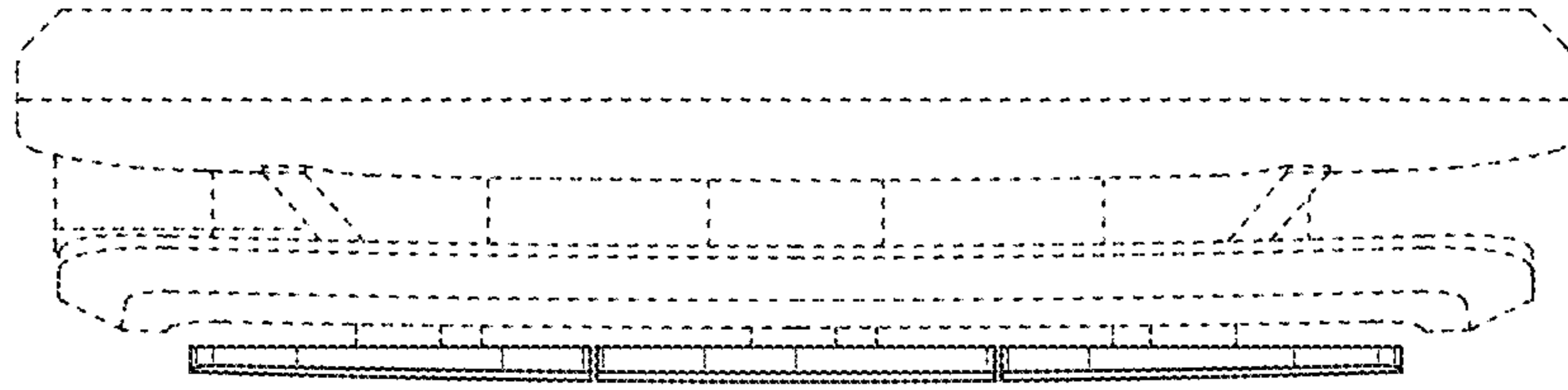


FIG. 4

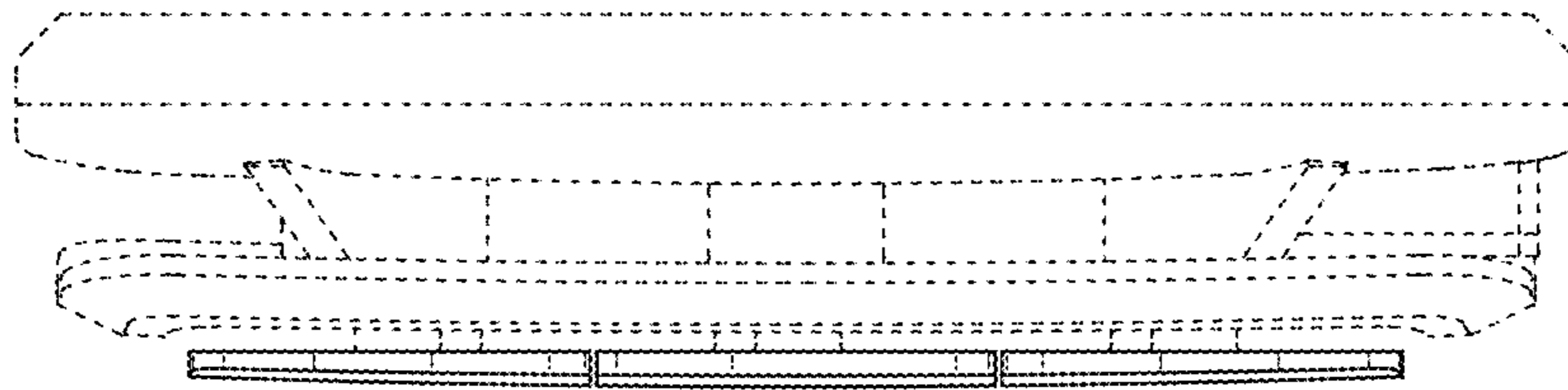


FIG. 5

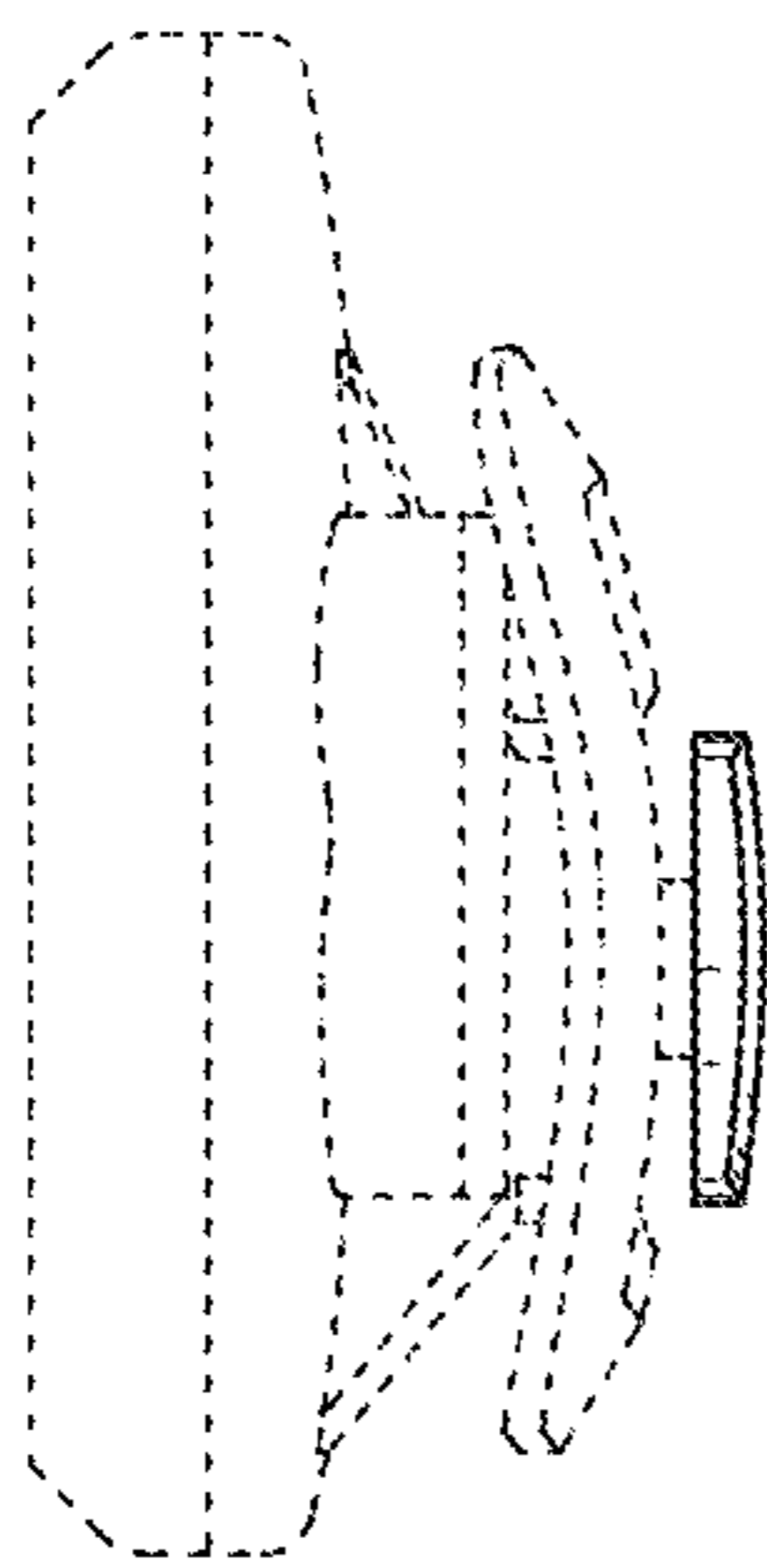


FIG. 6

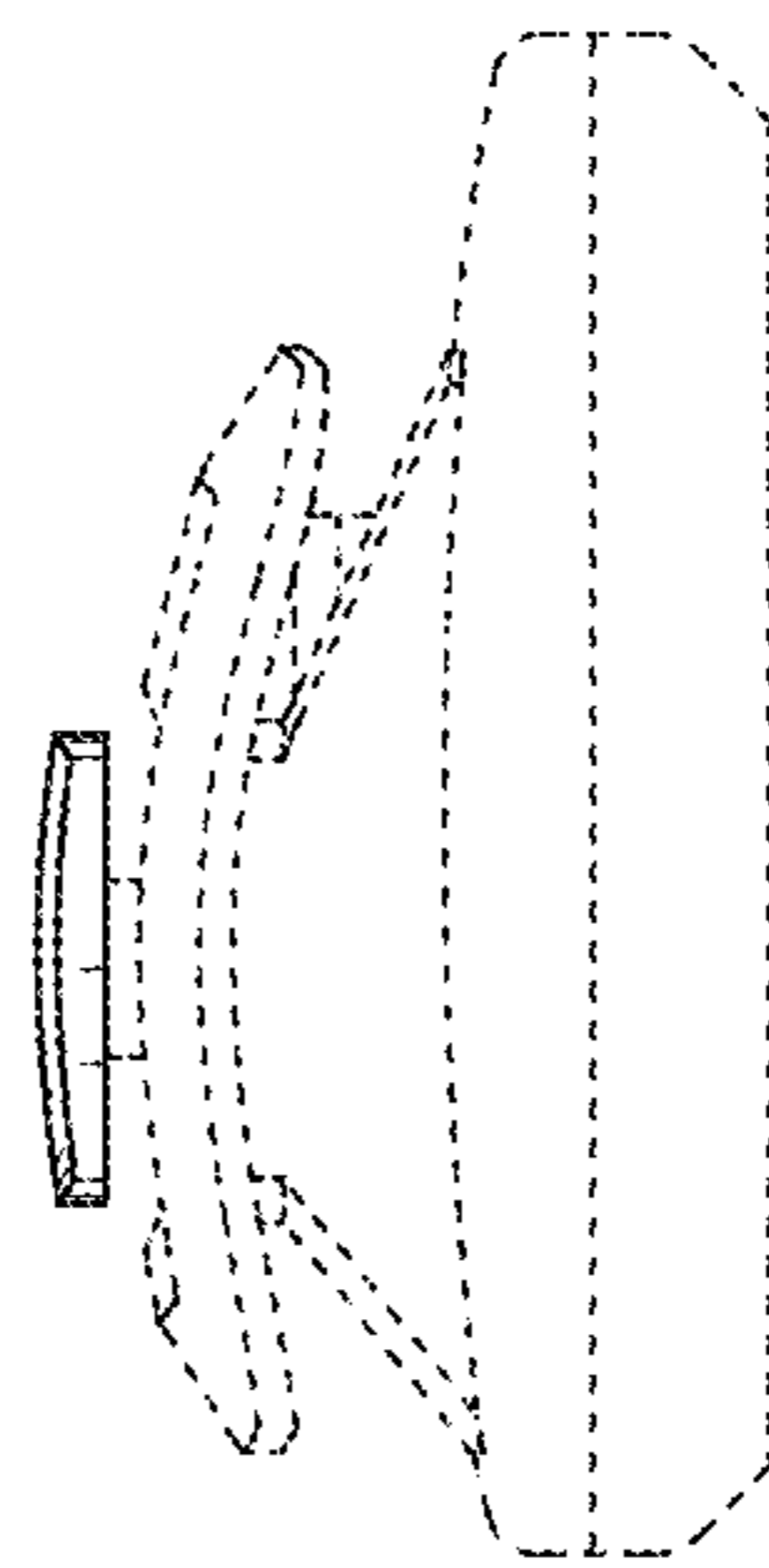


FIG. 7