



US00D778204S

(12) **United States Design Patent** (10) **Patent No.:** **US D778,204 S**
Thuma et al. (45) **Date of Patent:** **** Feb. 7, 2017**

(54) **PLANTER**
(71) Applicant: **Suncast Technologies, LLC**, Palm Beach Gardens, FL (US)
(72) Inventors: **Michael Thuma**, La Grange, IL (US); **Brian J. Russell**, North Aurora, IL (US); **Michael R. Vogler**, Oswego, IL (US)
(73) Assignee: **Suncast Technologies, LLC**, Palm Beach Gardens, FL (US)
(**) Term: **15 Years**
(21) Appl. No.: **29/533,259**
(22) Filed: **Jul. 15, 2015**
(51) **LOC (10) Cl.** **11-02**
(52) **U.S. Cl.**
USPC **D11/153**
(58) **Field of Classification Search**
USPC D6/403-405, 556-558; D11/143-156, D11/164; D7/509, 523, 532; D9/425, 428
CPC A01G 9/02; A01G 9/021; A01G 9/023; A01G 9/024; A01G 9/04
See application file for complete search history.

D228,934 S * 10/1973 Humphries D11/154
D245,643 S * 8/1977 Orfei 47/71
D248,006 S * 5/1978 Christian D7/584
D340,674 S * 10/1993 Carlson D11/152
D352,480 S * 11/1994 Carlson 47/79
D363,897 S * 11/1995 Carlson D11/152
D382,512 S * 8/1997 Hulsebus D11/152
D394,513 S * 5/1998 Davis D26/6
D548,587 S * 8/2007 DuVal D30/129
D561,021 S * 2/2008 DuVal D9/500
7,886,484 B1 * 2/2011 Chen A01G 9/02
220/640
D642,454 S * 8/2011 Santoiemmo D9/428
D713,756 S * 9/2014 Thuma D11/152
D713,757 S * 9/2014 Thuma D11/152
D717,202 S * 11/2014 Thuma D11/152
D719,056 S * 12/2014 Thuma D11/153
D740,162 S * 10/2015 Pettigrew D11/152

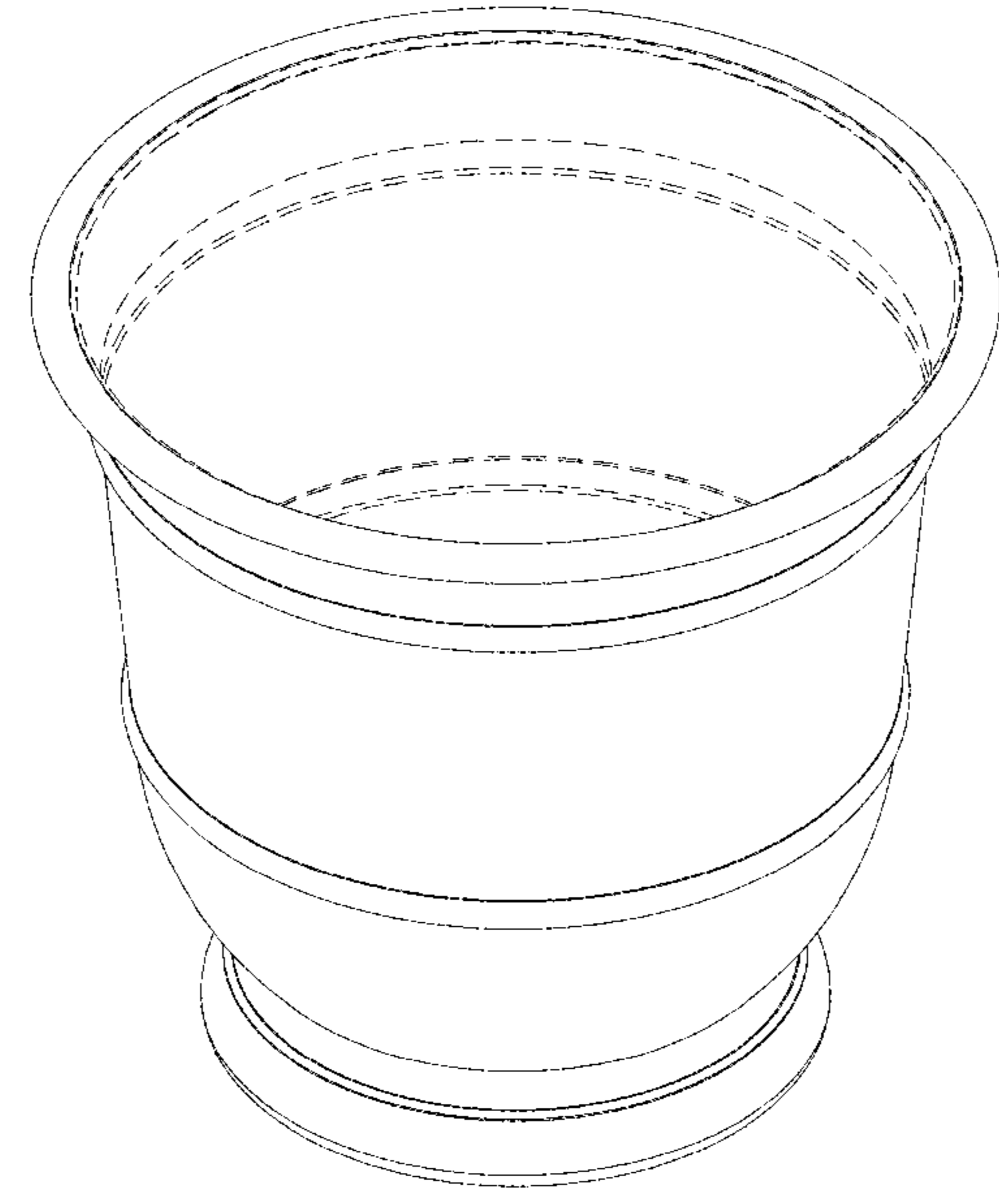
* cited by examiner
Primary Examiner — Elizabeth Albert
(74) *Attorney, Agent, or Firm* — McHale & Slavin, P.A.

(57) **CLAIM**
The ornamental design for a planter, as shown and described.

DESCRIPTION
FIG. 1 is a top perspective view of the planter of the present invention;
FIG. 2 is a front view, the rear view being a mirror image thereof;
FIG. 3 is a left side view, the right side view being a mirror image thereof;
FIG. 4 is a top view thereof; and,
FIG. 5 is a bottom view thereof.
The broken lines in the drawings illustrate portions of the planter that form no part of the claimed design.

1 Claim, 5 Drawing Sheets

(56) **References Cited**
U.S. PATENT DOCUMENTS
D20,034 S * 7/1890 Whildin 47/65.5
D20,335 S * 11/1890 Whildin 47/65.5
2,638,716 A * 5/1953 Luipersbek A01G 27/04
131/196
2,770,957 A * 11/1956 Bronson A47G 19/2283
220/23.83
3,051,303 A * 8/1962 Daanen A47G 19/26
206/776
3,307,602 A * 3/1967 Boster B65D 43/0212
206/508



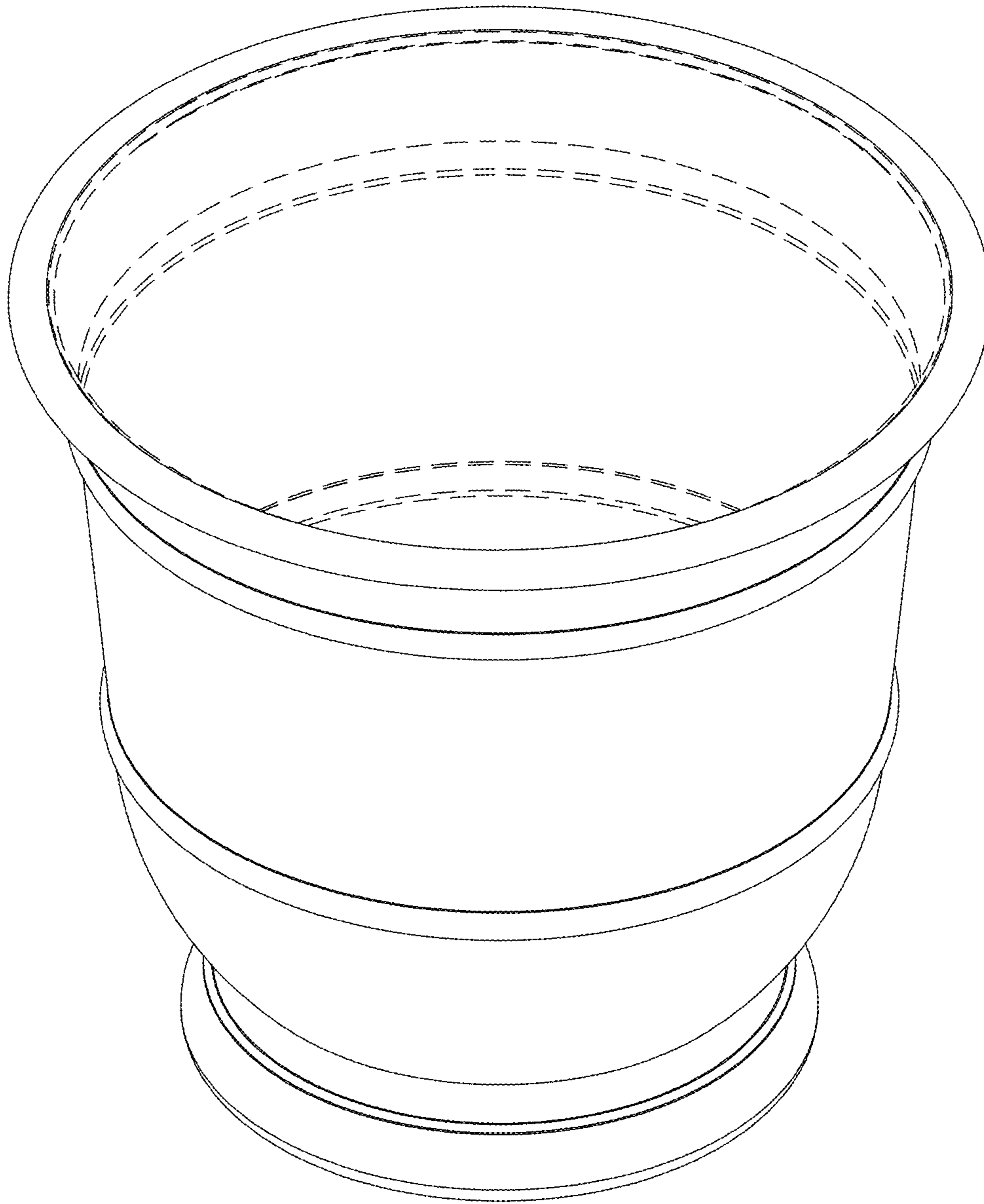


Fig. 1

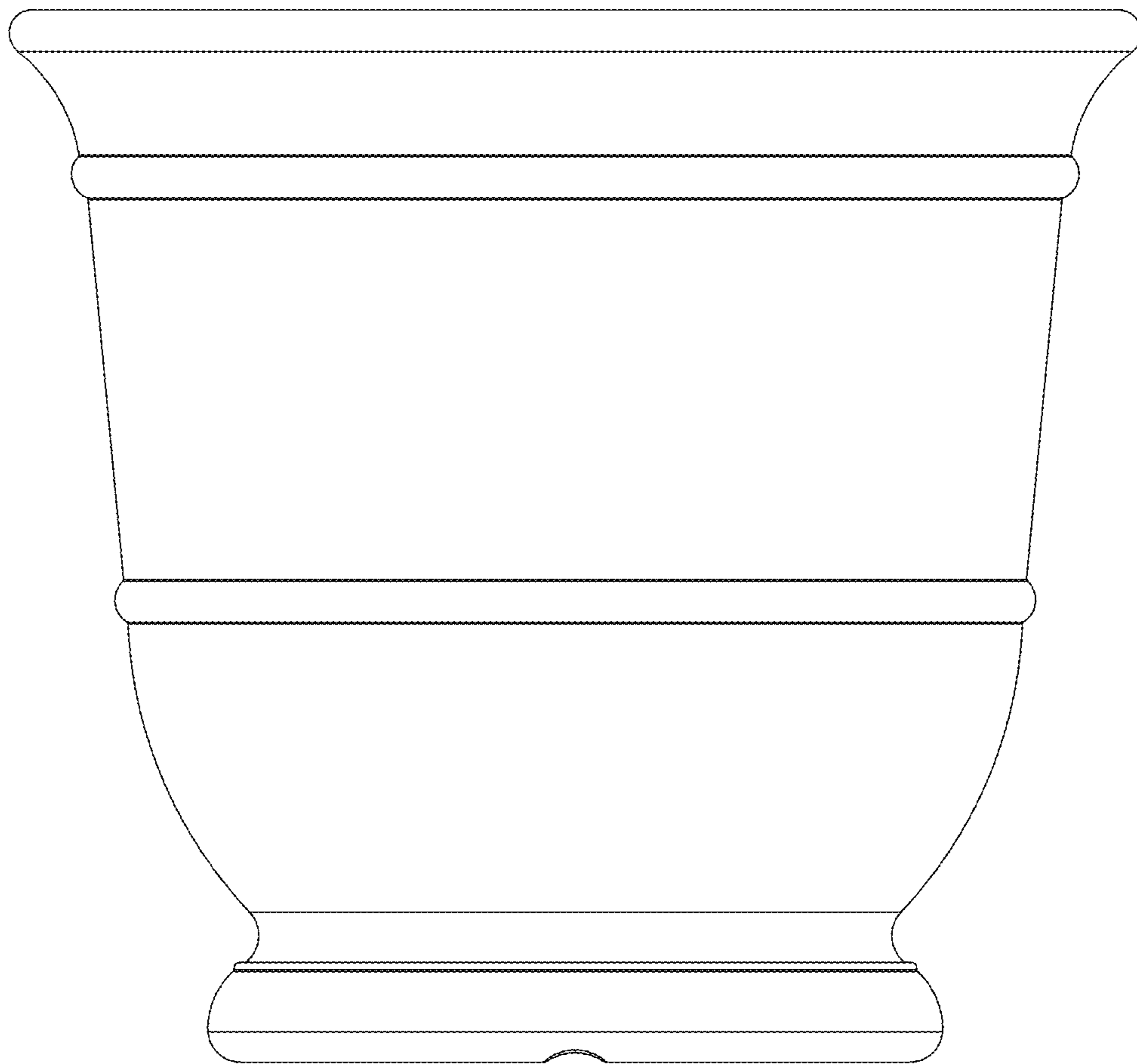


Fig. 2

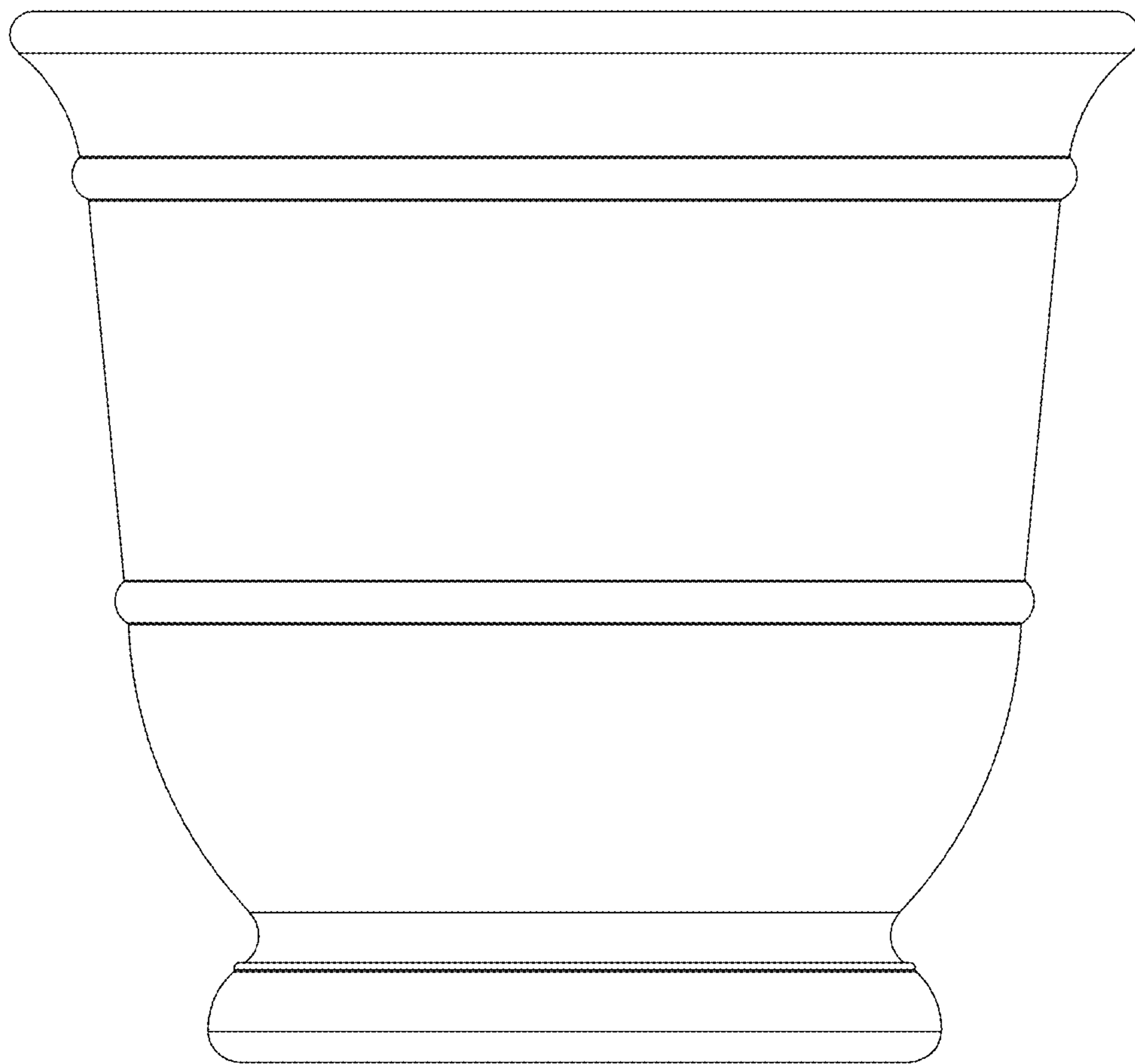


Fig. 3

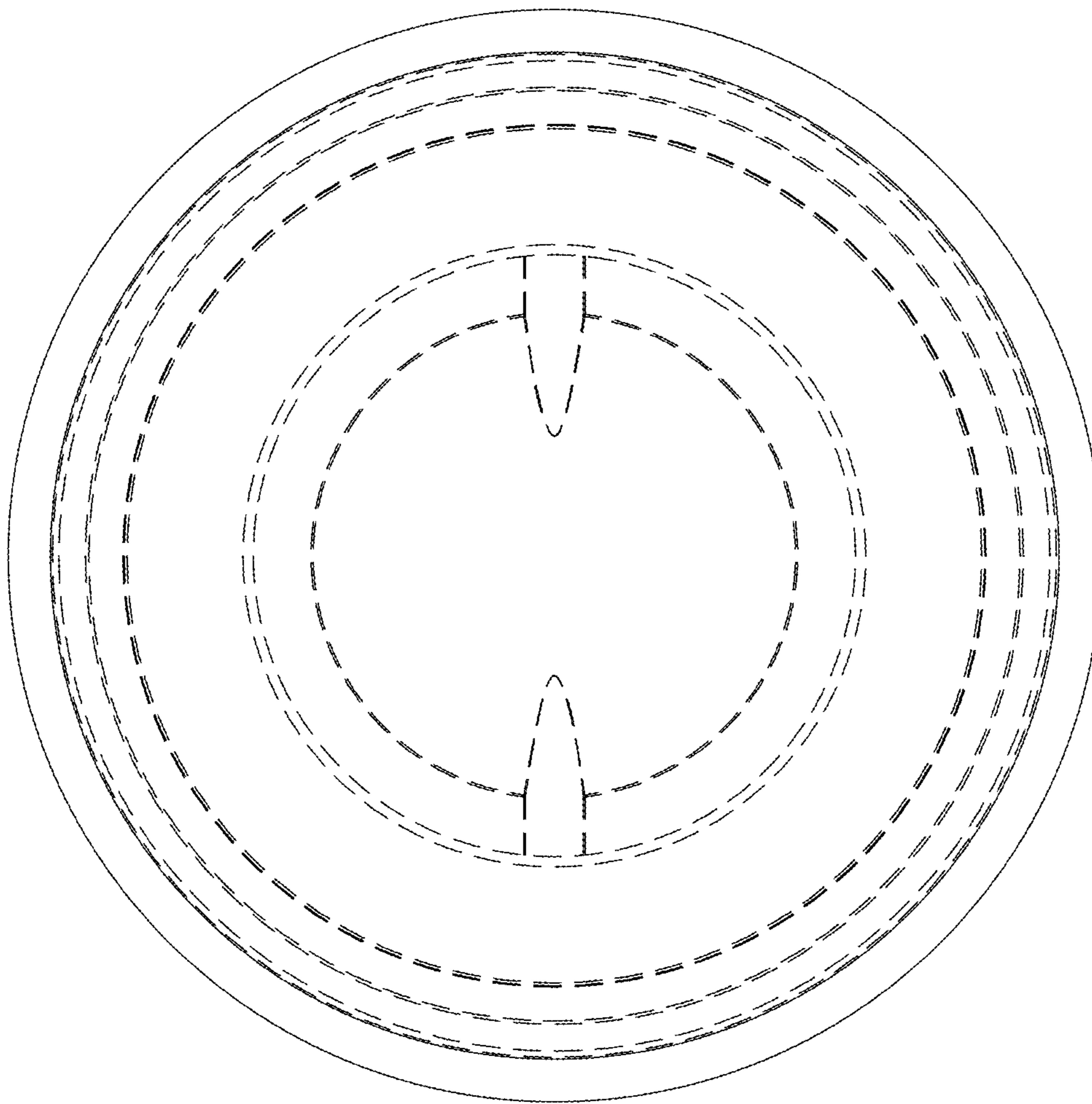


Fig. 4

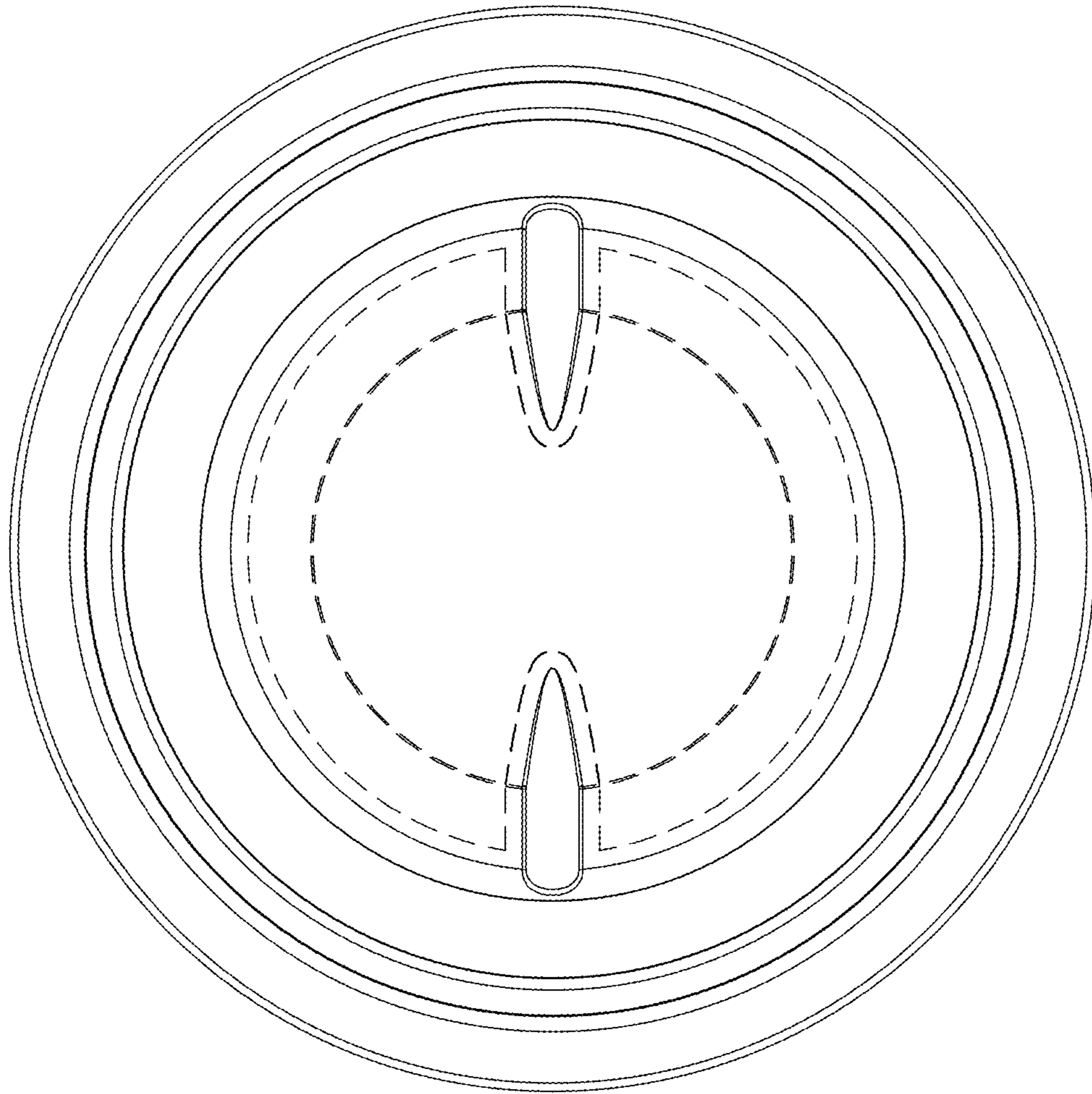


Fig. 5